



# AXIS

FORESTRY INC

722CR PARTS  
CATALOG

April 2024



**\* Reference this Serial Number when contacting  
Axis Forestry Inc. for Parts, Service &  
Tech Support**

---



# AFTERMARKET PARTS CATALOG

## **Axis Forestry Inc.**

Kamloops, BC, Canada

Post Falls, ID, U.S.A.

Toll Free North America: 1-888-678-2947

Local: 1-778-471-2947

[www.axisforestry.com](http://www.axisforestry.com)

Email: [parts@axisforestry.com](mailto:parts@axisforestry.com)

This parts catalog is produced for logging contractors who own Axis 722CR processor attachments and who own a processor that has been rebuilt by Axis Forestry Inc. Axis Forestry Inc. has no affiliation with Waratah Forestry Attachments whatsoever. All parts listed in this catalog are manufactured and provided by Axis Forestry Inc. with no affiliation with Waratah Forestry Attachments. Trademark names, marks and symbols are for customer reference purposes only.

### **Copyright 2024 Axis Forestry Inc.**

No part of this document may be duplicated or photocopied without the written permission of Axis Forestry Inc.

# CONTENTS

## GUARDS AND COVERS GROUP

Guards and Covers .....	12
-------------------------	----

## ROTATE AND TILT GROUP

Tilt .....	16
Tilt Bumpers .....	18
360° Continuous Rotation.....	20
360° Continuous Rotation Mounting.....	22

## CYLINDERS GROUP

Delimb Arm Cylinder .....	26
Feed Cylinders.....	28
Tilt Cylinder .....	30
Measuring Arm Cylinder .....	32
Main Saw Cylinder .....	34
Top Saw Cylinder.....	36

## DELIMBING GROUP

Front Knife.....	40
Delimb Arms.....	42

## FEED ARM AND FEED MOTORS GROUP

Feed Arms Pins and Bushings .....	46
Left Fixed Motor.....	48
Right Fixed Motor .....	50

## LENGTH AND DIAMETER MEASURING GROUP

Length Measuring Assembly .....	54
Length Measuring Assembly .....	56
Length Measuring Assembly .....	58
Diameter Measuring . .....	60
Measure Wheels .....	62
Find End.....	64

**COMPUTER GROUP**

**Axis Product Made to Fit TimberRite**

Head Module..... 68  
Danfoss Handles..... 70  
Axis Handles (Danfoss Type) ..... 72  
Danfoss Keypad..... 74  
Sure Grip Handles ..... 76  
Boom Cable fits TimberRite ..... 78  
Boom Cable fits Cypress Gen6 ..... 80  
Cabin Touch Screen System ..... 82  
Cabin PC Based System ..... 84  
Terminal Box ..... 86

**MAIN SAW AND TOP SAW GROUP**

Chain Oil Cap, Bar and Chain ..... 90  
Main Saw Assembly 3/4" Auto Tension..... 92  
Main Saw Cylinder Mounting..... 94  
Main Saw Motor Mounting..... 96  
Main Saw Sprocket Kit ..... 98  
Auto Tension Relief Valve ..... 100  
Main Saw Proximity Switch..... 102  
Top Saw Assembly..... 104  
Top Saw Sprocket Kit ..... 106

**VALVE BANK GROUP**

Valve Bank Mounting..... 110  
Master Seal Kit ..... 112  
Inlet Manifold..... 114  
Right Motors Manifold..... 116  
Left Motors Manifold ..... 118  
Saw Motors Manifold ..... 120  
Mid Manifold..... 122  
Feed Cylinder Manifold ..... 124  
Delimb Cylinder Manifold ..... 126  
End Manifold ..... 128  
Feed Cylinders Flow Divider Manifold ..... 130  
Case Drain Manifold..... 132

**HYDRAULIC HOSE AND FITTINGS GROUP**

Spiral Hose Wrap..... 136  
360 Continuous Rotation Hoses ..... 138  
Upper Delimb Hoses ..... 140  
Feed Cylinder Hoses..... 142  
Measuring Hoses..... 144  
Tilt Cylinder Hoses..... 146  
Main Saw Hoses ..... 148  
Top Saw Motor Hoses ..... 150  
Top Saw Cylinder..... 152  
Feed Motor Hoses..... 154  
Main Saw Hoses ..... 156

**ACCESSORIES**

Tools..... 158  
Kits..... 160  
Deustch Connector Parts ..... 162  
O-Rings ..... 164  
Plugs and Caps ..... 165







# GUARDS & COVERS

722CR Guards & Covers



\*All manufacturers names, numbers, marks, trademarks and symbols and descriptions are used for reference purposes only. Use of parts not supplied from the original manufacturer on machines under manufacturer warranty could potentially void your manufacturer warranty. Machined parts are built by Axis, not the original manufacturer.

## 722CR Guards & Covers

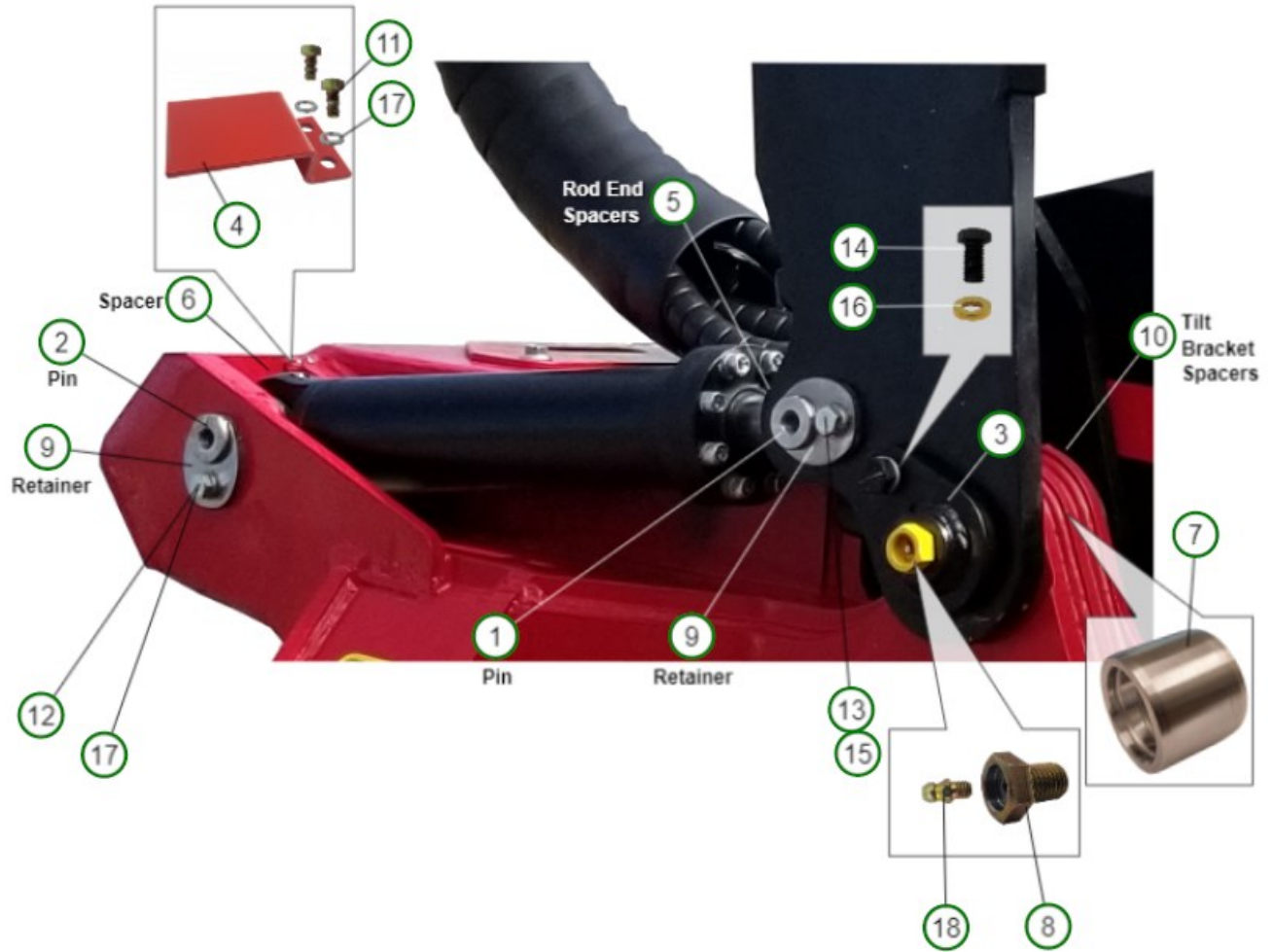
No.	Axis Part No	Qty	Description	Notes
1	GC500123	1	VALVE COVER,	W/DECAL & RUBBER DUST COVER
2	LP600822C	1	DECAL KIT FOR VALVE COVER	
3	GC129163	2	FEED ARM GUARD	
4	GC622781	1	SAW MOTOR GUARD	
5	GC622129	1	SAW CYLINDER GUARD	
6	GC622127	1	HEAD MODULE GUARD	
7	GC128161	1	MEASURE ARM GUARD SN# -281	
	GC129176	1	MEASURE ARM GUARD SN# 282+	
8	GC100104	1	OIL FILL CAP	
9	R24642A	1	OIL FILL CAP ORING	

\*All manufacturers names, numbers, marks, trademarks and symbols and descriptions are used for reference purposes only.  
Use of parts not supplied from the original manufacturer on machines under manufacturer warranty could potentially void your  
manufacturer warranty. Machined parts are built by Axis, not the original manufacturer.





**ROTATE & TILT**



\*All manufacturers names, numbers, marks, trademarks and symbols and descriptions are used for reference purposes only. Use of parts not supplied from the original manufacturer on machines under manufacturer warranty could potentially void your manufacturer warranty. Machined parts are built by Axis, not the original manufacturer.

## 722CR Tilt

No.	Axis Part No	Qty	Description	Notes
1	PN242135	1	PIN	
2	PN242167	1	PIN	
3	PN313154	1	PIN	
4	GC622117	1	GUARD, TILT CYLINDER HOSE	
5	BW643810	2	STEEL WASHER	
6	BW643812	2	SPACER	
7	BW645053	1	BUSHING	
8	MP360024	1	GREASABLE BOLT	
9	MR242578	1	PIN RETAINER, 5/16" THICK	
10	MR401389	1	SPACER, 5MM	
11	GFB1500100	2	BOLT, 1/2" X 1" UNC HEX HEAD	
12	GFB71225	1	BOLT, M12 X 25 HEX HEAD	
13	GFB71235	1	BOLT, M12 X 35MM HEX HEAD	
14	GFB71635	1	BOLT, M16 X 35MM HEX HEAD	
15	GFW1500	1	WASHER, 1/2" HARDENED	
16	GFW1625	1	WASHER, 5/8" HARDENED	
17	GFW5500	2	ANTI-VIBRATION LOCKWASHER 1/2" (M12)	
18	GFZ6	1	M6 GREASE FITTING	

\*All manufacturers names, numbers, marks, trademarks and symbols and descriptions are used for reference purposes only. Use of parts not supplied from the original manufacturer on machines under manufacturer warranty could potentially void your manufacturer warranty. Machined parts are built by Axis, not the original manufacturer.

## 722CR Tilt Bumpers



\*All manufacturers names, numbers, marks, trademarks and symbols and descriptions are used for reference purposes only. Use of parts not supplied from the original manufacturer on machines under manufacturer warranty could potentially void your manufacturer warranty. Machined parts are built by Axis, not the original manufacturer.

## 722CR Tilt Bumpers

No.	Axis Part No	Qty	Description	Notes
1	MR561042	3	BUMPER	
2	MR561044	2	BUMPER, TILT	
3	GFN4500	6	NYLOCK NUT, 1/2" UNC	
4	GFB81240	4	BOLT, 1/2" X 40MM SOCKET HEAD	
5	PN100135	1	PIN, LOCKING	

\*All manufacturers names, numbers, marks, trademarks and symbols and descriptions are used for reference purposes only. Use of parts not supplied from the original manufacturer on machines under manufacturer warranty could potentially void your manufacturer warranty. Machined parts are built by Axis, not the original manufacturer.



Continuous Rotation Assembly

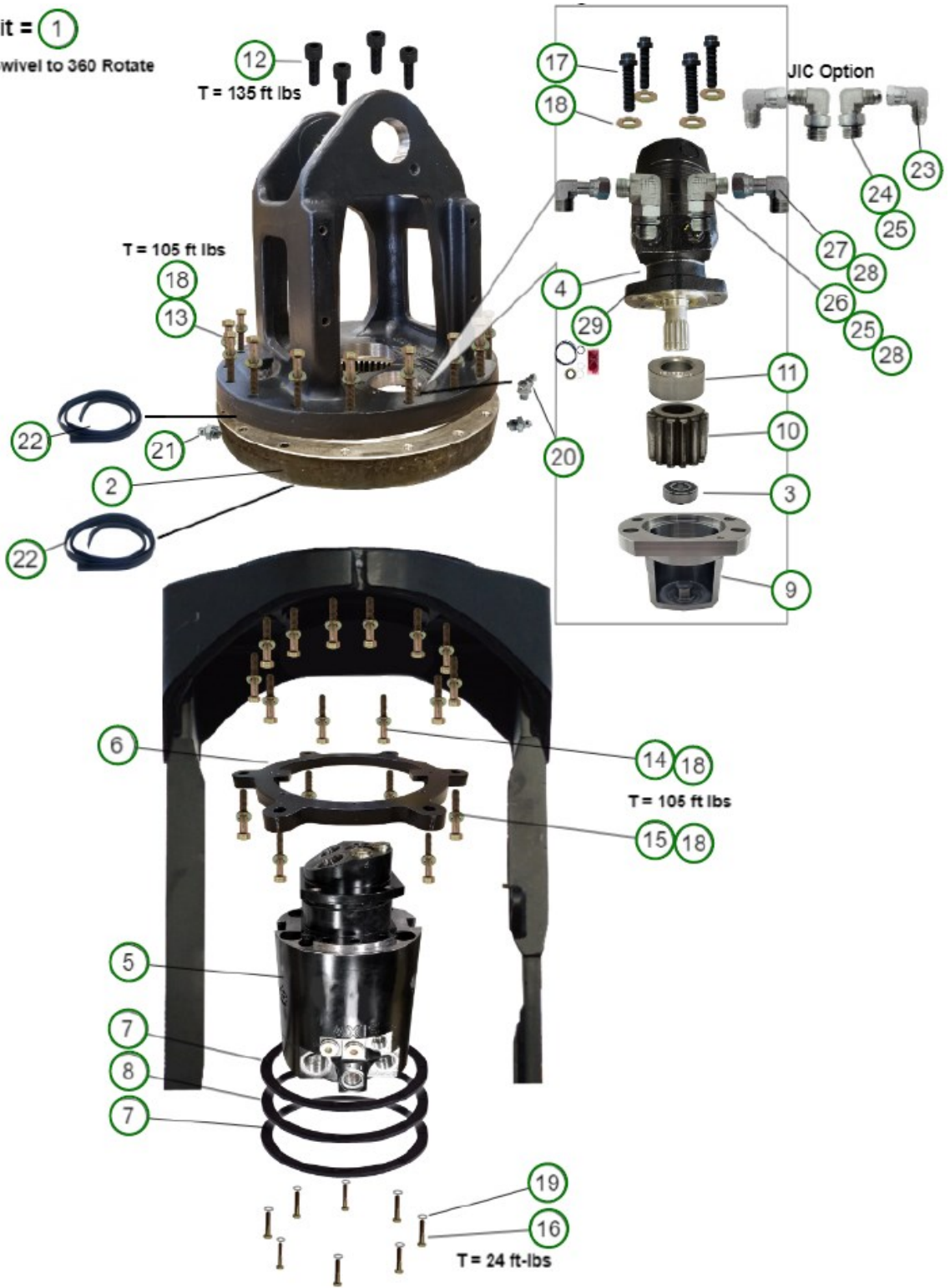
No.	Axis Part No	Qty	Description	Notes
1	MT540015	1	HYDRAULIC MOTOR 360° ROTATE	
2	HF2080-12-12	1	FITTING - #12 MALE JIC #12 MALE ORB STRAIGHT	
3	HF2080-12-12	2	FITTING - #12 MALE JIC #12 MALE ORB STRAIGHT	
4	HF2080-20-20	2	FITTING - #20 MALE JIC X #20 MALE ORB	
5	HF2939-8-8	2	FITTING - #8 JIC MALE X #8 JIC FEMALE 90°	
6	HF4969-8-10	2	FITTING - #8 MALE ORFS X #10 MALE ORB 90°	
7	HF2989-8-10	2	FITTING - #8 MALE JIC X #10 ORB MALE 90°	
8	HF6979-8-8	2	FITTING - #8 ORFS MALE X #8 ORFS FEMALE 90°	
9	HF6080-16-16	2	FITTING - #16 MALE ORFS #16 MALE ORB	
10	RT100110	1	SPECIAL FITTING FOR ELECTRICAL ON 360° RO-	
11	RT110812	1	RUBBER SEAL	
12	RT110925	2	PLATE FOR RUBBER SEAL	
13	RT130938	1	TABBED PLATE	
14	RT200101	1	ROTATE PINION SUPPORT	
15	RT200102	1	ROTATE PINION GEAR	
16	RT540940	1	360° ROTATE MANIFOLD	
17	RT540941	1	360° ROTATE MANIFOLD SEAL KIT	
18	RT540942	1	360° ROTATE MANIFOLD ELECTRICAL SERVICE	
19	RT663428	1	SPACER - 360° ROTATE PINION	
20	BR115756	1	BEARING - ROTATE HOUSING	
21	BR115761	1	ROTATE BEARING	
22				
23	GFB1312125	8	BOLT - 5/16" X 1.25" UNC HEX	
24	GFB1500250	18	BOLT - 1/2" X 2.5" UNC HEX	
25	GFB1500300	18	BOLT - 1/2" X 3" UNC HEX	
26	GFB1500350	6	BOLT - 1/2" X 3.5" UNC HEX	
27	GFB81650	4	BOLT - M16 X 50 SOCKET HEAD	
28	GFB94500200	4	BOLT - 1/2" X 2" 12 POINT HEAD	
29	GFW1500	40	WASHER - 1/2" HARDENED	
30	GFW5312	8	ANTI-VIBRATION LOCKWASHER 5/16"	
31	GFZ18P	2	ZERK FITTING 1/8" PIPE	
32	SK540015	1	SEAL KIT	
33	SK170100	2	SEAL - ROTATE BEARING	
34	R24323C	3	O-RING	
35	R24330C	1	O-RING	
36	ORB3-912	1	O-RING #12 ORB	
37	ORB3-916	1	O-RING #16 ORB	
38	ORB3-920V	1	O-RING #20 ORB	

\*All manufacturers names, numbers, marks, trademarks and symbols and descriptions are used for reference purposes only. Use of parts not supplied from the original manufacturer on machines under manufacturer warranty could potentially void your manufacturer warranty. Machined parts are built by Axis, not the original manufacturer.

Continuous Rotation–Mounting

**Conversion Kit = 1**

Update from 270 Swivel to 360 Rotate



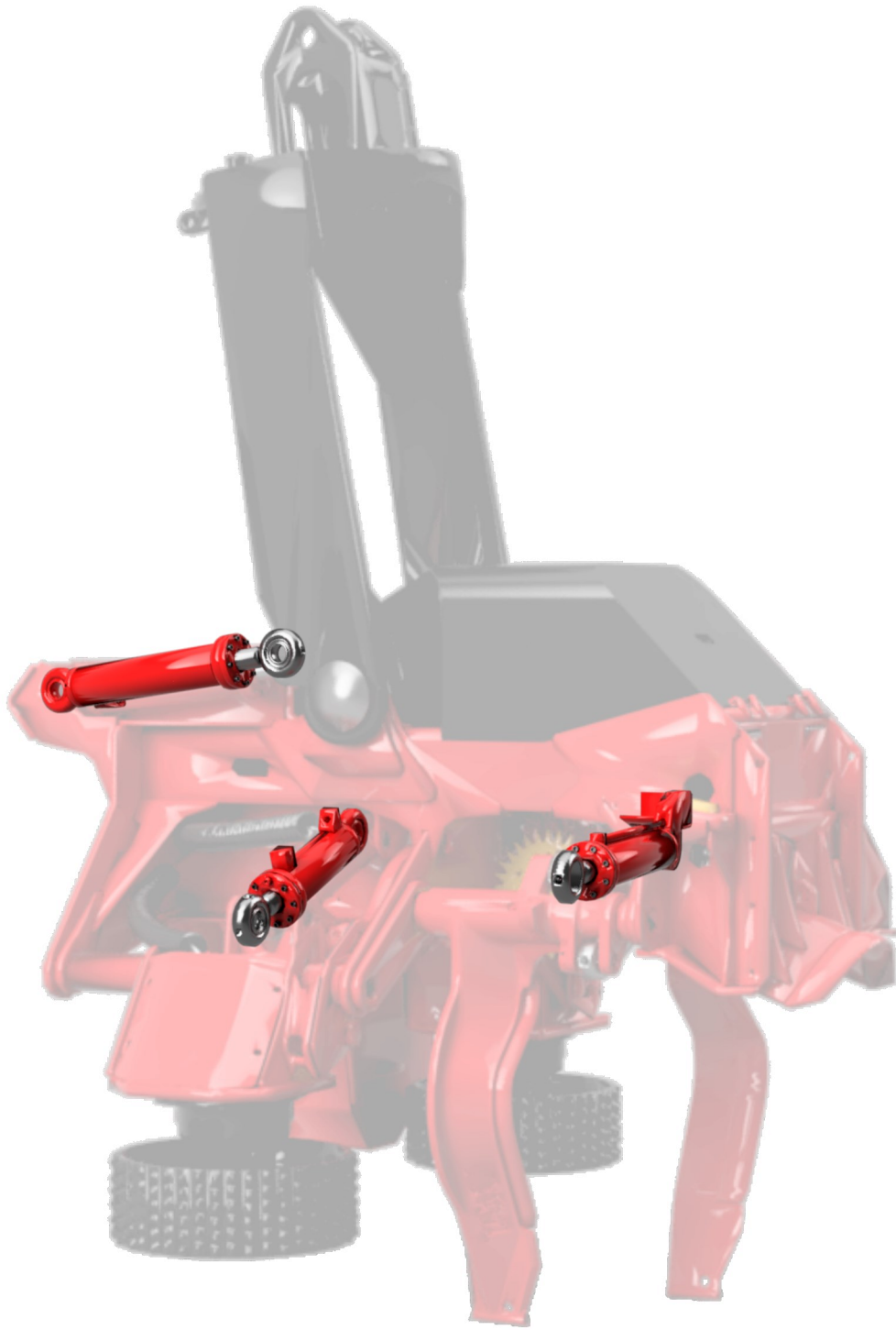
\*All manufacturers names, numbers, marks, trademarks and symbols and descriptions are used for reference purposes only. Use of parts not supplied from the original manufacturer on machines under manufacturer warranty could potentially void your manufacturer warranty. Machined parts are built by Axis, not the original manufacturer.

Continuous Rotation–Mounting

No.	Axis Part No	Qty	Description	Notes
1	RT100109	1	360 ROTATE FIELD ASSEMBLY KIT	
2	BR115761	1	ROTATE BEARING	
3	BR115756	1	BEARING, ROTATE HOUSING	
4	MT540015	1	HYDRAULIC MOTOR, 360 ROTATE	USES SEAL KIT SK540015
5	RT130938	1	360 ROTATE MANIFOLD, 5 PORT	
6	RT130938	1	TABBED PLATE	
7	RT110925	1	PLATE FOR RUBBER SEAL	
8	RT110812	1	RUBBER SEAL	
9	RT200101	1	ROTATE PINION SUPPORT	
10	RT200102	1	ROTATE PINION GEAR	
11	RT663428	1	SPACER, 360 ROTATE PINION	
12	GFB81650		BOLT, M16 X 50MM SOCKET HEAD	
13	GFB1500250		BOLT, 1/2" X 2.5" UNC HEX HEAD	
14	GFB1500300		BOLT, 1/2" X 3" UNC HEX HEAD	
15	GFB1500350		BOLT, 1/2" X 3.5" UNC HEX HEAD	
16	GFB1312125		BOLT, 5/16" X 1.25" UNC HEX HEAD	
17	GFB94500200		BOLT, 1/2" X 2" 12 POINT HEAD	
18	GFW1500		WASHER, 1/2" HARDENED	
19	GFW5312		ANTIVIBRATION LOCKWASHER, 5/16" (M8)	
20	GFZ14P45		GREASE FITTING, 1/4" X 45 DEGREE	
21	GFZ18P		ZERK FITTING, 1/8" PIPE	
22	SK170100	1	SEAL, ROTATE BEARING	
23	HF2939-8-8		FITTING, #8 JIC MALE X #8 JIC FEMALE 90	
24	HF2989-8-10		FITTING, #8 JIC MALE X #10 ORB MALE 90	USES O-RING R24323C
25	ORB3-910		#10 ORB O-RING	
26	HF4969-8-10		FITTING, #8 BSO MALE X #10 ORFS MALE 90	
27	HF6979-8-8		FITTING, #8 ORFS MALE X #8 ORFS FEMALE 90	
28	R24323C		O-RING	
29	SK540015	1	SEAL KIT FOR MT540015 MOTOR	

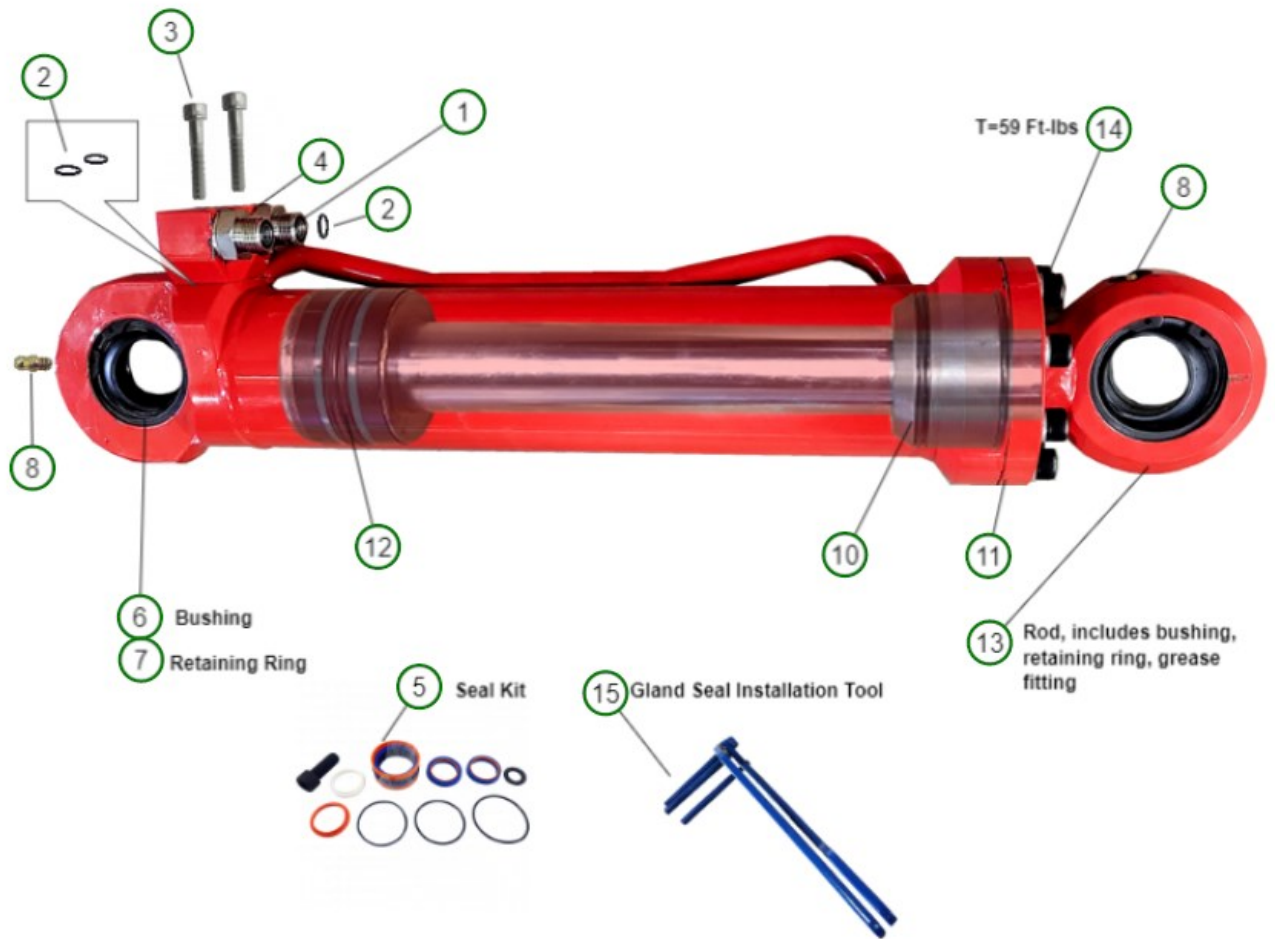
\*All manufacturers names, numbers, marks, trademarks and symbols and descriptions are used for reference purposes only. Use of parts not supplied from the original manufacturer on machines under manufacturer warranty could potentially void your manufacturer warranty. Machined parts are built by Axis, not the original manufacturer.





# CYLINDERS GROUP

Delimb Cylinder



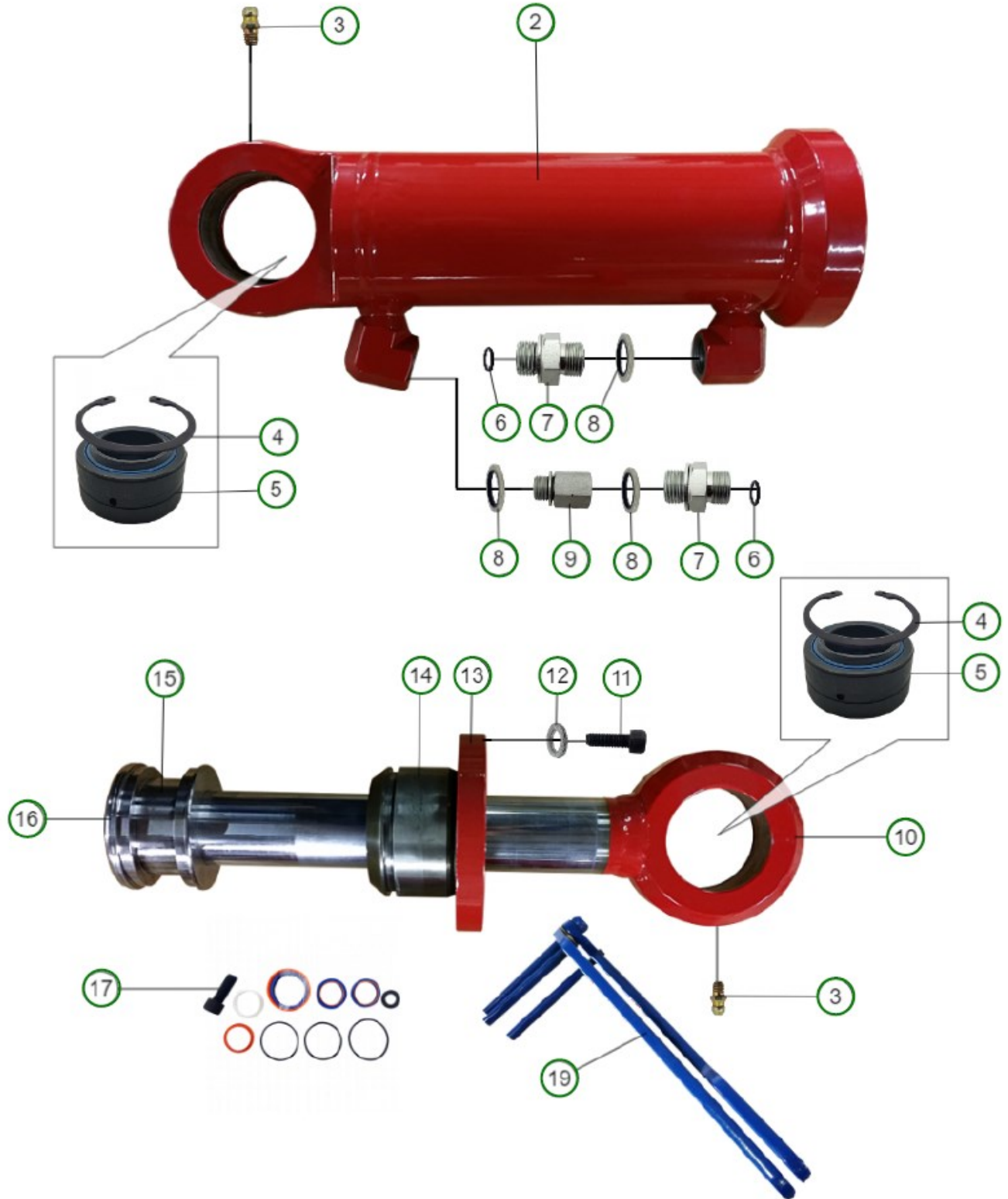
\*All manufacturers names, numbers, marks, trademarks and symbols and descriptions are used for reference purposes only. Use of parts not supplied from the original manufacturer on machines under manufacturer warranty could potentially void your manufacturer warranty. Machined parts are built by Axis, not the original manufacturer.

Delimb Cylinder

No.	Axis Part No	Qty	Description	Notes
1	CW115105	1	COMPLETE CYLINDER	
1	HF4060-8-8	2	FITTING, #8 BSP MALE X #8 ORFS MALE	
2	R24323C	2	O-RING, #8 ORFS	
3	GFB80845	2	BOLT, M8 X 45MM SOCKET HEAD	
4	BSP8	2	BONDED SEAL, #8 (1/2")	
5	SK400704	1	SEAL KIT	
6	SBB24-2RS/Z	1	SPHERICAL BUSHING	
7	GFS592	1	SNAP RING	
8	GFZ6	1	GREASE FITTING, M6	
10	CW415400	1	CYLINDER GLAND	
11	CW615600	1	CYLINDER CAP	
12	CW515500	1	CYLINDER PISTON	
13	CW315305	1	CYLINDER ROD	
14	GFB81030		BOLT, M10 X 30MM SOCKET HEAD	
15	AT100103	1	GLAND SEAL INSTALLATION TOOL	

\*All manufacturers names, numbers, marks, trademarks and symbols and descriptions are used for reference purposes only. Use of parts not supplied from the original manufacturer on machines under manufacturer warranty could potentially void your manufacturer warranty. Machined parts are built by Axis, not the original manufacturer.

Feed Arms Cylinders



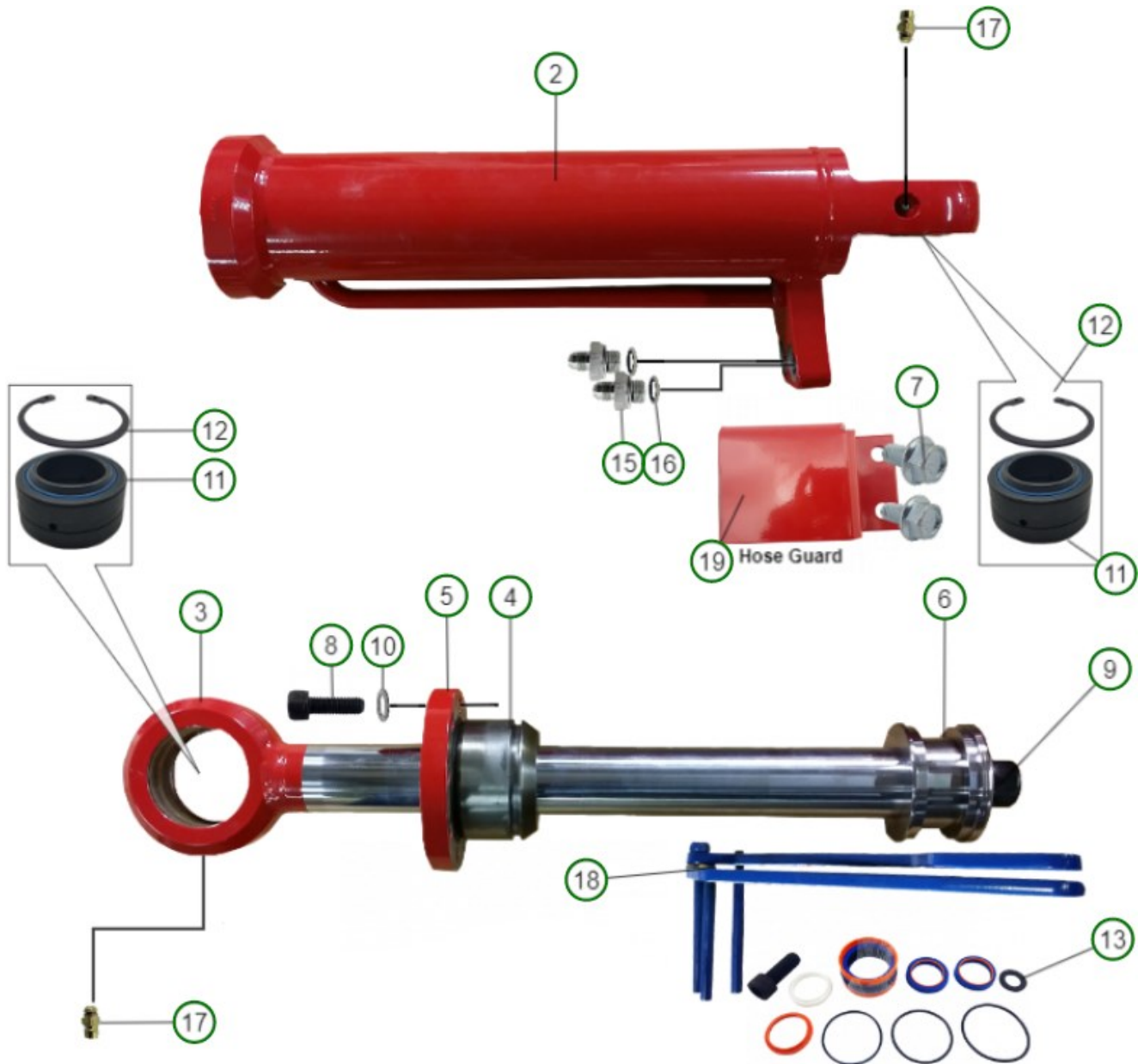
\*All manufacturers names, numbers, marks, trademarks and symbols and descriptions are used for reference purposes only. Use of parts not supplied from the original manufacturer on machines under manufacturer warranty could potentially void your

Feed Arms Cylinders

No.	Axis Part No	Qty	Description	Notes
1	CW120100	1	COMPLETE CYLINDER	
2	CW220200	1	BARREL	
3	GFZ6	1	GREASE FITTING, M6	
4	GFS592	1	SNAP RING	
5	SBB24-2RS/Z	1	SPHERICAL BUSHING	
6	R24323C	2	O-RING, #8 ORFS	
7	HF4060-8-8	2	FITTING, #8 BSP MALE X #8 ORFS MALE	
8	BSP8	2	BONDED SEAL, #8 (1/2")	
9	HF4050-8-8	1	FITTING, #8 BSP MALE X #8 BSP FEMALE SOLID	
10	CW320300	1	ROD	
11	GFB81030	1	BOLT, M10 X 30MM SOCKET HEAD	
12	GFW5375	1	ANTIVIBRATION LOCKWASHER, 3/8" (M10)	
13	CW615600	1	CAP	
14	CW415400	1	GLAND	
15	CW515500	1	PISTON	
16	GFB82055		BOLT, M20 X 55MM SOCKET HEAD	
17	SK400704	1	SEAL KIT	
19	AT100103	1	GLAND SEAL INSTALLATION TOOL	

\*All manufacturers names, numbers, marks, trademarks and symbols and descriptions are used for reference purposes only. Use of parts not supplied from the original manufacturer on machines under manufacturer warranty could potentially void your manufacturer warranty. Machined parts are built by Axis, not the original manufacturer.

Tilt Cylinder



\*All manufacturers names, numbers, marks, trademarks and symbols and descriptions are used for reference purposes only. Use of parts not supplied from the original manufacturer on machines under manufacturer warranty could potentially void your manufacturer warranty. Machined parts are built by Axis, not the original manufacturer.

# Tilt Cylinder

No.	Axis Part No	Qty	Description	Notes
1	CW125100	1	COMPLETE CYLINDER	
2	CW225200	1	BARREL	
3	CW315300	1	ROD	
4	CW415400	1	GLAND	
5	CW615600	1	CAP	
6	CW515500	1	PISTON	
7	GFB1500100FL	2	BOLT, 1/2" X 1" UNC SERRATED FLANGE	
8	GFB81030	1	BOLT, M10 X 30MM SOCKET HEAD	
9	GFB82055	1	BOLT, M20 X 55MM SOCKET HEAD	
10	GFW5375	1	ANTIVIBRATION LOCKWASHER, 3/8" (M10)	
11	SBB24-2RS/Z	1	SPHERICAL BUSHING	
12	GFS592	1	SNAP RING	
13	SK400704	1	SEAL KIT	NEW STYLE
14	SK400504	1	SEAL KIT	OLD STYLE
15	HF2040-6-6	2	FITTING, #6 JIC MALE X #6 BSP MALE	
16	BSP6	2	BONDED SEAL	
17	GFZ14P	1	GREASE FITTING, 1/4-28	
18	AT100103	1	GLAND SEAL INSTALLATION TOOL	

\*All manufacturers names, numbers, marks, trademarks and symbols and descriptions are used for reference purposes only. Use of parts not supplied from the original manufacturer on machines under manufacturer warranty could potentially void your manufacturer warranty. Machined parts are built by Axis, not the original manufacturer.

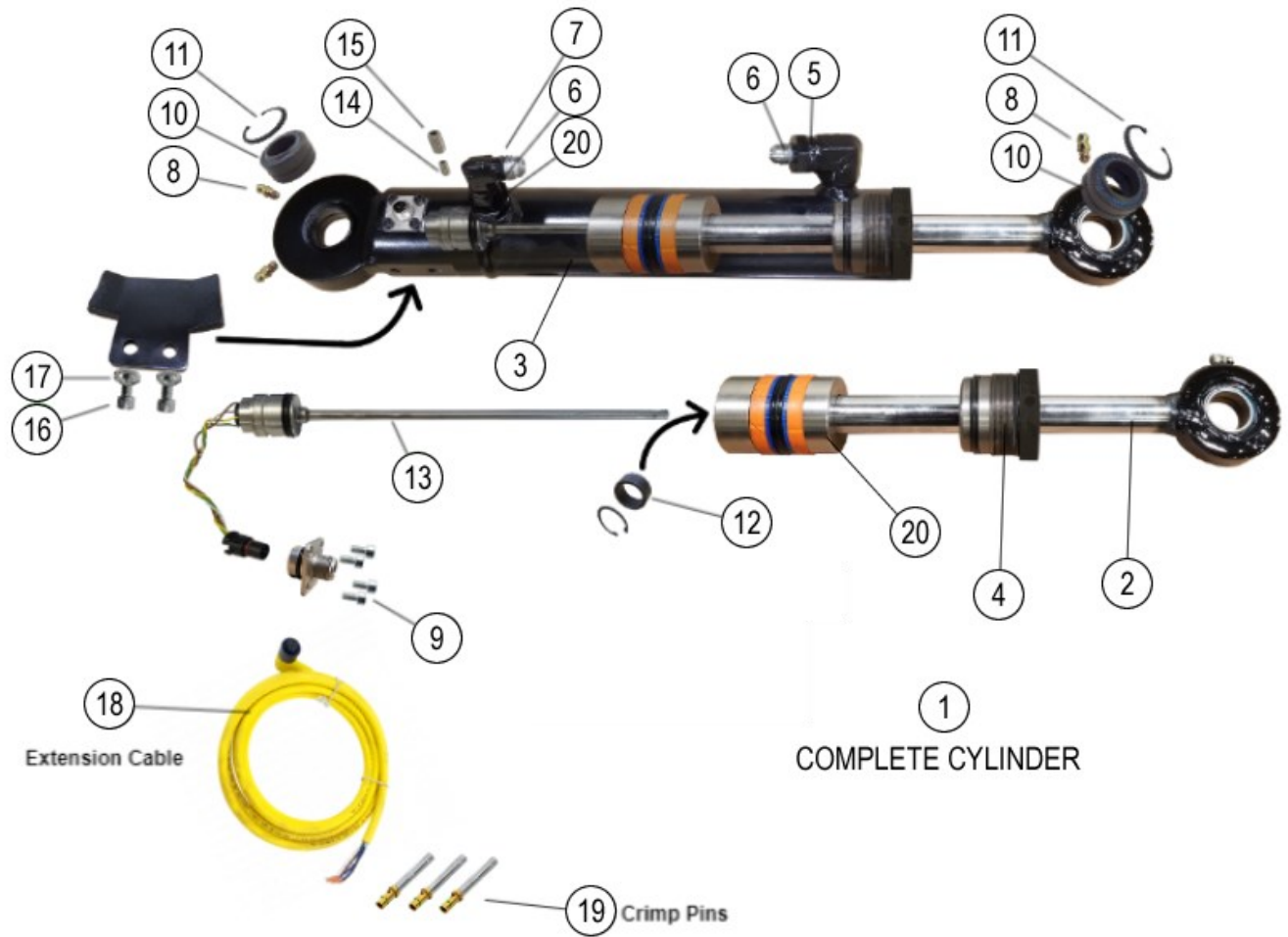


Measure Cylinder

No.	Axis Part No	Qty	Description	Notes
1	CW110100	1	COMPLETE CYLINDER	
2	CW210200	1	BARREL	
3	CW310300	1	ROD	
4	CW410400	1	GLAND	
5	CW510500	1	PISTON	
6	SK320702	1	SEAL KIT	
7	HF2040-6-6	1	FITTING - #6 JIC MALE X #6 BSP MALE	
8	BSP6	2	BONDED SEAL #6 (3/8")	
9	SBB16-2RS/Z	2	SPHERICAL BUSHING	
10	GFS561	2	SNAP RING	
11	GFZ14P	2	GREASE FITTING 1/4-28	

\*All manufacturers names, numbers, marks, trademarks and symbols and descriptions are used for reference purposes only. Use of parts not supplied from the original manufacturer on machines under manufacturer warranty could potentially void your manufacturer warranty. Machined parts are built by Axis, not the original manufacturer.

Main Saw Cylinder



\*All manufacturers names, numbers, marks, trademarks and symbols and descriptions are used for reference purposes only. Use of parts not supplied from the original manufacturer on machines under manufacturer warranty could potentially void your manufacturer warranty. Machined parts are built by Axis, not the original manufacturer.

## Main Saw Cylinder

No.	Axis Part No	Qty	Description	Notes
1	CW130102	1	COMPLETE CYLINDER	
2	CW335304	1	ROD	
3	CW235201	1	BARREL	
4	CW415405	1	GLAND	
5	BSP6	2	BONDED SEAL, #6 (3/8")	
6	HF2040-6-6	2	FITTING, #6 JIC MALE X #6 BSP MALE	
7	HF2939-6-6	1	FITTING, #6 JIC MALE X #6 JIC FEMALE 90	
8	GFZ6	1	GREASE FITTING, M6	
9	GFB80412	1	BOLT, M4 X 12MM SOCKET HEAD	
10	SBB16-2RS/Z	1	SPHERICAL BUSHING	
11	GFS561	1	SNAP RING	
12	EP455334	1	MAGNETIC RING	
13	EP455335	1	POSITION SENSOR	
14	GFB910406	1	SET SCREW, M4 X 6MM	
15	GFB910808	1	SET SCREW, M8 X 8MM	
16	GFB80820	2	BOLT, 8MM X 20MM SOCKET HEAD	
17	GFW5312	2	ANTIVIBRATION LOCKWASHER, 5/16" (M8)	
18	EP455147	1	INPUT POWER WIRE	
19	EP910321	3	CRIMP PINS	
20	GFS2926	1	SNAP RING	
21	R24422C	1	O-RING	

\*All manufacturers names, numbers, marks, trademarks and symbols and descriptions are used for reference purposes only. Use of parts not supplied from the original manufacturer on machines under manufacturer warranty could potentially void your manufacturer warranty. Machined parts are built by Axis, not the original manufacturer.

## Top Saw Cylinder



\*All manufacturers names, numbers, marks, trademarks and symbols and descriptions are used for reference purposes only. Use of parts not supplied from the original manufacturer on machines under manufacturer warranty could potentially void your manufacturer warranty. Machined parts are built by Axis, not the original manufacturer.

## Top Saw Cylinder

No.	Axis Part No	Qty	Description	Notes
1	CW105100		COMPLETE CYLINDER	
2	SK240701	1	SEAL KIT	
3	SBB12-2RS/Z	2	SPHERICAL BUSHING	
4	GFS551	2	SNAP RING	
5	GFZ14P	1	GREASE FITTING 1/4-28	
6	GFZ14P45	1	GREASE FITTING 1/4" X 45 DEGREE	
7	CW405400	1	GLAND	
8	CW505500	1	PISTON	
9	CW305300	1	ROD	
10	BSP6	2	BONDED SEAL #6 (3/8")	
11	HF2040-6-6	2	FITTING - #6 JIC MALE X #6 BSP MALE	

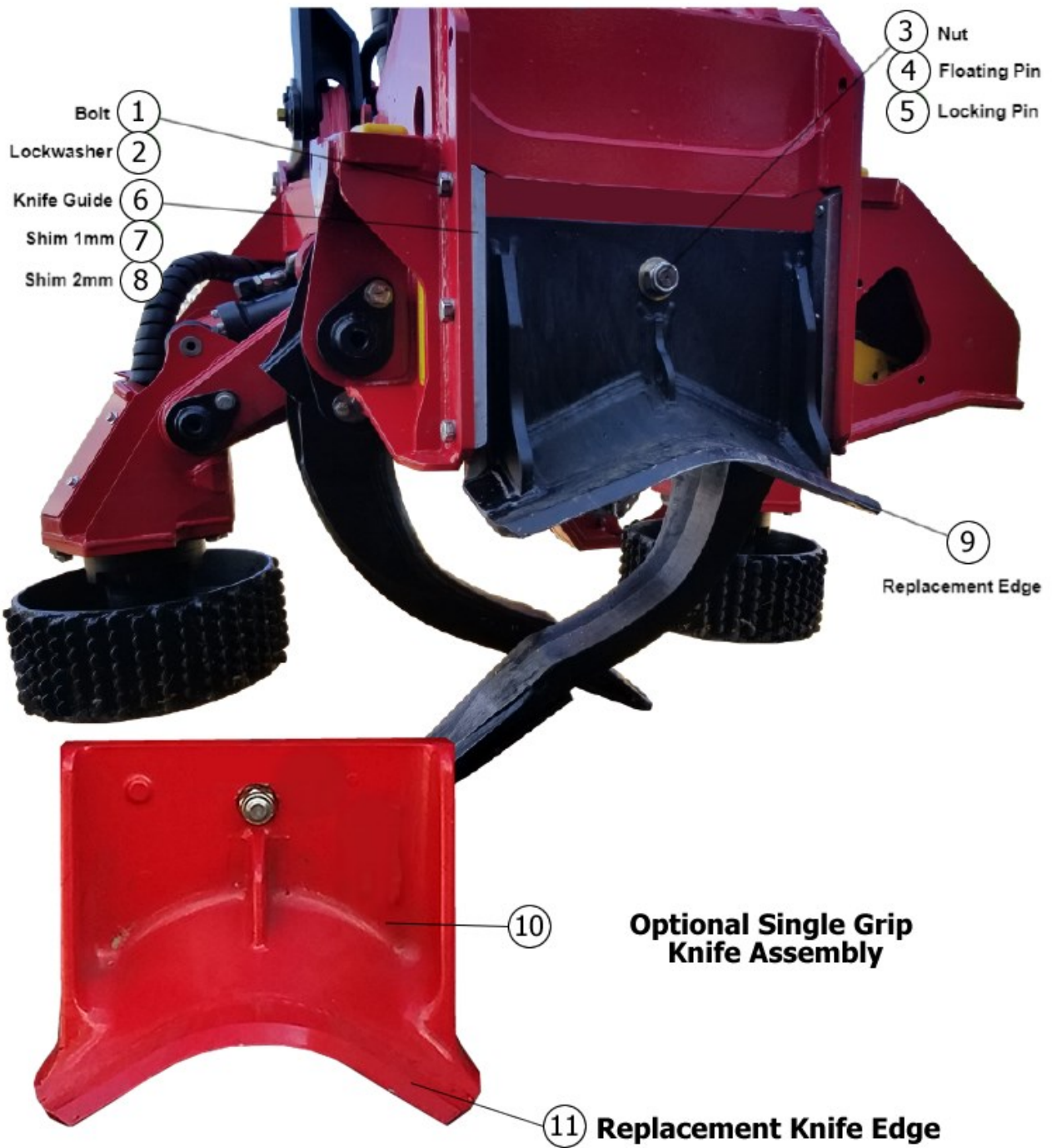
\*All manufacturers names, numbers, marks, trademarks and symbols and descriptions are used for reference purposes only. Use of parts not supplied from the original manufacturer on machines under manufacturer warranty could potentially void your manufacturer warranty. Machined parts are built by Axis, not the original manufacturer.





# DELIMBING

722CR Front Knife



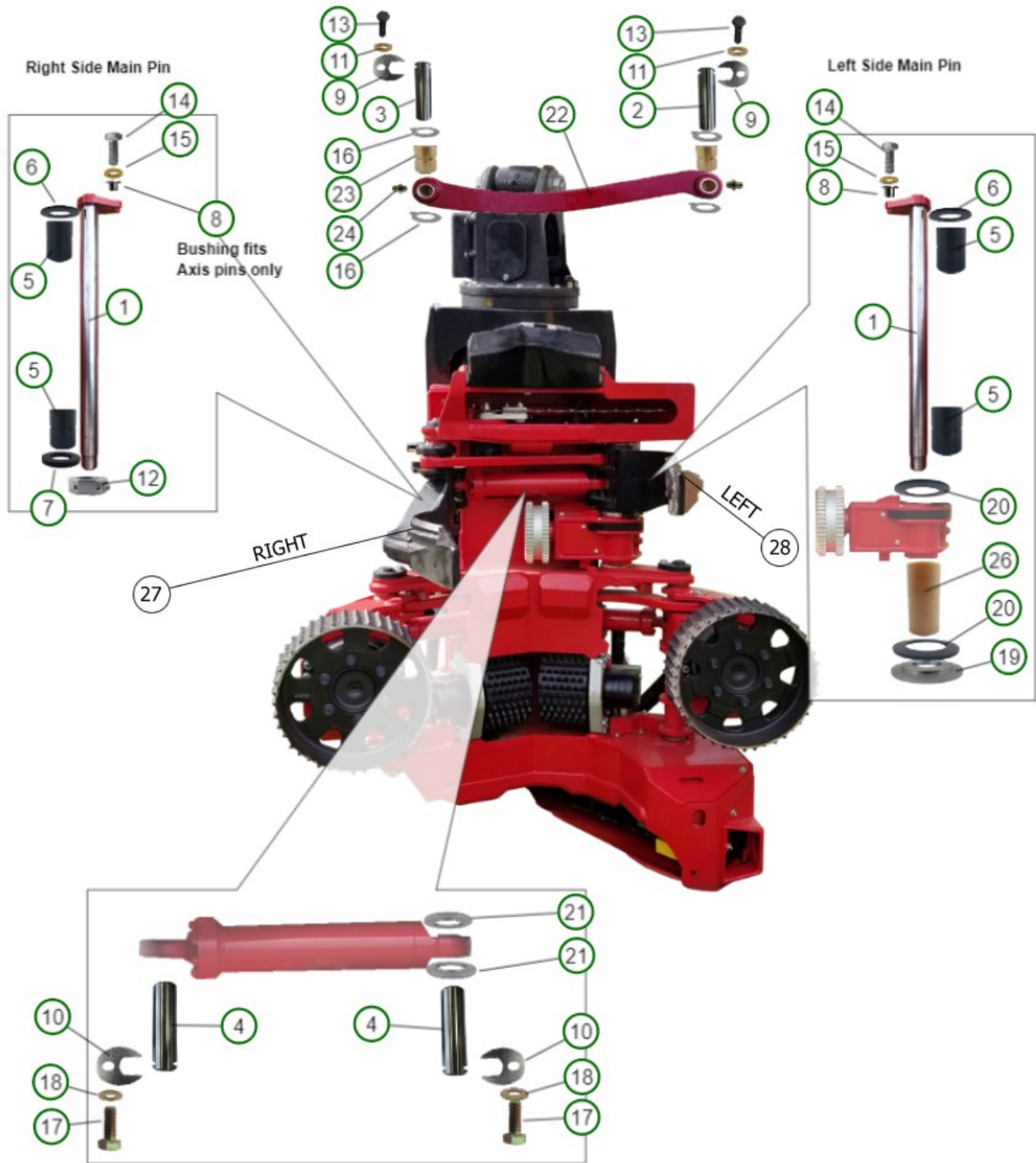
\*All manufacturers names, numbers, marks, trademarks and symbols and descriptions are used for reference purposes only. Use of parts not supplied from the original manufacturer on machines under manufacturer warranty could potentially void your manufacturer warranty. Machined parts are built by Axis, not the original manufacturer.

## 722CR Front Knife

No.	Axis Part No	Qty	Description	Notes
1	GFB71640	6	HEX BOLT M16 X 40mm	
2	GFW5625	6	ANTI-VIBRATION LOCKWASHER M16	
3	GFN41000	1	NYLON LOCKNUT 1"	
4	MR226300	1	FLOATING GUIDE BOLT	
5	MR226305	1	LOCKING GUIDE BOLT	
6	MK226327	2	KNIFE GUIDE	
7	MK226331	A/R	SHIM 1mm	
8	MK226332	A/R	SHIM 2mm	
9	MK226005	1	REPLACEMENT KNIFE EDGE	MULTI-STEM FABRICATED DESIGN
10	MK226103	1	FRONT KNIFE EDGE CAST	FOR SINGLE GRIP DESIGN
11	MK226003	1	REPLACEMENT KNIFE EDGE	SINGLE GRIP DESIGN

\*All manufacturers names, numbers, marks, trademarks and symbols and descriptions are used for reference purposes only. Use of parts not supplied from the original manufacturer on machines under manufacturer warranty could potentially void your manufacturer warranty. Machined parts are built by Axis, not the original manufacturer.

Delimb Arms



\*All manufacturers names, numbers, marks, trademarks and symbols and descriptions are used for reference purposes only. Use of parts not supplied from the original manufacturer on machines under manufacturer warranty could potentially void your manufacturer warranty. Machined parts are built by Axis, not the original manufacturer.

## Delimb Arms

No.	Axis Part No	Qty	Description	Notes
1	PN313653	2	PIN	REQUIRES MR363042 NUT
2	PN202111	1	PIN	USE RETAINER MR242579
3	PN202127	1	PIN	
4	PN242167	2	PIN	
5	BW6250100	4	NYLON BUSHING	
6	BW865105	2	NYLON WASHER, 5MM	
7	BW855110	1	NYLON WASHER, 10MM	
8	MR242574	2	PIN RETAINER	
9	MR242579	2	PIN RETAINER	
10	MR242578	2	PIN RETAINER	
11	GFW1375	2	WASHER, 3/8" HARDENED	
12	MR363042	1	SPLIT LOCK NUT, 42MM	
13	GFB71025	2	BOLT, M10 X 25MM HEX HEAD	
14	GFB71640	2	BOLT, M16 X 40MM HEX HEAD	
15	GFW1625	2	WASHER, 5/8" HARDENED	
16	BW503202C	4	STAINLESS STEEL WASHER	
17	GFB71230	2	BOLT, M12 X 30MM HEX HEAD	
18	GFW1500	2	WASHER, 1/2" HARDENED	
19	BW1258210	1	SPACER, STEPPED	
20	BW125825	2	WASHER	
21	BW633806	2	STEEL SPACER	
22	DL450028	1	DELIMB LINK	
23	BW843250	2	BRONZE BUSHING- LINKS	
24	GFW14P	2	GREASE FITTING, 1/4-28	
26	BW9582192	1	BUSHING	
27	MK225414	1	REPLACEMENT RIGHT IKNIFE EDGE	MULTI-STEM ARMS
28	MK225413	1	REPLACEMENT LEFT KNIFE EDGE	MULTI-STEM ARMS

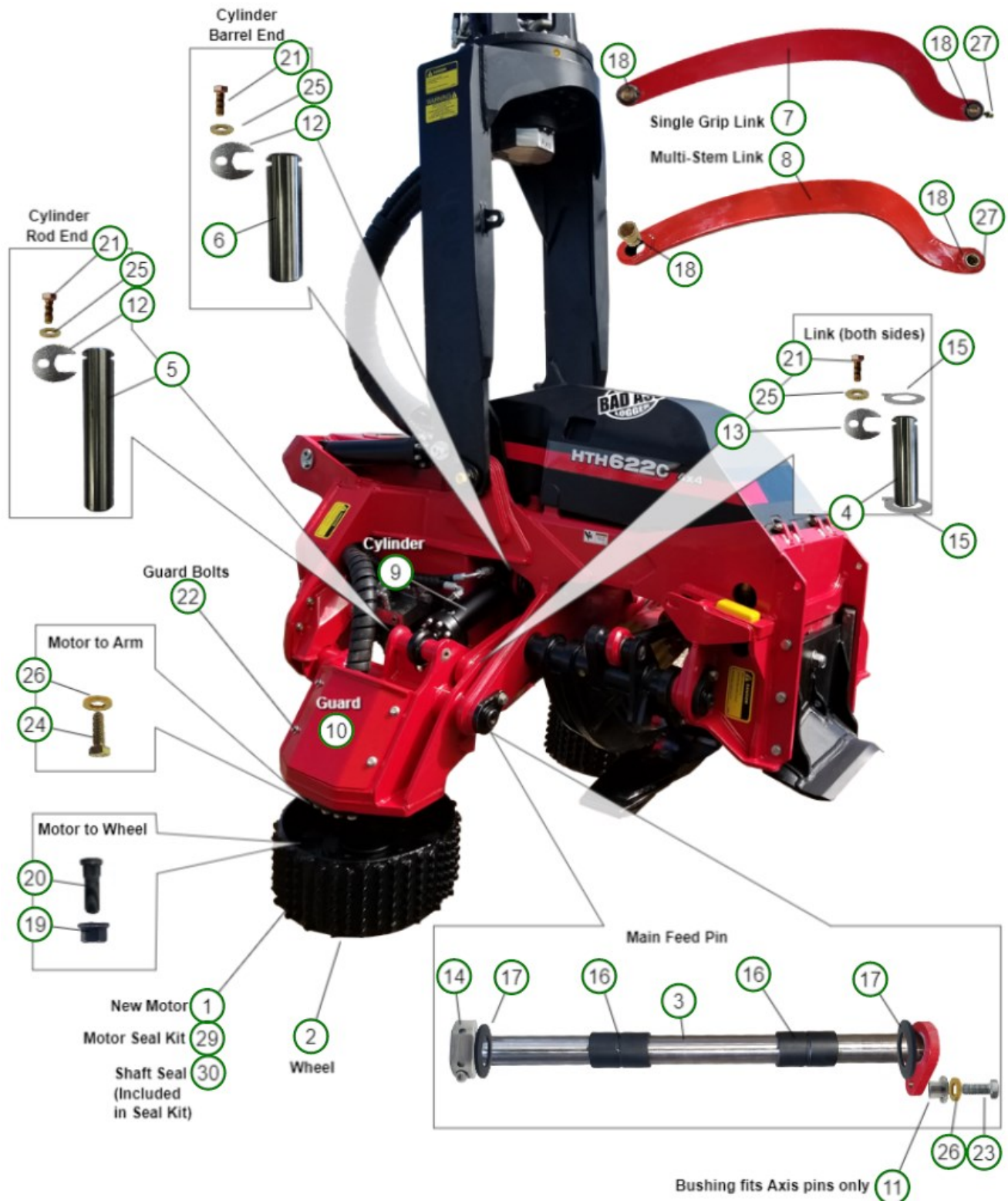
\*All manufacturers names, numbers, marks, trademarks and symbols and descriptions are used for reference purposes only.  
Use of parts not supplied from the original manufacturer on machines under manufacturer warranty could potentially void your  
manufacturer warranty. Machined parts are built by Axis, not the original manufacturer.





# FEED ARMS

Feed Arms



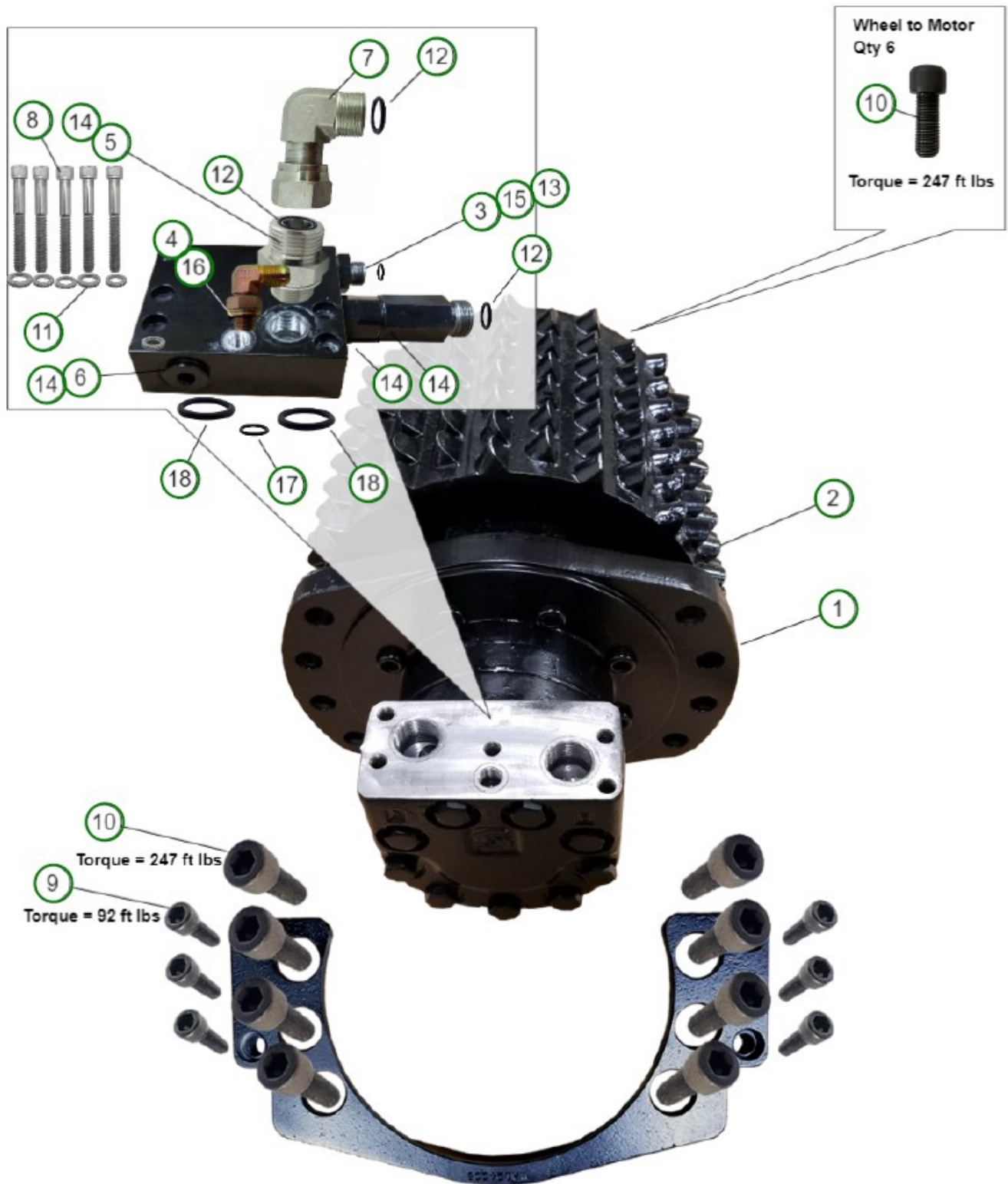
\*All manufacturers names, numbers, marks, trademarks and symbols and descriptions are used for reference purposes only. Use of parts not supplied from the original manufacturer on machines under manufacturer warranty could potentially void your manufacturer warranty. Machined parts are built by Axis, not the original manufacturer.

## Feed Arms

No.	Axis Part No	Qty	Description	Notes
1	MT515801	2	HYDRAULIC MOTOR	
2	DW750182	2	OUTSIDE FEED WHEEL	
3	PN313800	2	PIN	USES MR363042 NUT
4	PN202102	2	PIN	USES MR242579 RETAINER
5	PN242202	1	PIN	
6	PN242138	1	PIN	
7	DL450030	1	LINK	BRONZE BUSHINGS INSTALLED
8	DL450035	1	LINK- SLOTTED MULTI-STEM	BRONZE BUSHINGS INSTALLED
9	CW120100	2	CYLINDER ASSEMBLY	
10	GC129164	2	GUARD	
11	MR242574	1	PIN RETAINER	
12	MR242578	2	PIN RETAINER	
13	MR242579	2	PIN RETAINER	
14	MR363042	1	SPLIT LOCK NUT, 42MM	
15	BW503202C	4	STAINLESS STEEL WASHER	
16	BW6250100	2	NYLON BUSHING	
17	BW865105	2	NYLON WASHER	
18	BW843250	2	BRONZE BUSHING	
19	DW750116	12	NUT, OUTSIDE FEED WHEEL	
20	DW750117	12	STUD, OUTSIDE FEED MOTOR	
21	GFB71025	4	BOLT, M10 X 25MM HEX HEAD	
22	GFB71225FL	8	BOLT, M12 X 25MM HEX HEAD, FLANGED	
23	GFB71640	2	BOLT, M16 X 40MM HEX HEAD	
24	GFB71645	20	BOLT, M16 X 45MM HEX HEAD	
25	GFW1375	20	WASHER, 3/8" HARDENED	
26	GFW1625	2	WASHER, 5/8" HARDENED	
27	GFZ6	4	GREASE FITTING, M6	
30	SK622672	2	SHAFT SEAL FOR OUTSIDE FEED MOTOR	

\*All manufacturers names, numbers, marks, trademarks and symbols and descriptions are used for reference purposes only. Use of parts not supplied from the original manufacturer on machines under manufacturer warranty could potentially void your manufacturer warranty. Machined parts are built by Axis, not the original manufacturer.

Fixed Motor Left



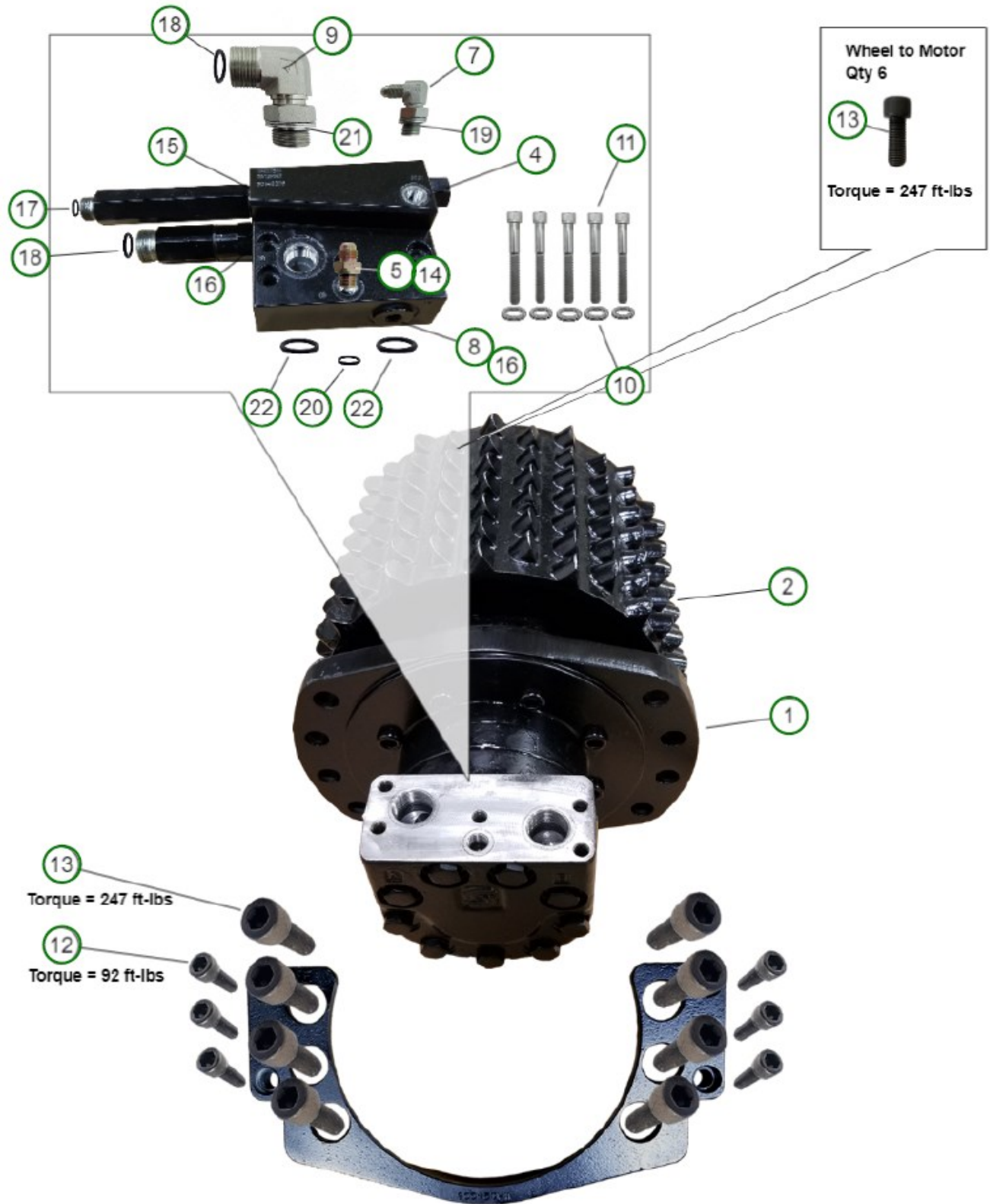
\*All manufacturers names, numbers, marks, trademarks and symbols and descriptions are used for reference purposes only. Use of parts not supplied from the original manufacturer on machines under manufacturer warranty could potentially void your manufacturer warranty. Machined parts are built by Axis, not the original manufacturer.

## Fixed Motor Left

No.	Axis Part No	Qty	Description	Notes
1	MT525401	1	MOTOR	
2	DW750174	1	CENTER FEED WHEEL	
3	HF4060-8-8	1	FITTING, #8 BSP MALE X #8 ORFS MALE	
4	HF2949-6-4	1	FITTING, #6 JIC MALE X #4 BSP MALE 90	USES O-RING R24420C
5	HF4060-12-12	1	FITTING, #12 BSP MALE X #12 ORFS MALE	
6	HF41-12	1	FITTING, ROUND PLUG #12 BSP SEAL	
7	HF6979-12-12	1	FITTING, #12 ORFS FEMALE X #12 ORFS MALE 90	
8	GFB81060	5	BOLT, M10 X 60MM SOCKET HEAD	
9	GFS81240	6	BOLT, M12 X 40MM SOCKET HEAD	
10	GFB8916040	14	BOLT, M16 X 40 MM SOCKET HEAD, FINE	
11	GFW5375	5	ANTIVIBRATION LOCKWASHER, 3/8" (M10)	
12	R24327C	2	O-RING, #12 ORFS	
13	BSP8	1	BONDED SEAL, #8 (1/2")	
14	BSP12	2	BONDED SEAL, #12 (3/4")	
15	R24323C	1	O-RING, #8 ORFS	
16	R24420C	1	O-RING,	
17	R24423C	1	O-RING	
18	T361479C	2	O-RING	

\*All manufacturers names, numbers, marks, trademarks and symbols and descriptions are used for reference purposes only. Use of parts not supplied from the original manufacturer on machines under manufacturer warranty could potentially void your manufacturer warranty. Machined parts are built by Axis, not the original manufacturer.

Fixed Motor Right



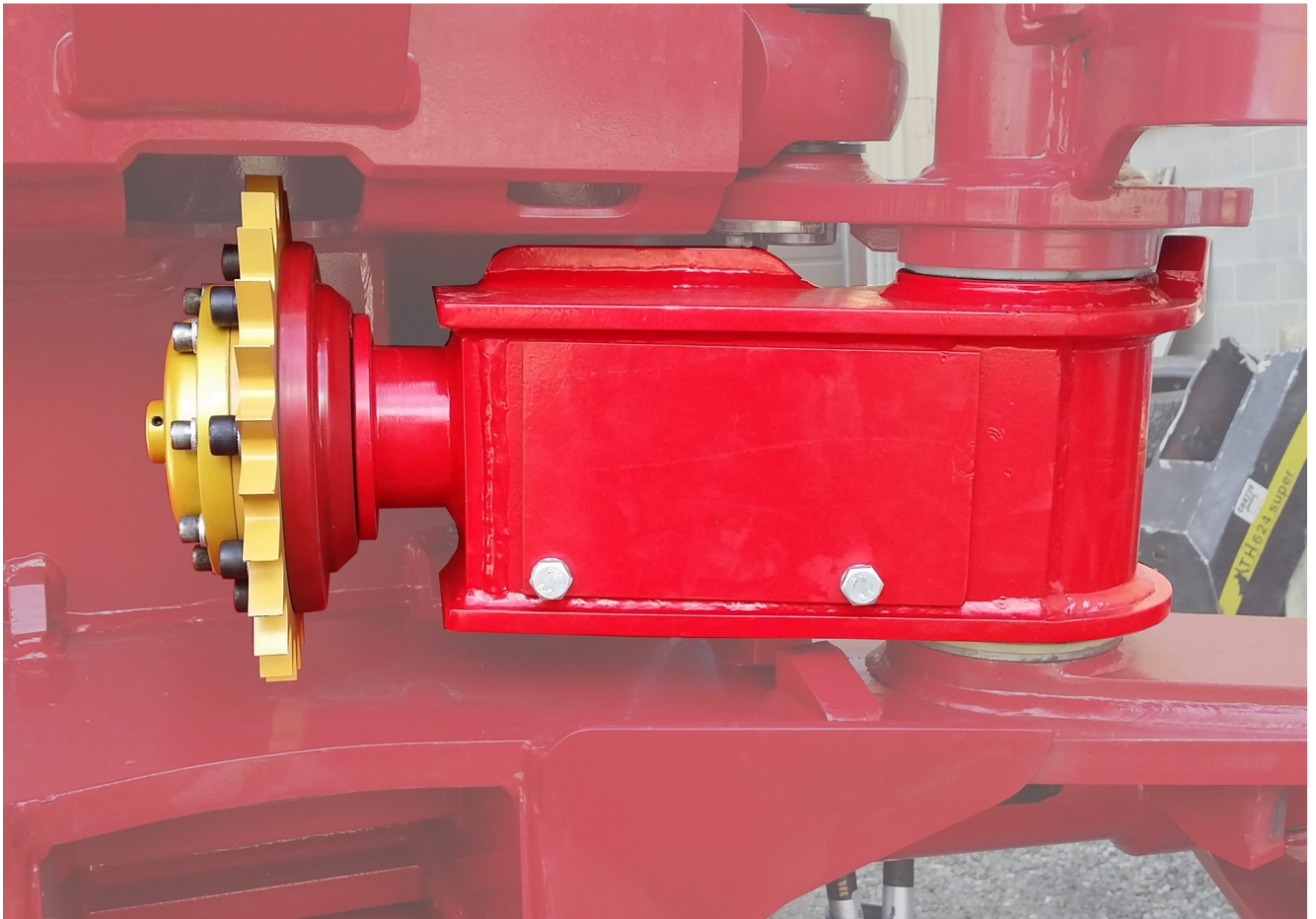
\*All manufacturers names, numbers, marks, trademarks and symbols and descriptions are used for reference purposes only. Use of parts not supplied from the original manufacturer on machines under manufacturer warranty could potentially void your

Fixed Motor Right

No.	Axis Part No	Qty	Description	Notes
1	MT525401	1	MOTOR	
2	DW750174	1	CENTER FEED WHEEL	
4	HV351038	1	SHUTTLE VALVE	
5	HF2040-6-4	1	FITTING, #6 JIC MALE X #4 BSP MALE	
6				
7	HF2949-4-4	1	FITTING, #4 JIC MALE X #4 BSP MALE 90	
8	GF41-12	1	FITTING, ROUND PLUG #12 BSP SEAL	
9	HF4969-12-12	1	FITTING, #12 BSP MALE X #12 ORFS MALE 90	
10	GFW5375	5	ANTIVIBRATION LOCKWASHER, 3/8" (M10)	
11	GFB81060	5	BOLT, M10 X 60MM SOCKET HEAD	
12	GFB81240	6	BOLT, M12 X 40MM SOCKET HEAD	
13	GFB8916040	14	BOLT, M16 X 40MM SOCKET HEAD, FINE	
14	BSP4	1	BONDED SEAL, #4 (1/4")	
15	BSP8	1	BONDED SEAL, #8 (1/2")	
16	BSP12	2	BONDED SEAL, #12 (3/4")	
17	R24323C	1	O-RING, #8 ORFS	
18	R24327C	2	O-RING, #12 ORFS	
19	R24420C	1	O-RING	
20	R24423C	1	O-RING	
21	T314479C	1	O-RING	
22	T361479C	2	O-RING	

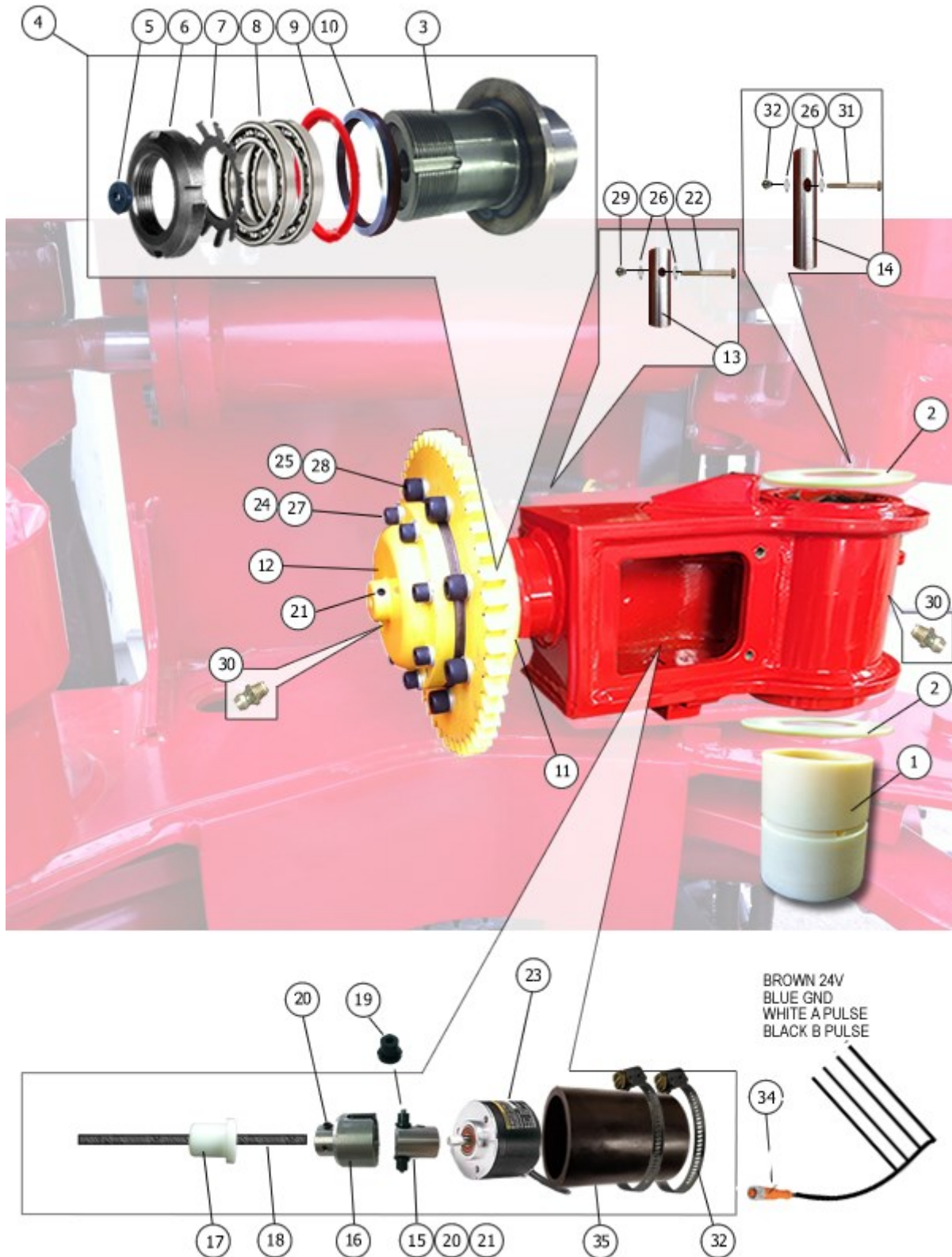
\*All manufacturers names, numbers, marks, trademarks and symbols and descriptions are used for reference purposes only. Use of parts not supplied from the original manufacturer on machines under manufacturer warranty could potentially void your manufacturer warranty. Machined parts are built by Axis, not the original manufacturer.





**MEASURING**

Shafted 722CR Length Measuring Assembly.

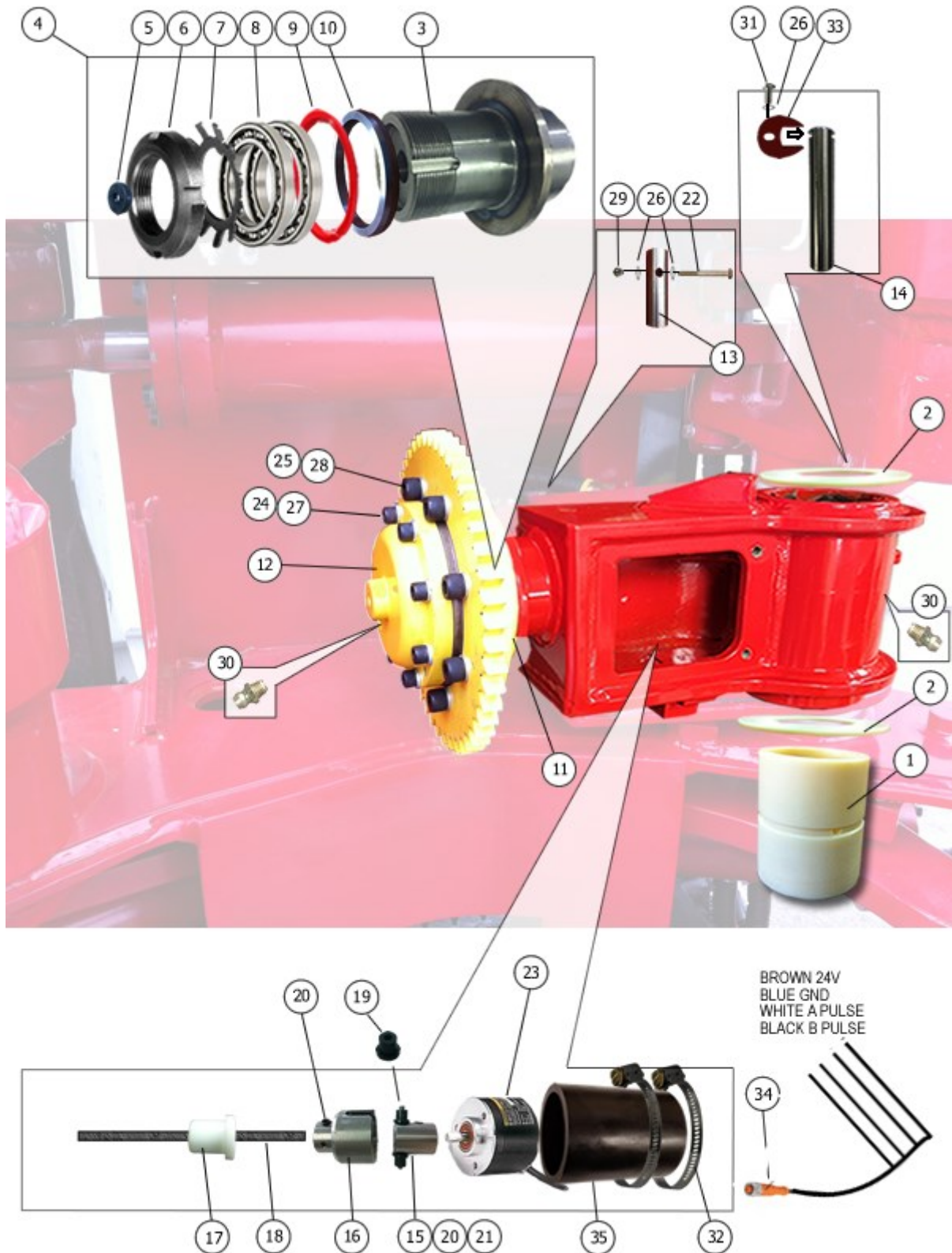


\*All manufacturers names, numbers, marks, trademarks and symbols and descriptions are used for reference purposes only. Use of parts not supplied from the original manufacturer on machines under manufacturer warranty could potentially void your manufacturer warranty. Machined parts are built by Axis, not the original manufacturer.

Shafted 722CR Length Measuring Assembly.

No.	Axis Part No	Qty	Description	Notes
1	BW9582192	1	BUSHING	
2	BW125825	2	NYLON WASHER	
3	MW600107	1	REPLACEMENT WELD-ON SPINDLE	
4	MW600100	1	MEASURING ARM PARTS KIT	INCLUDES 5, 6, 7, 8, 9, 10
5	MW622087	1	SEAL	
6	BR115754	1	NUT	
7	BR115753	1	LOCK WASHER	
8	BR115752	2	BEARING	
9	MW688105	1	DUST SEAL	
10	MP670375	1	STEEL SPACER	
11	MW600129	1	HUB	
12	MW600111	1	BEARING CAP	SN# 001- 040
13	PN160090	1	PIN – MEASURE CYLINDER BARREL TO FRAME	
14	PN160160	1	PIN–MEASURE CYLINDER ROD TO MEASURE ARM	
15	MP190623	1	COUPLER	
16	MP322435	1	COUPLER	
17	BW250825	1	BUSHING	
18	MP600188	1	SHAFT	SN# 001–040
19	MP670375	2	BUSHING	
20	GFS3112150	1	SPRING PIN	
21				
22	GFB1312225	1	HEX BOLT 5/16" X 2.25"	
23	EP455110	1	ENCODER 360 PPR	
23	EP455114	1	ENCODER 360 PPR MAGENTIC LONG LIFE	LIFETIME WARRANTY
24	GFB81040	8	BOLT SOCKET CAP M10 X 40mm	
25	GFB81235	8	BOLT SOCKET CAP M12 X 35mm	
26	GFW5312	3	ANTI-VIBRATION LOCKWASHER 5/16" M8	
27	GFW5375	8	ANTI-VIBRATION LOCK WASHER M10	
28	GFW5500	8	ANTI-VIBRATION LOCK WASHER M12	
29	GFN4312	1	NUT–NYLOCK 5/16"	
30	GFZ6	1	GREASE FITTING M6	
31	GFB0865	1	HEX BOLT M8 X 65mm	
32	GFN608	1	NUT M6	
33	MR202601	1	RETAINER	
34	EP455145	1	EXTENSION CABLE	
35	MP485976	1	URETHANE ENCODER SLEEVE	

\*All manufacturers names, numbers, marks, trademarks and symbols and descriptions are used for reference purposes only. Use of parts not supplied from the original manufacturer on machines under manufacturer warranty could potentially void your manufacturer warranty. Machined parts are built by Axis, not the original manufacturer.

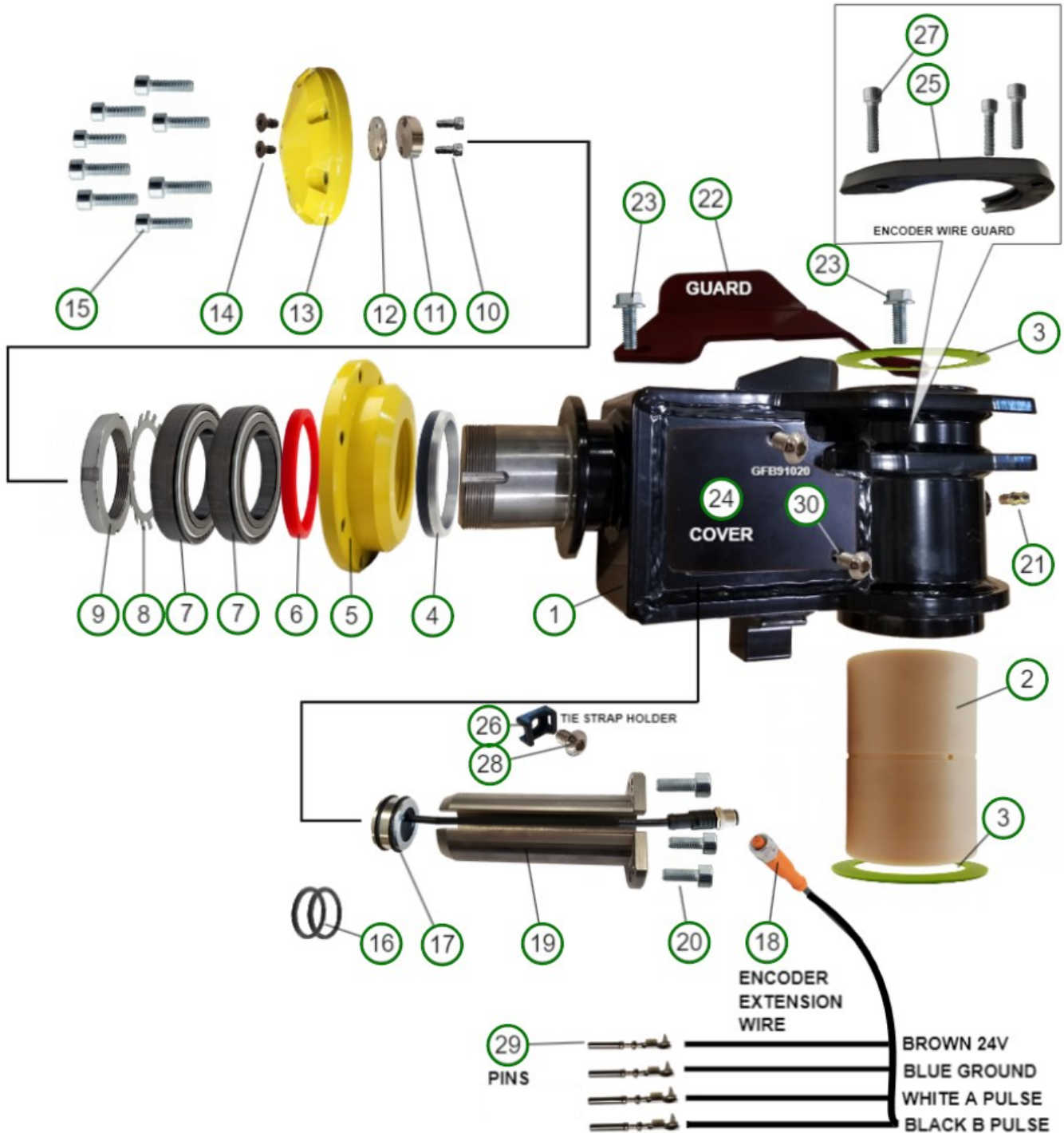


\*All manufacturers names, numbers, marks, trademarks and symbols and descriptions are used for reference purposes only. Use of parts not supplied from the original manufacturer on machines under manufacturer warranty could potentially void your manufacturer warranty. Machined parts are built by Axis, not the original manufacturer.

## Shafted Version2 722CR Length Measuring Assembly

No.	Axis Part No	Qty	Description	Notes
1	BW9582192	1	BUSHING	
2	BW125825	2	NYLON WASHER	
3	MW600107	1	REPLACEMENT WELD-ON SPINDLE	
4	MW600100	1	MEASURING ARM PARTS KIT	INCLUDES 5, 6, 7, 8, 9, 10
5	MW622087	1	SEAL	
6	BR115754	1	NUT	
7	BR115753	1	LOCK WASHER	
8	BR115752	2	BEARING	
9	MW688105	1	DUST SEAL	
10	MP670375	1	STEEL SPACER	
11	MW600129	1	HUB	
12	MW600155	1	BEARING CAP	SN# 041-
13	PN160090	1	PIN – MEASURE CYLINDER BARREL TO FRAME	SN# 281+
14	PN162130	1	PIN–MEASURE CYLINDER ROD TO MEASURE ARM	SN# 281+
15	MP190623	1	COUPLER	
16	MP322435	1	COUPLER	
17	BW250825	1	BUSHING	
18	TBA	1	SHAFT	SN# 041-281
19	MP670375	2	BUSHING	
20	GFS3112150	1	SPRING PIN	
21				
22	GFB1312225	1	HEX BOLT 5/16" X 2.25"	
23	EP455110	1	ENCODER 360 PPR	
23	EP455114	1	ENCODER 360 PPR MAGENTIC LONG LIFE	LIFETIME WARRANTY
24	GFB81040	8	BOLT SOCKET CAP M10 X 40mm	
25	GFB81235	8	BOLT SOCKET CAP M12 X 35mm	
26	GFW5312	3	ANTI-VIBRATION LOCKWASHER 5/16" M8	
27	GFW5375	8	ANTI-VIBRATION LOCK WASHER M10	
28	GFW5500	8	ANTI-VIBRATION LOCK WASHER M12	
29	GFN4312	1	NUT–NYLOCK 5/16"	
30	GFZ6	1	GREASE FITTING M6	
31	GFB70820	1	HEX BOLT M8 X 20mm	
32	HS40	2	CLAMP	
33	MR202601	1	RETAINER	
34	EP455145	1	EXTENSION CABLE	
35	MP485976	1	URETHANE ENCODER SLEEVE	

\*All manufacturers names, numbers, marks, trademarks and symbols and descriptions are used for reference purposes only. Use of parts not supplied from the original manufacturer on machines under manufacturer warranty could potentially void your manufacturer warranty. Machined parts are built by Axis, not the original manufacturer.



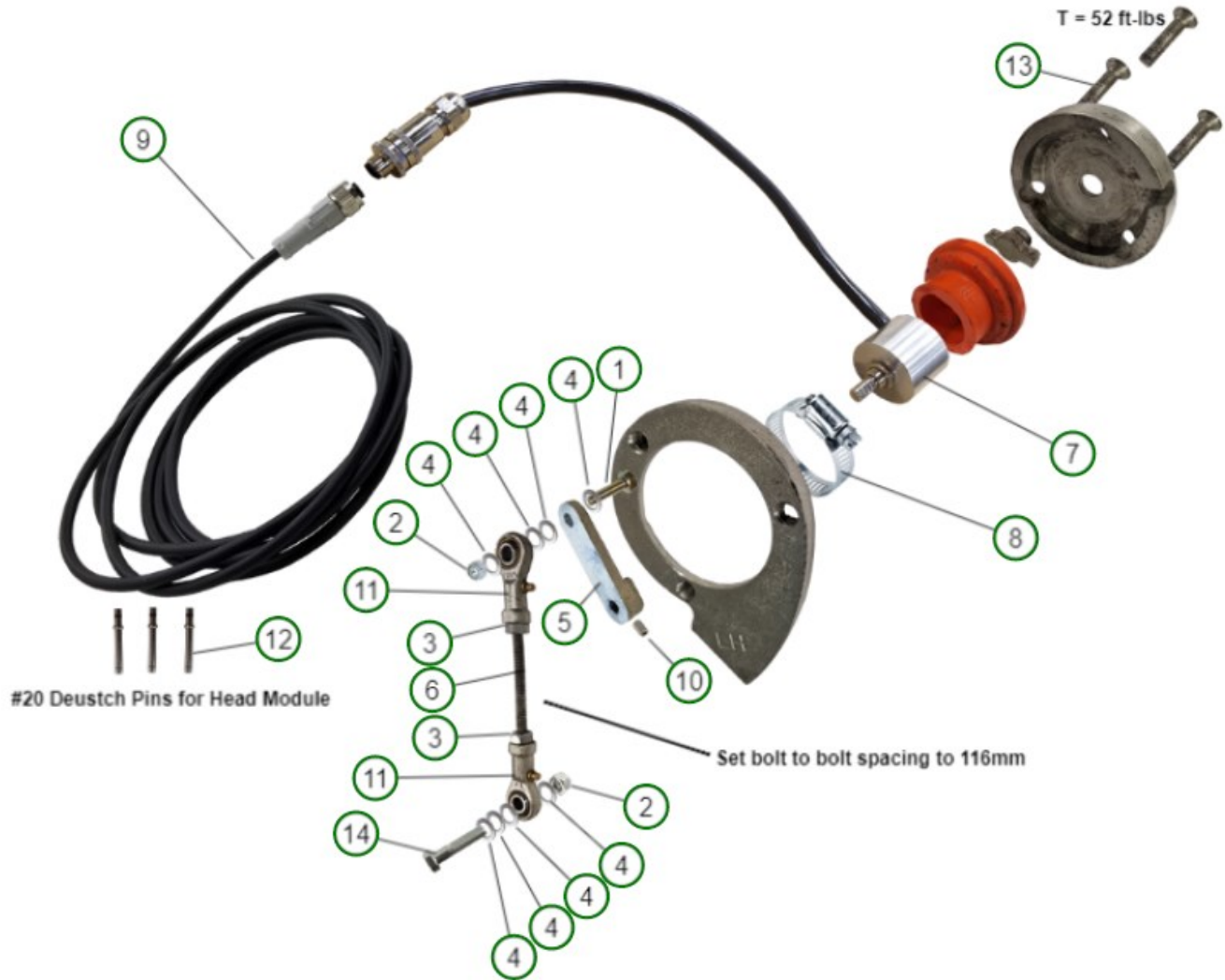
\*All manufacturers names, numbers, marks, trademarks and symbols and descriptions are used for reference purposes only. Use of parts not supplied from the original manufacturer on machines under manufacturer warranty could potentially void your manufacturer warranty. Machined parts are built by Axis, not the original manufacturer.

## 722CR Length Measuring Assembly Contactless

No.	Axis Part No	Qty	Description	Notes
1	MA622002	1	MEASURE ARM	
2	BW9582192	1	BUSHING	
3	BW125825	2	NYLON SPACER	
4	MP670375	1	STEEL SPACER	
5	MW600129	1	HUB	
6	MW688105	1	DUST SEAL	
7	BR115752	2	BEARING	
8	BR115753	1	LOCK WASHER	
9	BR115754	1	NUT	
10	GFB80410	2	BOLT SOCKET CAP M4 X 10mm	
11	EP455140	1	MAGNET ASSEMBLY	
12	MW600157	1	SPACER	
13	MW600155	1	BEARING CAP	
14	GFB990510	2	BOLT M5 X 10mm	
15	GFB81035	8	BOLT SOCKET CAP M10 X 35mm	
16	T369517C	2	O-RING	
17	EP455153	1	ENCODER MAGNETIC 256 PPR	
18	EP455145	1	EXTENSION CABLE	
19	MP470910	1	BRACKET	
20	GFB80615	3	BOLT SOCKET CAP M6 X 15mm	
21	GFZ6	1	GREASE FITTING M6	
22	GC622520	1	GUARD	
23	GFB71225FL	2	BOLT M12 X 25mm FLANGED HEAD	
24	GC129176	1	GUARD	
25	MA622004	1	GUARD	
26	EP900103	1	BRACKET FOR ZIP TIE	
27	GFB81260	3	BOLT SOCKET CAP M12 X 60mm	
28	GFB90612	1	BOLT M6 X 12mm	
29	EP910319	4	CRIMP PINS #20	FITS TIMBERRITE SYSTEMS & CYPRESS GEN5
29	EP910310	4	CRIMP PINS #16	FITS H-16 SYSTEMS
29	CR500102	4	CRIMP PIN	FITS CYPRESS SYSTEMS GEN6+
30	GFB91020	2	BOLT BUTTON HEAD M10 X 20mm	
<p>*All manufacturers names, numbers, marks, trademarks and symbols and descriptions are used for reference purposes only. Use of parts not supplied from the original manufacturer on machines under manufacturer warranty could potentially void your manufacturer warranty. Machined parts are built by Axis, not the original manufacturer.</p>				

## Diameter Measuring

Same Diagram for LH and RH



\*All manufacturers names, numbers, marks, trademarks and symbols and descriptions are used for reference purposes only. Use of parts not supplied from the original manufacturer on machines under manufacturer warranty could potentially void your manufacturer warranty. Machined parts are built by Axis, not the original manufacturer.

## Diameter Measuring

No.	Axis Part No	Qty	Description	Notes
1	GFB70625	1	BOLT, M6 X 25MM HEX HEAD	
2	GFN606	1	NYLOCK NUT, 6MM	
3	GFN306	2	NUT, 6M	
4	GFW106	8	WASHER, 6MM FLAT	
5	MP160060	1	LINK	FITS TIMBERRITE ONLY
6	MP160070	1	ROD	
7	EP455109	1	POTENTIOMETER	
8	HS32	1	HOSE CLAMP	
9	EP455145	1	CABLE	
10	GFB92608	1	SET SCREW, M6 X 8MM	
11	BR116006	2	ROD END	
12	EP910319	3	DEUTSCH PINS	TIMBERRITE SYSTEMS, CYPRESS GEN5
12	EP910310	3	DEUTSCH PINS	H-16 SYSTEMS
12	CR500102	3	DEUTSCH PINS	CYPRESS GEN 6+ SYSTEMS
13	GFB991045	3	BOLT, M10 X 45MM FLAT HEAD COUNTERSUNK	
14	GFB70630	1	BOLT, M6 X 30MM HEX HEAD	
<p><small>*All manufacturers names, numbers, marks, trademarks and symbols and descriptions are used for reference purposes only. Use of parts not supplied from the original manufacturer on machines under manufacturer warranty could potentially void your manufacturer warranty. Machined parts are built by Axis, not the original manufacturer.</small></p>				

## 722CR Length Measuring Wheels

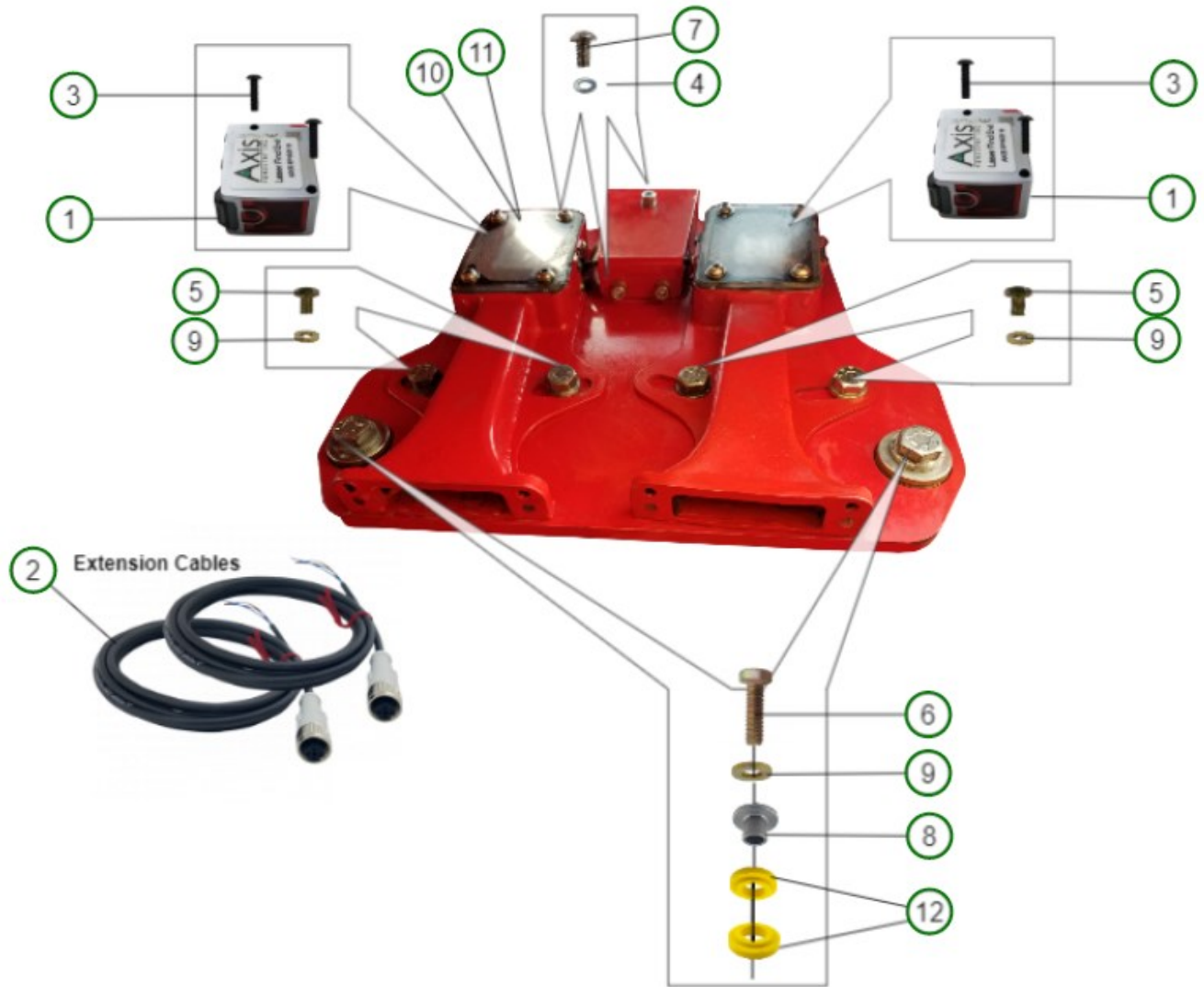


\*All manufacturers names, numbers, marks, trademarks and symbols and descriptions are used for reference purposes only. Use of parts not supplied from the original manufacturer on machines under manufacturer warranty could potentially void your manufacturer warranty. Machined parts are built by Axis, not the original manufacturer.

## 722CR Length Measuring Wheels

No.	Axis Part No	Qty	Description	Notes
1	MW600113	1	MEASURING WHEEL - 25 TOOTH	
2	MW600114	1	MEASURING WHEEL - 48 TOOTH	
3	MW600115	1	MEASURING WHEEL - SERRATED	
4	MW600117	1	MEASURING WHEEL - 65 TOOTH	
5	MW600120	1	MEASURING WHEEL - 25 TOOTH	
6	MW600313	1	MEASURING WHEEL - MULTI STEM	
7	GFB81235	8	BOLT - M12 X 35MM SOCKET HEAD	
8	GFB81255	8	BOLT - M12 X 55M SOCKET HEAD	

\*All manufacturers names, numbers, marks, trademarks and symbols and descriptions are used for reference purposes only. Use of parts not supplied from the original manufacturer on machines under manufacturer warranty could potentially void your manufacturer warranty. Machined parts are built by Axis, not the original manufacturer.



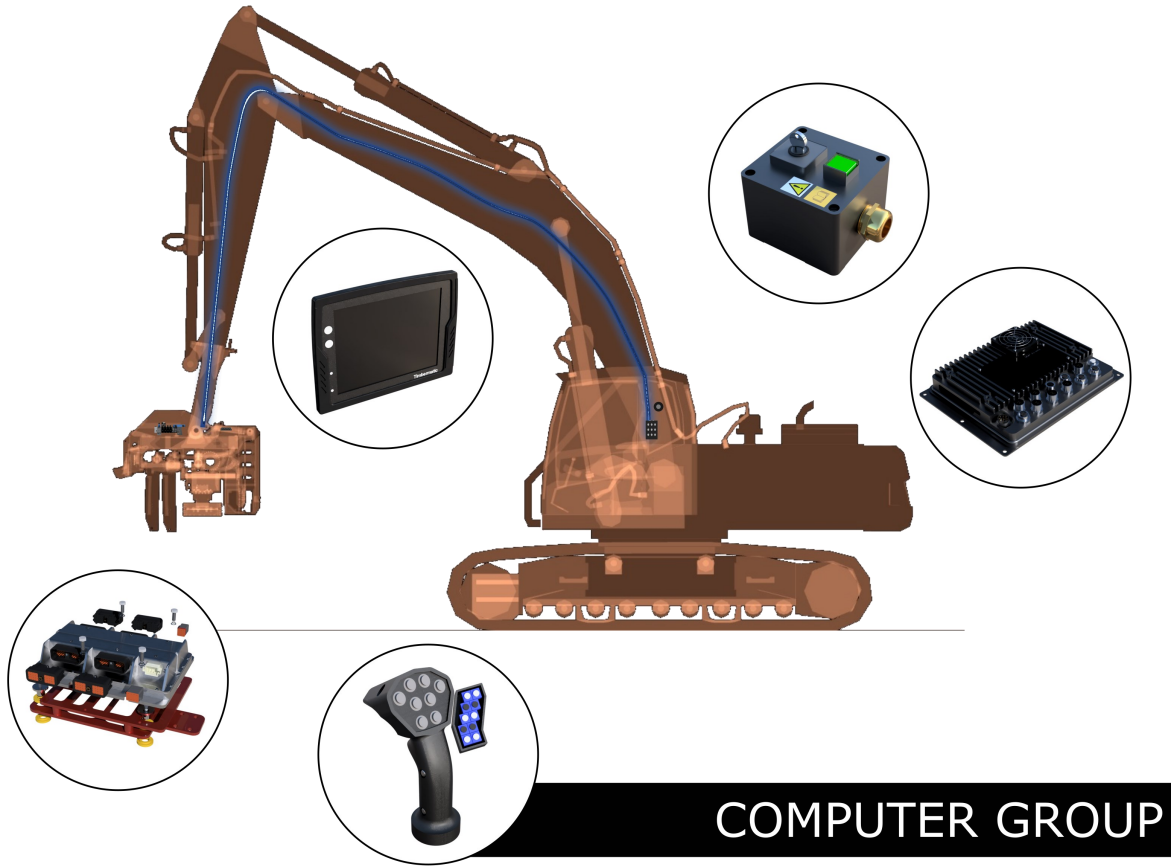
\*All manufacturers names, numbers, marks, trademarks and symbols and descriptions are used for reference purposes only. Use of parts not supplied from the original manufacturer on machines under manufacturer warranty could potentially void your manufacturer warranty. Machined parts are built by Axis, not the original manufacturer.

722CR Find End

No.	Axis Part No	Qty	Description	Notes	
1	EP455115	2	LASER PHOTO EYE	REQUIRES EP455145 CONNECTOR & WIRE	
2	EP455145	2	CONNECTOR & WIRE		
3	GFB90325	2	SCREW, M2 X 25MM BUTTON HEAD		
4	GFW106	1	WASHER, 6MM FLAT		
5	GFB71016	2	BOLT, M10 X 16MM HEX HEAD		
6	GFB71240	2	BOLT, M12 X 40MM HEX HEAD		
7	GFB90612	1	BOLT, MC X 12MM BUTTON HEAD		
8	MR561709	2	STEEL SPACER BUSHING		
9	GFW1375	4	WASHER, 3/8" HARDENED		
10	MP190208	2	COVER, LASER PHOTO EYE		
11	MP190209	2	GASKET		FITS TO FIND END LASER COVER
12	MR561708	4	BUSHING		

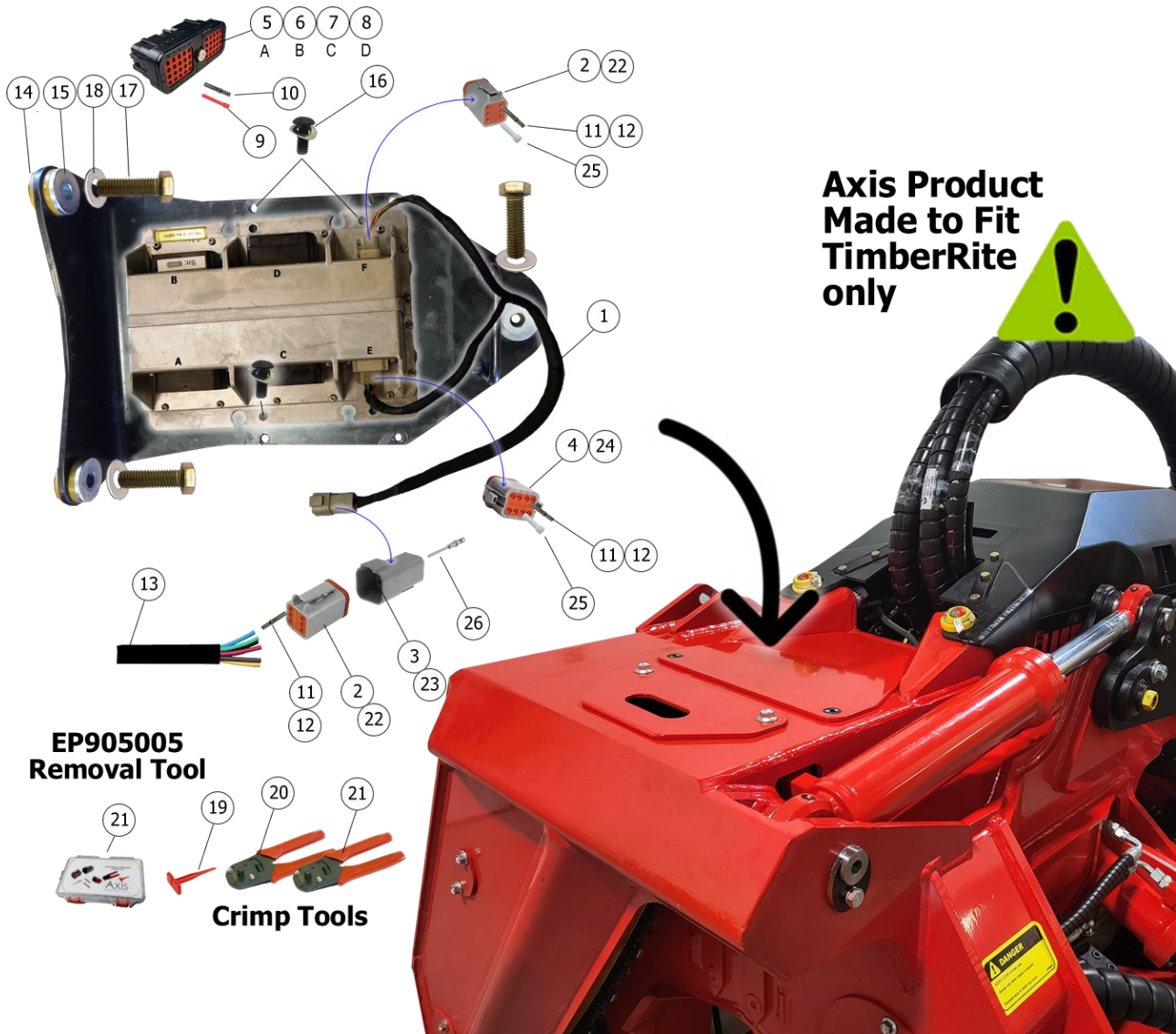
\*All manufacturers names, numbers, marks, trademarks and symbols and descriptions are used for reference purposes only. Use of parts not supplied from the original manufacturer on machines under manufacturer warranty could potentially void your manufacturer warranty. Machined parts are built by Axis, not the original manufacturer.





**COMPUTER GROUP**

Head Module



**Axis Product  
Made to Fit  
TimberRite  
only**



**EP905005  
Removal Tool**

**Crimp Tools**

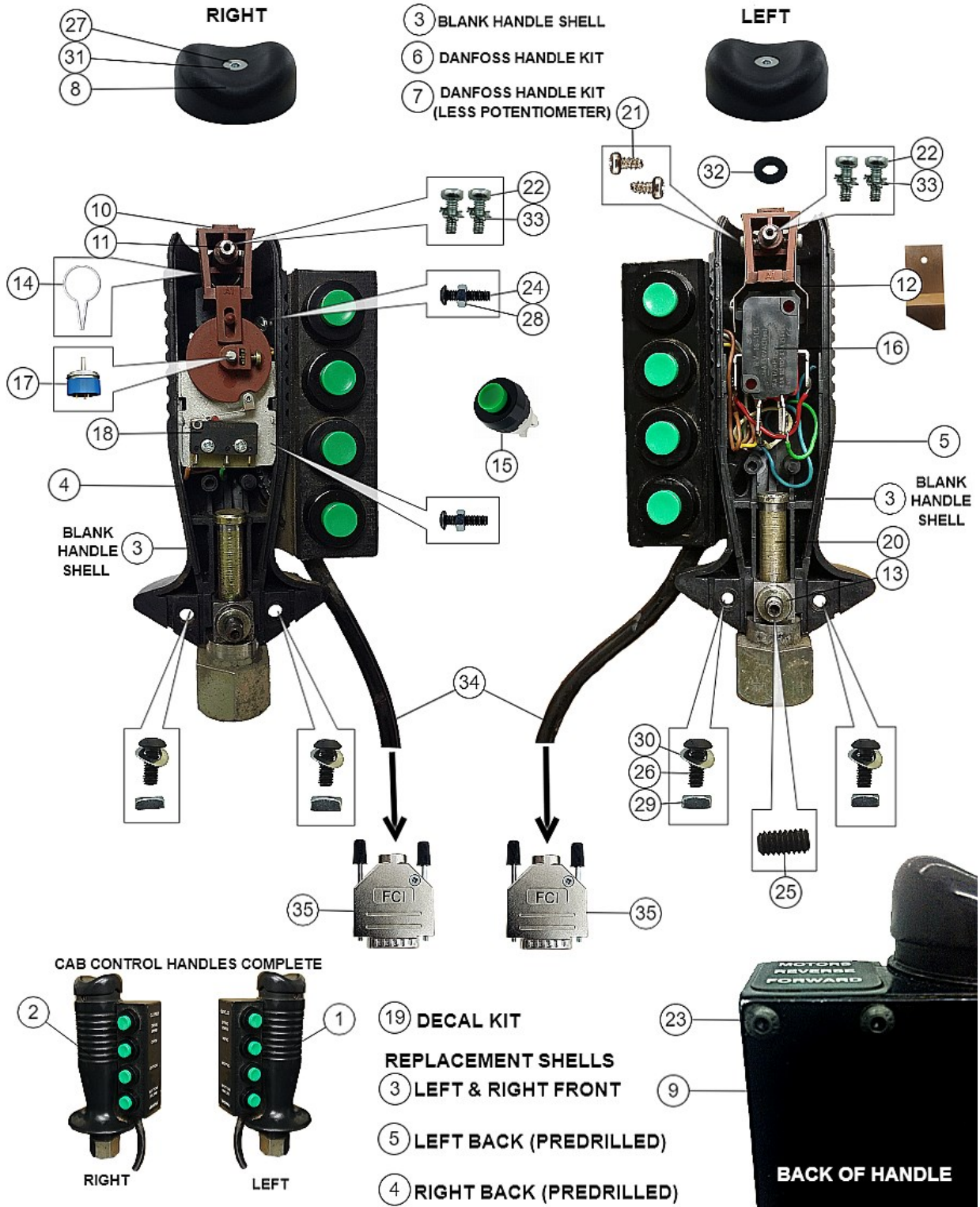
\*All manufacturers names, numbers, marks, trademarks and symbols and descriptions are used for reference purposes only. Use of parts not supplied from the original manufacturer on machines under manufacturer warranty could potentially void your manufacturer warranty. Machined parts are built by Axis, not the original manufacturer.

# Head Module

No.	Axis Part No	Qty	Description	Notes
1				
2	EP910176	2	DEUSTCH PLUG 6 WIRE	
3	EP910136	1	DEUSTCH RECEPTACLE 6 WIRE	
4	EP910178	1	DEUSTCH PLUG 8 WIRE	
5	EP910326A	1	DEUSTCH PLUG 26 WIRE KEYED 'A'	
6	EP910326B	1	DEUSTCH PLUG 26 WIRE KEYED 'B'	
7	EP910326C	1	DEUSTCH PLUG 26 WIRE KEYED 'C'	
8	EP910326D	1	DEUSTCH PLUG 26 WIRE KEYED 'D'	
9	EP910320	A/R	PLUG #20 SIZE	
10	EP910319	A/R	DUESTCH CRIMP PIN #20	AS REQUIRED
11	EP910310	A/R	DEUSTCH CRIMP PIN #16	18-22 GAUGE WIRES
12	EP910308	A/R	DEUSTCH CRIMP PIN #16 GREEN STRIPE	14-16 GAUGE WIRES (Brown & Blue)
13	EP456111	A/R	BOOM CABLE 6 WIRE	
14	MR561708	6	YELLOW BUSHING	
15	MR561709	3	STEEL SPACER	
16	GFB80825	4	BOLT M8 X 25mm S/CAP	
17	GFB71240	3	HEX BOLT M12 X 40mm	
18	GFW212	3	FLAT WASHER M12	
19	EP905005	1	DEUSTCH PULLER TOOL	EXTRACTS WIRES FROM A, B, C, D PLUGS
20	EP910150	1	CRIMP TOOL #16 SIZE	
21	EP910151	1	CRIMP TOOL #20 SIZE	FOR A, B, C, D PLUG WIRES
22	EP920601	2	DEUSTCH 6P LOCKING CAP	
23	EP920602	1	DEUSTCH 6P LOCKING PLUG	
24	EP920801	1	DEUSTCH 8P LOCKING CAP	
25	EP910316	A/R	PLUG #16 SIZE	

\*All manufacturers names, numbers, marks, trademarks and symbols and descriptions are used for reference purposes only. Use of parts not supplied from the original manufacturer on machines under manufacturer warranty could potentially void your manufacturer warranty. Machined parts are built by Axis, not the original manufacturer.

Danfoss Control Handles



\*All manufacturers names, numbers, marks, trademarks and symbols and descriptions are used for reference purposes only. Use of parts not supplied from the original manufacturer on machines under manufacturer warranty could potentially void your manufacturer warranty. Machined parts are built by Axis, not the original manufacturer.

## Danfoss Control Handles

No.	Axis Part No	Qty	Description	Notes
1	HP480301	1	DANFOSS HANDLE LEFT	INCLUDES WIRING AND CONNECTOR
2	HP480401	1	DANFOSS HANDLE RIGHT	INCLUDES WIRING AND CONNECTOR
3	HP480207	2	HANDLE PART - SHELL	
4	HP480207R	1	HANDLE SHELL - PREDRILLED FOR RIGHT SIDE	
5	HP480207L	1	HANDLE SHELL - PREDRILLED FOR LEFT SIDE	
6	HP480100	1	HANDLE KIT	
7	HP480101	1	HANDLE KIT	
8	HP480206	1	TOP ROCKER	
9	HP480239	2	BACK PLATE	
10	HP480305	1	ACTIVATION BLOCK	
11	HP480504	1	SHAFT	
12	HP480204	2	SPRING	
13	HP480801	1	RETAINER	
14	HP480407	1	SPRING	
15	HP780839	4	GREEN PUSH BUTTON	
16	HP780840	2	SWITCH ON/OFF	
17	HP780841	1	POTENTIOMETER	
18	HP780842	1	SWITCH	
19	HP370201	1	HANDLE DECAL KIT	
20	HP480237	1	HANDLE STEM BASE 1/2" UNF	
21	GFB90204	2	SCREW - FITS ACTUATOR BLOCK	
22	GFB90206	2	SCREW	
23	GFB90306	4	SCREW - BUTTONHEAD	
24	GFB90312	2	SCREW - BUTTONHEAD	
25	GFB910510	2	SCREW - SOCKET SET SCREW	
26	GFB90410	2	SCREW - BUTTONHEAD	
27	GFB990408	1	SCREW - FLATHEAD	
28	GFN303	2	NUT	
29	GFN7904	2	NUT - SQUARE	
30	GFW9004	2	WAVE WASHER	
31	GFW9104	1	LOCKWASHER - CONICAL SERRATED	
32	GFW9204	1	SEAL	
33	GFW802	2	LOCKWASHER - EXTERNAL TOOTH	
34	EP455127	1	CABLE FOR DANFOSS HANDLES - FITS LH & RH	
35	EP750111	2	CONNECTOR 15 PIN - MALE	

\*All manufacturers names, numbers, marks, trademarks and symbols and descriptions are used for reference purposes only. Use of parts not supplied from the original manufacturer on machines under manufacturer warranty could potentially void your manufacturer warranty. Machined parts are built by Axis, not the original manufacturer.

## Axis Control Handles Danfoss Type

Axis Handles Made to Fit TimberRite



\*All manufacturers names, numbers, marks, trademarks and symbols and descriptions are used for reference purposes only. Use of parts not supplied from the original manufacturer on machines under manufacturer warranty could potentially void your manufacturer warranty. Machined parts are built by Axis, not the original manufacturer.

Axis Control Handles Danfoss Type

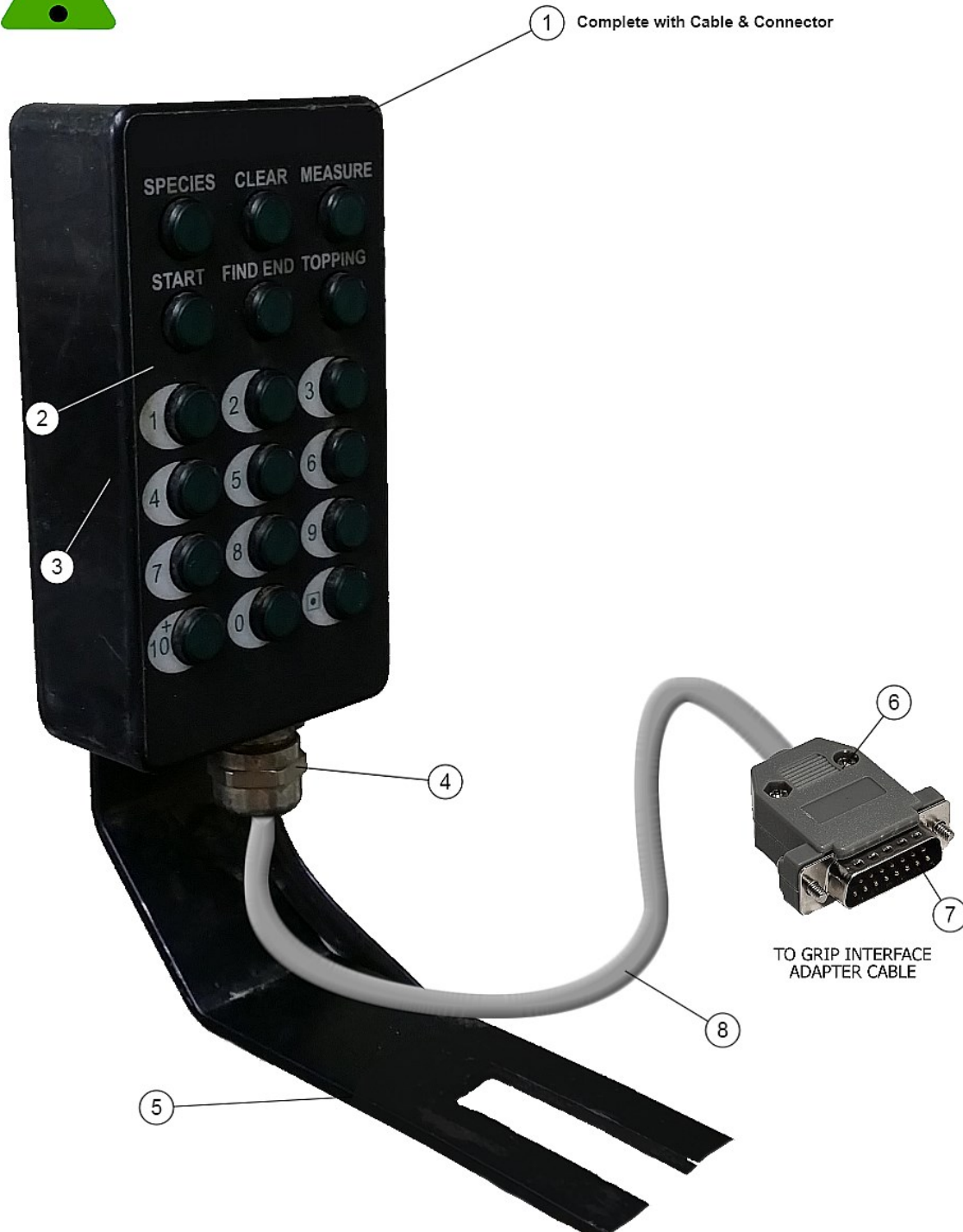
No.	Axis Part No	Qty	Description	Notes
1	HP370101	1	AXIS HANDLE LEFT	INCLUDES WIRING AND CONNECTOR
2	HP370102	1	AXIS HANDLE RIGHT	INCLUDES WIRING AND CONNECTOR
3	HP4659314	1	SWITCH - PUSH BUTTON	
4	HP480240	1	BRACKET - HAND REST	
5	HP480241	1	PADDED COVER	
6	HP4659308	4	TOP ROCKER	
7	HP4659300	1	HANDLE SHELL	
8	HP615046	2	MOUNT ADAPTER 1/2-20	
9	HP615047	2	MOUNT ADAPTER M14	
10	LP480102	1	DECAL KIT	

\*All manufacturers names, numbers, marks, trademarks and symbols and descriptions are used for reference purposes only. Use of parts not supplied from the original manufacturer on machines under manufacturer warranty could potentially void your manufacturer warranty. Machined parts are built by Axis, not the original manufacturer.

## Danfoss Species/Preselect Keypad



**Axis Product Made to Fit TimberRite only**



\*All manufacturers names, numbers, marks, trademarks and symbols and descriptions are used for reference purposes only. Use of parts not supplied from the original manufacturer on machines under manufacturer warranty could potentially void your manufacturer warranty. Machined parts are built by Axis, not the original manufacturer.

Danfoss Species/Preselect Keypad

No.	Axis Part No	Qty	Description	Notes
1	EP808	1	KEYPAD ASSEMBLY COMPLETE	INCLUDES WIRING AND CONNECTOR       REQUIRES 12 FEET/3.65 Meters
2	EP802-1	1	OVERLAY DECAL	
3	EP802	1	REPLACEMENT BOX PREDRILLED	
4	EP698710	1	CABLE GLAND	
5	EP801201	1	BRACKET	
6	EP750231	1	BACKSHELL COVER	
7	EP750111	1	CONNECTOR	
8	EP456125	2	CABLE	

\*All manufacturers names, numbers, marks, trademarks and symbols and descriptions are used for reference purposes only. Use of parts not supplied from the original manufacturer on machines under manufacturer warranty could potentially void your manufacturer warranty. Machined parts are built by Axis, not the original manufacturer.

## Sure Grip Control Handles



Sure Grip Control Handles

Axis Product to Fit TimberRite Only

### 11 HANDLE SPARE PARTS KIT

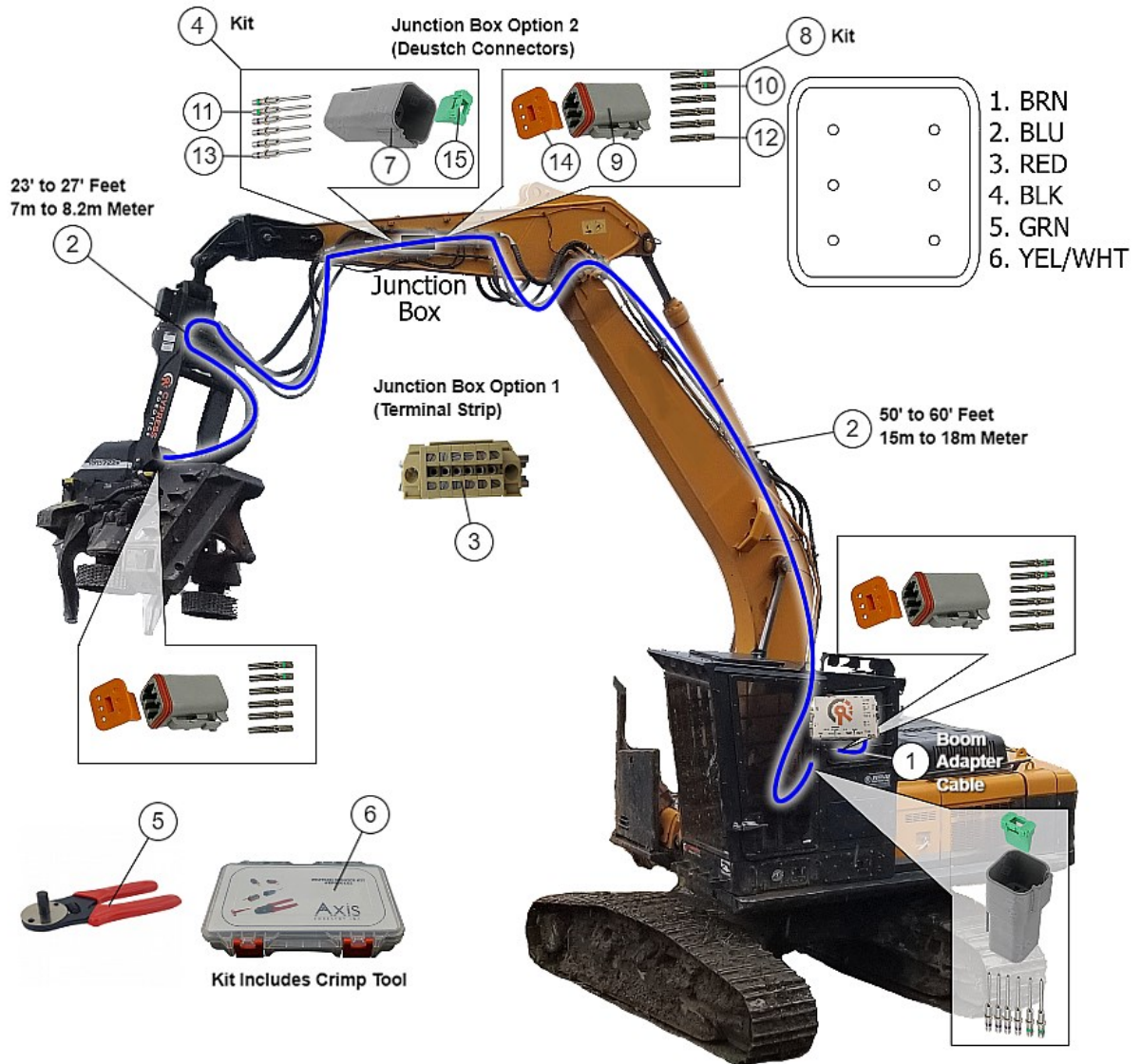


\*All manufacturers names, numbers, marks, trademarks and symbols and descriptions are used for reference purposes only. Use of parts not supplied from the original manufacturer on machines under manufacturer warranty could potentially void your manufacturer warranty. Machined parts are built by Axis, not the original manufacturer.

## Sure Grip Control Handles

No.	Axis Part No	Qty	Description	Notes
1	HP618020	1	LEFT HANDLE COMPLETE	INCLUDES WIRING AND CONNECTOR
2	HP618021	1	RIGHT HANDLE COMPLETE	INCLUDES WIRING AND CONNECTOR
3	HP780843	1	SWITCH	
4	HP615024	1	REPLACEMENT DUAL TRIGGER	
5	HP615025	1	KIT - LEAF SPRING	
6	HP615026	1	SCREW	
7	HP615043	1	OVERLAY 8 BUTTON	
8	HP615032	1	BACKING PLATE	
9	HP615027	1	HANDLE SHELL - LEFT	
10	HP615028	1	HANDLE SHELL - RIGHT	
11	HP615041	1	HANDLE SPARE PARTS KIT	
12	HP615046	2	MOUNT ADAPTER 1/2-20	
13	HP615047	2	MOUNT ADAPTER M14	

\*All manufacturers names, numbers, marks, trademarks and symbols and descriptions are used for reference purposes only. Use of parts not supplied from the original manufacturer on machines under manufacturer warranty could potentially void your manufacturer warranty. Machined parts are built by Axis, not the original manufacturer.

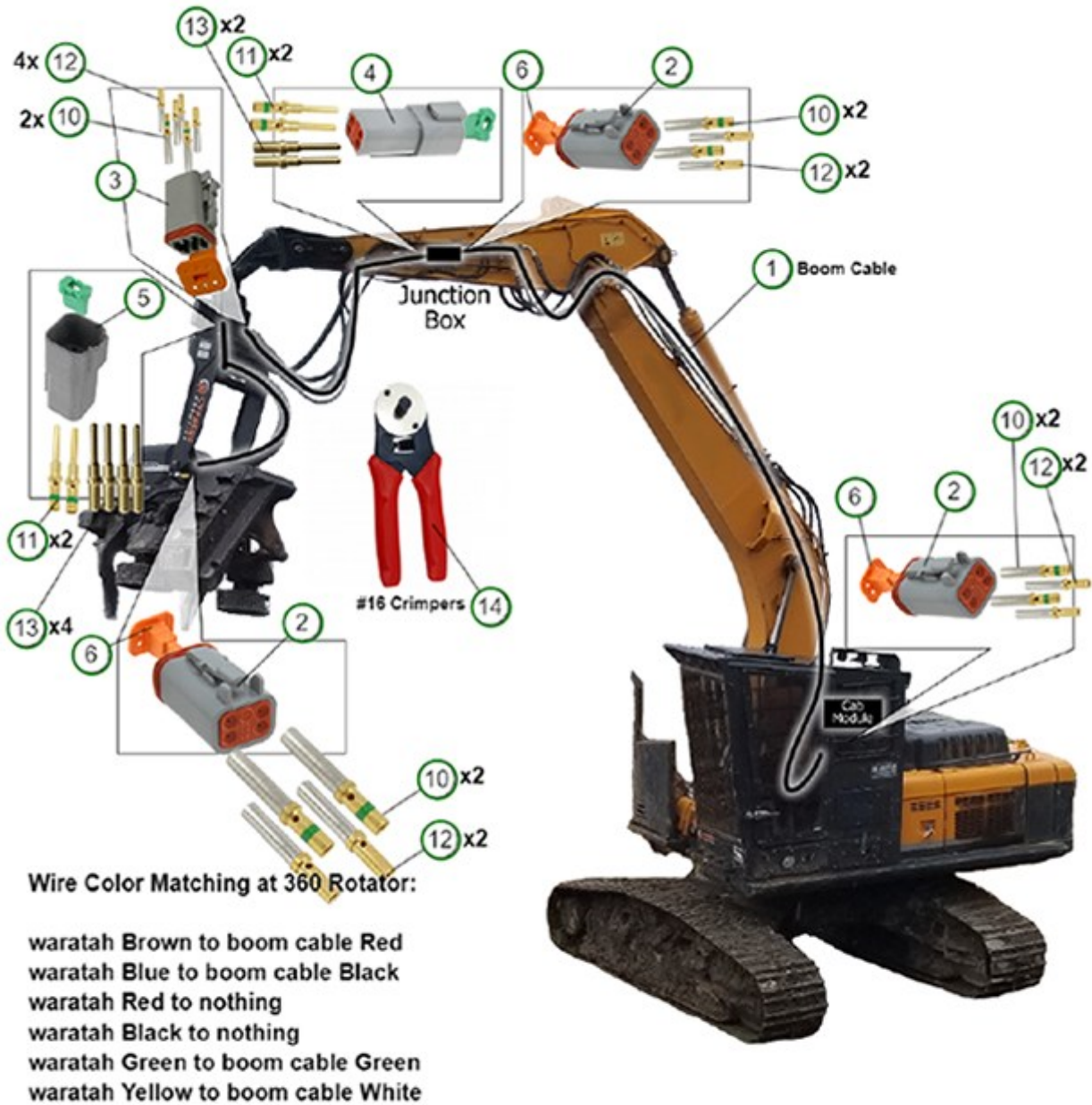


\*All manufacturers names, numbers, marks, trademarks and symbols and descriptions are used for reference purposes only. Use of parts not supplied from the original manufacturer on machines under manufacturer warranty could potentially void your manufacturer warranty. Machined parts are built by Axis, not the original manufacturer.

270° Rotation Heads - Boom Wiring, Axis Product Made to Fit TimberR

No.	Axis Part No	Qty	Description	Notes
1	CR100301	1	CABLE - BOOM ADAPTER	
2	EP456111	82	WIRE - 6 STRAND BOOM CABLE	SOLD PER FOOT
3	EP684013	1	JUNCTION BOX	
4	EP910146	3	DEUTSCH RECEPTACLE 6 PIN WITH WEDGE LOCK	
5	EP910150	1	DEUTSCH CRIMP TOOL 16 GAUGE	
6	EP910152	1	DEUTSCH SERVICE KIT	
7	EP910156	3	DEUTSCH CONNECTOR 6 PIN WITH WEDGE LOCK	
8	EP910166	4	DEUTSCH PLUG 6 WIRE WITH WEDGE LOCK	
9	EP910176	4	DEUTSCH PLUG 6 WIRE	
10	EP910308	2	DEUTSCH SOCKET TERMINAL #14	
11	EP910309	2	DEUTSCH PIN TERMINAL #14	
12	EP910310	4	DEUTSCH SOCKET TERMINAL #16	
13	EP910311	4	DEUTSCH PIN TERMINAL #16	
14	EP920601	4	WEDGE LOCK FOR 6 WIRE PLUG	
15	EP920602	3	WEDGE LOCK FOR 6 WIRE RECEPTACLE	

\*All manufacturers names, numbers, marks, trademarks and symbols and descriptions are used for reference purposes only. Use of parts not supplied from the original manufacturer on machines under manufacturer warranty could potentially void your manufacturer warranty. Machined parts are built by Axis, not the original manufacturer.



\*All manufacturers names, numbers, marks, trademarks and symbols and descriptions are used for reference purposes only. Use of parts not supplied from the original manufacturer on machines under manufacturer warranty could potentially void your manufacturer warranty. Machined parts are built by Axis, not the original manufacturer.

360° Rotation Heads - Boom Wiring, Cypress Gen6

No.	Axis Part No	Qty	Description	Notes
1	EP456106	82	CABLE - BOOM	SOLD PER FOOT
2	EP910174	3	DEUSTCH PLUG 4 WIRE	
3	EP910176	1	DEUTSCH PLUG 6 WIRE	
4	EP910134	1	DEUTSCH RECEPTACLE 4 WIRE	
5	EP910136	1	DEUSTCH RECEPTACLE 6 WIRE	
6	EP920401	3	DEUSTCH 4 WIRE PLUG	
7	EP920601	1	DEUSTCH 6 WIRE PLUG	
8	EP920602	1	DEUSTCH 6 WIRE PLUG FOR RECEPTACLE	
9	EP920402	1	DEUSTCH 4 WIRE PLUG FOR RECEPTACLE	
10	EP910308	8	DEUTSCH SOCKET TERMINAL #14	
11	EP910309	4	DEUTSCH PIN TERMINAL #16	
12	EP910310	10	DEUTSCH SOCKET TERMINAL #16	
13	EP910311	6	DEUTSCH PIN TERMINAL #16	
14	EP910150	1	DEUTSCH CRIMP TOOL 16 GAUGE	

\*All manufacturers names, numbers, marks, trademarks and symbols and descriptions are used for reference purposes only. Use of parts not supplied from the original manufacturer on machines under manufacturer warranty could potentially void your manufacturer warranty. Machined parts are built by Axis, not the original manufacturer.

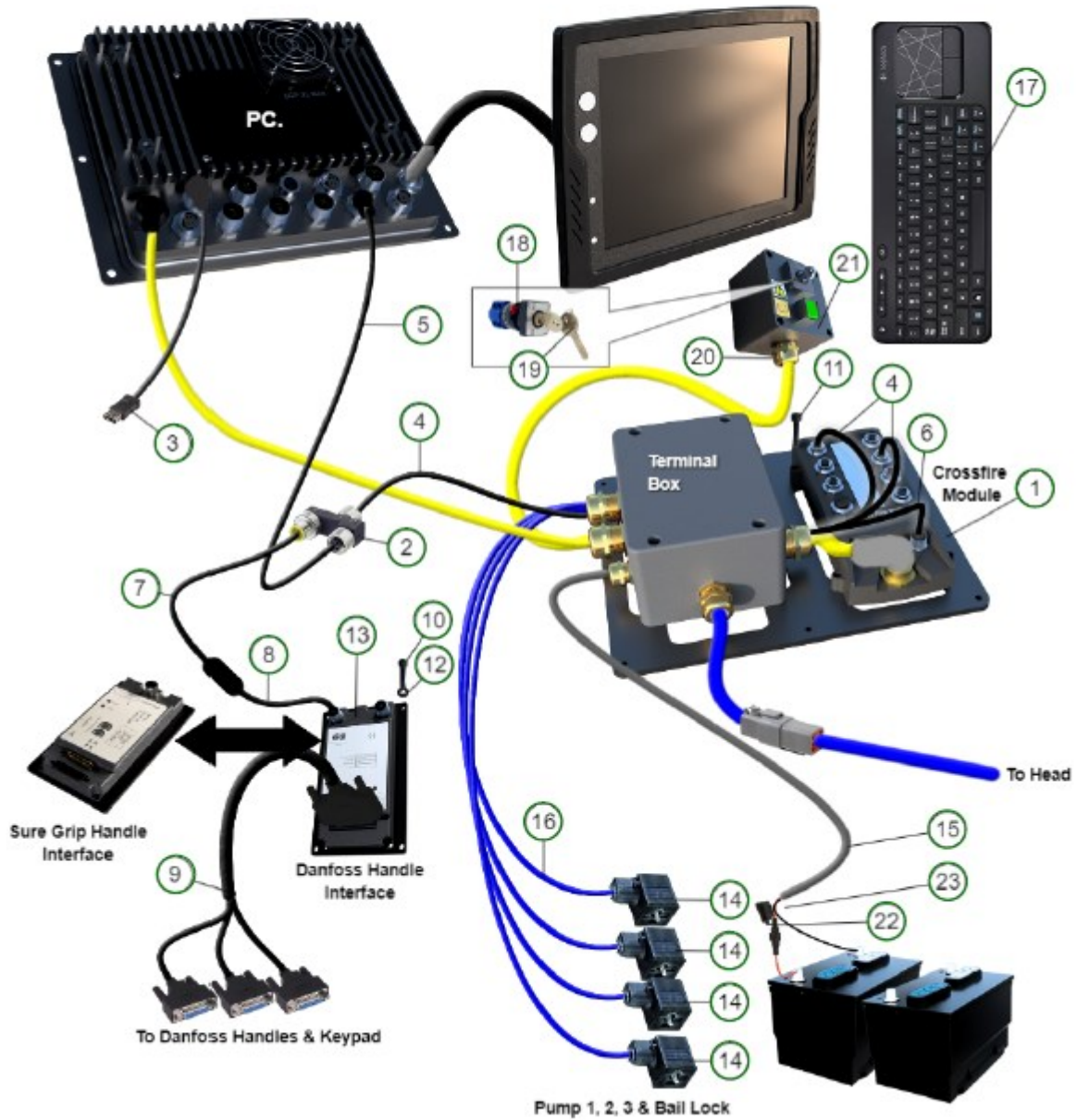


Touch Screen Cab Components - Axis Product Made To Fit TimberRite

No.	Axis Part No	Qty	Description	Notes
1	EP100213	1	CROSSFIRE & TERMINAL BOX MOUNT PLATE	
2	EP455100	4	DIN CONNECTOR	
3	EP456113	1	BATTERY CABLE	
4	EP456126	1	CABLE - 2 CONDUCTOR BLUE JACKET	SOLD PER FOOT
5	EP624708	1	CORDLESS KEYBOARD	
6	EP683001	1	KEY SWITCH	
7	EP683002	1	REPLACEMENT KEY	
8	EP687000	1	KEY SWITCH ASSEMBLY	
9	EP698740	1	GLAND	
10	EP750786	1	RAM MOUNT	
11	EP860007	1	CANBUS TEE CONNECTOR	
12	EP860052	2	USB CABLE TO TIMBERRITE TOUCH SCREEN	
13	EP860053	3	WIRE LEAD	
14	EP860054	1	CABLE - CANBUS TO TEE	
15	EP860055	1	CABLE - CROSSFIRE CANBUS TO TERMINAL BOX	
16	EP860056	1	CABLE - CANBUS TEE TO JOYSTICK INTERFACE	
17	EP750057	1	CANBUS CABLE - DANFOSS GRIP INTERFACE	
18	EP860059	1	TIMBERRITE TOUCH SCREEN POWER CABLE	
19	EP860060	1	CABLE - DANFOSS JOYSTICK INTERFACE TO JOYSTICK & KEYPAD PLUGS	
20	EP860061	1	TIMBERRITE HEAD CABLE SHORT ADAPTER	
21	EP860063	1	CROSSFIRE POWER CABLE	
22	EP806203	1	JOYSTICK INTERFACE MOUNT	
23	EP990001	1	INLINE FUSE HOLDER	
24	EP990002	1	FUSE	
25	GFB80405	4	BOLT S/CAP - M4 X 5MM	
26	GFB80416	4	BOLT M4 X 16MM SOCKET HEAD	
27	GFW9004	4	WAVE WASHER 4MM	
28	GFB80516	4	BOLT - M5 X 16MM SOCKET HEAD	
29	GFB90616	4	SCREW - BUTTONHEAD M6X16	
30	GFW105	4	WASHER - M5 FLAT	
31	GFW106	4	WASHER - M5 FLAT	
32	GFW605	4	WASHER - M5 INTERNAL STAR	
33	GFW606	4	WASHER - M6 INTERNAL STAR	

\*All manufacturers names, numbers, marks, trademarks and symbols and descriptions are used for reference purposes only. Use of parts not supplied from the original manufacturer on machines under manufacturer warranty could potentially void your manufacturer warranty. Machined parts are built by Axis, not the original manufacturer.

Cab Components - Axis Product Made to Fit TimberRite



\*All manufacturers names, numbers, marks, trademarks and symbols and descriptions are used for reference purposes only. Use of parts not supplied from the original manufacturer on machines under manufacturer warranty could potentially void your manufacturer warranty. Machined parts are built by Axis, not the original manufacturer.

PC Cab Components - Axis Product Made To Fit TimberRite

No.	Axis Part No	Qty	Description	Notes
1	EP100213	1	TIMBERRITE CROSSFIRE & TERMINAL BOX MOUNT PLATE	
2	EP860007	1	2-WAY TEE CONNECTOR FOR CANBUS	
3	EP860051	1	USB CABLE - FITS TO TIMBERRITE PC	
4	EP860053	1	WIRE LEAD	
5	EP860054	1	CABLE - TIMBERRITE CANBUS PC TO TEE	
6	EP860055	1	CABLE - CROSSFIRE CANBUS TO TERMINAL BOX	
7	EP860056	1	CABLE - CABUS TEE TO JOYSTICK INTERFACE	
8	EP860057	1	CABLE - DANFOSS GRIP INTERFACE TO CANBUS	
9	EP860060	1	CABLE ASSY -	
10	GFB80405	4	BOLT - S/CAP M4 X 5MM	
11	GFB80416	4	BOLT - M4 X 16MM SOCKET HEAD	
12	GFW9004	4	WAVE WASHER - M4	
13	EP806203	1	TIMBERRITE JOYSTICK INTERFACE MOUNT	
14	EP455100	4	DIN CONNECTOR	
15	EP456113	1	BATTERY CABLE 2 CONDUCTOR	
16	EP456126	1	CABLE-3 CONDUCTOR (SOLD PER FOOT)	
17	EP624708	1	CORDLESS KEYBOARD	
18	EP683001	1	KEYSWITCH	
19	EP683002	1	REPLACEMENT KEY	
20	EP698470	1	GLAND PG16	
21	EP687000	1	AXIS MADE KEY SWITCH ASSY	
22	EP990001	1	INLINE FUSE HOLDER	
23	EP990002-10	1	FUSE - 10A	

\*All manufacturers names, numbers, marks, trademarks and symbols and descriptions are used for reference purposes only. Use of parts not supplied from the original manufacturer on machines under manufacturer warranty could potentially void your manufacturer warranty. Machined parts are built by Axis, not the original manufacturer.

Terminal Box - Axis Product Made to Fit TimberRite



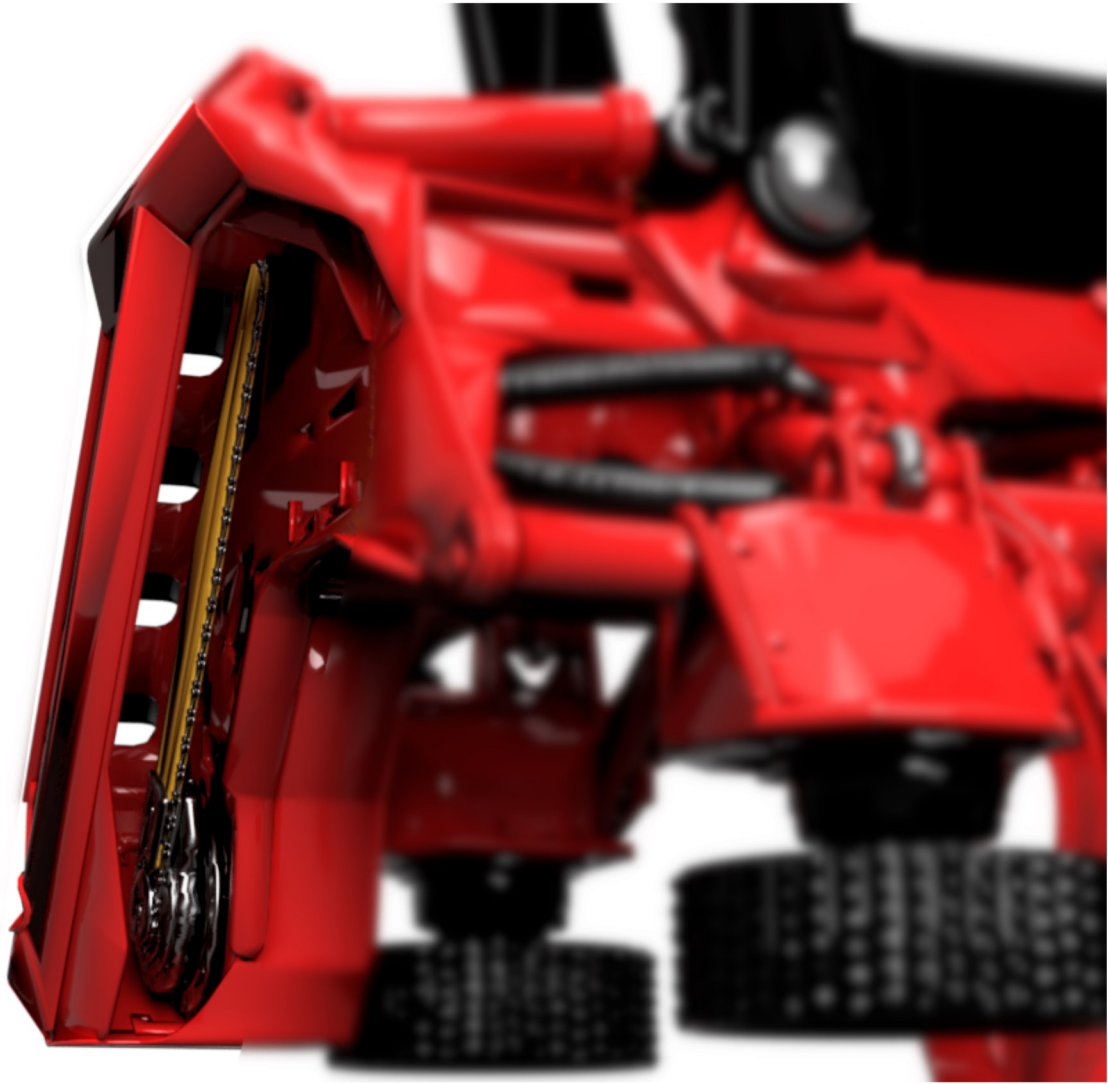
\*All manufacturers names, numbers, marks, trademarks and symbols and descriptions are used for reference purposes only. Use of parts not supplied from the original manufacturer on machines under manufacturer warranty could potentially void your manufacturer warranty. Machined parts are built by Axis, not the original manufacturer.

Terminal Box - Axis Product Made To Fit TimberRite

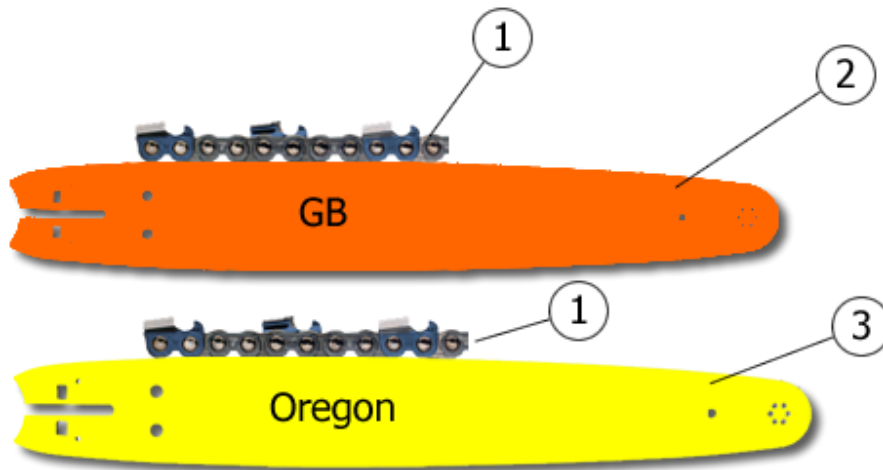
No.	Axis Part No	Qty	Description	Notes
1	EP900201	1	TERMINAL BOX COMPLETE WITH TERMINALS &	
2	EP689001	1	DECAL	
3	EP689002	1	TERMINAL BLOCK	
4	EP689003	1	END & INTERMEDIATE PLATE ORANGE	
5	EP689004	1	END STOP 10MM	
6	EP689005	1	END STOP 6MM	
7	EP689006	1	TERMINAL BLOCK	
8	EP689007	5	INTERMEDIATE PLATE ORANGE	
9	EP689009	3	RELAY BASE	
10	EP689010	3	RELAY	
11	EP689011	1	MOUNTING RAIL	
12	EP689012	1	ENCLOSURE	
13	EP900208	4	JUMPER	
14	EP698750	1	GLAND	
15	EP698280	1	INSERT 2 HOLE	
16	EP698460	1	INSERT 4 HOLE	
17	EP698740	1	GLAND	
18	EP698720	1	GLAND	
19	GFB90510	1	BOLT - M5 X 10MM BUTTONHEAD	
20	GFW105	1	WASHER - M5 FLAT	
21	GFW605	1	WASHER - M5 INTERNAL STAR	

\*All manufacturers names, numbers, marks, trademarks and symbols and descriptions are used for reference purposes only. Use of parts not supplied from the original manufacturer on machines under manufacturer warranty could potentially void your manufacturer warranty. Machined parts are built by Axis, not the original manufacturer.





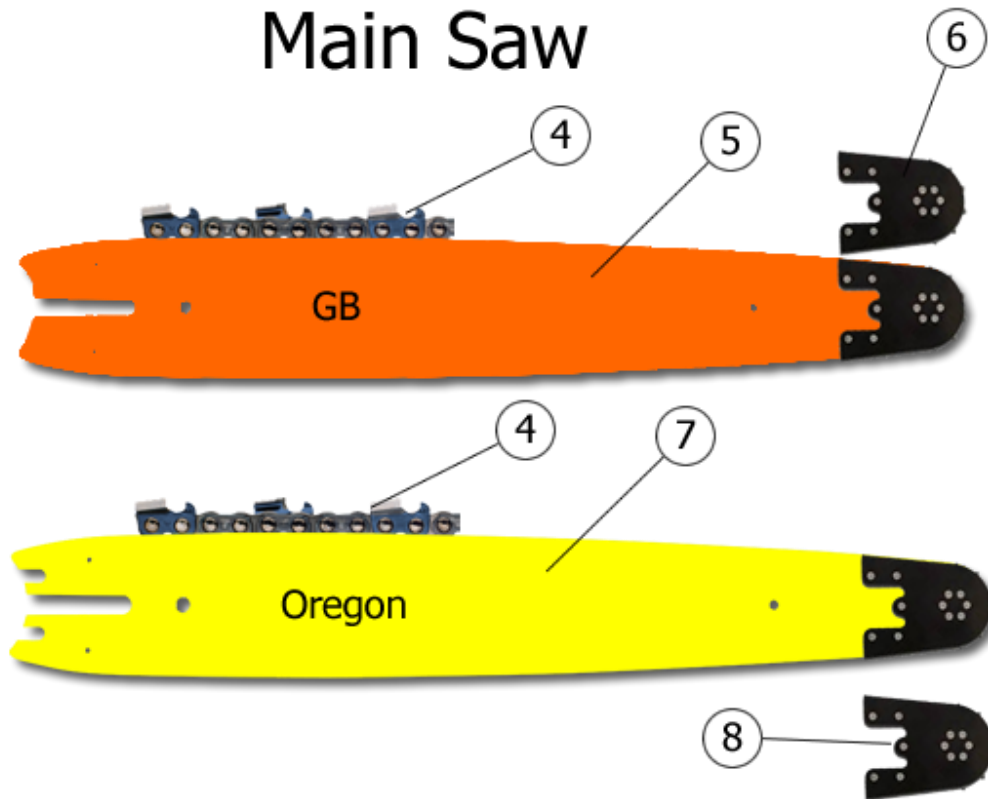
**SAWS GROUP**



## Top Saw

---

## Main Saw



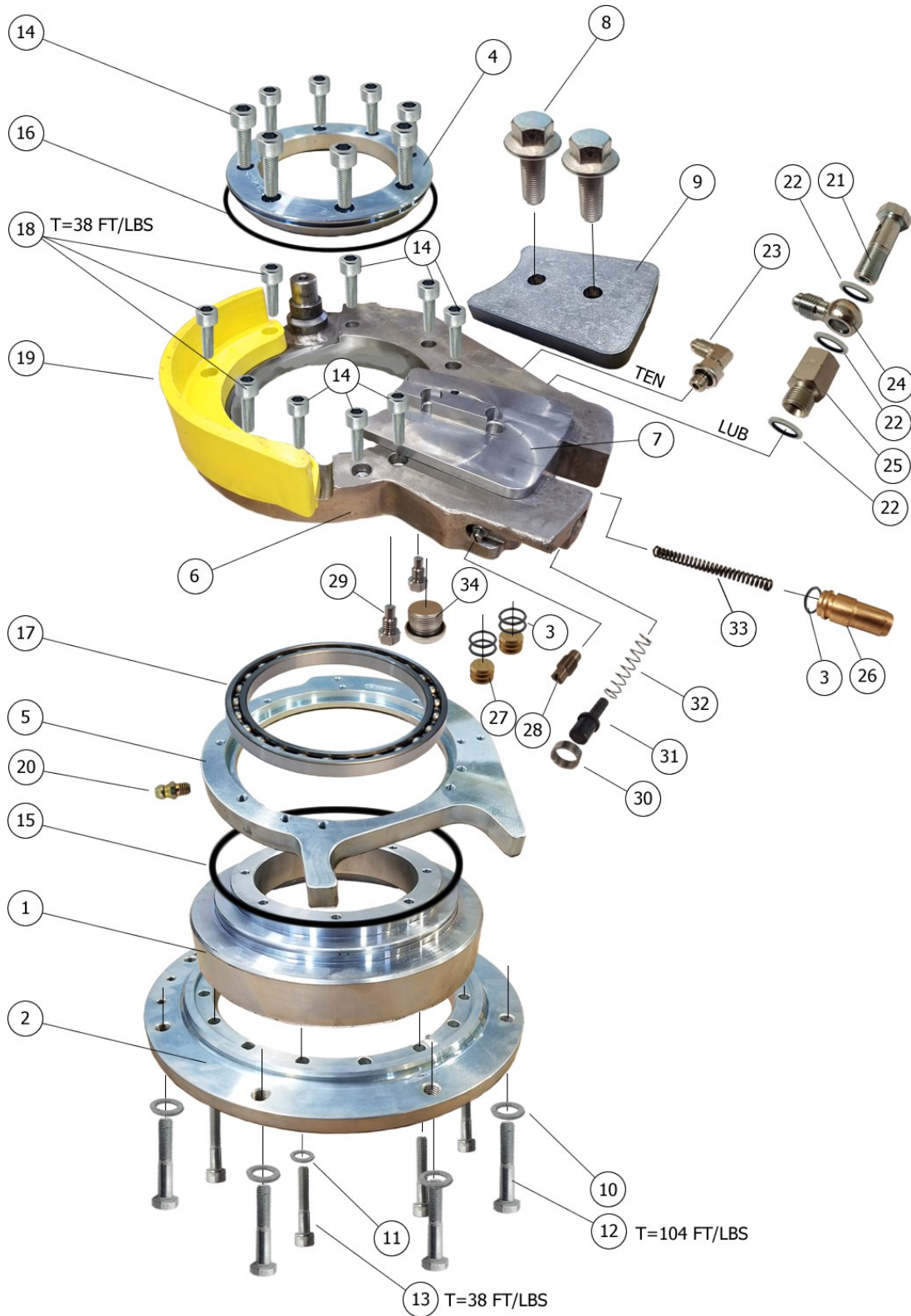
\*All manufacturers names, numbers, marks, trademarks and symbols and descriptions are used for reference purposes only. Use of parts not supplied from the original manufacturer on machines under manufacturer warranty could potentially void your manufacturer warranty. Machined parts are built by Axis, not the original manufacturer.

## Bar & Chain

No.	Axis Part No	Qty	Description	Notes
1	ORE18HX074E	1	SAW CHAIN - .404 74 DRIVER	
2	GBFM2-21-80XV	1	TOP SAW BAR GB BRAND	
3	ORE642SMRQ114	1	TOP SAW BAR OREGON BRAND	
4	ORE11H056E	1	SAW CHAIN - 3/4" 56 DRIVER	
5	GBWBSM35-122BC	1	MAIN SAW BAR GB BRAND	
6	TBA	1	REPLACEABLE TIP	
7	ORE351SNCT219	1	MAIN SAW BAR OREGON BRAND	
8	TBA	1	REPLACEABLE TIP	

\*All manufacturers names, numbers, marks, trademarks and symbols and descriptions are used for reference purposes only. Use of parts not supplied from the original manufacturer on machines under manufacturer warranty could potentially void your manufacturer warranty. Machined parts are built by Axis, not the original manufacturer.

Auto Tension 3/4" Main Saw



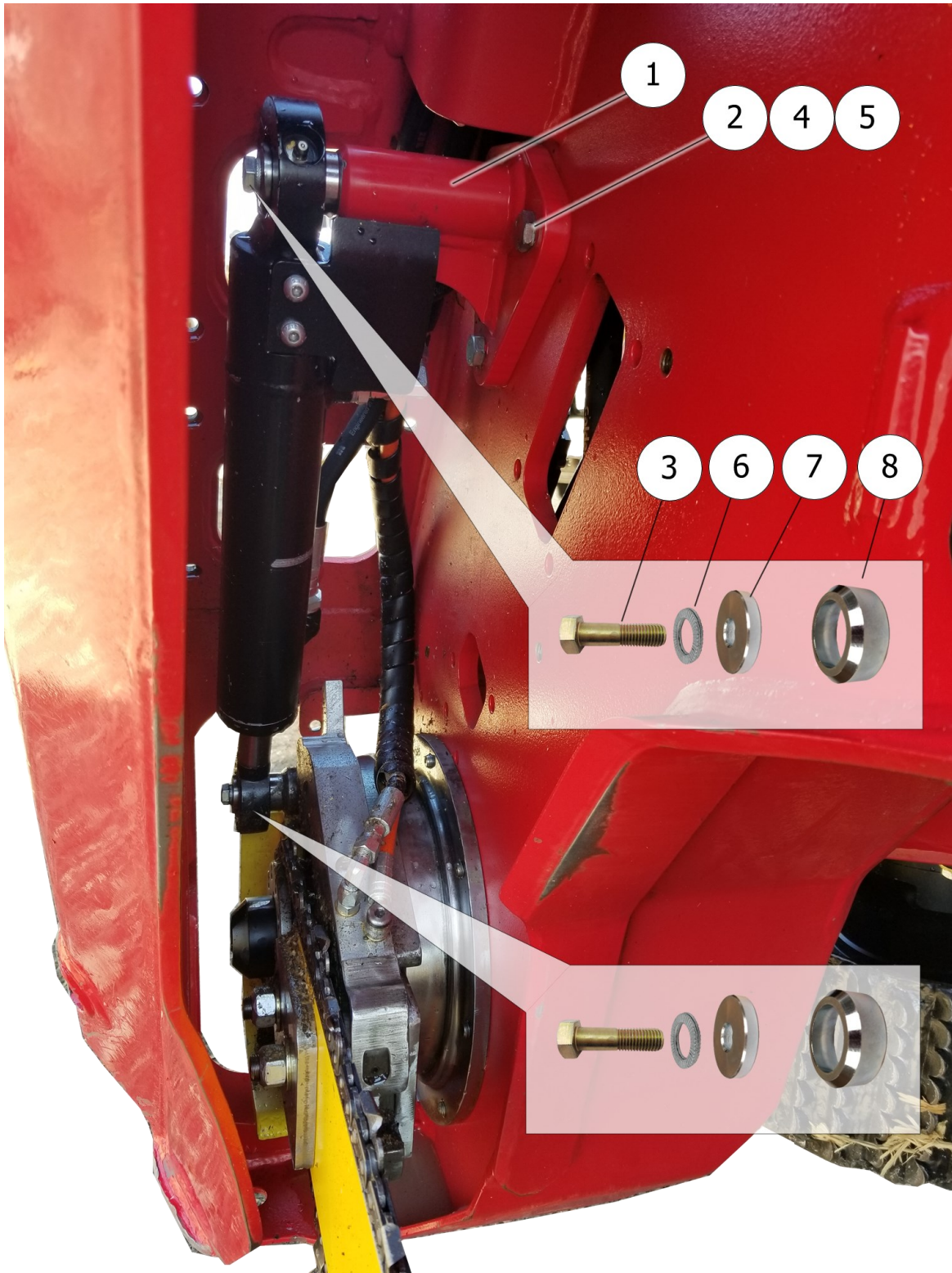
\*All manufacturers names, numbers, marks, trademarks and symbols and descriptions are used for reference purposes only. Use of parts not supplied from the original manufacturer on machines under manufacturer warranty could potentially void your manufacturer warranty. Machined parts are built by Axis, not the original manufacturer.

Auto Tension 3/4" Main Saw

No.	Axis Part No	Qty	Description	Notes
1	MS437001	1	HOUSING	
2	MS437002	1	RING	
3	T232457	5	O-RINGS FOR TENSION PISTONS	
4	MS437008	1	PLATE	
5	MS437009	1	RING	
6	MS437013	1	SWING ARM ASSEMBLY	
7	MS437031	1	BAR MOUNT ASSY	
8	MS437023	2	BOLT - 3/4 AUTO TENSION	
9	MS437032	1	CLAMP PLATE	
10	GFW5500	6	ANTI-VIBRATION LOCKWASHER 1./2" (m12)	
11	GFW5312	1	ANTI-VIBRATION LOCKWASHER 5/16" (M8)	
12	GFB71235	6	BOLT - M12 X 35MM HEX HEAD	
13	GFB80840	8	BOLT - M8 X40MM SOCKET HEAD	
14	GFB80835	14	BOLT - M8 X 35MM SOCKET HEAD	
15	T1899467V	1	O-RING	
16	T1679517A	1	O-RING	
17	BR115758	1	BEARING	
18	GFB80845	3	BOLT - M8 X 45MM SOCKET HEAD	
19	MS434008	1	CHAIN SHOT GUARD	
20	GFZ6	1	M6 GREASE FITTING	
21	HF110	1	BANJO SCREW	
22	BSP2	2	BONDED SEAL #2 (1/8")	
23	HF2949-4-2	1	FITTING - #4 JIC MALE X #2 BSP 90 DEGREE	
24	HF109	1	FITTING ADAPTER BANJO TO JIC #4	
25	HF4050-2-2	1	FITTING EXTENDER MALE BSP 2 TO FEM BSP 2	
26	MS437014	1	PISTON CHAIN TENSION	
27	MS345022	2	PISTON BAR CLAMP TENSION	
28	MS345103	1	CHECK VALVE-CHAIN TENSION RELEASE	REQUIRES M7 SOCKET TO RELEASE
29	MS345706	1	BOLTS-BAR MOUNT GUIDE BOLTS	
30	MS345128	1	LOCK PIN RETAINING COLLAR	
31	MS345028	1	LOCKING PIN	
32	MS345529	1	SPRING	
33	MS345554	1	SPRING	
34	HF41-26	1	PLUG M26	

\*All manufacturers names, numbers, marks, trademarks and symbols and descriptions are used for reference purposes only. Use of parts not supplied from the original manufacturer on machines under manufacturer warranty could potentially void your manufacturer warranty. Machined parts are built by Axis, not the original manufacturer.

## Main Saw Cylinder Mounting



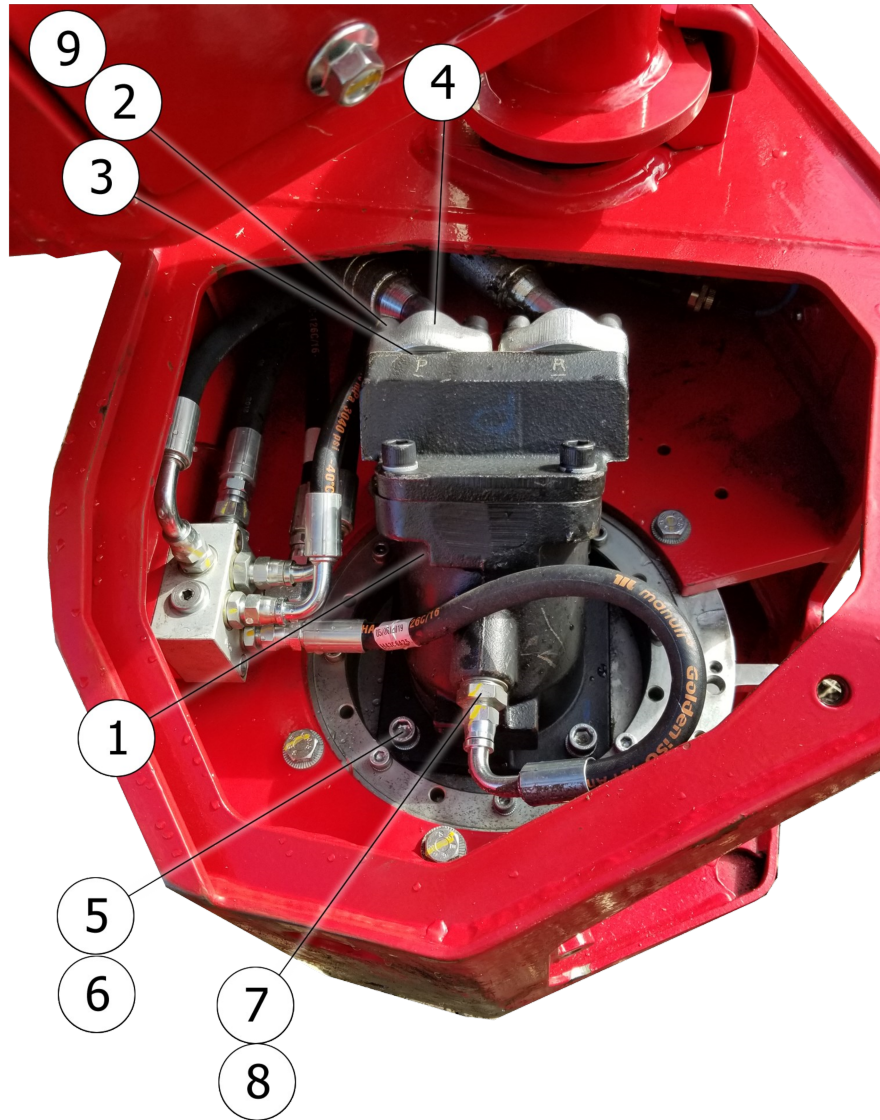
\*All manufacturers names, numbers, marks, trademarks and symbols and descriptions are used for reference purposes only. Use of parts not supplied from the original manufacturer on machines under manufacturer warranty could potentially void your manufacturer warranty. Machined parts are built by Axis, not the original manufacturer.

## Main Saw Cylinder Mounting

No.	Axis Part No	Qty	Description	Notes
1	MS437028	1	MOUNT	
2	GFB71250	3	HEX BOLT M12 X 50mm	
3	GFB71030	2	HEX BOLT M10 X 30mm	
4	GFW212	3	HARDENED WASHER M12	
5	GFN612	3	NUT NYLOCK M12	
6	GFW5375	2	ANTI-VIBRATION LOCK WASHER M10	
7	MS437012	2	SPACER	
8	MS437011	2	SPACER	

\*All manufacturers names, numbers, marks, trademarks and symbols and descriptions are used for reference purposes only. Use of parts not supplied from the original manufacturer on machines under manufacturer warranty could potentially void your manufacturer warranty. Machined parts are built by Axis, not the original manufacturer.

## Main Saw Motor Mounting



\*All manufacturers names, numbers, marks, trademarks and symbols and descriptions are used for reference purposes only. Use of parts not supplied from the original manufacturer on machines under manufacturer warranty could potentially void your manufacturer warranty. Machined parts are built by Axis, not the original manufacturer.

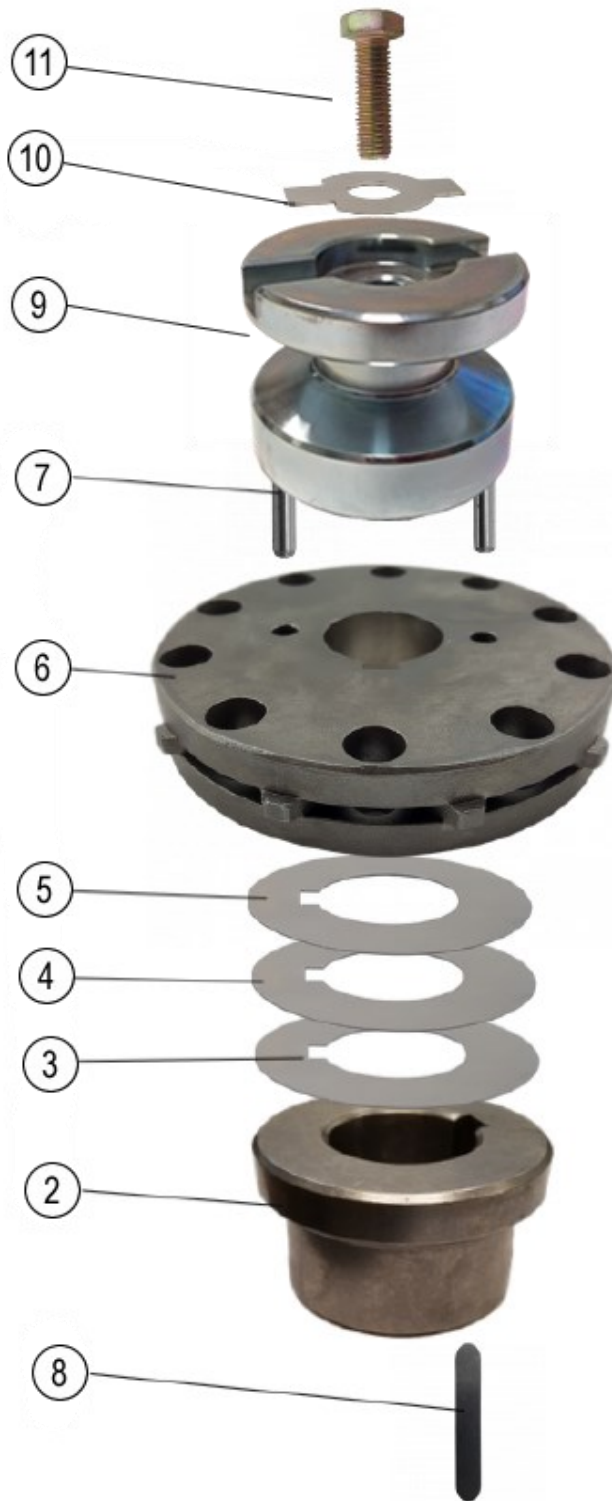
## Main Saw Motor Mounting

No.	Axis Part No	Qty	Description	Notes
1	MT434001	1	SAW MOTOR	
2	GFB1035	8	BOLT SOCKET CAP M10 X 35mm	
3	R24523C	2	O-RING	
4	HF161016K	2	FLANGE CLAMPS CODE 62 #12	
5	GFB81235	4	BOLT SOCKET CAP M12 X 35mm	
6	GFW212	4	WASHER M12	
7	HF2091-6-18	1	FITTING JIC MALE #6 X M18	
8	BSP18M	1	BONDED SEAL	
9	GFW5375	8	ANTI-VIBRATION LOCK WASHER M10	

\*All manufacturers names, numbers, marks, trademarks and symbols and descriptions are used for reference purposes only. Use of parts not supplied from the original manufacturer on machines under manufacturer warranty could potentially void your manufacturer warranty. Machined parts are built by Axis, not the original manufacturer.

### 3/4" Auto Tension Main Saw Sprocket Assembly

① Complete Kit



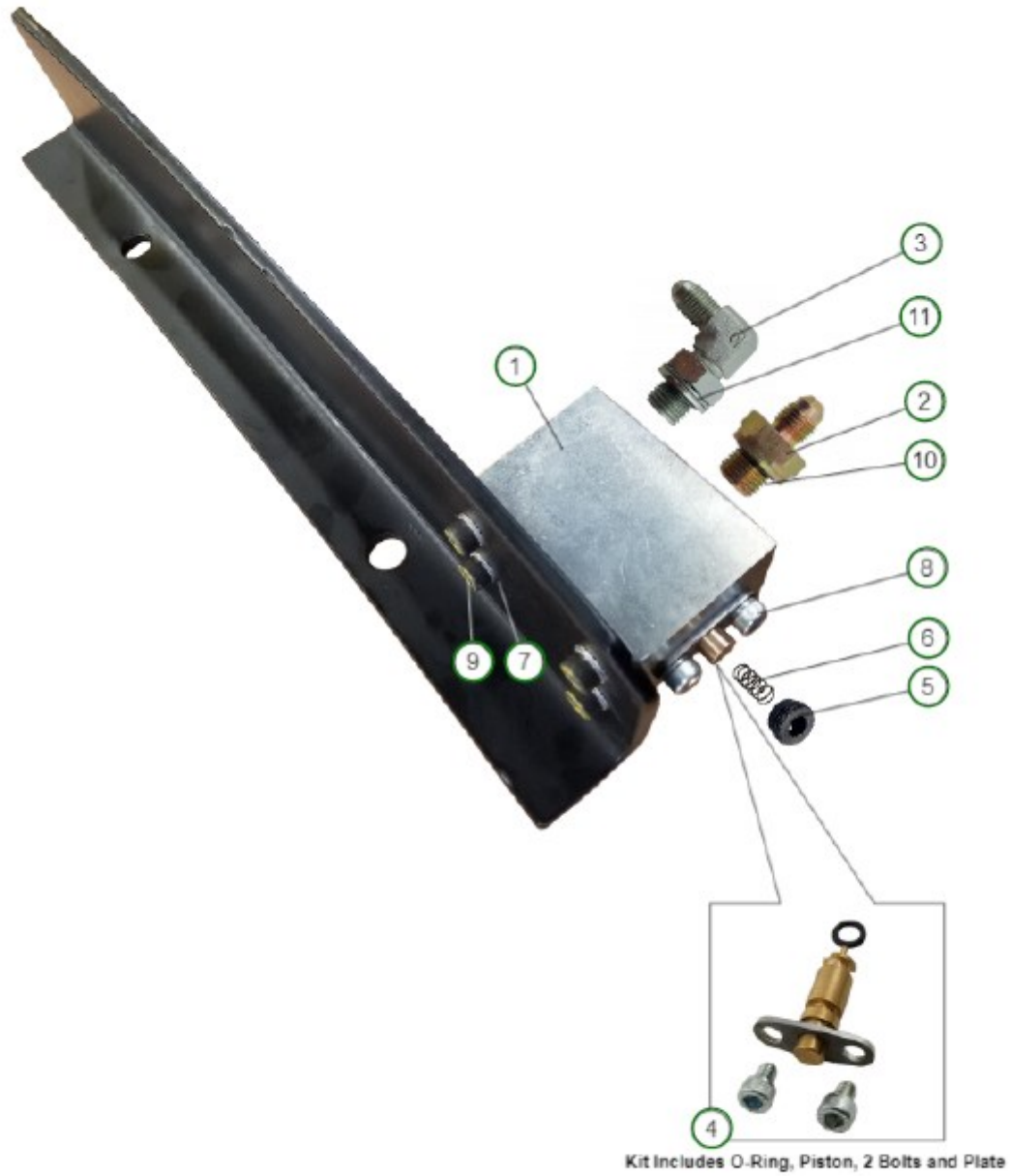
\*All manufacturers names, numbers, marks, trademarks and symbols and descriptions are used for reference purposes only. Use of parts not supplied from the original manufacturer on machines under manufacturer warranty could potentially void your manufacturer warranty. Machined parts are built by Axis, not the original manufacturer.

## 3/4" Auto Tension Main Saw Sprocket Assembly

No.	Axis Part No	Qty	Description	Notes
1	MS437030	1	COMPLETE KIT	
2	MS437020	1	SPACER	
3	MS435025	1	SHIM - 0.25MM	
4	MS435050	1	SHIM - 0.50MM	
5	MS435100	1	SHIM - 1.00MM	
6	HR819	1	10 TOOTH RIM SPROCKET	
7	DP060030	2	DOWEL PIN	
8	MS435009	1	KEYWAY	
9	MS435001	1	SPROCKET RETAINER	
10	MS434152	1	LOCKTAB WASHER	
11	GFB71240	1	BOLT - M12 X 40MM HEX HEAD	

\*All manufacturers names, numbers, marks, trademarks and symbols and descriptions are used for reference purposes only.  
Use of parts not supplied from the original manufacturer on machines under manufacturer warranty could potentially void your  
manufacturer warranty. Machined parts are built by Axis, not the original manufacturer.

### 3/4" Auto Tension Release Manifold



Kit Includes O-Ring, Piston, 2 Bolts and Plate

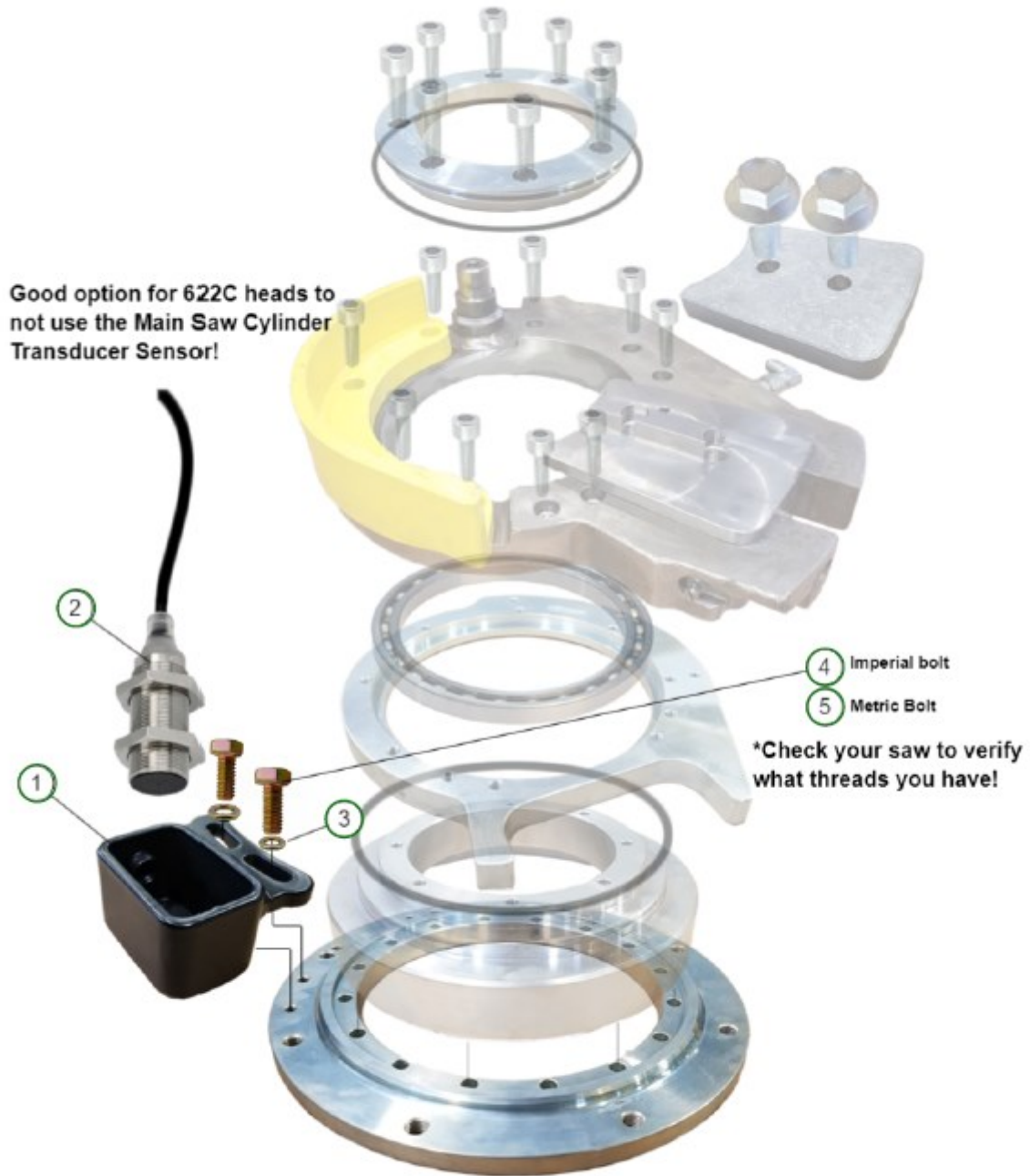
\*All manufacturers names, numbers, marks, trademarks and symbols and descriptions are used for reference purposes only. Use of parts not supplied from the original manufacturer on machines under manufacturer warranty could potentially void your manufacturer warranty. Machined parts are built by Axis, not the original manufacturer.

3/4" Auto Tension Release Manifold

No.	Axis Part No	Qty	Description	Notes
1	MS437019	1	TENSION RELEASE BLOCK	
2	HF2040-4-4	1	FITTING - #4 JIC MALE X #4 BSPP MALE	
3	HF2949-4-4	1	FITTING - #4 JIC MALE X #4 BSPP MALE 90 DEGREE	
4	MS325441	1	PILOT VALVE	
5	MS345026	1	CHECK VALVE	
6	MS345553	1	COMPRESSION SPRING	
7	GFW5250	4	ANTI-VIBRATION LOCKWASHER 1/2" (M4)	
8	GFB80608	2	BOLT - M6 X 8MM SOCKET HEAD	
9	GFB80620	4	BOLT - M6 X 20MM SOCKET HEAD	
10	BSP4	1	BONDED SEAL - BSP #4 (1/4")	
11	R24420C	1	O-RING	

\*All manufacturers names, numbers, marks, trademarks and symbols and descriptions are used for reference purposes only. Use of parts not supplied from the original manufacturer on machines under manufacturer warranty could potentially void your manufacturer warranty. Machined parts are built by Axis, not the original manufacturer.

### 3/4" Main Saw Proximity Sensor



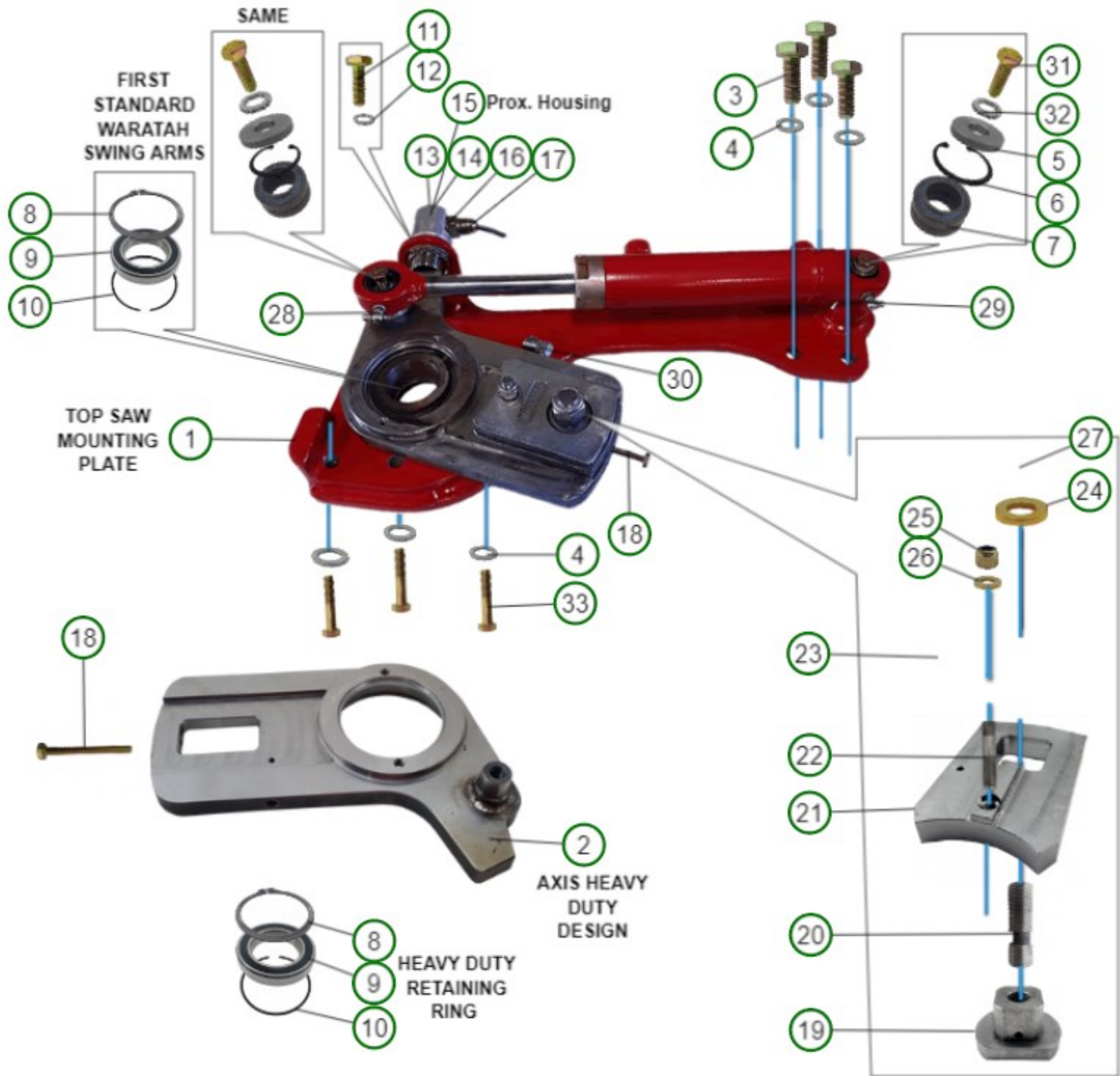
\*All manufacturers names, numbers, marks, trademarks and symbols and descriptions are used for reference purposes only. Use of parts not supplied from the original manufacturer on machines under manufacturer warranty could potentially void your manufacturer warranty. Machined parts are built by Axis, not the original manufacturer.

3/4" Main Saw Proximity Sensor

No.	Axis Part No	Qty	Description	Notes
1	MS434724	1	PROX SWITCH HOLDER	
2	EP455105	1	SAW HOM PROXIMITY SWITCH	
3	GFW1312	2	WASHER 5/16"	
4	GFB1312075	2	BOLT - 5/16 X 0.75" UNC HEX HEAD	
5	GFB70820	2	BOLT - M8 X 20 HEX HEAD	

\*All manufacturers names, numbers, marks, trademarks and symbols and descriptions are used for reference purposes only. Use of parts not supplied from the original manufacturer on machines under manufacturer warranty could potentially void your manufacturer warranty. Machined parts are built by Axis, not the original manufacturer.

722CR Top Saw Assembly



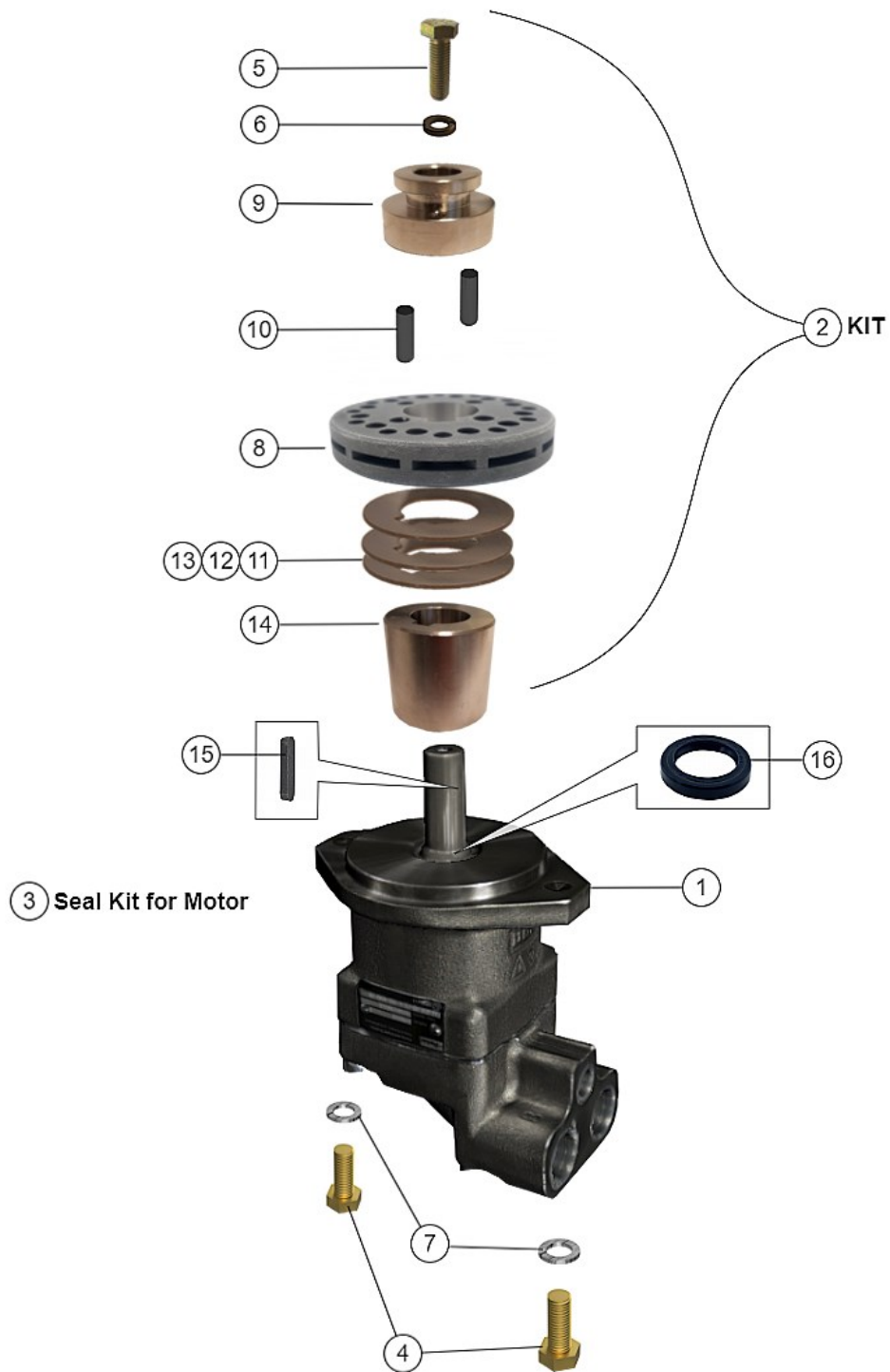
\*All manufacturers names, numbers, marks, trademarks and symbols and descriptions are used for reference purposes only. Use of parts not supplied from the original manufacturer on machines under manufacturer warranty could potentially void your manufacturer warranty. Machined parts are built by Axis, not the original manufacturer.

## 722CR Top Saw Assembly

No.	Axis Part No	Qty	Description	Notes
1	TS955009	1	TOP SAW MOUNT PLATE	
2	TS955000	1	SWING ARM MOUNT	
3	GFB71230		BOLT, M12 X 30MM HEX HEAD	
4	GFW5500		ANTIVIBRATION LOCKWASHER, 1/2" (M12)	
5	BW251004		SPACER, TOP SAW CYLINDER	
6	GFS551		SNAP RING	
7	SBB12-2RS/Z		SPHERICAL BUSHING	
8	GFS19060		RETAINING RING, TOP SAW EXTERNAL	
9	BR115751		SINGLE ROW BALL BEARING	
10	GFS29095		RETAINING RING	
11	GFB1250075		BOLT, 1/4" X 0.75" UNC HEX HEAD	
12	GFW5250		ANTIVIBRATION LOCKWASHER, 1/4" (M6)	
13	EP455105		SAW HOME PROXIMITY SWITCH	
14	TS955010		MOUNT, TOP SAW PROXIMITY SWITCH	
15	TS955017		HOUSING, TOP SAW PROXIMITY SWITCH	
16	BSP6		BONDED SEAL, #6 (3/8")	
17	HF2040-8-6		FITTING, #8 JIC MALE X #6 BSP MALE	
18	GFB2250225FT		BOLT, TOP SAW TENSIONER	
19	TS955003		ADJUSTER BLOCK	
20	TS955016		STUD, 5/8" UNF	
21	TS955001		BAR MOUNT	
22	TS955015		STUD, 3/8" UNF	
23	TS955002		BAR CLAMP	
24	GFW1625		WASHER, 5/8" HARDENED	
25	GFN5375		NYLOCK NUT, 3/8" UNF	
26	GFW1375		WASHER, 3/8" HARDENED	
27	GFN5625		NYLOCK NUT, 5/8" UNF	
28	GFZ14P45		GREASE FITTING, 1/4" X 45 DEGREE	
29	GFZ14P		GREASE FITTING, 1/4-28	
30	HF2947-4-2		FITTING, #4 JIC MALE X #2 BSP MALE 90	
31	GFB1375125		BOLT, 3/8" X 1.25" UNC HEX HEAD	
32	GFW5375		ANTIVIBRATION LOCKWASHER, 3/8" (M10)	
33	GFB1500250		BOLT, 1/2" X 2.5" UNC HEX HEAD	

\*All manufacturers names, numbers, marks, trademarks and symbols and descriptions are used for reference purposes only. Use of parts not supplied from the original manufacturer on machines under manufacturer warranty could potentially void your manufacturer warranty. Machined parts are built by Axis, not the original manufacturer.

722CR Top Saw Sprocket Kit



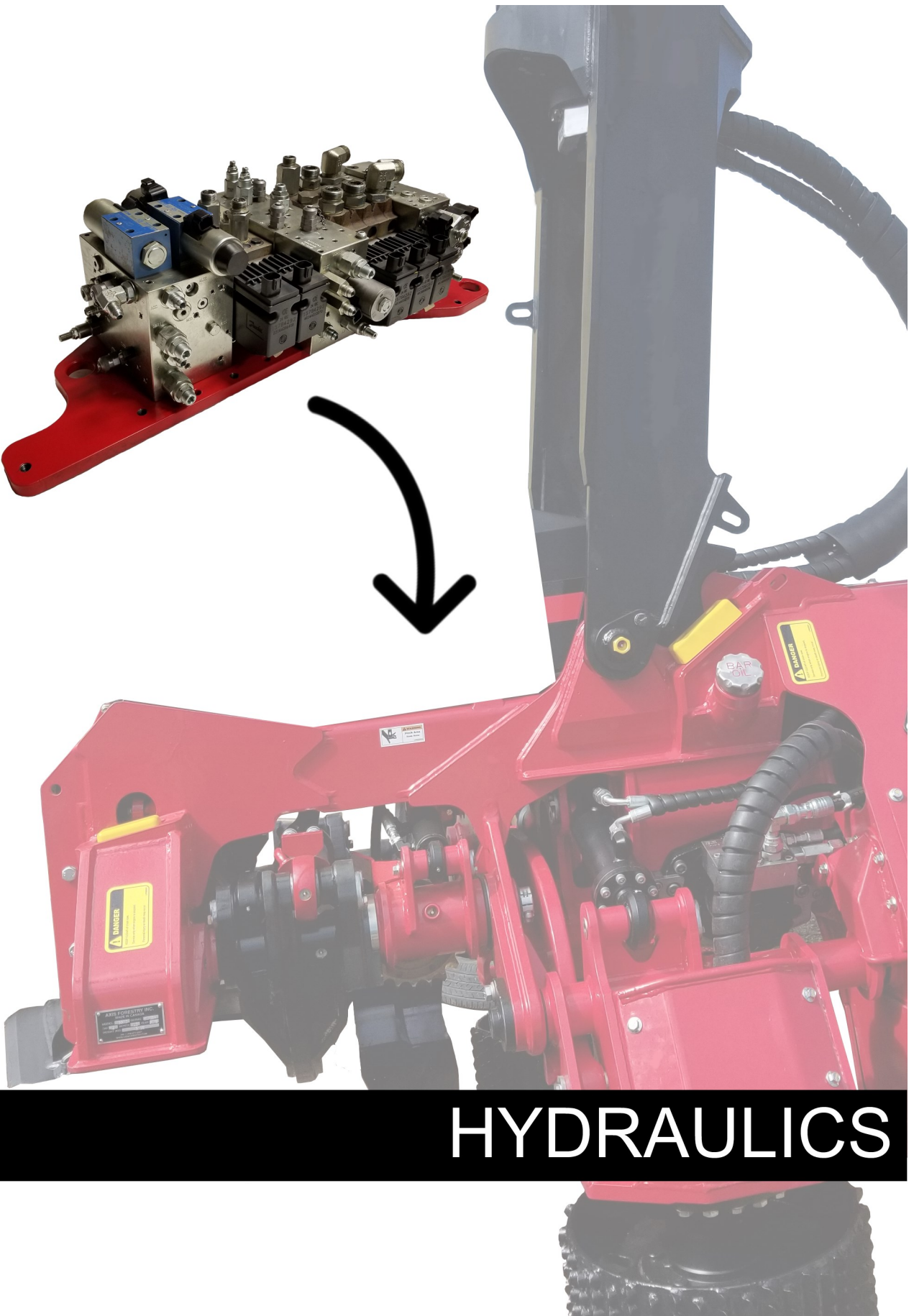
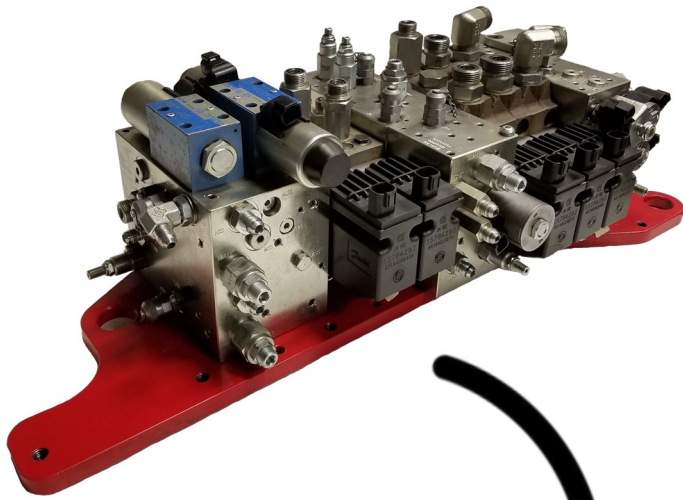
\*All manufacturers names, numbers, marks, trademarks and symbols and descriptions are used for reference purposes only. Use of parts not supplied from the original manufacturer on machines under manufacturer warranty could potentially void your manufacturer warranty. Machined parts are built by Axis, not the original manufacturer.

722CR Top Saw Sprocket Kit

No.	Axis Part No	Qty	Description	Notes
1	MT945301	1	SAW MOTOR	
2	TS945000	1	SPROCKET KIT	
3	SK945300	1	TOP SAW MOTOR SEAL KIT	
4	GFB1500125	2	BOLT - 1/2" X 1.25" UNC HEX	
5	GFB70625	1	BOLT - M6 X 25MM HEX HEAD	
6	GFW5250	1	ANTI-VIBRATION LOCKWASHER 1/4"	
7	GFW5500	2	ANTI-VIBRATION LOCKWASHER 1/2"	
8	RSB11-404	1	SPROCKET 11T	
9	TS945001	1	CHAIN CATCHER	
10	TS945620	2	DOWEL PIN	
11	TS945025	1	SHIM - 0.25MM	
12	TS945050	1	SHIM - 0.50MM	
13	TS945100	1	SHIM - 1.00MM	
14	TS945004	1	SPACER	
15	TS945635	1	KEYWAY	
16	SS523004	1	SHAFT SEAL	

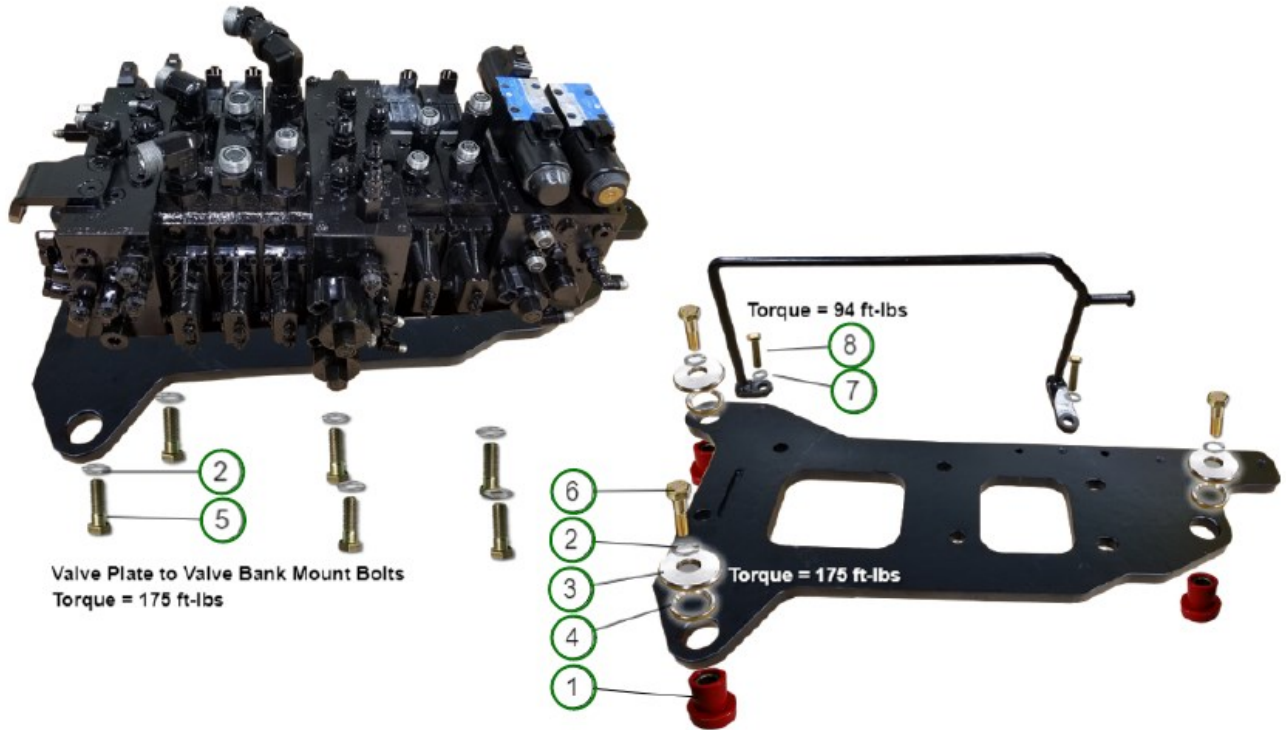
\*All manufacturers names, numbers, marks, trademarks and symbols and descriptions are used for reference purposes only. Use of parts not supplied from the original manufacturer on machines under manufacturer warranty could potentially void your manufacturer warranty. Machined parts are built by Axis, not the original manufacturer.





# HYDRAULICS

722CR Valve Bank Mounting



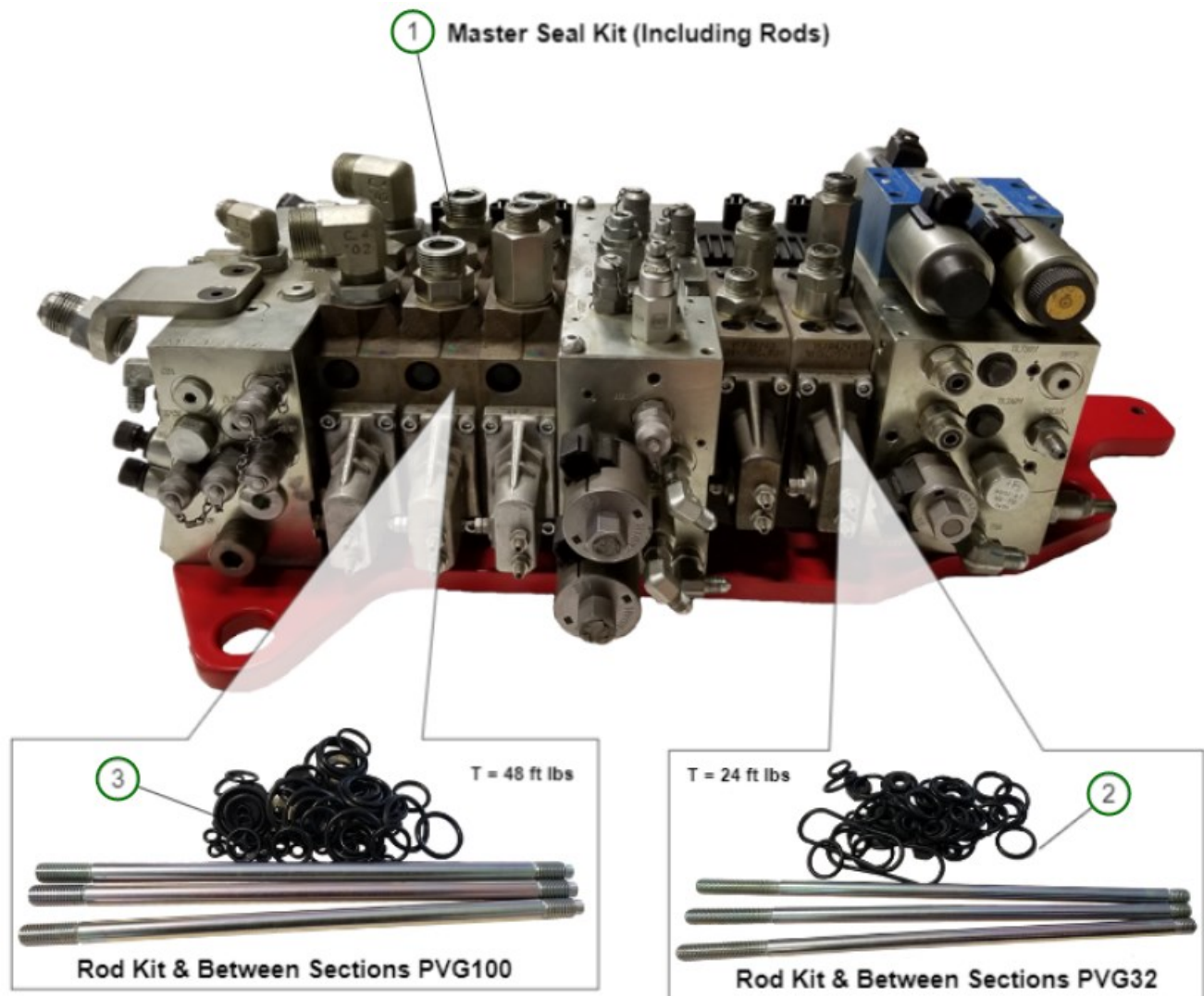
\*All manufacturers names, numbers, marks, trademarks and symbols and descriptions are used for reference purposes only. Use of parts not supplied from the original manufacturer on machines under manufacturer warranty could potentially void your manufacturer warranty. Machined parts are built by Axis, not the original manufacturer.

722CR Valve Bank Mounting

No.	Axis Part No	Qty	Description	Notes
1	MR561051	3	VALVE BANK MOUNT	
2	GFW5625		ANTIVIBRATION LOCKWASHER, 5/8" (M16)	
3	MR561052		WASHER, STEPPED	
4	MR561053		WASHER, SPACER	
5	GFB71640		BOLT, M16 X 40MM HEX HEAD	
6	GFB71660		BOLT, M16 X 60MM	
7	GFW5500		ANTIVIBRATION LOCKWASHER, 1/2" (M12)	
8	GFB71230		BOLT, M12 X 30MM HEX HEAD	

\*All manufacturers names, numbers, marks, trademarks and symbols and descriptions are used for reference purposes only. Use of parts not supplied from the original manufacturer on machines under manufacturer warranty could potentially void your manufacturer warranty. Machined parts are built by Axis, not the original manufacturer.

722CR Valve Master Seal Kit



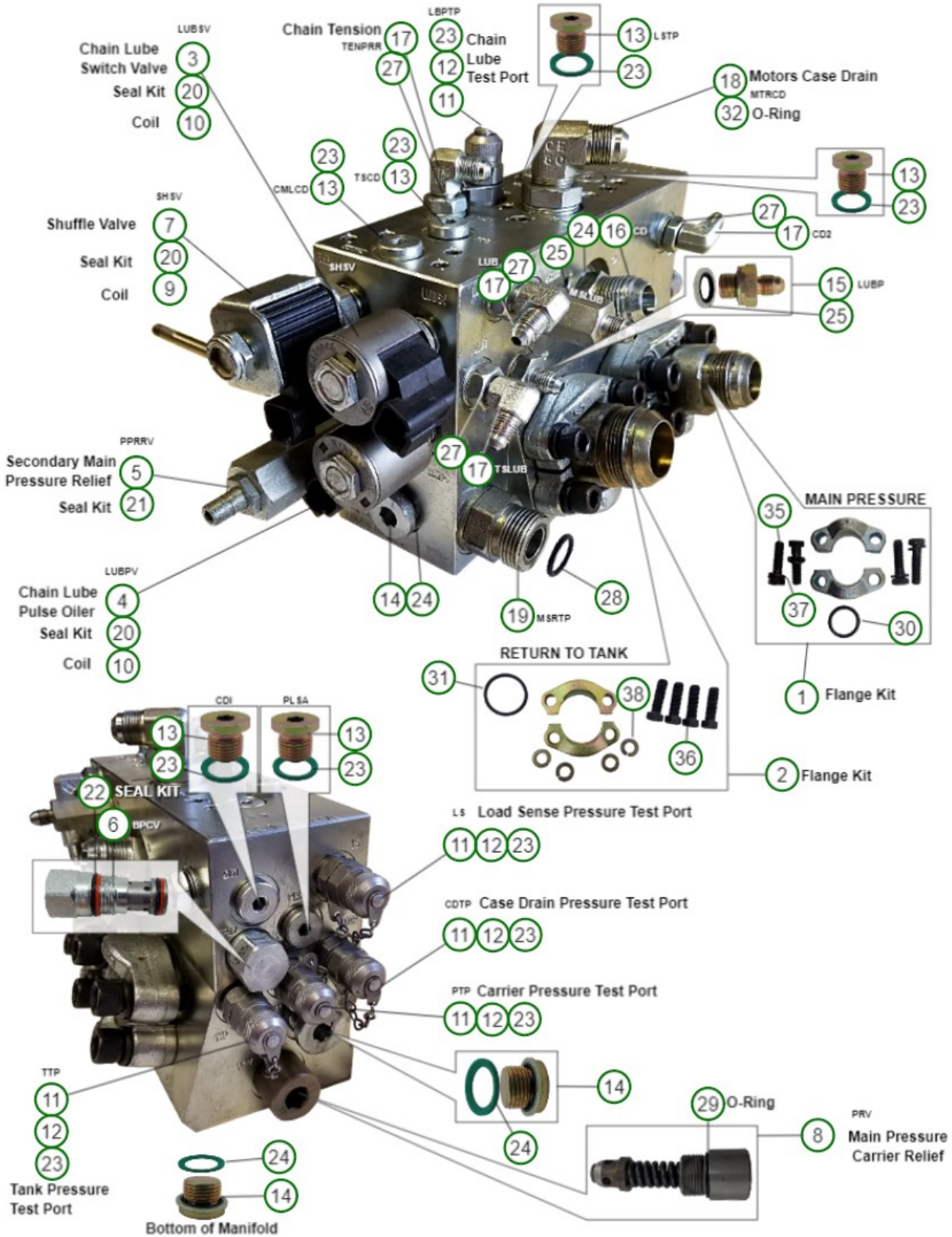
\*All manufacturers names, numbers, marks, trademarks and symbols and descriptions are used for reference purposes only. Use of parts not supplied from the original manufacturer on machines under manufacturer warranty could potentially void your manufacturer warranty. Machined parts are built by Axis, not the original manufacturer.

722CR Valve Master Seal Kit

No.	Axis Part No	Qty	Description	Notes
1	SK227622CM	1	MASTER SEAL KIT	
2	SK228130	1	ROD KIT PVG 32	TORQUE= 24 FT-LBS
3	SK228022	1	ROD KIT PVG100	TORQUE= 48 FT-LBS

\*All manufacturers names, numbers, marks, trademarks and symbols and descriptions are used for reference purposes only. Use of parts not supplied from the original manufacturer on machines under manufacturer warranty could potentially void your manufacturer warranty. Machined parts are built by Axis, not the original manufacturer.

722CR Inlet Manifold



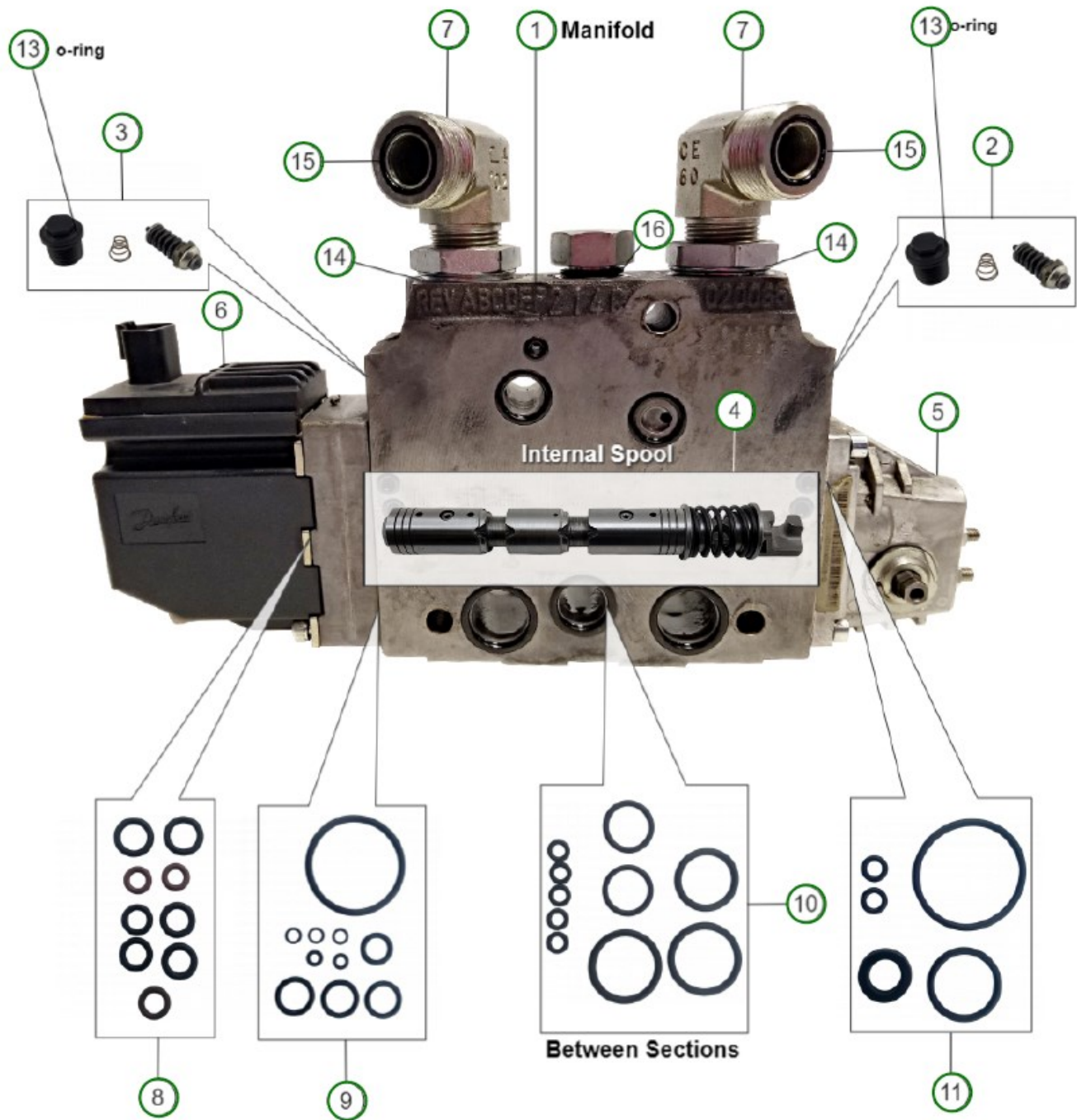
\*All manufacturers names, numbers, marks, trademarks and symbols and descriptions are used for reference purposes only. Use of parts not supplied from the original manufacturer on machines under manufacturer warranty could potentially void your manufacturer warranty. Machined parts are built by Axis, not the original manufacturer.

## 722CR Inlet Manifold

No.	Axis Part No	Qty	Description	Notes
1	HF162016		#16 CODE 62 SPLIT FLANGE KIT	
2	HF162020		#20 CODE 61 FLANGE KIT	
3	HV350830		CARTRIDGE VALVE	USE SEAL KIT SK351715
4	HV350831		CARTRIDGE VALVE	USE SEAL KIT SK351715
5	HV350846		PRESSURE REDUCING VALVE	USE SEAL KIT SK351716
6	HV350800		CHECK VALVE	
7	HV350881		VALVE	USE SEAL KIT SK351715
8	HV350899		RELIEF VALVE 350 BAR	
9	HV350026		COIL	
10	HV356307		COIL, DEUTSCH CONNECTOR	
11	HF14TP		TEST PORT, 1/4" BSP	
12	HF14TPC		TEST PORT CAP	
13	HF41-4		FITTING, ROUND PLUG #4 BSP SEAL	
14	HF41-8		FITTING, ROUND PLUG #8 BSP SEAL	
15	HF2040-4-4		FITTING, #4 JIC MALE X #4 BSP MALE	
16	HF2040-12-12		FITTING, #12 JIC MALE X #12 BSP MALE	
17	HF2949-4-4		FITTING, #4 JIC MALE X #4 BSP MALE 90	USE O-RING R24420C
18	HF2949-8-8		FITTING, #8 JIC MALE X #8 BSP MALE 90	
19	HF4060-12-12		FITTING, #12 BSP MALE X #12 ORFS MALE	
20	SK351715		SEAL KIT	
21	SK351716		SEAL KIT	
22	SK350826		SEAL KIT	
23	ED4		SPECIAL BSP SEAL #4	
24	ED8		SPECIAL BSP SEAL 1/2"	
25	BSP4		BONDED SEAL, #4 (1/4")	
26	BSP8		BONDED SEAL, #8 (1/2")	
27	R24420C		O-RING	
28	R24327C		O-RIN, #12 ORFS	
29	R24329C		O-RING	
30	R24528C		O-RING	
31	R24531C		O-RING	
32	T259479C		O-RING	
35	GFB81030		BOLT, M10 X 30MM SOCKET HEAD	
36	GFB81240		BOLT, M12 X 40MM SOCKET HEAD	
37	GFW5500		ANTIVIBRATION LOCKWASHER, 1/2" (M10)	
38	GFW5375		ANTIVIBRATION LOCKWASHER, 3/8" (M10)	

\*All manufacturers names, numbers, marks, trademarks and symbols and descriptions are used for reference purposes only. Use of parts not supplied from the original manufacturer on machines under manufacturer warranty could potentially void your manufacturer warranty. Machined parts are built by Axis, not the original manufacturer.

722CR Right Motors Manifold



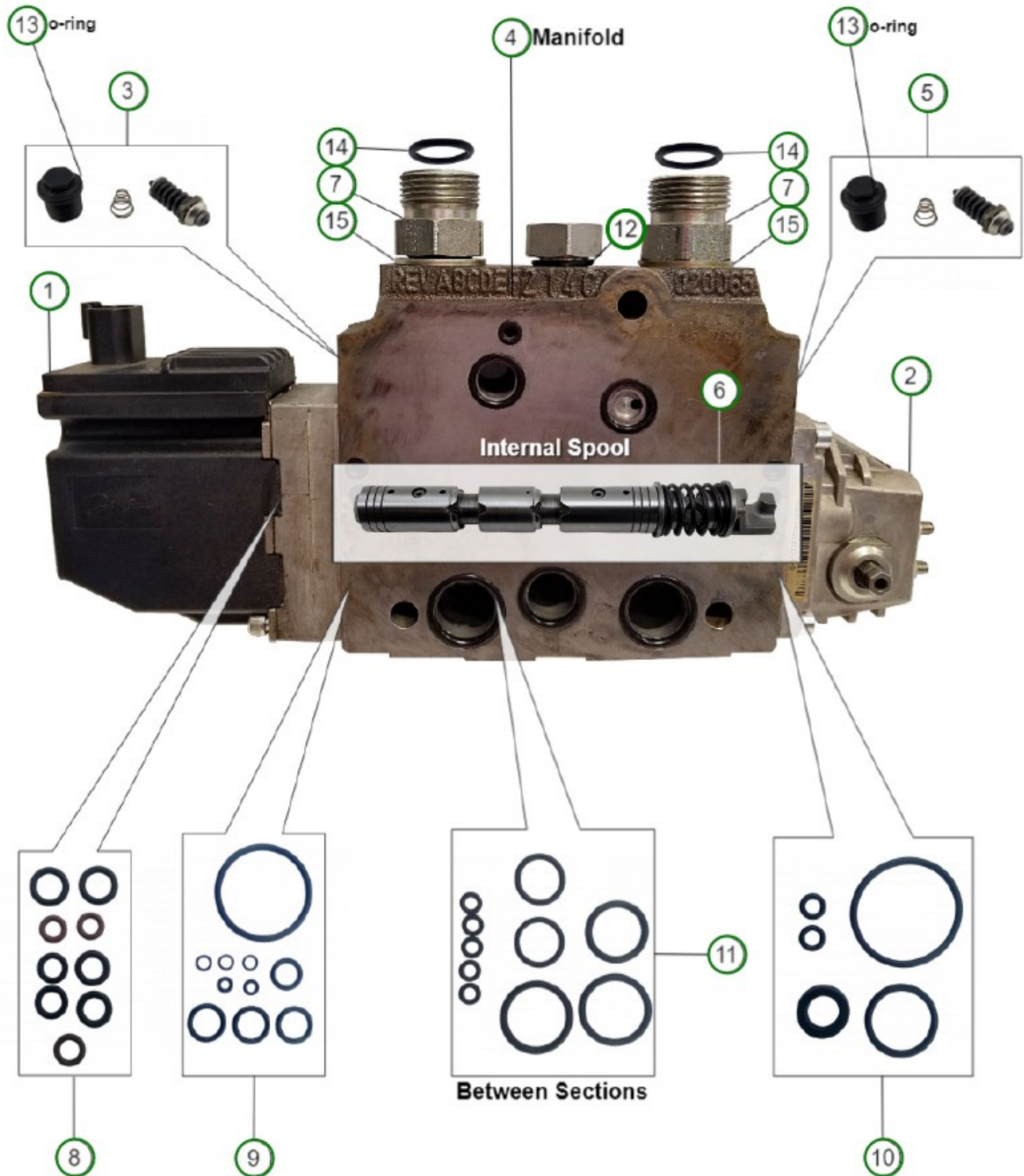
\*All manufacturers names, numbers, marks, trademarks and symbols and descriptions are used for reference purposes only. Use of parts not supplied from the original manufacturer on machines under manufacturer warranty could potentially void your manufacturer warranty. Machined parts are built by Axis, not the original manufacturer.

722CR Right Motors Manifold

No.	Axis Part No	Qty	Description	Notes
1	HV226660	1	PVG 100 MANIFOLD	
2	HV292350		SHOCK VALVE, 350 BAR	
3	HV292280		SHOCK VALVE, 280 BAR	
4	HV297027		SPOOL	
5	HC223173		MANUAL ACTUATOR, PVG32 PVG100 ALUMINUM	
6	HC224394		PROPORTIONAL COIL, PVG 32 WITH DEUTSCH CONNECTORS	
7	HF4969-12-12		FITTING, #12 BSP MALE X #12 ORFS MALE 90	
8	SK224033B		SEAL KIT, ON/OFF & PROPORTIONAL VALVES INTERNAL	
9	SK224033		SEAL KIT, ON/OFF & PROPORTIONAL VALVE	
10	SK228179		SEAL KIT, BETWEEN SECTION PVG100	
11	SK223173		SEAL KIT, MANUAL ACTUATOR	
12	T235395C		O-RING	
13	T235395C		O-RING	
14	T314479C		O-RING	
15	R24327C		O-RING, #12 ORFS	
16	ORB3-910V		O-RING, #10 ORB VITON	

\*All manufacturers names, numbers, marks, trademarks and symbols and descriptions are used for reference purposes only. Use of parts not supplied from the original manufacturer on machines under manufacturer warranty could potentially void your manufacturer warranty. Machined parts are built by Axis, not the original manufacturer.

722CR Left Motors Manifold



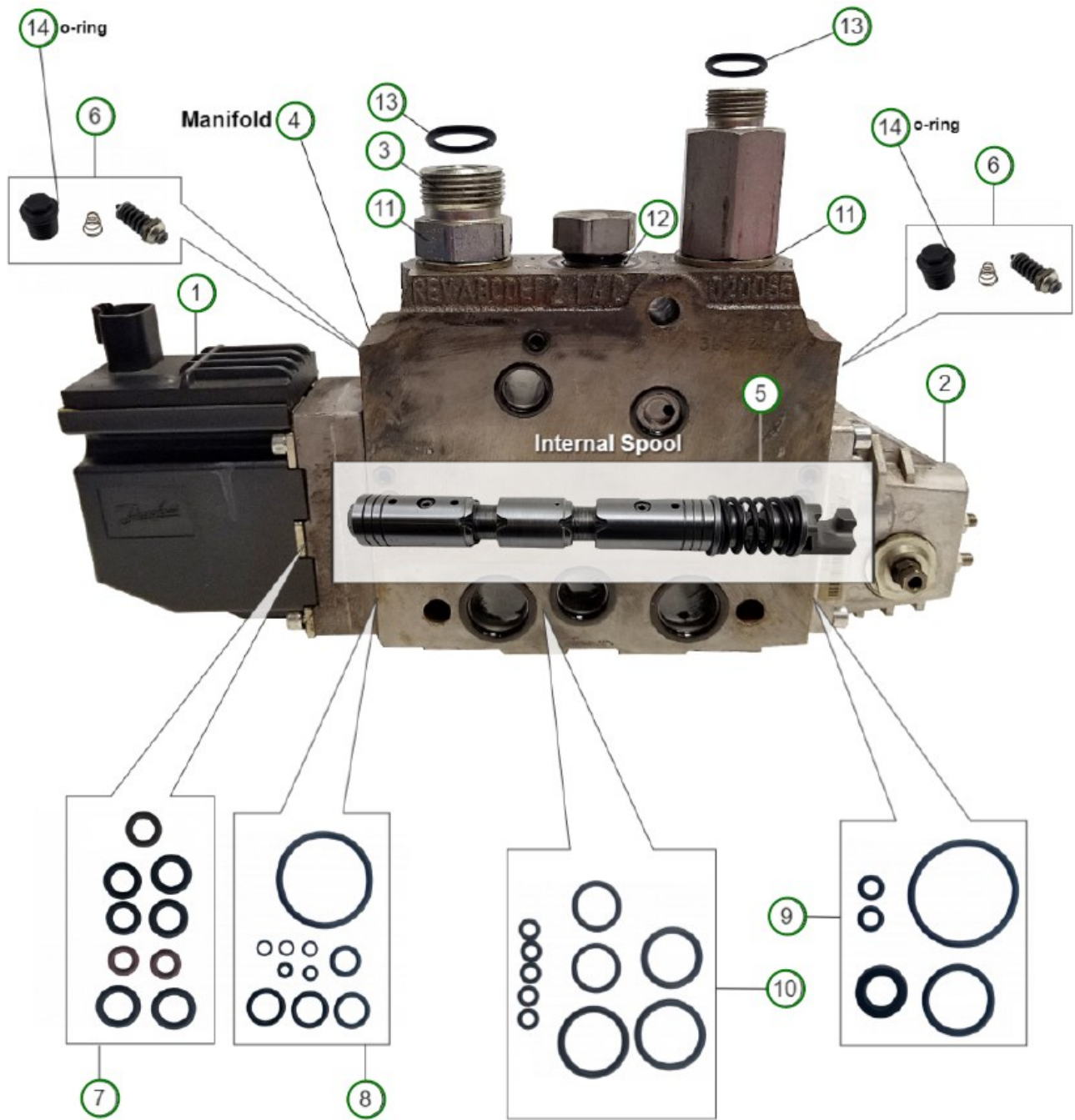
\*All manufacturers names, numbers, marks, trademarks and symbols and descriptions are used for reference purposes only. Use of parts not supplied from the original manufacturer on machines under manufacturer warranty could potentially void your manufacturer warranty. Machined parts are built by Axis, not the original manufacturer.

## 722CR Left Motors Manifold

No.	Axis Part No	Qty	Description	Notes
1	HC224394		PROPORTIONAL COIL, PVG32 WITH DEUTSCH CONNECTORS	
2	HC223173		MANUAL ACTUATOR, PVG32 PVG100 ALUMINUM	
3	HV292280		SHOCK VALVE, 280 BAR	
4	HV226660		PVG100 MANIFOLD	
5	HV292350		SHOCK VALVE, 350 BAR	
6	HV297027		SPOOL	
7	HF4060-12-12		FITTING, #12 BSP MALE X #12 ORFS MALE	
8	SK224033B		SEAL KIT, ON/OFF & PROPORTIONAL VALVES INTERNAL	
9	SK224033		SEAL KIT, ON/OFF & PROPORTIONAL VALVE	
10	SK223173		SEAL KIT, MANUAL ACTUATOR	
11	SK228179		SEAL KIT, BETWEEN SECTION PVG100	
12	ORB3-910V		O-RING, #10 ORB VITON	
13	T235395C		O-RING	
14	R24327C		O-RING, #12 ORFS	
15	BSP12		BONDED SEAL, #12 (3/4")	

\*All manufacturers names, numbers, marks, trademarks and symbols and descriptions are used for reference purposes only. Use of parts not supplied from the original manufacturer on machines under manufacturer warranty could potentially void your

722CR Saw Motors Manifold



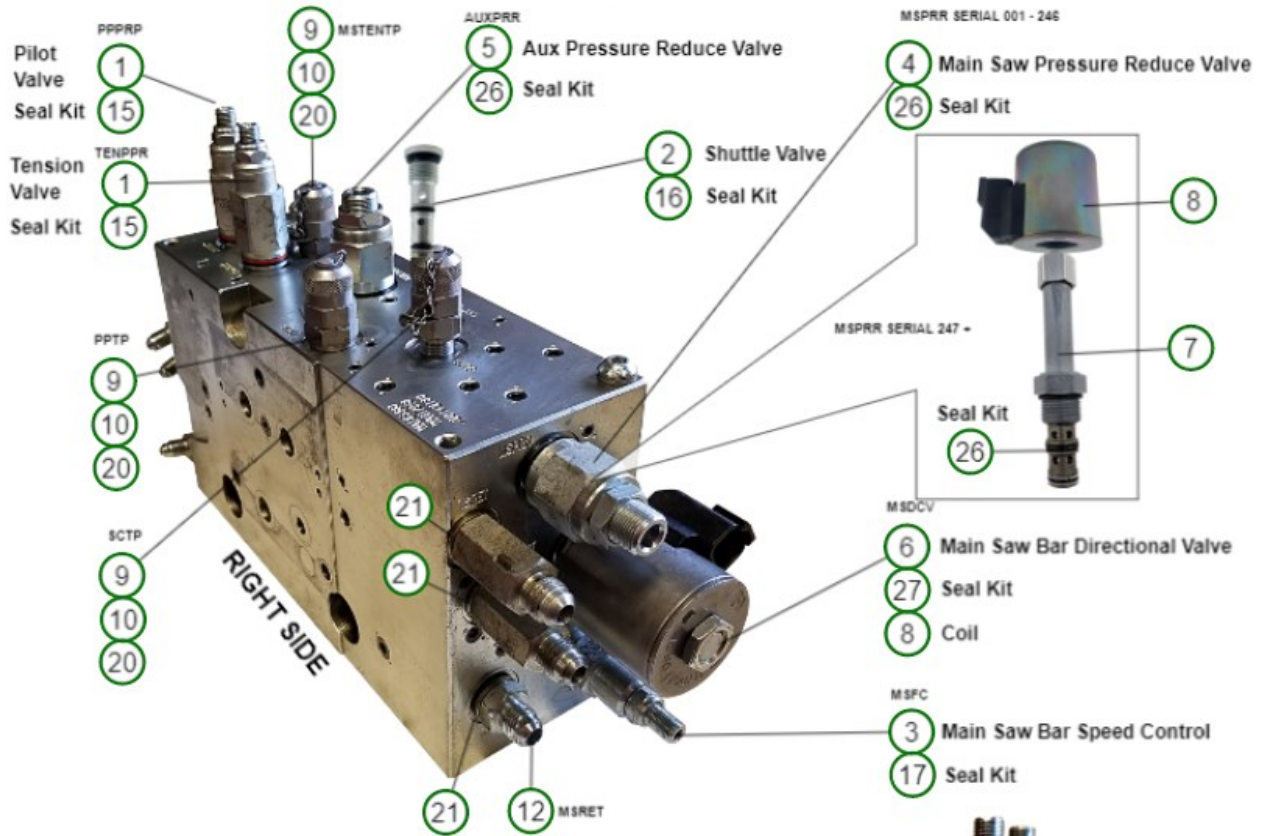
\*All manufacturers names, numbers, marks, trademarks and symbols and descriptions are used for reference purposes only. Use of parts not supplied from the original manufacturer on machines under manufacturer warranty could potentially void your manufacturer warranty. Machined parts are built by Axis, not the original manufacturer.

## 722CR Saw Motors Manifold

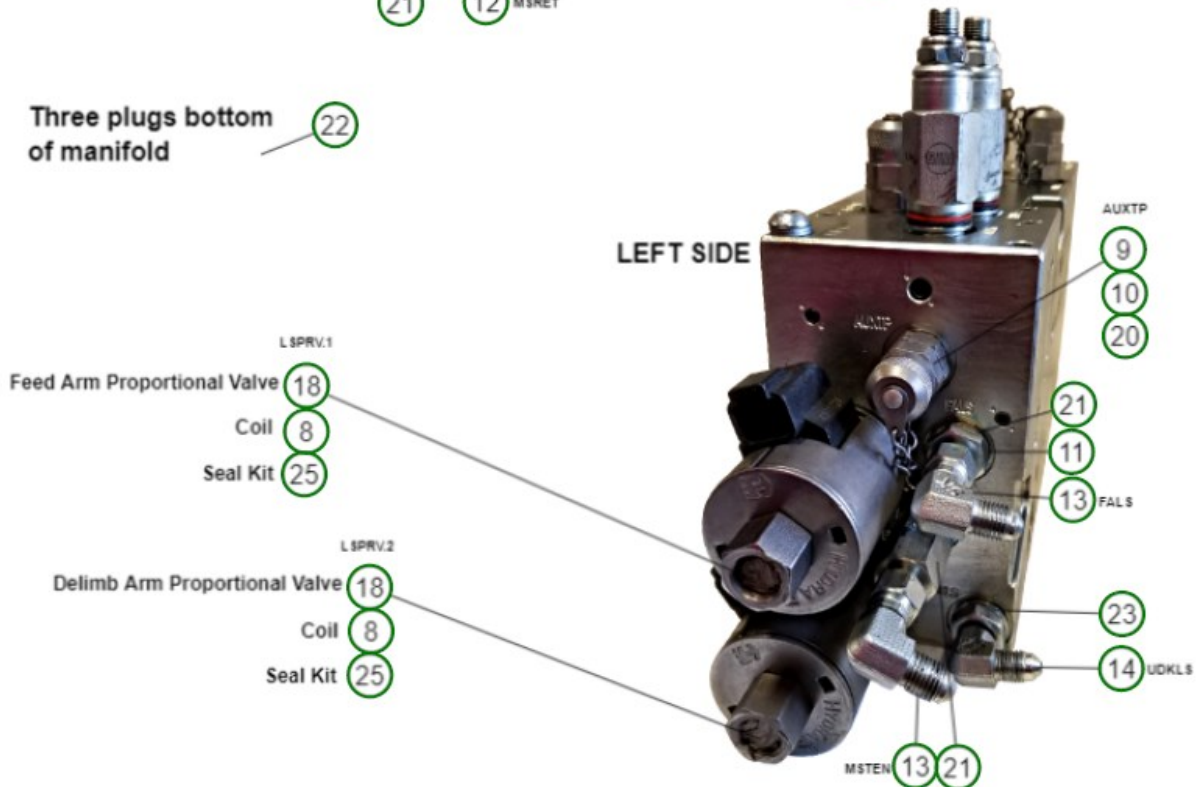
No.	Axis Part No	Qty	Description	Notes
1	HC224392		ON/OFF COIL, PVG32 WITH DEUTSCH CON- NECTOR	
2	HC223173		MANUAL ACTUATOR, PVG32 PVG100 ALUMINUM	
3	HF4060-12-12		FITTING, #12 BSP MALE X #12 ORFS MALE	
4	HV226660		PVG100 MANIFOLD	
5	HV297127		SPOOL	
6	HV292265		SHOCK VALVE, 265 BAR	
7	SK224033B		SEAL KIT, ON/OFF & PROPORTIONAL VALVES INTERNAL	
8	SK224033		SEAL KIT, ON/OFF & PROPORTIONAL VALVE	
9	SK223173		SEAL KIT, MANUAL ACTUATOR	
10	SK228179		SEAL KIT, BETWEEN SECTION PVG100	
11	BSP12		BONDED SEAL, #12 (3/4")	
12	ORB3-910		O-RING, #10 ORB	
13	R24327C		O-RING, #12 ORFS	
14	T235395C		O-RING	

\*All manufacturers names, numbers, marks, trademarks and symbols and descriptions are used for reference purposes only.  
Use of parts not supplied from the original manufacturer on machines under manufacturer warranty could potentially void your  
manufacturer warranty. Machined parts are built by Axis, not the original manufacturer.

722CR Auxiliary Manifold



Three plugs bottom of manifold (22)



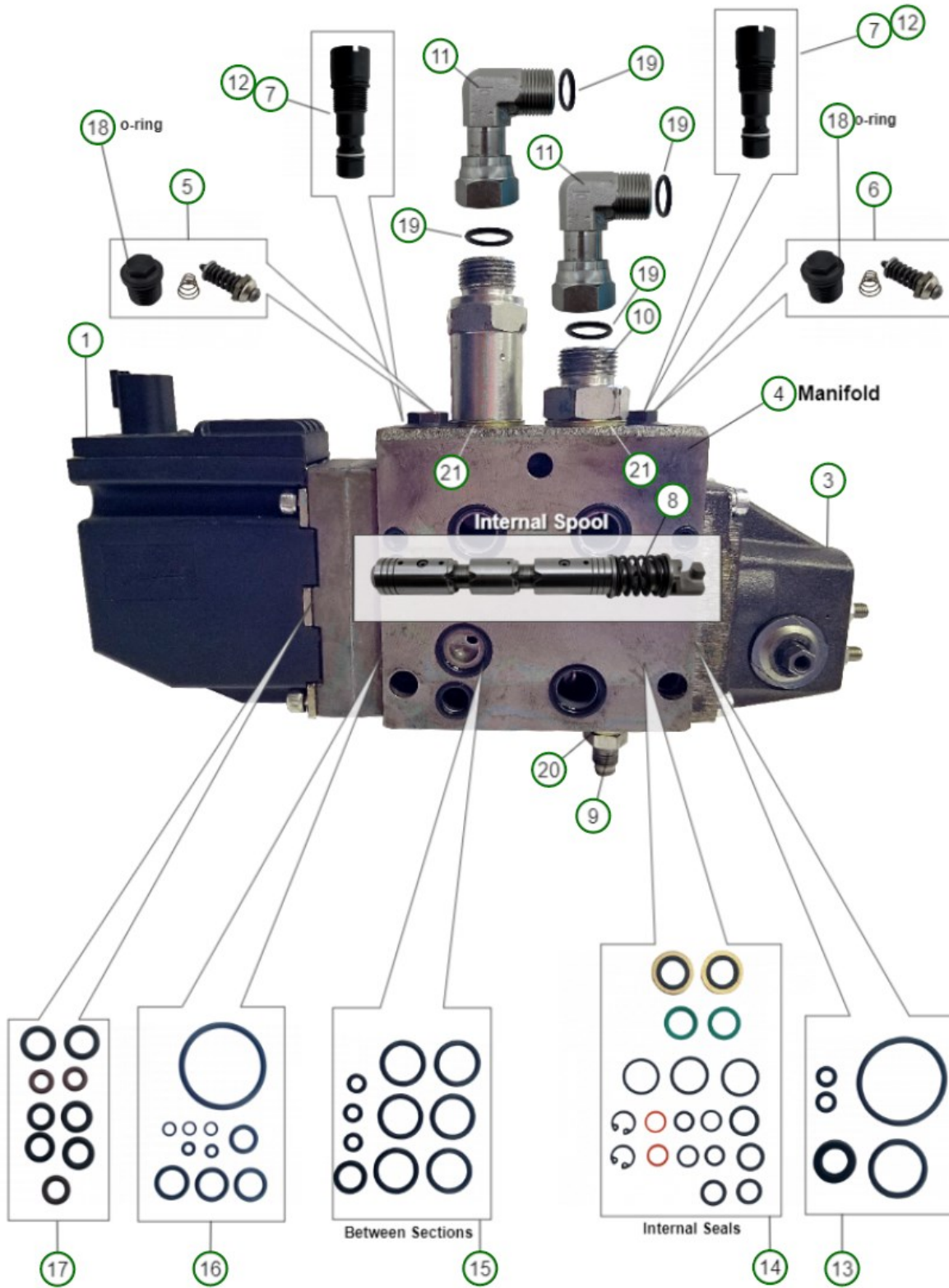
\*All manufacturers names, numbers, marks, trademarks and symbols and descriptions are used for reference purposes only. Use of parts not supplied from the original manufacturer on machines under manufacturer warranty could potentially void your manufacturer warranty. Machined parts are built by Axis, not the original manufacturer.

## 722CR Auxiliary Manifold

No.	Axis Part No	Qty	Description	Notes
1	HV350789		CARTRIDGE VALVE	
2	HV350824		SHUTTLE VALVE	USES SEAL KIT SK350824
3	HV350826		VALVE	
4	HV350841		CARTRIDGE VALVE	USES SEAL KIT SK351716
5	HV350846		PRESSURE REDUCING VALVE	USES SEAL KIT SK351716
6	HV350820		CARTRIDGE VALVE	USES SEAL KIT 351717
7	HV351036		CARTRIDGE VALVE	USES SEAL KIT SK351716
8	HC356355		SAW PROPORTIONAL COIL	
9	HF14TP		TEST PORT, 1/4" BSP	
10	HF14TPC		TEST PORT CAP	
11	HF2040-4-4		FITTING, #4 JIC MALE X #4 BSP MALE	
12	HF2040-6-4		FITTING, #6 JIC MALE X #4 BSP MALE	
13	HF2939-4-4		FITTING, #4 JIC MALE X #4 JIC FEMALE 90	
14	HF2949-6-6		FITTING, #6 JIC MALE X #6 BSP MALE 90	
15	SK350792		SEAL KIT	FITS HV350792
16	SK350824		SEAL KIT	FITS HV350824
17	SK350826		SEAL KIT	FITS HV350826 & HV350797
18	HV350851		PROPORTIONAL VALVE	USES SEAL KIT SK351714
20	ED4		SPECIAL BSP SEAL, #4	
21	BSP4		BONDED SEAL, #4 (1/4")	
22	ED6		SPECIAL BSP SEAL, #6	
23	R24422C		O-RING	
25	SK351714		SEAL KIT	
26	SK351716		SEAL KIT	
27	SK351717		SEAL KIT	

\*All manufacturers names, numbers, marks, trademarks and symbols and descriptions are used for reference purposes only.  
Use of parts not supplied from the original manufacturer on machines under manufacturer warranty could potentially void your  
manufacturer warranty. Machined parts are built by Axis, not the original manufacturer.

722CR Feed Arm Manifold



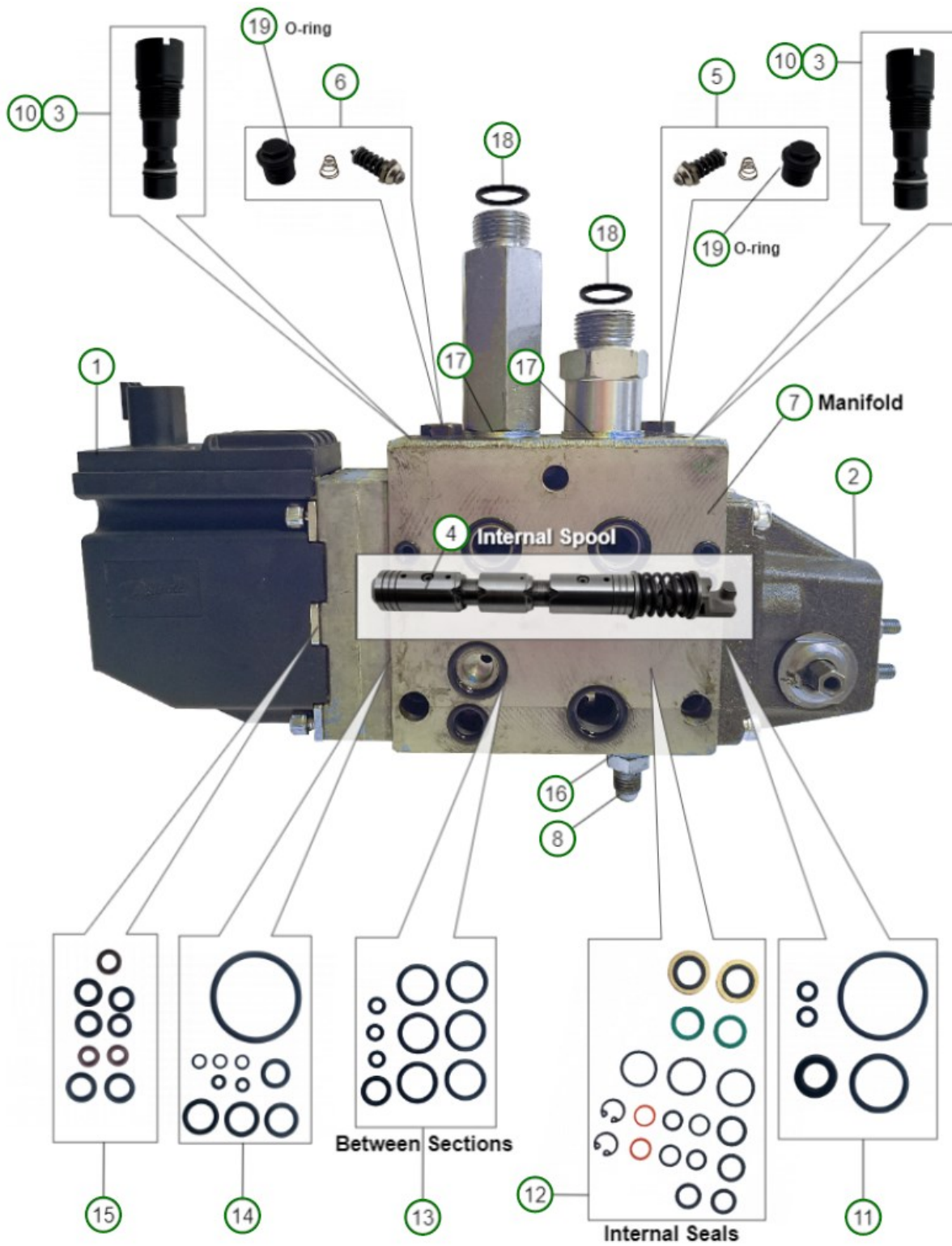
\*All manufacturers names, numbers, marks, trademarks and symbols and descriptions are used for reference purposes only. Use of parts not supplied from the original manufacturer on machines under manufacturer warranty could potentially void your manufacturer warranty. Machined parts are built by Axis, not the original manufacturer.

## 722CR Feed Arm Manifold

No.	Axis Part No	Qty	Description	Notes
1	HC224392		ON/OFF COIL, PVG32	SEE 'TOOLS' PAGE FOR REMOVAL TOOL
3	HV223173		MANUAL ACTUATOR, PVG32 PVG100 ALUMINUM	
4	HV226243		VALVE BLOCK, PVG32	
5	HV292150		SHOCK VALVE, 150 BAR	
6	HV292210		SHOCK VALVE, 210 BAR	
7	HV290905		LOAD SENSE VALVE	
8	HV297026		SPOOL, PVG32 DRIVE MOTOR	
9	HF2040-4-4		FITTING, #4 JIC MALE X #4 BSP MALE	
10	HF4060-8-8		FITTING, #8 BSP MALE X #8 ORFS MALE	
11	HF6979-8-8		FITTING, #8 ORFS MALE X #8 ORFS FEMALE 90	
12	SK700341		SEAL KIT, LOAD SENSE VALVES	
13	SK223173		SEAL KIT, MANUAL ACTUATOR	
14	SK226233		SEAL KIT, VALVE BLOCK PVG32	
15	SK228999		SEAL KIT, BETWEEN 1 SECTION	
16	SK224003		SEAL KIT, ON/OFF & PROPORTIONAL VALVE	
17	SK224033B		SEAL KIT, ON/OFF & PROPORTIONAL VALVES INTERNAL	
18	T235395C		O-RING	
19	R24323C		O-RING, #8 ORFS	
20	BSP4		BONDED SEAL, #4 (1/4")	
21	BSP8		BONDED SEAL, #8 (1/2")	

\*All manufacturers names, numbers, marks, trademarks and symbols and descriptions are used for reference purposes only.  
Use of parts not supplied from the original manufacturer on machines under manufacturer warranty could potentially void your  
manufacturer warranty. Machined parts are built by Axis, not the original manufacturer.

722CR Delimb Manifold



\*All manufacturers names, numbers, marks, trademarks and symbols and descriptions are used for reference purposes only. Use of parts not supplied from the original manufacturer on machines under manufacturer warranty could potentially void your manufacturer warranty. Machined parts are built by Axis, not the original manufacturer.

722CR Delimb Manifold

No.	Axis Part No	Qty	Description	Notes
1	HC224392		ON/OFF COIL, PVG32	SEE 'TOOLS' PAGE FOR REMOVAL TOOL
2	HC223173		MANUAL ACTUATOR, PVG32 PVG100 ALUMINUM	
3	HV290905		LOAD SENSE VALVE	
4	HV297026		SPOOL, PVG32 DRIVE MOTOR	
5	HV292210		SHOCK VALVE, 210 BAR	
6	HV292150		SHOCK VALVE, 150 BAR	
7	HV226243		VALVE BLOCK, PVG32	
8	HF2040-4-4		FITTING, #4 JIC MALE X #4 BSP MALE	
10	SK700341		SEAL KIT, LOAD SENSE VALVES	
11	SK223173		SEAL KIT, MANUAL ACTUATOR	
12	SK226233		SEAL KIT, VALVE BLOCK PVG32	
13	SK228999		SEAL KIT, BETWEEN 1 SECTION	
14	SK224033		SEAL KIT, ON/OFF & PROPORTIONAL VALVE	
15	SK224033B		SEAL KIT, ON/OFF & PROPORTIONAL VALVES INTERNAL	
16	BSP4		BONDED SEAL, #4 (1/4")	
17	BSP8		BONDED SEAL, #8 (1/2")	
18	R24323C		O-RING, #8 ORFS	
19	T235395C		O-RING	

\*All manufacturers names, numbers, marks, trademarks and symbols and descriptions are used for reference purposes only. Use of parts not supplied from the original manufacturer on machines under manufacturer warranty could potentially void your manufacturer warranty. Machined parts are built by Axis, not the original manufacturer.

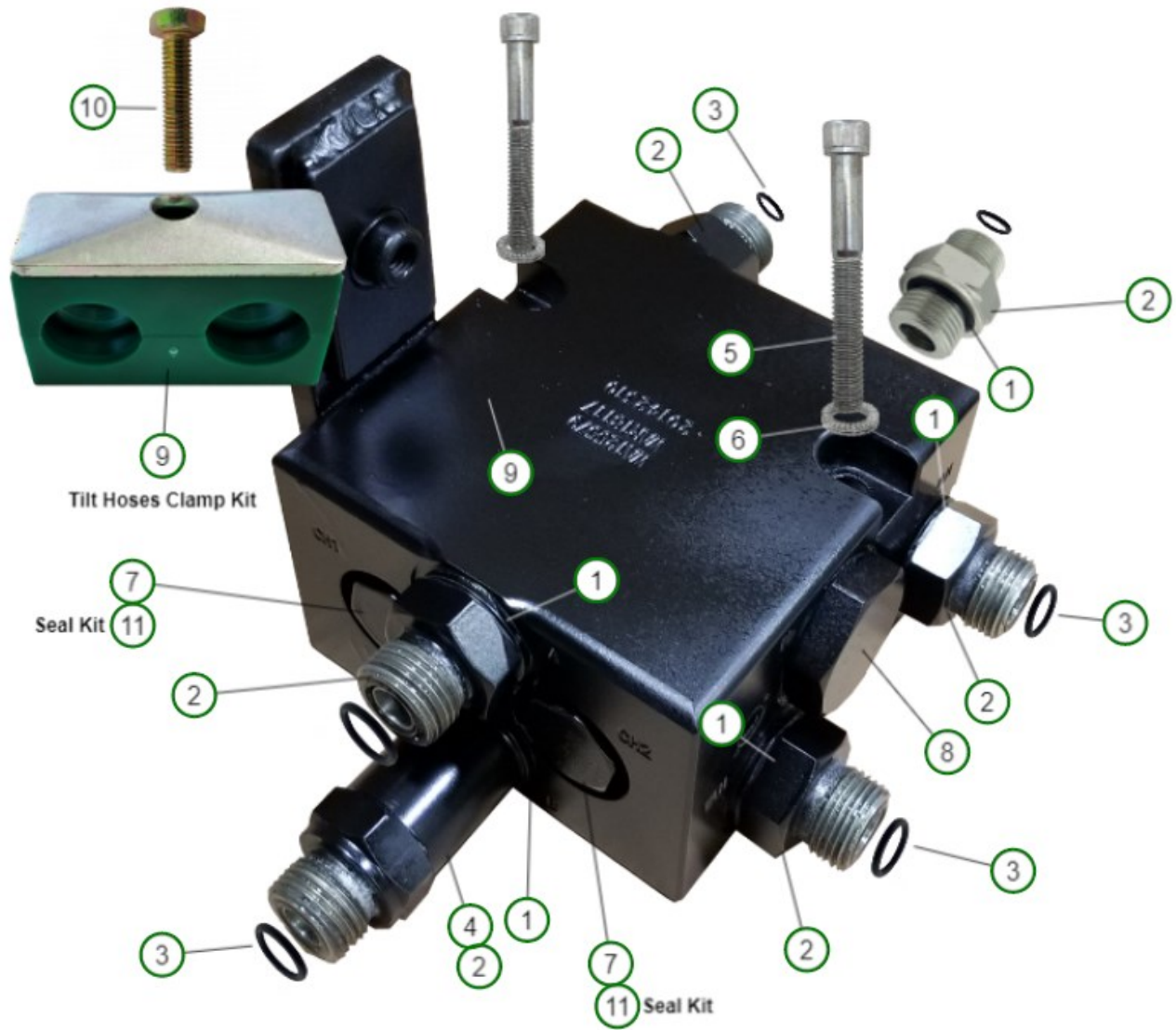


## 722CR End Manifold

No.	Axis Part No	Qty	Description	Notes
1	HV290853		VALVE, THREE WAY TILT UP/DN FUNCTION	
2	HV290854		VALVE, TWO WAY MEASURE ARM FUNCTION	
3	HV290855		COIL, 24VDC DEUTSCH CONNECTOR	
4	HV292210		SHOCK VALVE, 210 BAR	
5	HV292265		SHOCK VALVE, 265 BAR	
6	HV350824		SHUTTLE VALVE	USES SEAL KIT SK350824
7	HV350826		VALVE	
8	HV350829		SOLENOID VALVE, TILT LOCK	
9	HV350841		CARTRIDGE VALVE	USES SEAL KIT SK351716
10	HV350852		PILOTED DIRECTIONAL VALVE	USES SEAL KIT SK351717
11	HV356307		COIL, DEUTSCH CONNECTOR	
12	HF2040-6-4		FITTING, #6 JIC MALE X #4 BSP MALE	
13	HF2040-6-6		FITTING, #6 JIC MALE X #6 BSP MALE	
14	HF2939-4-4		FITTING, #4 JIC MALE X #4 JIC FEMALE 90	
15	HF2949-6-6		FITTING, #6 JIC MALE X #6 BSP MALE 90	USE O-RING R24422C
16	HF4060-6-6		FITTING, #6 BSP MALE X #6 ORFS MALE	
17	HF4060-8-8		FITTING, #8 BSP MALE X #8 ORFS MALE	
18	HF41-2		FITTING, ROUND PLUG #2 BSP SEAL	
19	HF-41-4		FITTING, ROUND PLUG #4 BSP SEAL	
20	HF14TP		TEST PORT, 1/4" BSP	
21	HF14TPC		TEST PORT CAP	
22	GFB80530		BOLT, 5MM X 30MM SOCKET HEAD	
23	SK350824		SEAL KIT	FITS HV350824
24	SK351716		SEAL KIT	
25	SK351714		SEAL KIT	
26	SK351717		SEAL KIT	FITS HV350885
27	SK350826		SEAL KIT	FITS HV350826 & HV350797
28	SK700411		SEAL KIT, VICKERS VALVE BASE	
29	SK700412		SEAL KIT, VICKERS VALVE SINGLE	
30	SK700413		SEAL KIT, VICKERS VALVE DOUBLE	
31	ED2		SPECIAL BSP SEAL, #2	
32	ED4		SPECIAL BSP SEAL, #4	
33	BSP4		BONDED SEAL, #4 (1/4")	
34	BSP6		BONDED SEAL, #6 (3/8")	
35	BSP8		BONDED SEAL, #8 (1/2")	
36	R24321C		O-RING, #6 ORFS	
37	R24422C		O-RING	
38	R24323C		O-RING	
39	T235395C		O-RING	

\*All manufacturers names, numbers, marks, trademarks and symbols and descriptions are used for reference purposes only. Use of parts not supplied from the original manufacturer on machines under manufacturer warranty could potentially void your manufacturer warranty. Machined parts are built by Axis, not the original manufacturer.

722CR Feed Arm Flow Divider Manifold



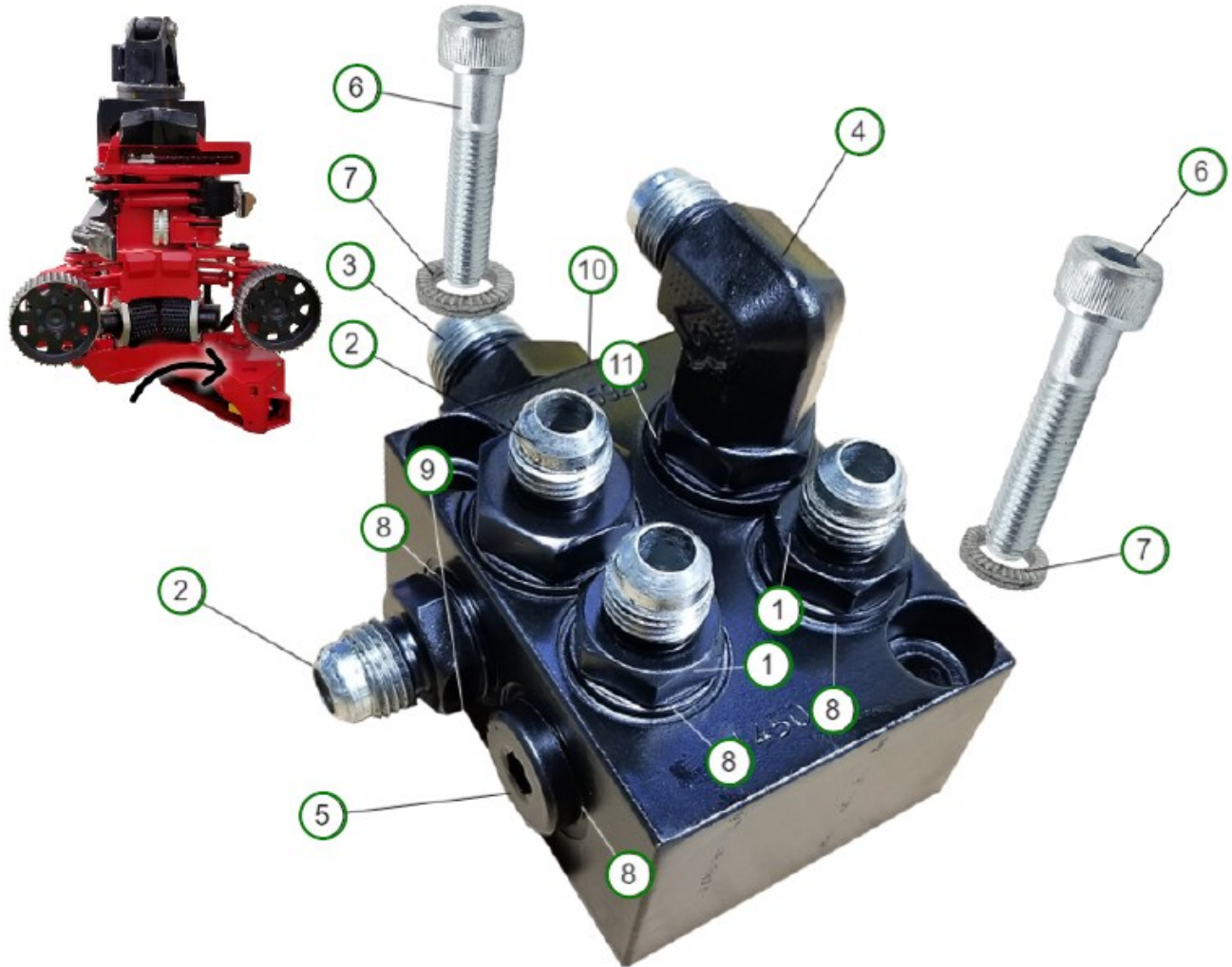
\*All manufacturers names, numbers, marks, trademarks and symbols and descriptions are used for reference purposes only. Use of parts not supplied from the original manufacturer on machines under manufacturer warranty could potentially void your manufacturer warranty. Machined parts are built by Axis, not the original manufacturer.

722CR Feed Arm Flow Divider Manifold

No.	Axis Part No	Qty	Description	Notes
1	BSP8	6	BONDED SEAL, #8 (1/2")	
2	HF4060-8-8	6	FITTING, #8 BSP MALE X #8 ORFS MALE	
3	R24323C	6	O-RING, #8 ORFS	
4	HF4050-8-8	1	FITTING, #8 BS P MALE X #8 BSP FEMALE SOLID	
5	GFB80870	2	BOLT, M6 X 70MM SOCKET HEAD	
6	GFW5312	2	ANTIVIBRATION WASHER, 5/16" (M8)	
7	HV350849	2	CHECK VALVE	
8	HV350850	1	FLOW DIVIDER VALVE	
9	HF002375	1	HOSE CLAMP TWIN 3/8"	
10	GFB70835	1	BOLT, M8 X 35MM HEX HEAD	
11	SK351714	2	SEAL KIT	

\*All manufacturers names, numbers, marks, trademarks and symbols and descriptions are used for reference purposes only. Use of parts not supplied from the original manufacturer on machines under manufacturer warranty could potentially void your manufacturer warranty. Machined parts are built by Axis, not the original manufacturer.

### 722CR Motor Case Drain Manifold



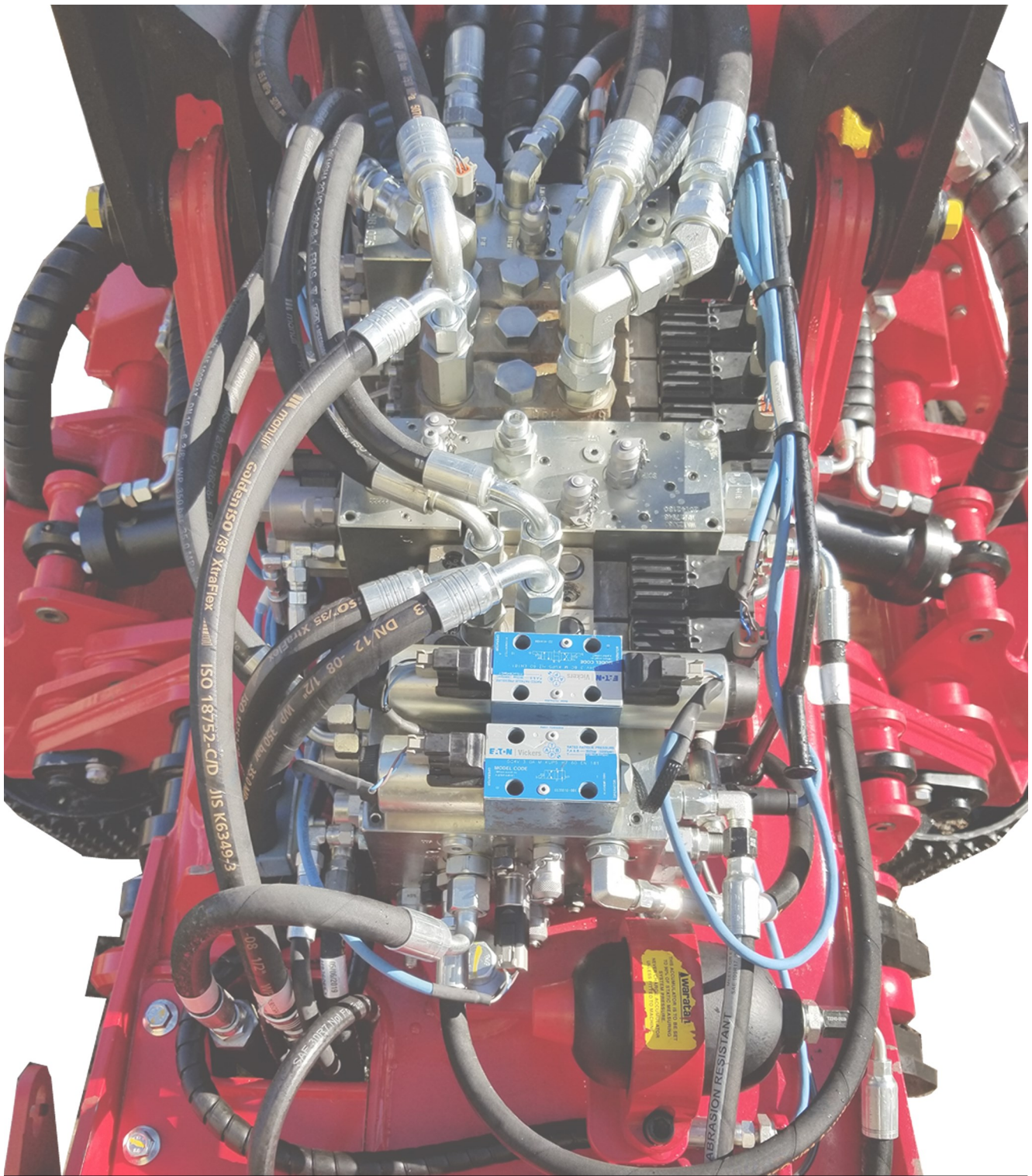
\*All manufacturers names, numbers, marks, trademarks and symbols and descriptions are used for reference purposes only. Use of parts not supplied from the original manufacturer on machines under manufacturer warranty could potentially void your manufacturer warranty. Machined parts are built by Axis, not the original manufacturer.

722CR Motor Case Drain Manifold

No.	Axis Part No	Qty	Description	Notes
1	HF2040-6-4		FITTING, #6 JIC MALE X #4 BSP MALE	
2	HF2040-6-6		FITTING, #6 JIC MALE X #6 BSP MALE	
3	HF2040-8-8		FITTING, #8 JIC MALE X #8 BSP MALE	
4	HF2949-6-6		FITTING, #6 JIC MALE X #6 BSP MALE 90	REPLACEMENT O-RING R24422C
5	HF41-4		FITTING, ROUND PLUG #4 BSP SEAL	
6	GFB80840		BOLT, M8 X 40MM SOCKET HEAD	
7	GFW5312		ANTIVIBRATION LOCKWASHER, 5/16" (M8)	
8	BSP4		BONDED SEAL, #4 (1/4")	
9	BSP6		BONDED SEAL, #6 (3/8")	
10	BSP8		BONDED SEAL, #8 (1/2")	
11	R24422C		O-RING	

\*All manufacturers names, numbers, marks, trademarks and symbols and descriptions are used for reference purposes only. Use of parts not supplied from the original manufacturer on machines under manufacturer warranty could potentially void your manufacturer warranty. Machined parts are built by Axis, not the original manufacturer.





# HOSES & FITTINGS

## Hose Wrap



\*All manufacturers names, numbers, marks, trademarks and symbols and descriptions are used for reference purposes only. Use of parts not supplied from the original manufacturer on machines under manufacturer warranty could potentially void your manufacturer warranty. Machined parts are built by Axis, not the original manufacturer.

Hose Wrap

No.	Axis Part No	Qty	Description	Notes
1	OMNI-6	1	HOSE WRAP FITS #4 (1/4") HOSE	SOLD PER FOOT
2	OMNI-8	1	HOSE WRAP FITS #6 (3/8") HOSE	SOLD PER FOOT
3	OMNI-10	1	HOSE WRAP FITS #8 (1/2") HOSE	SOLD PER FOOT
4	OMNI-12	1	HOSE WRAP FITS #10 (5/8") HOSE	SOLD PER FOOT
5	OMNI-16	1	HOSE WRAP FITS #12 (3/4") HOSE	SOLD PER FOOT
6	OMNI-20	1	HOSE WRAP FITS #16 & #20 (1" TO 1-1/4") HOSE	SOLD PER FOOT
7	OMNI-48	1	BUNDLE WRAP 3" ID	SOLD PER FOOT

\*All manufacturers names, numbers, marks, trademarks and symbols and descriptions are used for reference purposes only. Use of parts not supplied from the original manufacturer on machines under manufacturer warranty could potentially void your manufacturer warranty. Machined parts are built by Axis, not the original manufacturer.

## Continuous Rotation Main Hoses



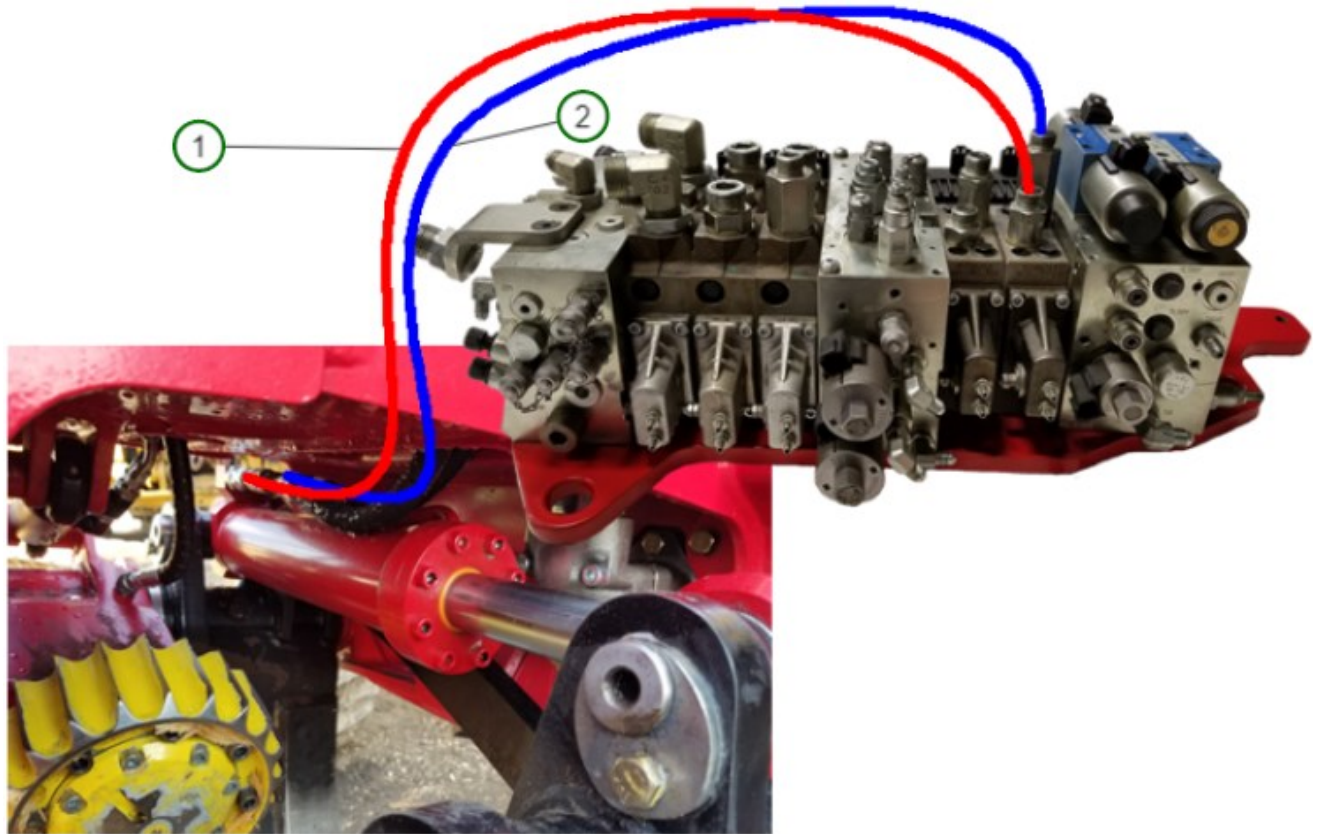
\*All manufacturers names, numbers, marks, trademarks and symbols and descriptions are used for reference purposes only. Use of parts not supplied from the original manufacturer on machines under manufacturer warranty could potentially void your manufacturer warranty. Machined parts are built by Axis, not the original manufacturer.

Continuous Rotation Main Hoses

No.	Axis Part No	Qty	Description	Notes
1	H6430355		ADAPTER SUPPLY HOSE, 360 MANIFOLD TO STICK	
2	H6430356		ADAPTER RETURN HOSE, 360 MANIFOLD TO STICK	
3	H6462000		HYDRAULIC HOSE, MAIN ELECTRICAL	
4	H6462060		HYDRAULIC HOSE, MAIN CASE DRAIN	
5	H6430406		ADAPTER CASE DRAIN HOSE, 360 MANIFOLD TO STICK	
6	H6462190		HYDRAULIC HOSE, 360 MAIN SUPPLY	
7	H6462191		HYDRAULIC HOSE, 360 MAIN RETURN	

\*All manufacturers names, numbers, marks, trademarks and symbols and descriptions are used for reference purposes only. Use of parts not supplied from the original manufacturer on machines under manufacturer warranty could potentially void your manufacturer warranty. Machined parts are built by Axis, not the original manufacturer.

## Delimb Cylinder Hoses



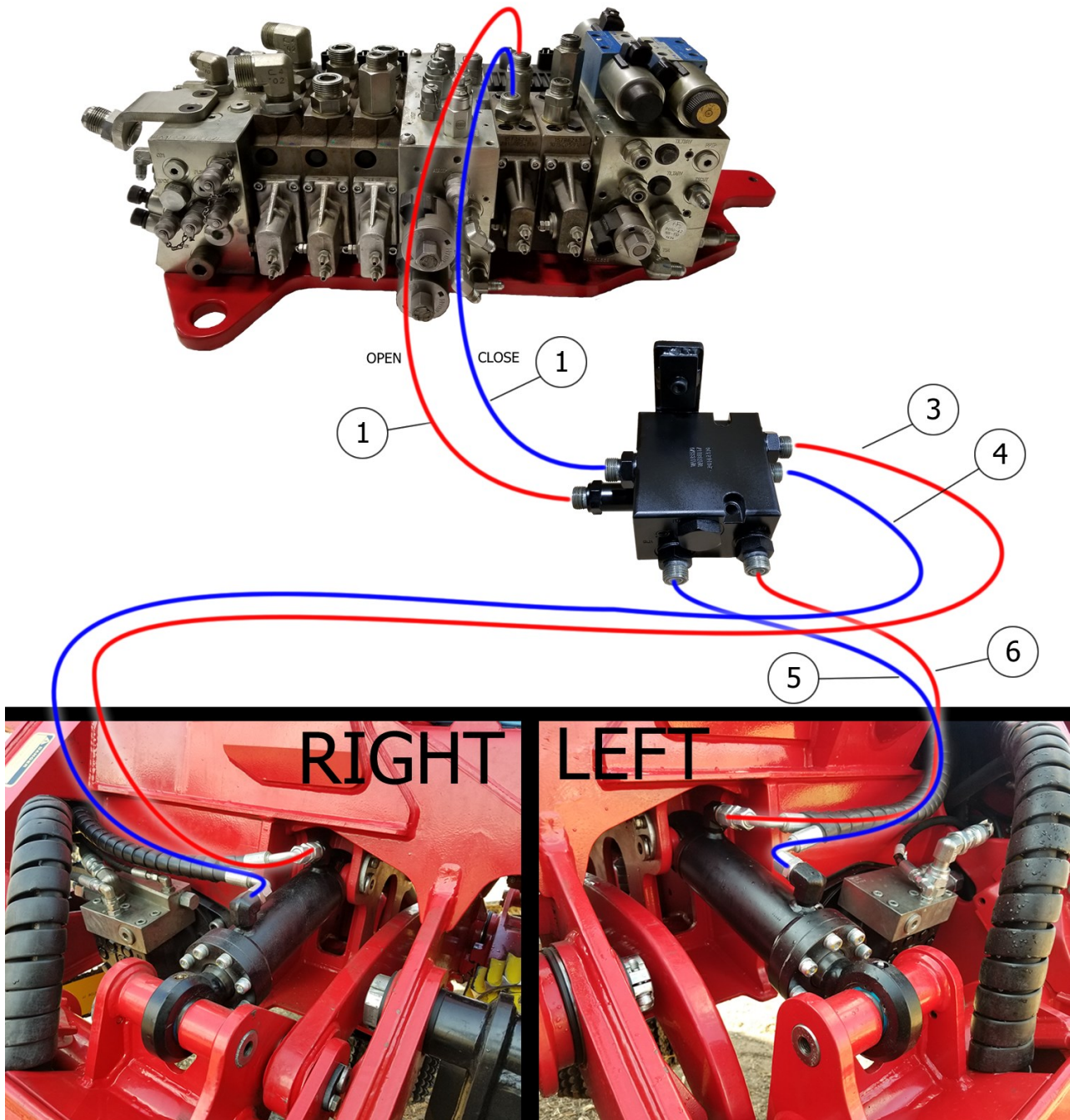
\*All manufacturers names, numbers, marks, trademarks and symbols and descriptions are used for reference purposes only. Use of parts not supplied from the original manufacturer on machines under manufacturer warranty could potentially void your manufacturer warranty. Machined parts are built by Axis, not the original manufacturer.

## Delimb Cylinder Hoses

No.	Axis Part No	Qty	Description	Notes
1	H6760990	1	HYDRAULIC HOSE	DELIMB CYLINDER ROD END TO VALVE COIL SIDE
2	H6760960	1	HYDRAULIC HOSE	DELIMB CYLINDER BARREL END TO VALVE ACTUATOR SIDE

\*All manufacturers names, numbers, marks, trademarks and symbols and descriptions are used for reference purposes only. Use of parts not supplied from the original manufacturer on machines under manufacturer warranty could potentially void your manufacturer warranty. Machined parts are built by Axis, not the original manufacturer.

## Feed Arm Cylinder Hoses



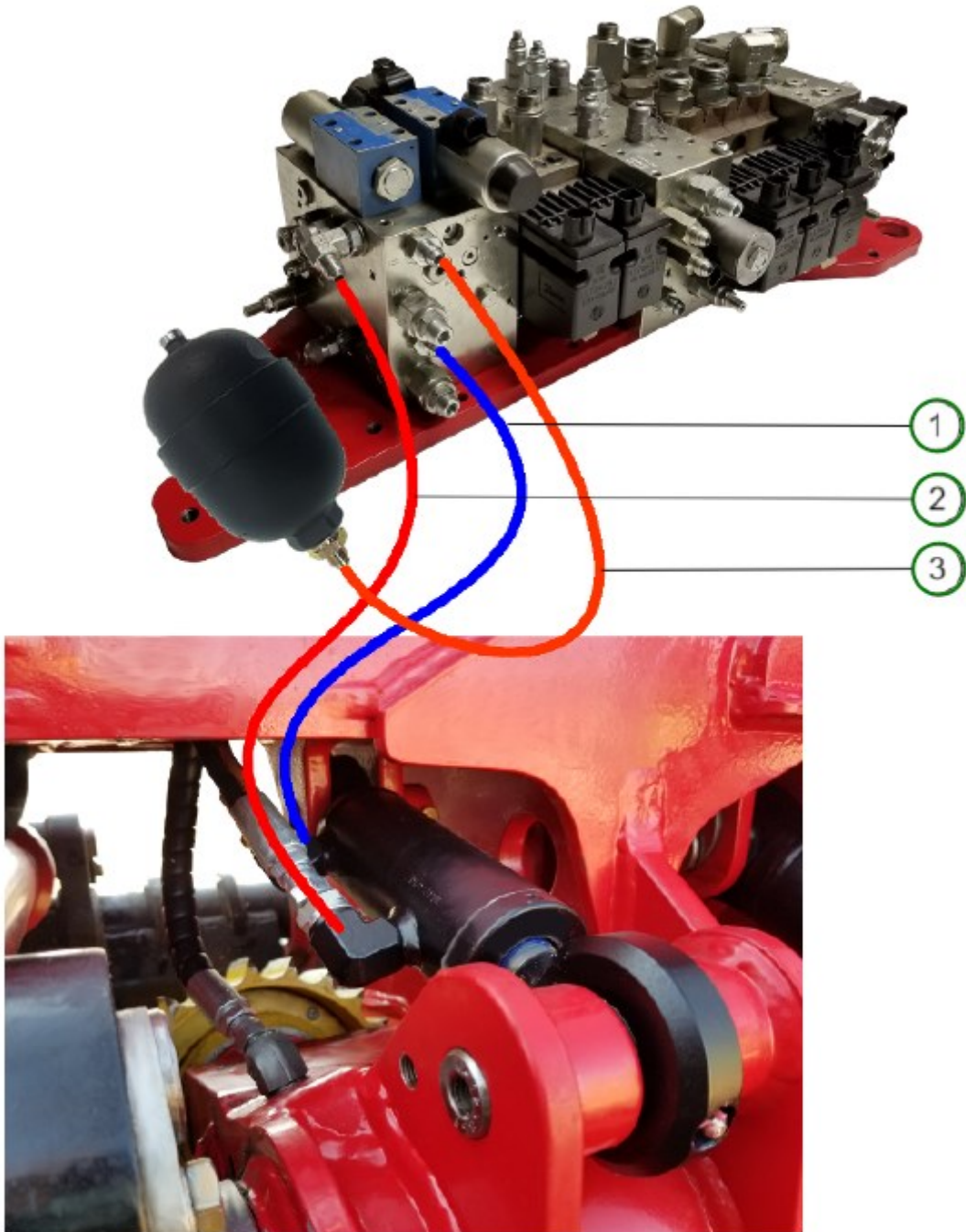
\*All manufacturers names, numbers, marks, trademarks and symbols and descriptions are used for reference purposes only. Use of parts not supplied from the original manufacturer on machines under manufacturer warranty could potentially void your manufacturer warranty. Machined parts are built by Axis, not the original manufacturer.

## Feed Arm Cylinder Hoses

No.	Axis Part No	Qty	Description	Notes
1	H7260600	1	HYDRAULIC HOSE	A PORT TO FLOW DIVIDER
2	H7260620	1	HYDRAULIC HOSE	B PORT TO FLOW DIVIDER
3	H7261070	1	HYDRAULIC HOSE	FLOW DIVIDER TO RIGHT CYLINDER BARREL END
4	H7261075	1	HYDRAULIC HOSE	FLOW DIVIDER TO RIGHT CYLINDER ROD END
5	H7261100	1	HYDRAULIC HOSE	FLOW DIVIDER TO LEFT CYLINDER ROD END
6	H7261010	1	HYDRAULIC HOSE	FLOW DIVIDER TO LEFT CYLINDER BARREL END

\*All manufacturers names, numbers, marks, trademarks and symbols and descriptions are used for reference purposes only. Use of parts not supplied from the original manufacturer on machines under manufacturer warranty could potentially void your manufacturer warranty. Machined parts are built by Axis, not the original manufacturer.

## Measure Cylinder Hoses



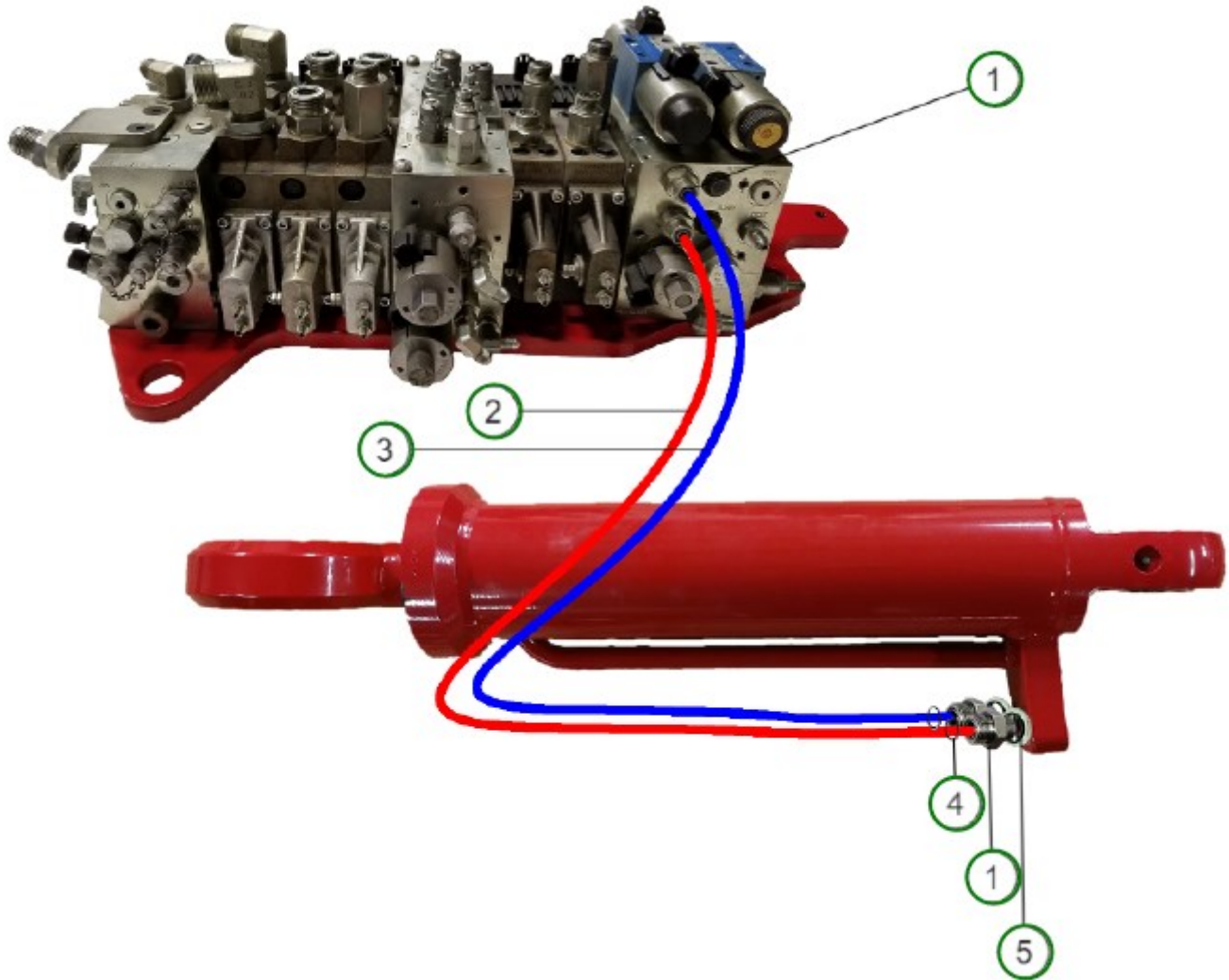
\*All manufacturers names, numbers, marks, trademarks and symbols and descriptions are used for reference purposes only. Use of parts not supplied from the original manufacturer on machines under manufacturer warranty could potentially void your manufacturer warranty. Machined parts are built by Axis, not the original manufacturer.

Measure Cylinder Hoses

No.	Axis Part No	Qty	Description	Notes
1	H7660380	1	HYDRAULIC HOSE	MEASURING CYLINDER BARREL END TO LOWER PORT NEAR ACCUM.
2	H7660610	1	HYDRAULIC HOSE	MEASURING CYLINDER ROD END TO UPPER PORT NEAR VICKERS VALVE
3	H7660420	1	HYDRAULIC HOSE	END BLOCK TO ACCUMULATOR

\*All manufacturers names, numbers, marks, trademarks and symbols and descriptions are used for reference purposes only. Use of parts not supplied from the original manufacturer on machines under manufacturer warranty could potentially void your manufacturer warranty. Machined parts are built by Axis, not the original manufacturer.

## Tilt Cylinder Hoses



\*All manufacturers names, numbers, marks, trademarks and symbols and descriptions are used for reference purposes only. Use of parts not supplied from the original manufacturer on machines under manufacturer warranty could potentially void your manufacturer warranty. Machined parts are built by Axis, not the original manufacturer.

Tilt Cylinder Hoses

No.	Axis Part No	Qty	Description	Notes
1	HF4060-6-6	2	FITTING, #6 BSP MALE X #6 ORFS MALE	TILT CYLINDER LOWER BLOCK PORT TO BARREL END PORT TILT CYLINDER UPPER BLOCK PORT TO ROD END PORT
2	H6361225	1	HYDRAULIC HOSE	
3	H6361226	1	HYDRAULIC HOSE	
4	R24321C	2	O-RING, #6 ORFS	
5	BSP6	2	BONDED SEAL, #6 (3/8")	

\*All manufacturers names, numbers, marks, trademarks and symbols and descriptions are used for reference purposes only. Use of parts not supplied from the original manufacturer on machines under manufacturer warranty could potentially void your manufacturer warranty. Machined parts are built by Axis, not the original manufacturer.

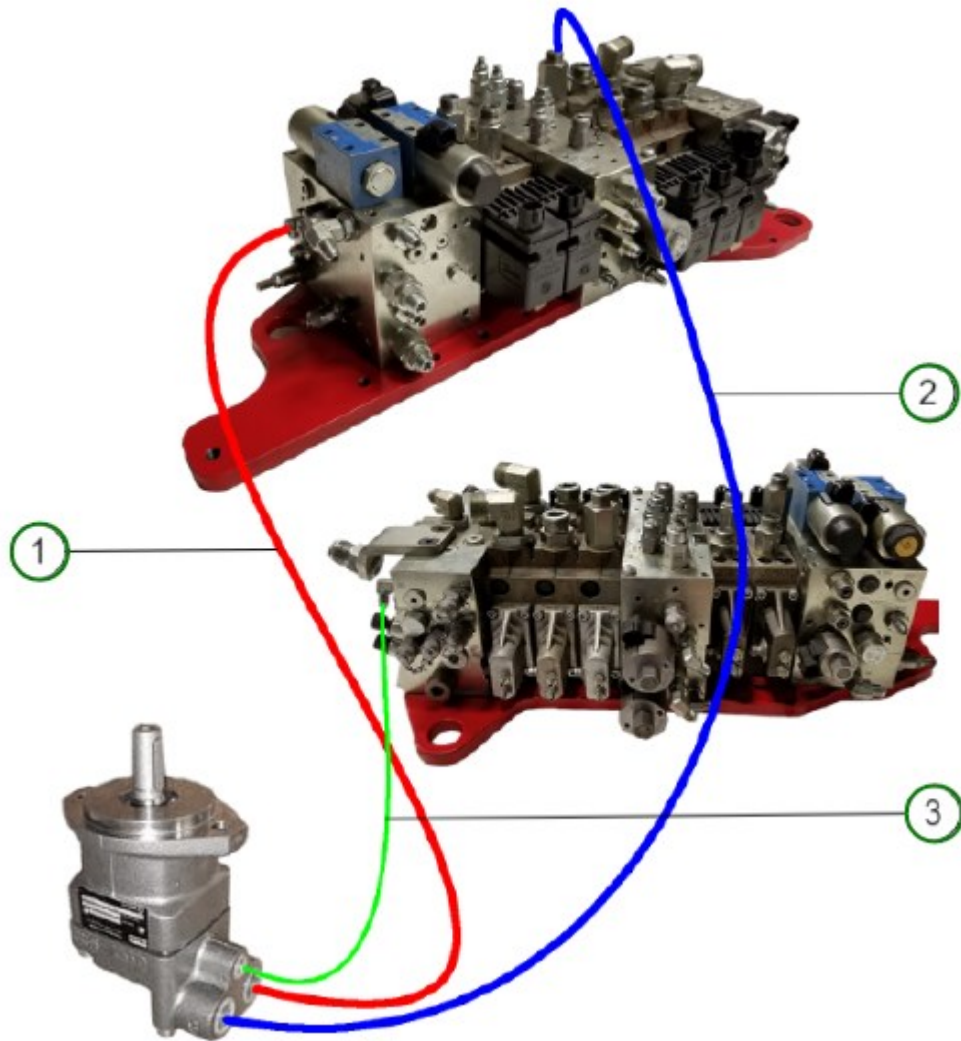
\*All manufacturers names, numbers, marks, trademarks and symbols and descriptions are used for reference purposes only. Use of parts not supplied from the original manufacturer on machines under manufacturer warranty could potentially void your manufacturer warranty. Machined parts are built by Axis, not the original manufacturer.

Main Saw Hoses

No.	Axis Part No	Qty	Description	Notes
1				
2				
3				
4				
5				
6				
7				
8				
9				

\*All manufacturers names, numbers, marks, trademarks and symbols and descriptions are used for reference purposes only. Use of parts not supplied from the original manufacturer on machines under manufacturer warranty could potentially void your manufacturer warranty. Machined parts are built by Axis, not the original manufacturer.

## Top Saw Motor



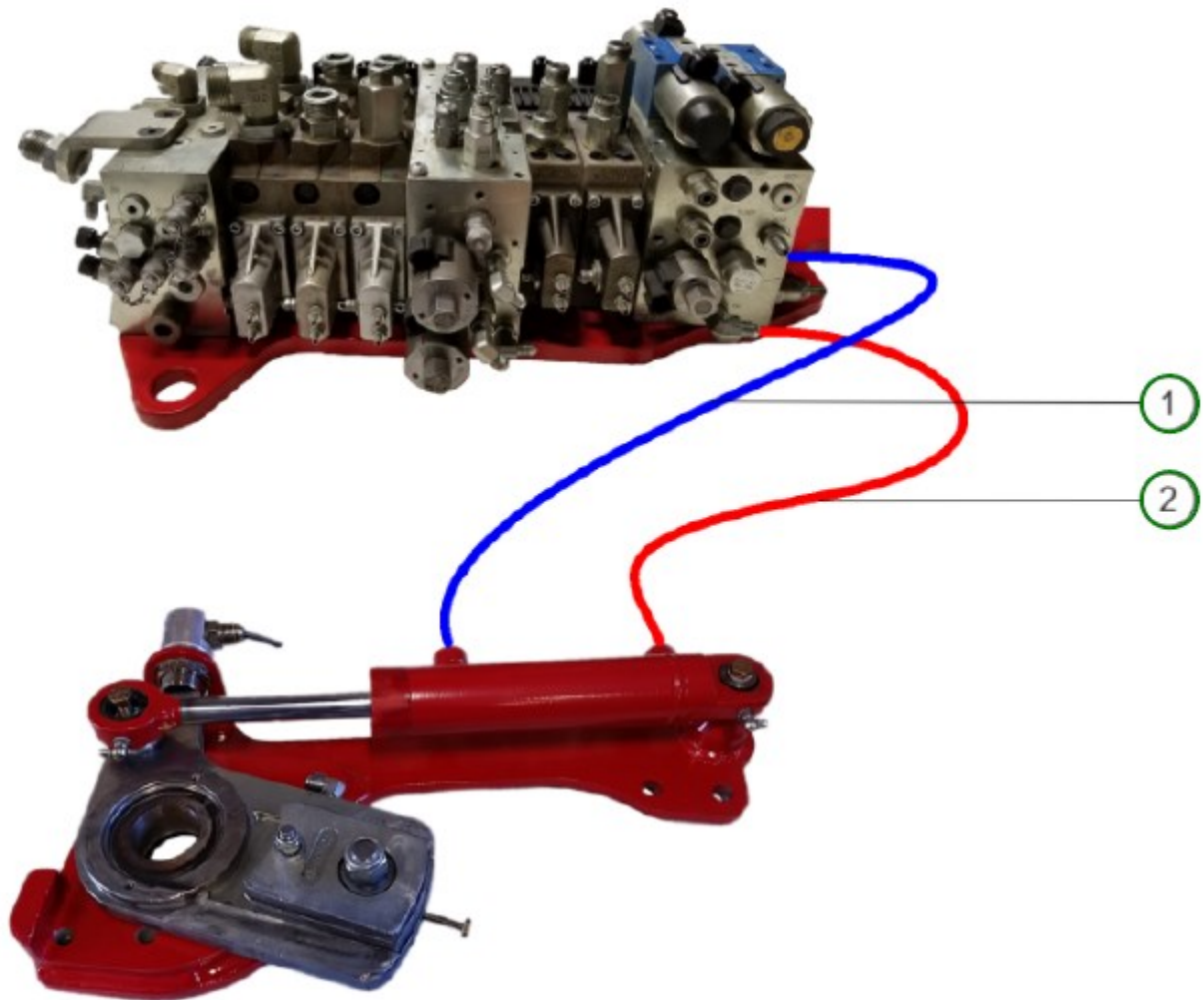
\*All manufacturers names, numbers, marks, trademarks and symbols and descriptions are used for reference purposes only. Use of parts not supplied from the original manufacturer on machines under manufacturer warranty could potentially void your manufacturer warranty. Machined parts are built by Axis, not the original manufacturer.

Top Saw Motor

No.	Axis Part No	Qty	Description	Notes
1	H9360365	1	HYDRAULIC HOSE	RETURN
2	H9360610	1	HYDRAULIC HOSE	SUPPLY
3	H9361140	1	HYDRAULIC HOSE	CASE DRAIN

\*All manufacturers names, numbers, marks, trademarks and symbols and descriptions are used for reference purposes only. Use of parts not supplied from the original manufacturer on machines under manufacturer warranty could potentially void your manufacturer warranty. Machined parts are built by Axis, not the original manufacturer.

## Top Saw Cylinder



\*All manufacturers names, numbers, marks, trademarks and symbols and descriptions are used for reference purposes only. Use of parts not supplied from the original manufacturer on machines under manufacturer warranty could potentially void your manufacturer warranty. Machined parts are built by Axis, not the original manufacturer.

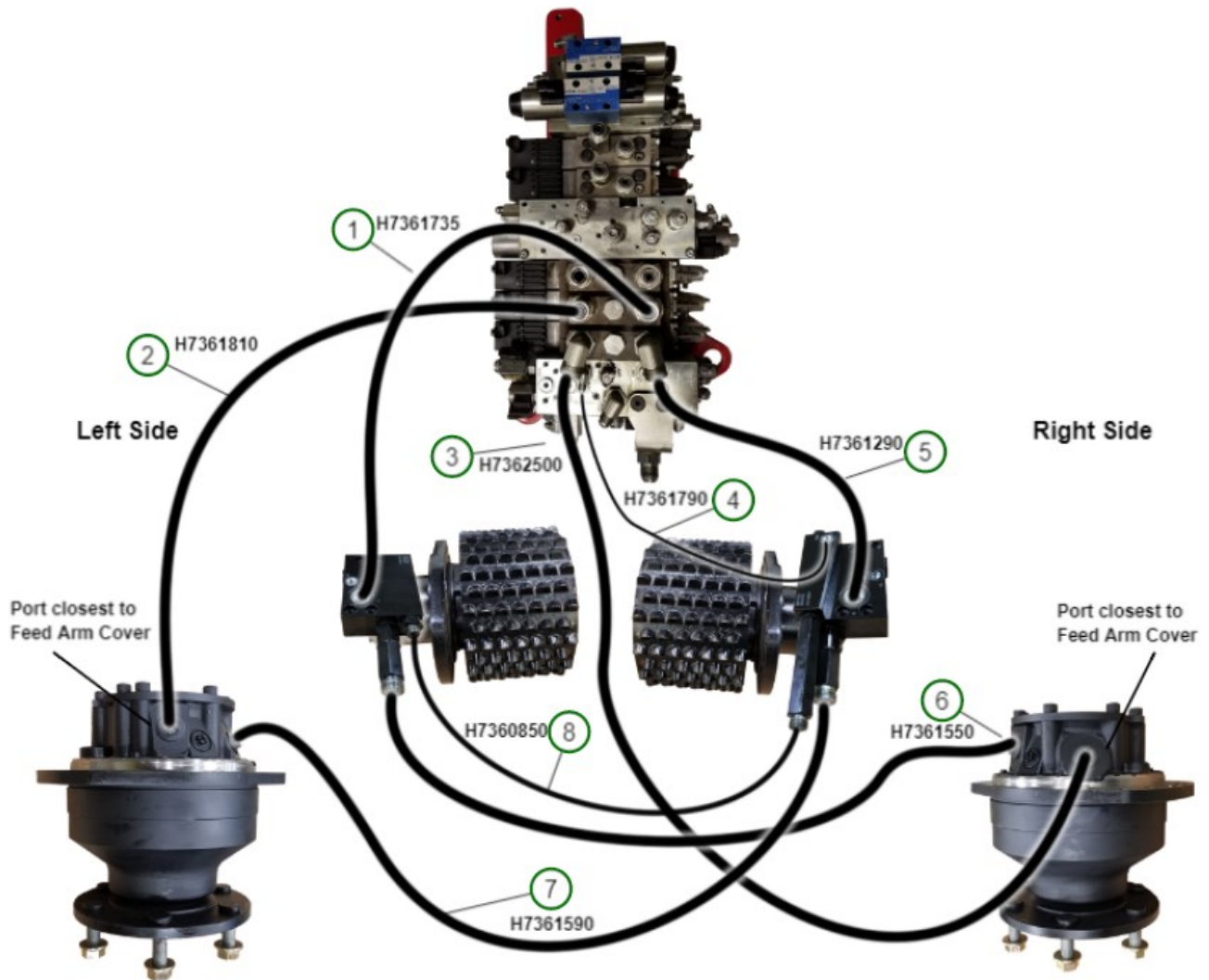
# Top Saw Cylinder



No.	Axis Part No	Qty	Description	Notes
1	H9360600	1	HYDRAULIC HOSE	TOP SAW CYLINDER REOD END TO UPPER PORT ON MANIFOLD BLOCK
2	H9360690	1	HYDRAULIC HOSE	TOP SAW CYLINDER BARREL END TO LOWER PORT ON MANIFOLD BLOCK

\*All manufacturers names, numbers, marks, trademarks and symbols and descriptions are used for reference purposes only. Use of parts not supplied from the original manufacturer on machines under manufacturer warranty could potentially void your manufacturer warranty. Machined parts are built by Axis, not the original manufacturer.

## Feed Motor Hoses



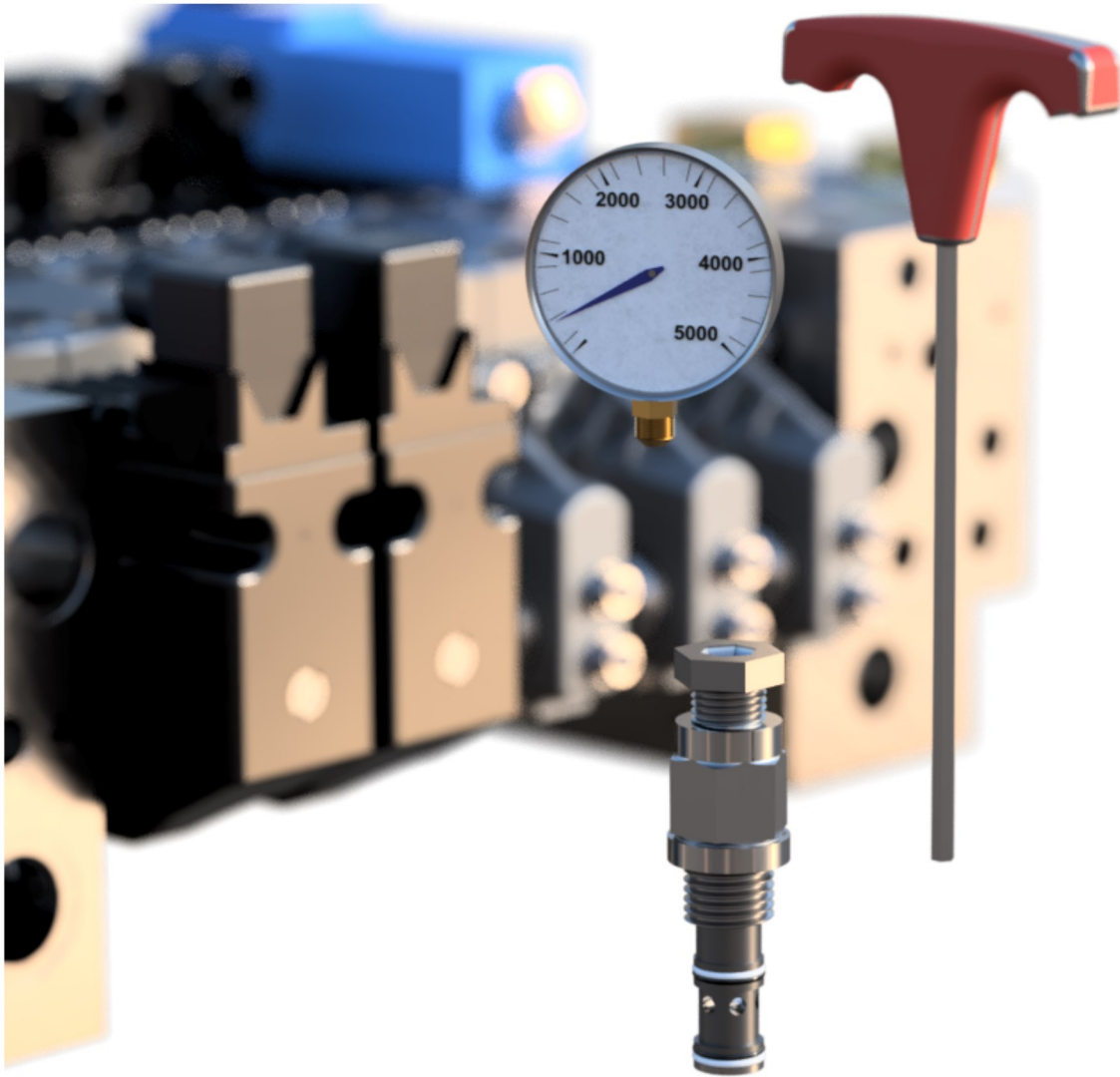
\*All manufacturers names, numbers, marks, trademarks and symbols and descriptions are used for reference purposes only. Use of parts not supplied from the original manufacturer on machines under manufacturer warranty could potentially void your manufacturer warranty. Machined parts are built by Axis, not the original manufacturer.

Feed Motor Hoses

No.	Axis Part No	Qty	Description	Notes
1	H7361735	1	HYDRAULIC HOSE	LH FEED VALVE PORT A TO LH CENTER MOTOR
2	H7361810	1	HYDRAULIC HOSE	LH FEED VALVE PORT B TO LH FEED MOTOR
3	H7362500	1	HYDRAULIC HOSE	RH FEED VALVE PORT B TO RH FEED MOTOR
4	H7361790	1	HYDRAULIC HOSE	INLET VALVE TO RH CENTER MOTOR MANIFOLD-PILOT SHUFFLE
5	H7361290	1	HYDRAULIC HOSE	RH FEED VALVE PORT A TO RH CENTER MOTOR
6	H7361550	1	HYDRAULIC HOSE	RH FEED MOTOR TO LH CENTER MOTOR
7	H7361590	1	HYDRAULIC HOSE	LH FEED MOTOR TO RH CENTER MOTOR
8	H7360850	1	HYDRAULIC HOSE	LH CENTER MOTOR CASE DRAIN

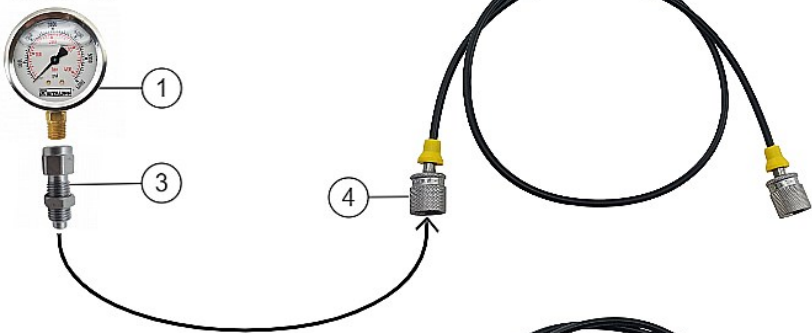
\*All manufacturers names, numbers, marks, trademarks and symbols and descriptions are used for reference purposes only. Use of parts not supplied from the original manufacturer on machines under manufacturer warranty could potentially void your manufacturer warranty. Machined parts are built by Axis, not the original manufacturer.



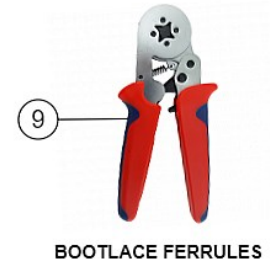
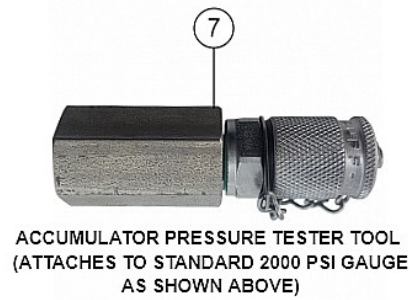
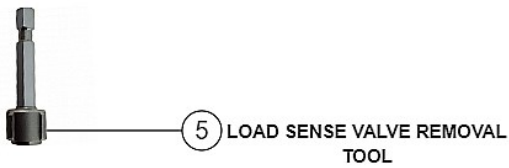
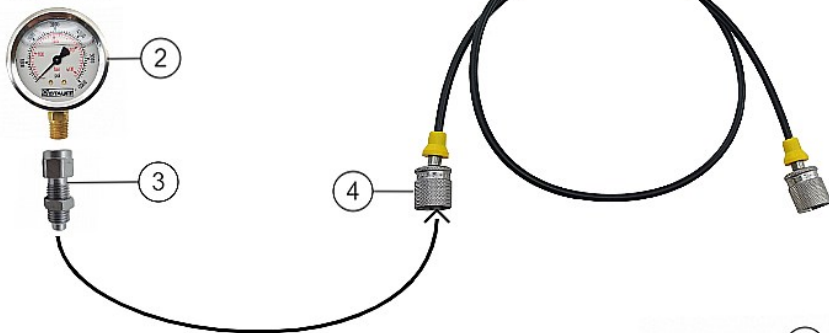


## TOOLS & KITS

2000 PSI



6000 PSI



\*All manufacturers names, numbers, marks, trademarks and symbols and descriptions are used for reference purposes only. Use of parts not supplied from the original manufacturer on machines under manufacturer warranty could potentially void your manufacturer warranty. Machined parts are built by Axis, not the original manufacturer.

Axis Tools



No.	Axis Part No	Qty	Description	Notes
1	HF14TP-2000	1	2000 PSI GAUGE	
2	HF14TP-6000	1	6000 PSI GAUGE	
3	HF14TPA	1	TEST PORT HOSE ADAPTER TO #4 FNPT	
4	HF14TPH	1	TEST PORT HOSE 36"	
5	AT100112	1	LOAD SENSE VALVE REMOVAL TOOL	
6	MS345149	1	CHECK VALVE ALLEN KEY	
7	MW103538	1	GAUGE ADAPTER FITTING	
8	MS345011	1	TOOL - SUPERCUT MAIN SAW CHECK VALVE REMOVAL	
9	EP750100	1	CRIMP TOOL - BOOTLACE FERRULES	
10	EP910150	1	DEUTSCH CRIMP TOOL 16 GAUGE	
11	EP905005	1	DEUTSCH PULLER RED	
12	EP910151	1	DEUTSCH CRIMP TOOL 20 GAUGE	

\*All manufacturers names, numbers, marks, trademarks and symbols and descriptions are used for reference purposes only. Use of parts not supplied from the original manufacturer on machines under manufacturer warranty could potentially void your manufacturer warranty. Machined parts are built by Axis, not the original manufacturer.

Axis Kits



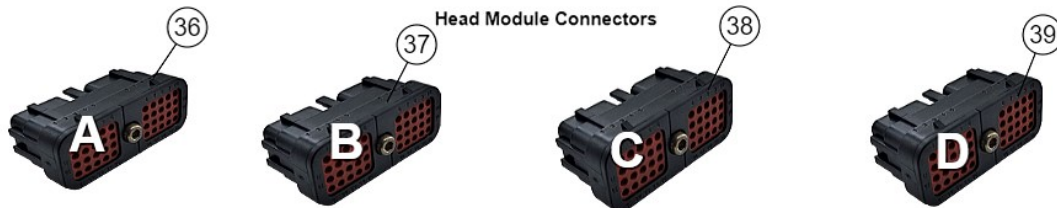
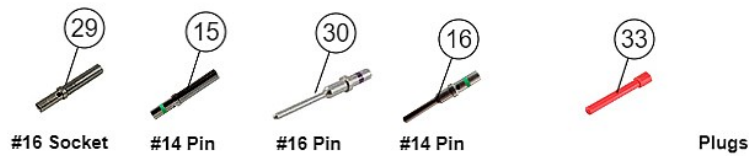
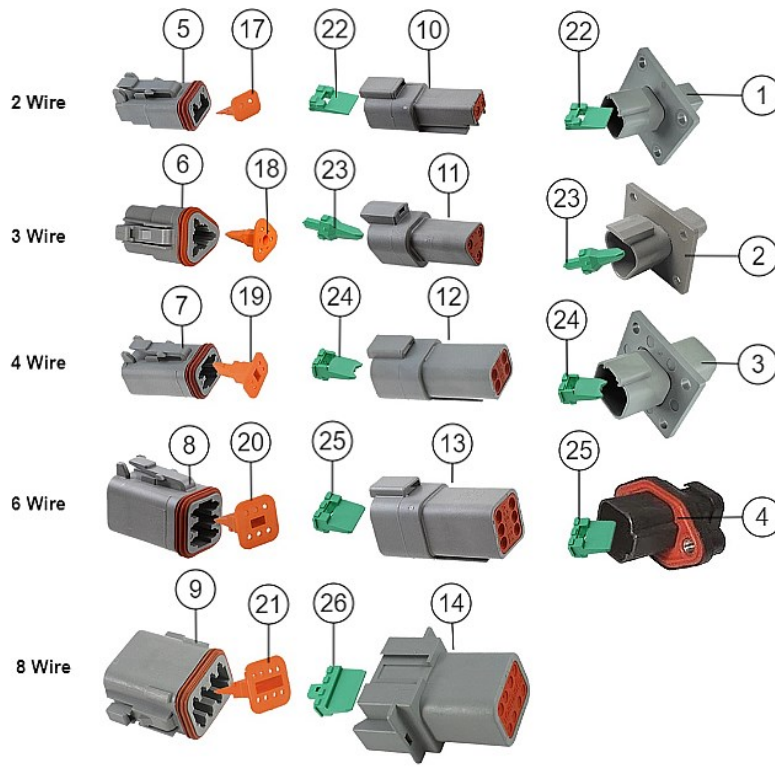
\*All manufacturers names, numbers, marks, trademarks and symbols and descriptions are used for reference purposes only. Use of parts not supplied from the original manufacturer on machines under manufacturer warranty could potentially void your manufacturer warranty. Machined parts are built by Axis, not the original manufacturer.

## Axis Kits

No.	Axis Part No	Qty	Description	Notes
1	EP910152	1	DEUTSCH SERVICE KIT	
2	ORK2016	1	COMMON O-RING KIT	
3	HP480100	1	HANDLE KIT - DANFOSS HANDLES	INCLUDES POTENTIOMETER
4	HP480101	1	HANDLE KIT - DANFOSS HANDLES	LESS POTENTIOMETER
5	GFW100	1	ANTI-VIBRATION LOCKWASHER KIT 1/4"-3/4"	

\*All manufacturers names, numbers, marks, trademarks and symbols and descriptions are used for reference purposes only.  
Use of parts not supplied from the original manufacturer on machines under manufacturer warranty could potentially void your  
manufacturer warranty. Machined parts are built by Axis, not the original manufacturer.

Deutsch Parts



\*All manufacturers names, numbers, marks, trademarks and symbols and descriptions are used for reference purposes only. Use of parts not supplied from the original manufacturer on machines under manufacturer warranty could potentially void your manufacturer warranty. Machined parts are built by Axis, not the original manufacturer.

Deutsch Parts

No.	Axis Part No	Qty	Description	Notes
1	EP100215	1	2 WIRE FLANGE MOUNT RECEPTACLE	
2	EP100209	1	3 WIRE FLANGE MOUNT RECEPTACLE	
3	EP100210	1	4 WIRE FLANGE MOUNT RECEPTACLE	
4	EP100211	1	6 WIRE FLANGE MOUNT RECEPTACLE	
5	EP910172	1	2 WIRE PLUG	
6	EP910173	1	3 WIRE PLUG	
7	EP910174	1	4 WIRE PLUG	
8	EP910176	1	6 WIRE PLUG	
9	EP910178	1	8 WIRE PLUG	
10	EP910132	1	2 WIRE RECEPTACLE	
11	EP910133	1	3 WIRE RECEPTACLE	
12	EP910134	1	4 WIRE RECEPTACLE	
13	EP910136	1	6 WIRE RECEPTACLE	
14	EP910138	1	8 WIRE RECEPTACLE	
15	EP910308	1	DEUTSCH SOCKER TERMINAL #14	FOR LARGER GAUGE WIRES
16	EP910309	1	DEUTSCH SOCKER TERMINAL #14	FOR LARGER GAUGE WIRES
17	EP920201	1	ORANGE WEDGELOCK FOR 2 WIRE PLUG	
18	EP920301	1	ORANGE WEDGELOCK FOR 3 WIRE PLUG	
19	EP920401	1	ORANGE WEDGELOCK FOR 4 WIRE PLUG	
20	EP920601	1	ORANGE WEDGELOCK FOR 6 WIRE PLUG	
21	EP920801	1	ORANGE WEDGELOCK FOR 8 WIRE PLUG	
22	EP920202	1	GREEN WEDGELOCK FOR 2 WIRE RECEPTACLE	
23	EP920302	1	GREEN WEDGELOCK FOR 3 WIRE RECEPTACLE	
24	EP920402	1	GREEN WEDGELOCK FOR 4 WIRE RECEPTACLE	
25	EP920602	1	GREEN WEDGELOCK FOR 6 WIRE RECEPTACLE	
26	EP920802	1	GREEN WEDGELOCK FOR 8 WIRE RECEPTACLE	
27	EP910320	1	SOCKET TERMINAL #20	
28	EP910321	1	PIN TERMINAL #20	
29	EP910310	1	SOCKET TERMINAL #16	
30	EP910311	1	PIN TERMINAL #16	
31	EP910151	1	CRIMP TOOL 20 GAUGE	
32	EP910150	1	CRIMP TOOL 16 GAUGE	
33	EP910320	1	SEAL PLUG #20 RED	
34	EP910316	1	SEAL PLUG #16 WHITE	
35	EP905005	1	DEUTSCH PULLER RED	
36	EP910326A	1	DEUTSCH PLUG "A KEY"	
37	EP910326B	1	DEUTSCH PLUG "B KEY"	
38	EP910326C	1	DEUTSCH PLUG "C KEY"	
39	EP910326D	1	DEUTSCH PLUG "D KEY"	

\*All manufacturers names, numbers, marks, trademarks and symbols and descriptions are used for reference purposes only. Use of parts not supplied from the original manufacturer on machines under manufacturer warranty could potentially void your manufacturer warranty. Machined parts are built by Axis, not the original manufacturer.

O-Rings

							
FITTING SIZE	ORFS FLAT FACE	ORB O-RING BOSS	BSP BONDED SEAL	BSP CAPTIVE SEAL	BSP O-RING W/BACKNUT	CODE 61 FLANGE	CODE 62 FLANGE
1/8" -2			BSP2	ED2			
1/4" -4	R24320C	ORB3-904	BSP4	ED4	R24420C		
3/8" -6	R24321C	ORB3-906	BSP6	ED6	R24422C		
1/2" -8	R24323C	ORB3-908	BSP8	ED8	R249479C		
5/8" -10	R24325C	ORB3-910	BSP10	ED10	ORB3-910		
3/4" -12	R24327C	ORB3-912	BSP12	ED12	T314479C		R24523C
1" -16	R24330C	ORB3-961	BSP16	ED16	R24526C		R24528C
1-1/4" -20			BSP20			R24531C	

METRIC

M6			BSP6M				
M18			BSP18M				

Plugs and Caps



ORFS FLAT FACE

ORB O-RING BOSS

BSPP

JIC

	ORFS FLAT FACE		ORB O-RING BOSS		BSPP		JIC	
<b>1/8" -2</b>			PLUG	HF80-2				
<b>1/4" -4</b>	CAP	HF70-4	PLUG	HF80-4	CAP	HF50-4	CAP	HF30-4
	PLUG	HF60-4			PLUG	HF40-4	PLUG	HF20-4
<b>3/8" -6</b>	CAP	HF70-6	PLUG	HF80-6	CAP	HF50-6	CAP	HF30-6
	PLUG	HF60-6			PLUG	HF40-6	PLUG	HF20-6
<b>1/2" -8</b>	CAP	HF70-8	PLUG	HF80-8	CAP	HF50-8	CAP	HF30-8
	PLUG	HF60-8			PLUG	HF40-8	PLUG	HF20-8
<b>5/8" -10</b>	CAP	HF70-10	PLUG	HF80-10	CAP	HF50-10	CAP	HF30-10
	PLUG	HF60-10			PLUG	HF40-10	PLUG	HF20-10
<b>3/4" -12</b>	CAP	HF70-12	PLUG	HF80-12	CAP	HF50-12	CAP	HF30-12
	PLUG	HF60-12			PLUG	HF40-12	PLUG	HF20-12
<b>1" -16</b>	CAP	HF70-16			CAP	HF50-16	CAP	HF30-16
	PLUG	HF60-16			PLUG	HF40-16	PLUG	HF20-16
<b>1-1/4"</b>	CAP	HF70-20					CAP	HF30-20
	PLUG	HF60-20					PLUG	HF20-20





# **AXIS**

FORESTRY INC

**Axis Forestry Inc.**

Kamloops, BC, Canada

Post Falls, ID, U.S.A.

Toll Free North America: 1-888-678-2947

Local: 1-778-471-2947

[www.axisforestry.com](http://www.axisforestry.com)

Email: [parts@axisforestry.com](mailto:parts@axisforestry.com)