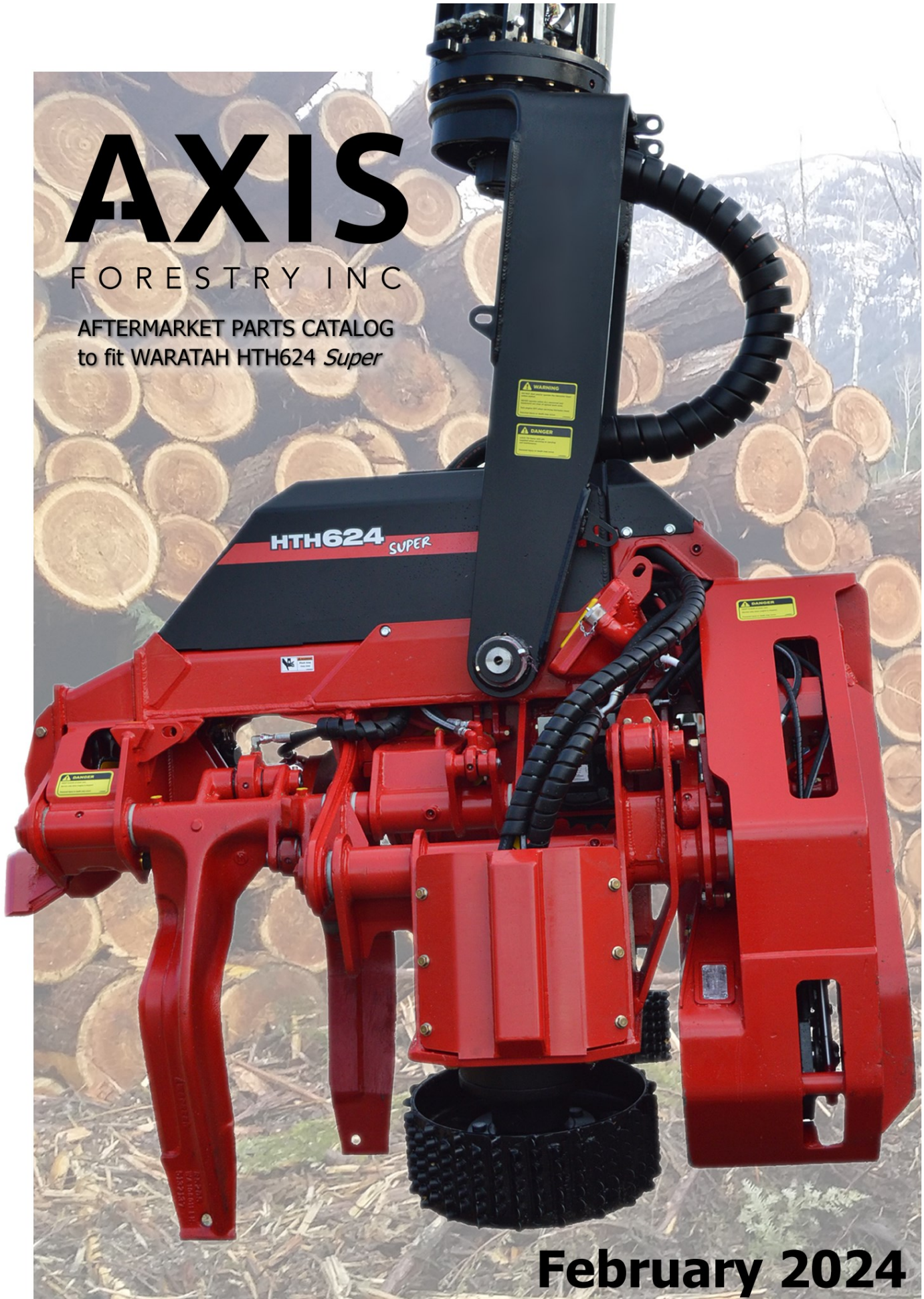


AXIS

FORESTRY INC

AFTERMARKET PARTS CATALOG
to fit WARATAH HTH624 *Super*



February 2024

*** Reference this Serial Number when contacting
Axis Forestry Inc. for Parts, Service &
Tech Support**



IT'S TIME TO UPDATE YOUR COMPUTER TO THE
CYPRESS

SOFTWARE Easy to install and set up. Easy to navigate touch screen.

SETTINGS Easy to use settings.

CONNECT Remotely view production status, reports, latest software updates.

PERFORM Accurate measuring. Easy to calibrate and set pressures.

PROFILE Set-up operator profiles for machine access and custom settings.

CUSTOMIZE Each operator can custom map their grip profile and grip type



AFTERMARKET PARTS CATALOG

Axis Forestry Inc.

Kamloops, BC, Canada

Post Falls, ID, U.S.A.

Toll Free North America: 1-888-678-2947

Local: 1-778-471-2947

www.axisforestry.com

Email: parts@axisforestry.com

This parts catalog is produced for logging contractors who own Waratah processor attachments and who own a processor that has been rebuilt by Axis Forestry Inc. Axis Forestry Inc. has no affiliation with Waratah Forestry Attachments whatsoever. All parts listed in this catalog are manufactured and provided by Axis Forestry Inc. with no affiliation with Waratah Forestry Attachments. Trademark names, marks and symbols are for customer reference purposes only.

Copyright 2020-2024 Axis Forestry Inc.

No part of this document may be duplicated or photocopied without the written permission of Axis Forestry Inc.

CONTENTS

GUARDS AND COVERS GROUP

Guards and Covers	10
-------------------------	----

ROTATE AND TILT GROUP

270° Rotator	14
270° Swivel	16
Tilt	18
Tilt Bumpers	20
360° Rotator	22
360° Continuous Rotation	24

CYLINDERS GROUP

Delimb Arm Cylinder	28
Tilt Cylinder	30
Feed Arm Cylinders	32
Measuring Arm Cylinder	34
Top Saw Cylinder	36
3/4" Saw Cylinder	38

DELIMBING GROUP

Front Knife	42
Delimb Arms	44

FEED ARM AND FEED MOTORS GROUP

Feed Arms Pins and Bushings	48
Feed Wheels and Motors	50
Fixed Feed Motor	52
Fixed Motor Manifolds	54

LENGTH AND DIAMETER MEASURING GROUP

Length Measuring Assembly Made to fit LogRite	58
Length Measuring Wheels Made to fit TimberRite	60
Length Measure Wheel Options	62
Accumulator	64
Diameter Measuring	66
Find End	68

COMPUTER GROUP

Axis Product Made to Fit LogRite

Head Module.....	72
270° Rotation Heads - Boom Wiring.....	74
Head Wiring.....	76
Cab Module.....	78
Key Switch Box and Cable.....	80
Display Screens and Menu Navigation.....	82
Pump Solenoids.....	84
Danfoss Control Handles.....	86
Species/Preselect Keypad.....	88
Axis Control Handles.....	90
Sure Grip Control Handles.....	92

Axis Product Made to Fit TimberRite

Head Module.....	94
270° Rotation Heads - Boom Wiring.....	96
360° Rotation Heads - Boom Wiring.....	98
Cab Components Touch Screen.....	100
Terminal Box.....	102
Pump Solenoids & Wiring.....	104
Danfoss Control Handles.....	106
Danfoss Species/Preselect Keypad.....	108
Sure Grip Control Handles.....	110

MAIN SAW AND TOP SAW GROUP

Chain Oil Cap, Bar and Chain.....	114
3/4" Main Saw.....	116
3/4" Main Saw Sprocket Assembly.....	118
Top Saw Assembly.....	120
Top Saw Motor and Sprocket Assembly.....	122

VALVE BANK GROUP

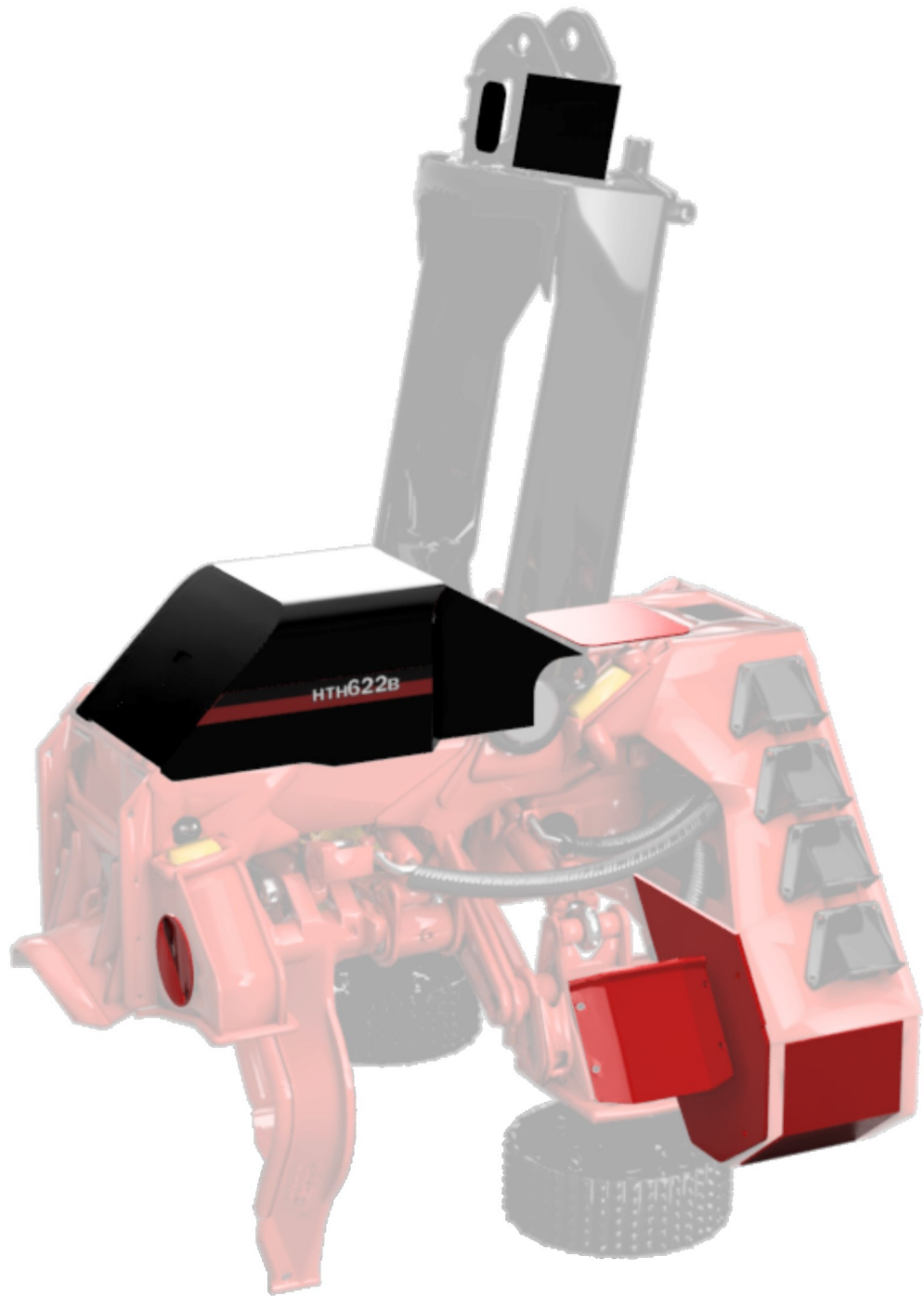
Valve Bank Mounting 124
Delimb Manifold PVG32 126
Length Measuring Manifold PVG32 128
Feed Arms Manifold PVG32 130
Tilt Cylinder Manifold PVG32 132
Main Saw Cylinder Cut and Both Saw Bars Return PVG32..... 134
Pump Side Module Manifold..... 136
Top Saw Manifold Serial 115+ 138
Valve Bank Serial 001-114 Master Seal Kit..... 140
Valve Bank Serial 115+ Master Seal Kit 142
Valve Bank Description Serial 000-114..... 144
Valve Bank Description Serial 115+ 146
Valve Bank Description 148
PVG120 Manifolds 150
Pvg120 End Manifold..... 152
Feed Arm Cylinder Remote Manifold 154

HYDRAULIC HOSE AND FITTINGS GROUP

Spiral Hose Wrap 158
Feed Cylinder Hose & Fittings..... 160
Measuring Hose and Fittings 162
Delimb Cylinder Hose & Fittings 164
Tilt Cylinder Hose & Fittings 166
3/4" Main Saw Hose & Fittings..... 168
Top Saw Hose and Fittings..... 170
Left Motor Hose & Fittings 172
Right Motor Hose & Fittings 174
270' Degree Swivel Hose & Fittings 176
360' Degree Swivel Hose & Fittings 178

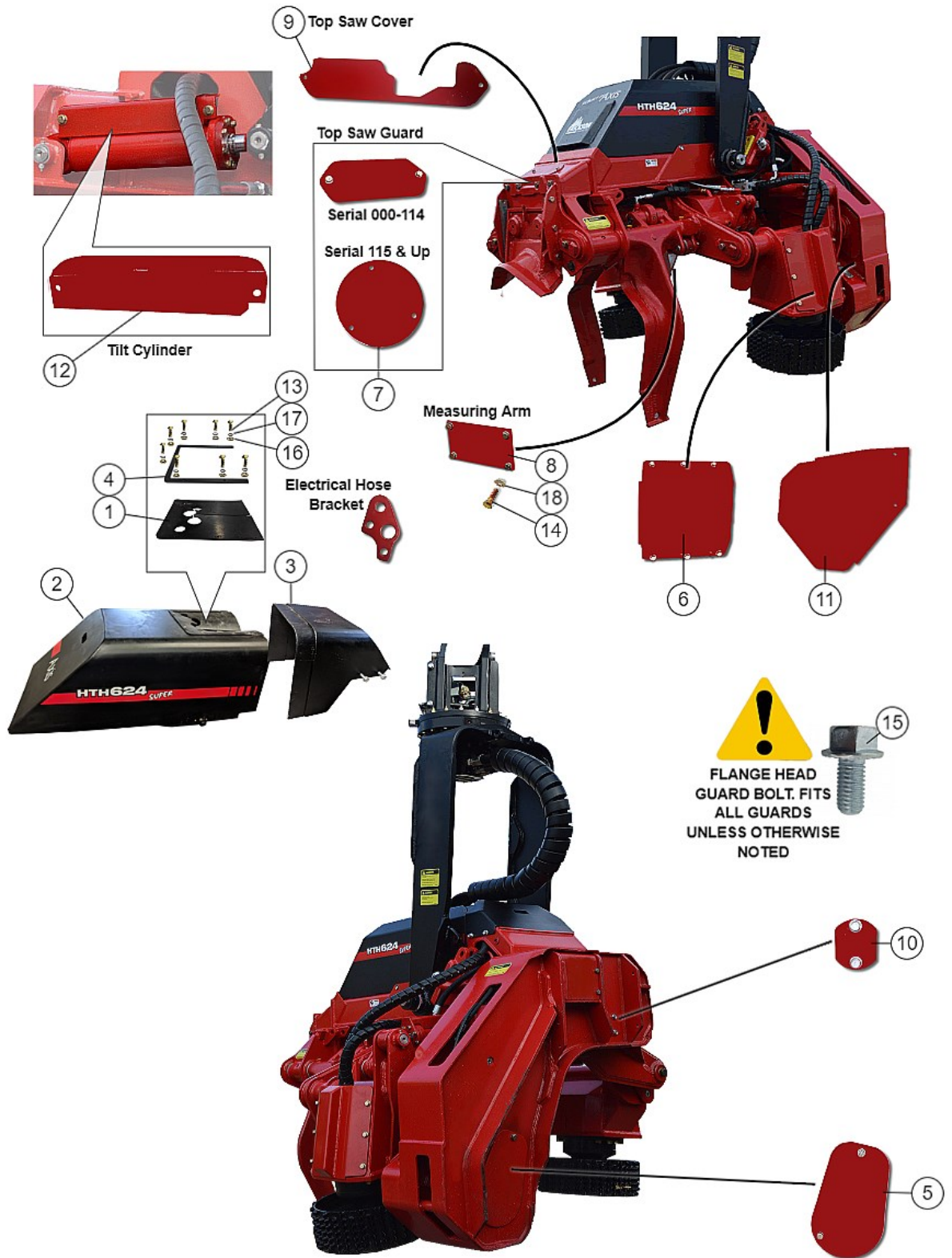
ACCESSORIES

Tools..... 182
Kits 184
Deustch Connector Parts..... 186
O-Rings..... 188
Plugs and Caps 189



GUARDS & COVERS GROUP

Axis Guards and Covers



*All manufacturers names, numbers, marks, trademarks and symbols and descriptions are used for reference purposes only. Use of parts not supplied from the original manufacturer on machines under manufacturer warranty could potentially void your manufacturer warranty. Machined parts are built by Axis, not the original manufacturer.

Axis Guards and Covers

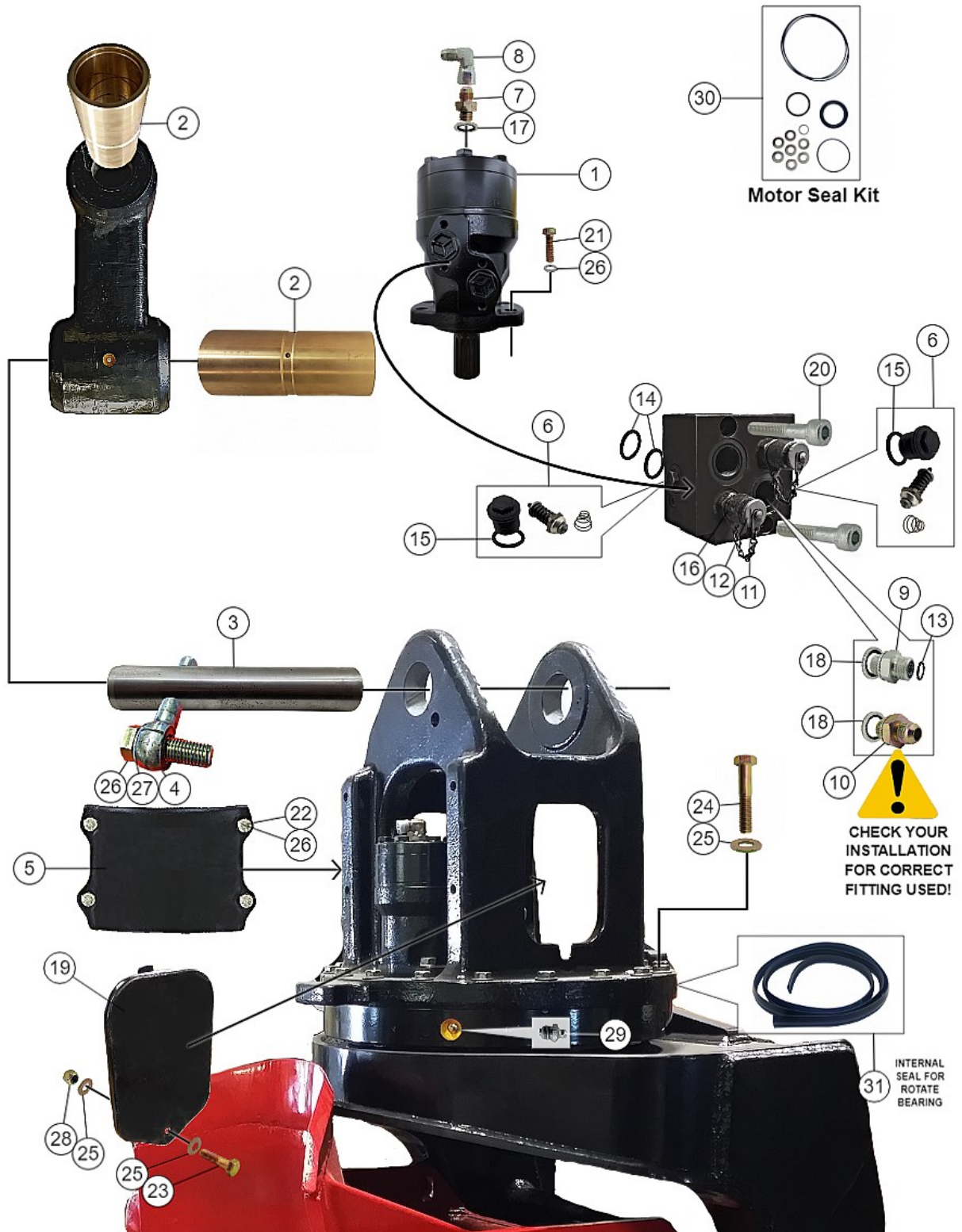
No.	Axis Part No	Qty	Description	Notes
1	GC312017	1	624 RUBBER HOSE COVER	
2	GC500104	1	VALVE BANK COVER, 624 FRONT MAIN ALUMINUM	
3	GC500105	1	VALVE BANK COVER, 624 REAR	
4	GC500110	1	RETAINER CLAMP FOR GC500104 624 VALVE BANK COVER	
5	GC624106	1	COVER, 624 MAIN SAW INSPECTION COVER	
6	GC624107	2	GUARD, LATE 624, 624C FEED ARM MOTOR	
7	GC624110	1	COVER - TOP SAW INSPECTION COVER	
8	GC624112	1	COVER, 624 LENGTH MEASURING INSPECTION	
9	GC624113	1	COVER, 624 TOP SAW COVER	
10	GC624115	2	COVER, 624 REAR COVER OF BUTT SAW	
11	GC624117	1	COVER, 624 MAIN SAW TOP	
12	GC624118	1	GUARD, 624 TILT CYLINDER	
13	GFB1250125	8	BOLT 1/4" X 1.25" HEX UNC	
14	GFB1375100	4	BOLT 3/8" X 1" UNC HEX	
15	GFB1500100FL	1	BOLT 1/2" X 1" UNC SERRATED FLANGE	
16	GFW1250	8	WASHER 1/4" HARDENED	
17	GFW5250	1	ANTI-VIBRATION LOCKWASHER 1/4" (M6)	
18	GFW5375	4	ANTI-VIBRATION LOCKWASHER 3/8" (M10)	

*All manufacturers names, numbers, marks, trademarks and symbols and descriptions are used for reference purposes only. Use of parts not supplied from the original manufacturer on machines under manufacturer warranty could potentially void your manufacturer warranty. Machined parts are built by Axis, not the original manufacturer.



ROTATE & TILT GROUP

Axis Rotator for 270° Swivel



*All manufacturers names, numbers, marks, trademarks and symbols and descriptions are used for reference purposes only. Use of parts not supplied from the original manufacturer on machines under manufacturer warranty could potentially void your manufacturer warranty. Machined parts are built by Axis, not the original manufacturer.

Axis Rotator for 270° Swivel

No.	Axis Part No	Qty	Description	Notes
1	MT540010	1	HYDRAULIC MOTOR - ROTATOR	
2	BW837618	2	BRONZE BUSHING DOGBONE LINK	
3	PN4000325	1	PIN - DOGBONE LINK	
4	PN150084	1	PIN, ROTATE PIN RETAINER	
5	GC700107	1	GUARD, 360 ROTATE	
6	HV292080	2	SHOCK VALVE - 80 BAR	
7	HF2040-6-4	1	FITTING, #6 JIC MALE X #4 BSPP MALE	
8	HF2939-6-6	1	FITTING, #6 JIC MALE X #6 JIC FEMALE 90 DEGREE	
9	HF4060-8-8	1	FITTING, #8 BSP MALE X #8 ORFS MALE	
10	HF2040-8-8	1	FITTING, #8 JIC MALE X #8 BSPP MALE	
11	HF14TPC	2	TEST PORT CAP	
12	HF14TP	2	TEST PORT 1/4" BSP	
13	R24323C	1	O-RING, #8 ORFS	
14	R24428C	1	O RING	
15	T235395C	1	O-RING	
16	ED4	2	SPECIAL BSPP SEAL #4	
17	BSP4	1	BSPP BONDED SEAL, #4	
18	BSP8	2	BSPP BONDED SEAL, #8 (1/2")	
19	GC622119	1	ROTATE GUARD (REPLACES FACTORY CAST GUARD)	
20	GFB80845	2	BOLT, M8 X 45MM	
21	GFB94500200	4	BOLT, 1/2" X 2", 12 POINT HEAD	
22	GFB1500125	4	BOLT, 1/2" X 1.25" UNC HEX	
23	GFB1500200	2	BOLT, 1/2" X 2" UNC HEX	
24	GFB1500250	18	BOLT, 1/2" X 2.5" UNC HEX	
25	GFB1750200	1	BOLT, 3/4" X 2" UNC HEX HEAD	
26	GFW1500	19	WASHER, 1/2" HARDENED	
27	GFW5500	4	ANTI-VIBRATION LOCKWASHER 1/2" (M12)	
28	GFW5750	1	ANTIVIBRATION LOCKWASHER 3/4" (M18-20)	
29	GFN4500	1	NYLOCK NUT, 1/2" UNC	
30	GFZ14P	2	GREASE FITTING 1/4-28	
31	GFZ18P	1	ZERK FITTING 1/8" PIPE	
32	SK540011	1	SEAL KIT, FITS MT540010 ROTATE MOTOR	
33	SK170100	1	SEAL, ROTATE BEARING	

*All manufacturers names, numbers, marks, trademarks and symbols and descriptions are used for reference purposes only. Use of parts not supplied from the original manufacturer on machines under manufacturer warranty could potentially void your manufacturer warranty. Machined parts are built by Axis, not the original manufacturer.

Axis 270° Swivel



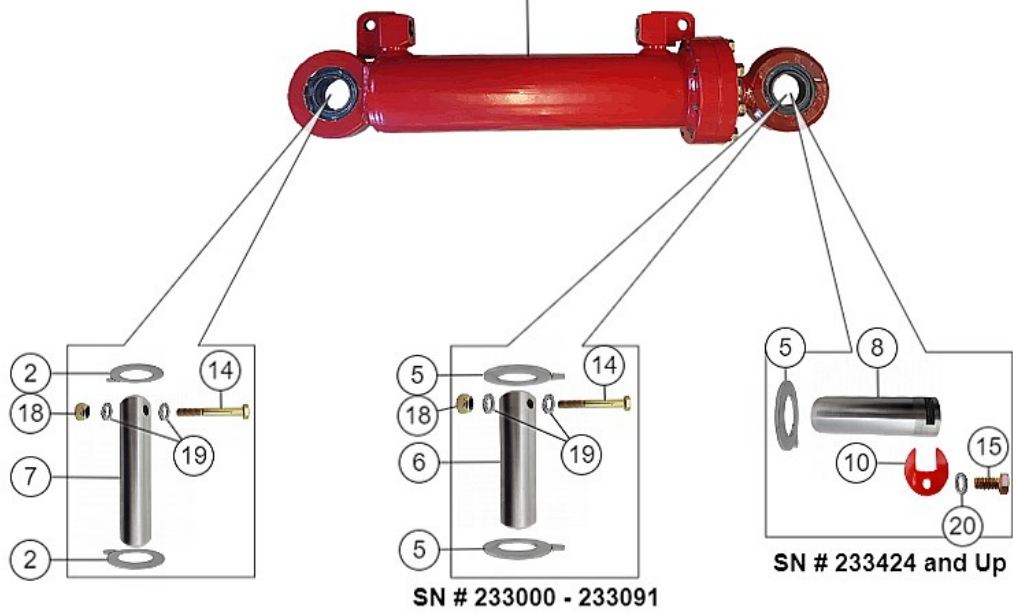
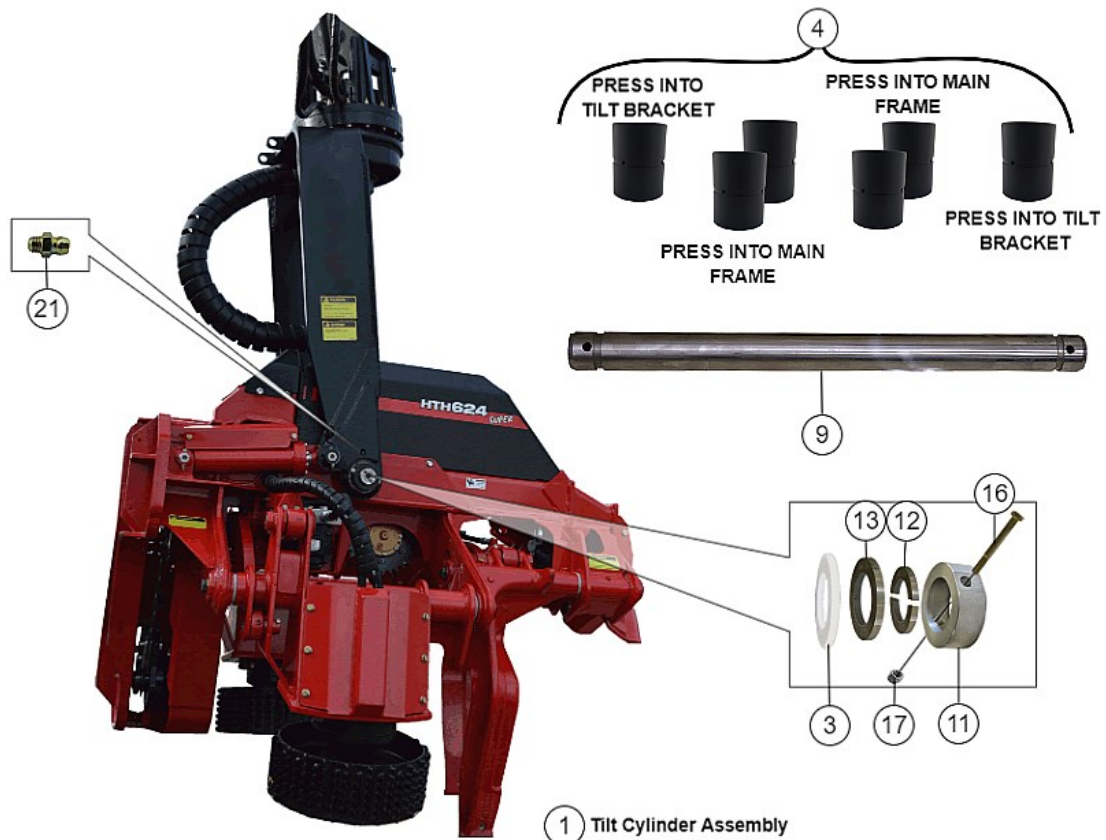
*All manufacturers names, numbers, marks, trademarks and symbols and descriptions are used for reference purposes only. Use of parts not supplied from the original manufacturer on machines under manufacturer warranty could potentially void your manufacturer warranty. Machined parts are built by Axis, not the original manufacturer.

Axis 270° Swivel

No.	Axis Part No	Qty	Description	Notes
1	HS640100	1	HOSE SWIVEL - HEAVY DUTY COMPLETE KIT	INCLUDES FITTINGS, BUSHINGS AND HARDWARE
2	HS640101	1	HOSE SWIVEL - HEAVY DUTY INNER & OUTER RINGS	INNER AND OUTER SWIVEL ONLY
3	HF2040-20-16	2	FITTING - #20 JIC MALE X #16 BSPP MALE	
4	HF4060-16-16	2	FITTING - #16 BSPP MALE X #16 ORFS MALE	
5	GFB1875325	2	BOLT - 7/8" UNC X 3-1/4"	
6	BW282320	2	NYLON BUSHING - SWIVEL BOLT	
7	GFW1875	2	WASHER - 7/8" HARDENED	
8	GFN4875	2	NUT - NYLOCK 7/8" UNC	
9	GFB3625275	2	BOLT S/CAP - 5/8" X 2-3/4" UNC	
10	GFZ18P	3	GREASE FITTING	
11	BSP16	4	BSP BONDED SEAL #16	
12	R24330C	2	O-RING #16 ORFS	

*All manufacturers names, numbers, marks, trademarks and symbols and descriptions are used for reference purposes only. Use of parts not supplied from the original manufacturer on machines under manufacturer warranty could potentially void your manufacturer warranty. Machined parts are built by Axis, not the original manufacturer.

Axis Tilt



*All manufacturers names, numbers, marks, trademarks and symbols and descriptions are used for reference purposes only. Use of parts not supplied from the original manufacturer on machines under manufacturer warranty could potentially void your manufacturer warranty. Machined parts are built by Axis, not the original manufacturer.

Axis Tilt

No.	Axis Part No	Qty	Description	Notes
1	CW125101	1	TILT CYLINDER ASSEMBLY	
2	BW503202C	2	STAINLESS STEEL WASHER - LINKS	
3	BW631105	1	NYLON SPACER	
4	BW7663100	6	NYLON BUSHING	
5	BW643804C	3	STEEL TILT CYLINDER WASHER	
6	PN240131	1	PIN - CYLINDER ROD END	
7	PN240186	1	PIN - TILT CYL BLANK END	
8	PN242115	1	PIN - DELIMB & FEED LINK,	
9	PN4010878	1	MAIN TILT PIN	
10	MR242500	1	RETAINER	
11	MR401390	1	RETAINER - TILT PIN	
12	MR401391	2	SPLIT RING FOR TILT PIN	
13	MR401392	1	SPACER FOR TILT PIN	
14	GFB1312250	2	BOLT, 5/16" X 2.50" UNC HEX	
15	GFB1375075	1	BOLT, 3/8 X 3/4" UNC HEX	
16	GFB1500450	1	BOLT, 1/2" X 4.50" UNC HEX	
17	GFN4500	1	NYLOCK NUT, 1/2" UNC	
18	GFN4312	2	NUT - NYLOCK 5/16" UNC	
19	GFW5312	4	ANTI-VIBRATION LOCKWASHER 5/16 (M8)	
20	GFW5375	1	ANTI-VIBRATION LOCKWASHER 3/8" (M10)	
21	GFZ14P	1	GREASE FITTING 1/4-28	

*All manufacturers names, numbers, marks, trademarks and symbols and descriptions are used for reference purposes only. Use of parts not supplied from the original manufacturer on machines under manufacturer warranty could potentially void your manufacturer warranty. Machined parts are built by Axis, not the original manufacturer.

Axis Tilt Bumpers



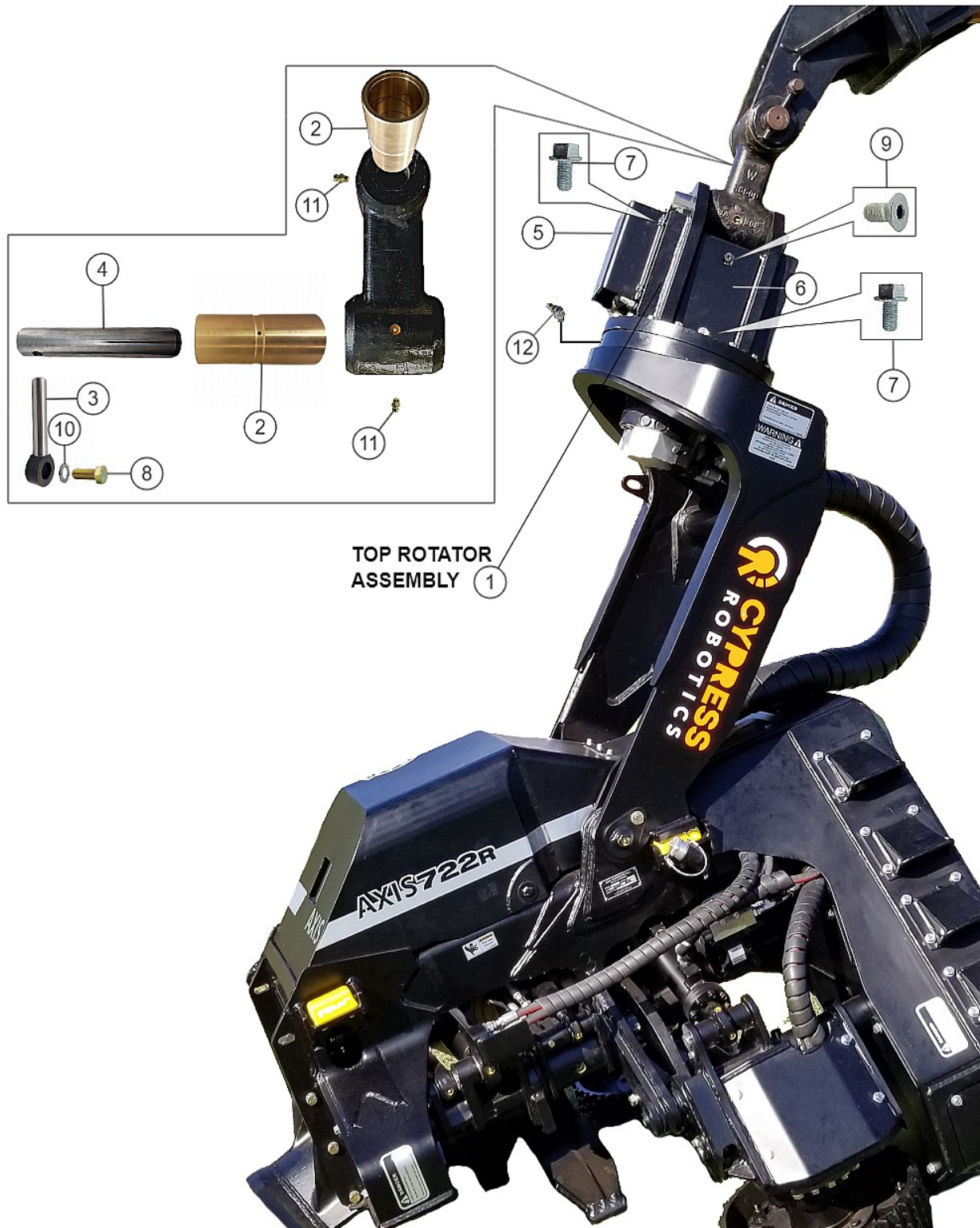
*All manufacturers names, numbers, marks, trademarks and symbols and descriptions are used for reference purposes only. Use of parts not supplied from the original manufacturer on machines under manufacturer warranty could potentially void your manufacturer warranty. Machined parts are built by Axis, not the original manufacturer.

Axis Tilt Bumpers

No.	Axis Part No	Qty	Description	Notes
1	MR561042	1	BUMPER	
2	MR561044	1	TILT BUMPER	
3	GFB1500125	2	BOLT - 1/2" X 1.25" UNC HEX	
4	GFW1500	2	WASHER - 1/2" HARDENED	
5	GFN4500	2	NYLOCK NUT - 1/2" UNC	

*All manufacturers names, numbers, marks, trademarks and symbols and descriptions are used for reference purposes only. Use of parts not supplied from the original manufacturer on machines under manufacturer warranty could potentially void your manufacturer warranty. Machined parts are built by Axis, not the original manufacturer.

Axis Rotator for 360° - 722R Heads



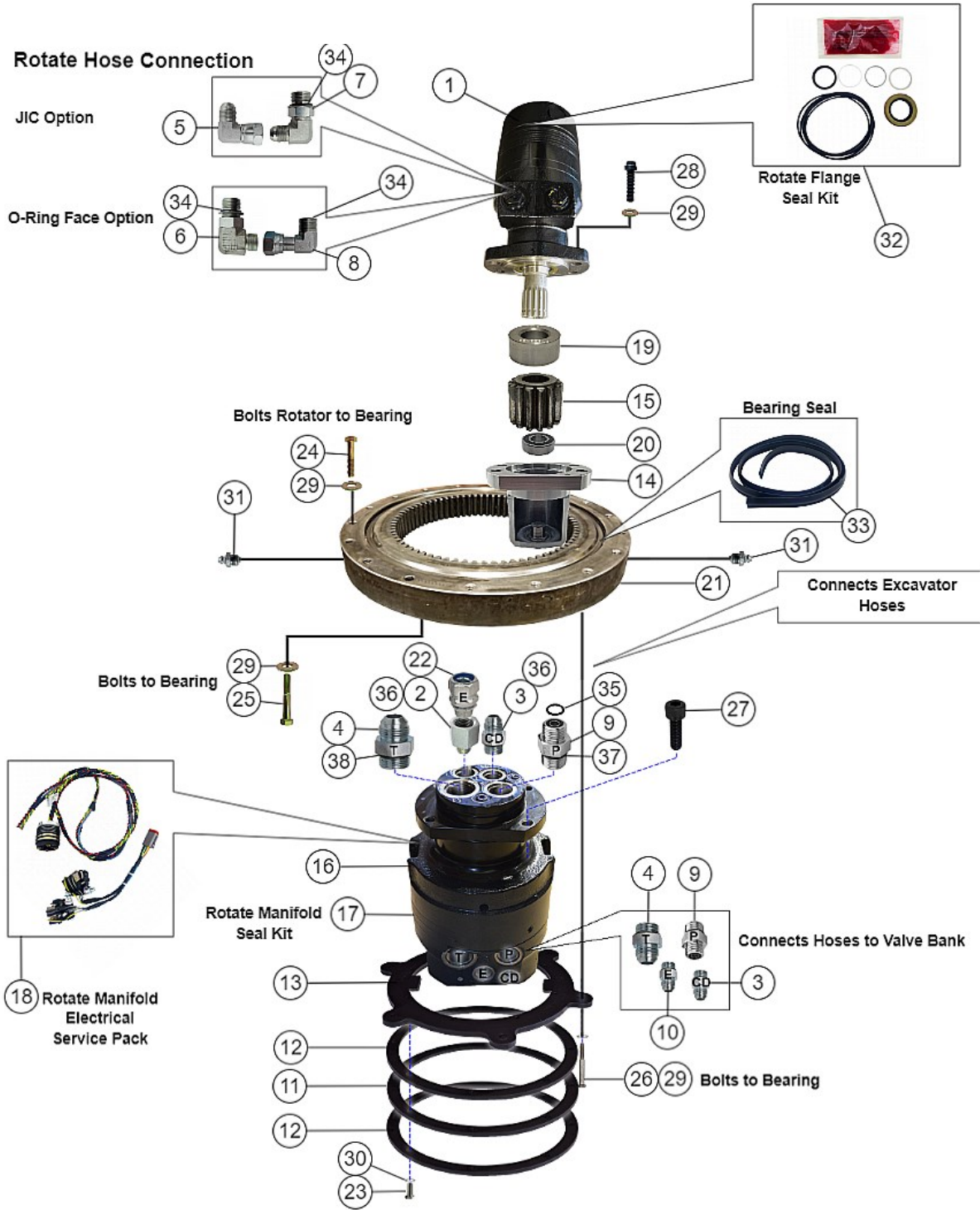
*All manufacturers names, numbers, marks, trademarks and symbols and descriptions are used for reference purposes only. Use of parts not supplied from the original manufacturer on machines under manufacturer warranty could potentially void your manufacturer warranty. Machined parts are built by Axis, not the original manufacturer.

Axis Rotator for 360° - 722R Heads

No.	Axis Part No	Qty	Description	Notes
1	RT100108	1	ROTATOR ASSEMBLY	
2	BW837618	1	BRONZE BUSHING DOGBONE LINK	
3	PN150084	1	PIN - ROTATE PIN RETAINER	
4	PN4000325	1	PIN - DOGBONE LINK	
5	GC622121	1	GUARD	
6	GC700105	2	GUARD	
7	GFB1500100FL	6	BOLT - 1/2" X 1" UNC SERRATED FLANGE	
8	GFB1750200	1	BOLT - 3/4" X 2" UNC HEX HEAD	
9	GFB3500100C	2	BOLT - 1/2" X 1" COUNTERSUNK	
10	GFW5750	1	ANTIVIBRATION LOCKWASHER 3/4"	
11	GFZ14P	2	GREASE FITTING 1/4-28	
12	GFZ14P45	1	GREASE FITTING - 45°	

*All manufacturers names, numbers, marks, trademarks and symbols and descriptions are used for reference purposes only. Use of parts not supplied from the original manufacturer on machines under manufacturer warranty could potentially void your manufacturer warranty. Machined parts are built by Axis, not the original manufacturer.

Axis 360° Swivel - 722R Heads

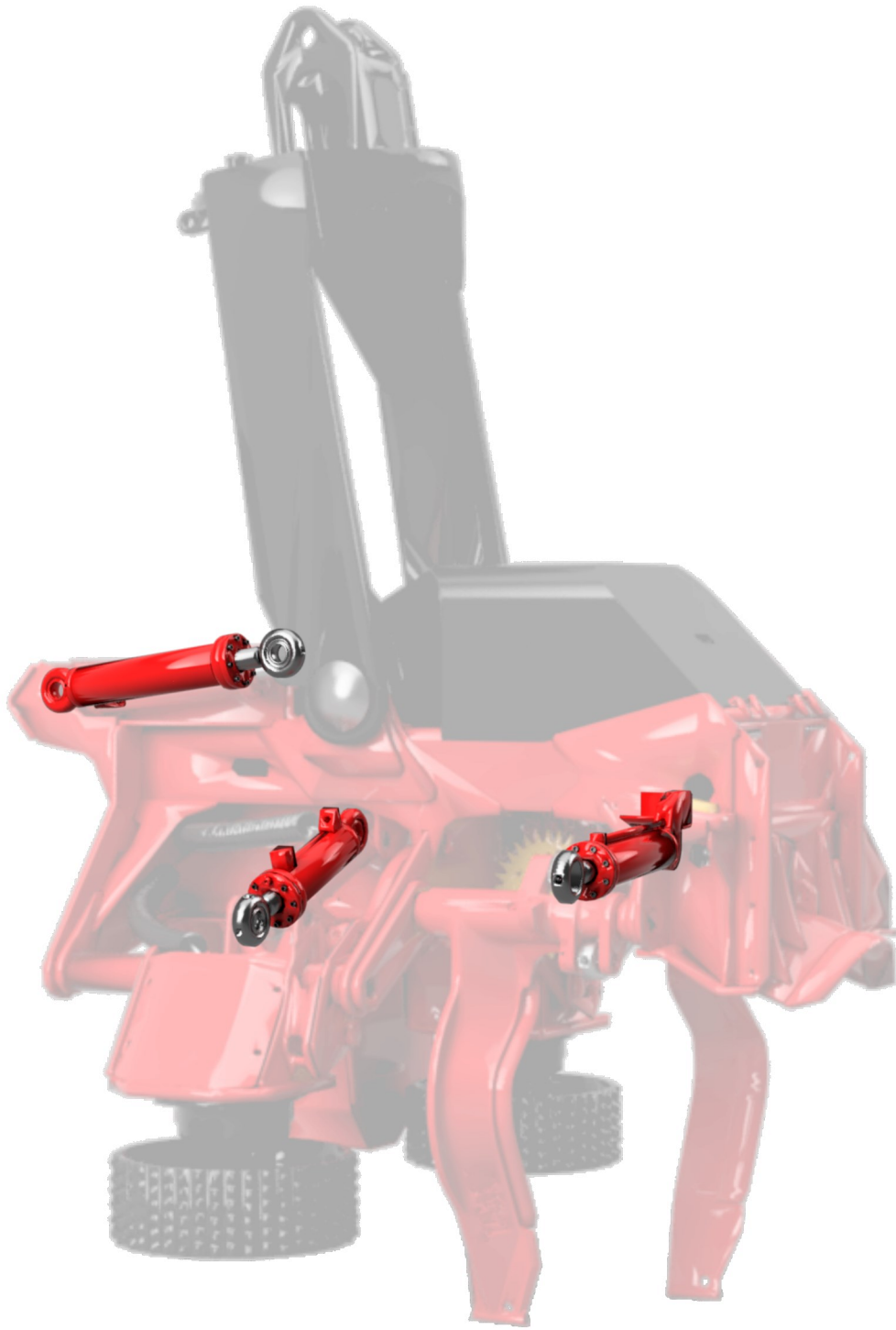


*All manufacturers names, numbers, marks, trademarks and symbols and descriptions are used for reference purposes only. Use of parts not supplied from the original manufacturer on machines under manufacturer warranty could potentially void your manufacturer warranty. Machined parts are built by Axis, not the original manufacturer.

Axis 360° Swivel - 722R Heads

No.	Axis Part No	Qty	Description	Notes
1	MT540015	1	HYDRAULIC MOTOR 360° ROTATE	
2	HF1280-12-12	1	FITTING - #12 MALE ORB X 3/4" FEMALE NPT STRAIGHT	
3	HF2080-12-12	2	FITTING - #12 MALE JIC #12 MALE ORB STRAIGHT	
4	HF2080-20-20	2	FITTING - #20 MALE JIC X #20 MALE ORB	
5	HF2939-8-8	2	FITTING - #8 JIC MALE X #8 JIC FEMALE 90°	
6	HF2989-8-10	2	FITTING - #8 MALE JIC X #10 ORB MALE 90°	
7	HF4969-8-10	2	FITTING - #8 MALE ORFS X #10 MALE ORB 90°	
8	HF6979-8-8	2	FITTING - #8 ORFS MALE X #8 ORFS FEMALE 90°	
9	HF6080-16-16	2	FITTING - #16 MALE ORFS #16 MALE ORB STRAIGHT	
10	RT100110	1	SPECIAL FITTING FOR ELECTRICAL ON 360° ROTATE	
11	RT110812	1	RUBBER SEAL	
12	RT110925	2	PLATE FOR RUBBER SEAL	
13	RT130938	1	TABBED PLATE	
14	RT200101	1	ROTATE PINION SUPPORT	
15	RT200102	1	ROTATE PINION GEAR	
16	RT540940	1	360° ROTATE MANIFOLD	
17	RT540941	1	360° ROTATE MANIFOLD SEAL KIT	
18	RT540942	1	360° ROTATE MANIFOLD ELECTRICAL SERVICE PACK	
19	RT663428	1	SPACER - 360° ROTATE PINION	
20	BR115755	1	BEARING - TOP SAW	
21	BR115756	1	BEARING - ROTATE HOUSING	
22	BR115761	1	ROTATE BEARING	
23	EP99004	1	3/4" CORD CONNECTOR	
24	GFB1312125	8	BOLT - 5/16" X 1.25" UNC HEX	
25	GFB1500200	4	BOLT - 1/2" X 2" UNC HEX	
26	GFB1500250	18	BOLT - 1/2" X 2.5" UNC HEX	
27	GFB1500300	12	BOLT - 1/2" X 3" UNC HEX	
28	GFB1500350	6	BOLT - 1/2" X 3.5" UNC HEX	
29	GFB81650	4	BOLT - M16 X 50 SOCKET HEAD	
30	GFW1500	40	WASHER - 1/2" HARDENED	
31	GFW5312	8	ANTI-VIBRATION LOCKWASHER 5/16"	
32	GFZ18P	2	ZERK FITTING 1/8" PIPE	
32	SK540015	1	SEAL KIT	
33	SK170100	2	SEAL - ROTATE BEARING	
34	R24323C	3	O-RING	
35	R24330C	1	O-RING	
36	ORB3-912	1	O-RING #12 ORB	
37	ORB3-916	1	O-RING #16 ORB	
38	ORB3-920V	1	O-RING #20 ORB	

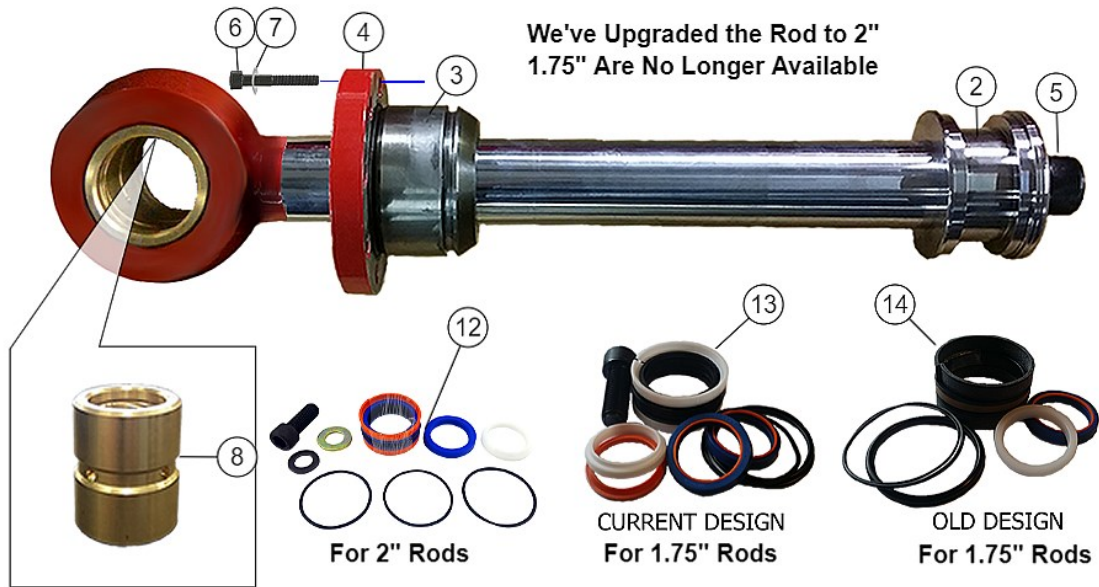
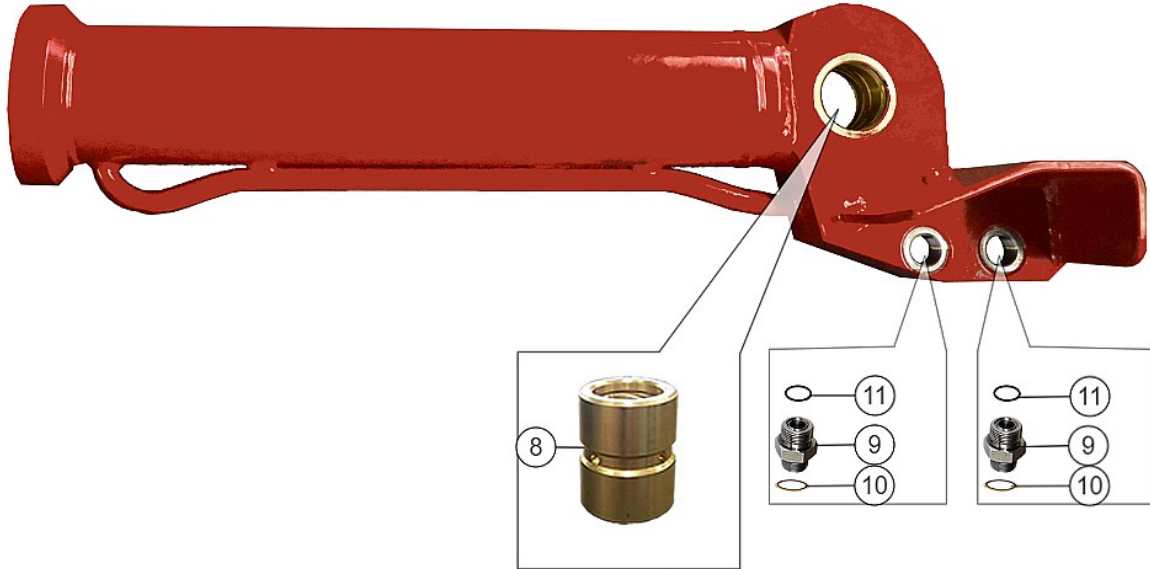
*All manufacturers names, numbers, marks, trademarks and symbols and descriptions are used for reference purposes only. Use of parts not supplied from the original manufacturer on machines under manufacturer warranty could potentially void your manufacturer warranty. Machined parts are built by Axis, not the original manufacturer.



CYLINDERS GROUP

Axis Delimb Arm Cylinder

① DELIMB CYLINDER COMPLETE CURRENT DESIGN AS SHOWN



IS YOUR CYLINDER CURRENT DESIGN OR OLD DESIGN? HOW TO CHECK:

- *OLD DESIGN HAS HEX BOLTS TO RETAIN THE GLAND CAP
- *OLD DESIGN HAS A NUT TO RETAIN THE PISTON
- *CURRENT DESIGN HAS ALLEN HEAD BOLTS TO RETAIN THE GLAND CAP
- *CURRENT DESIGN HAS ALLEN HEAD BOLT TO RETAIN THE PISTON

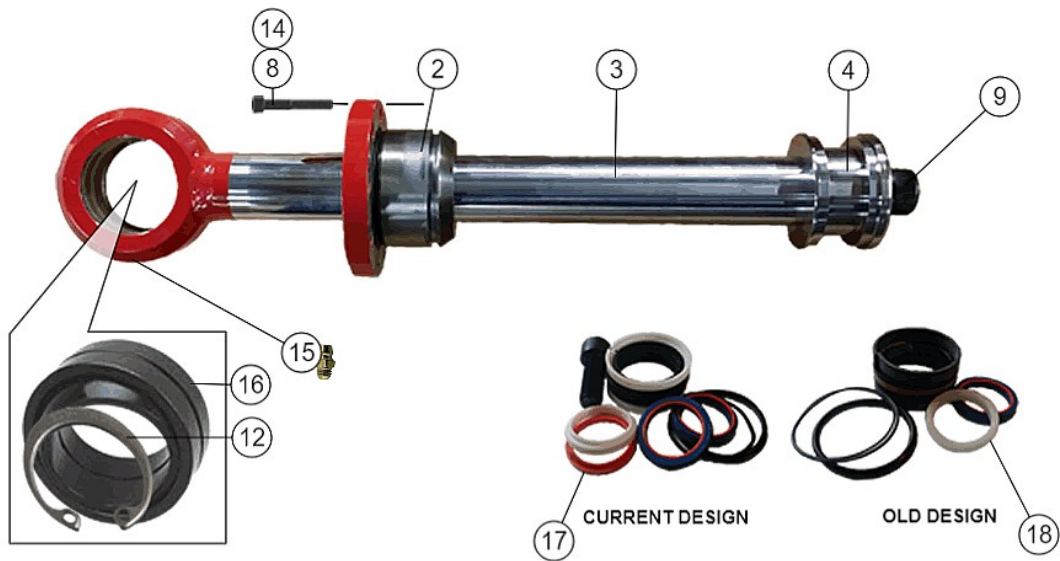
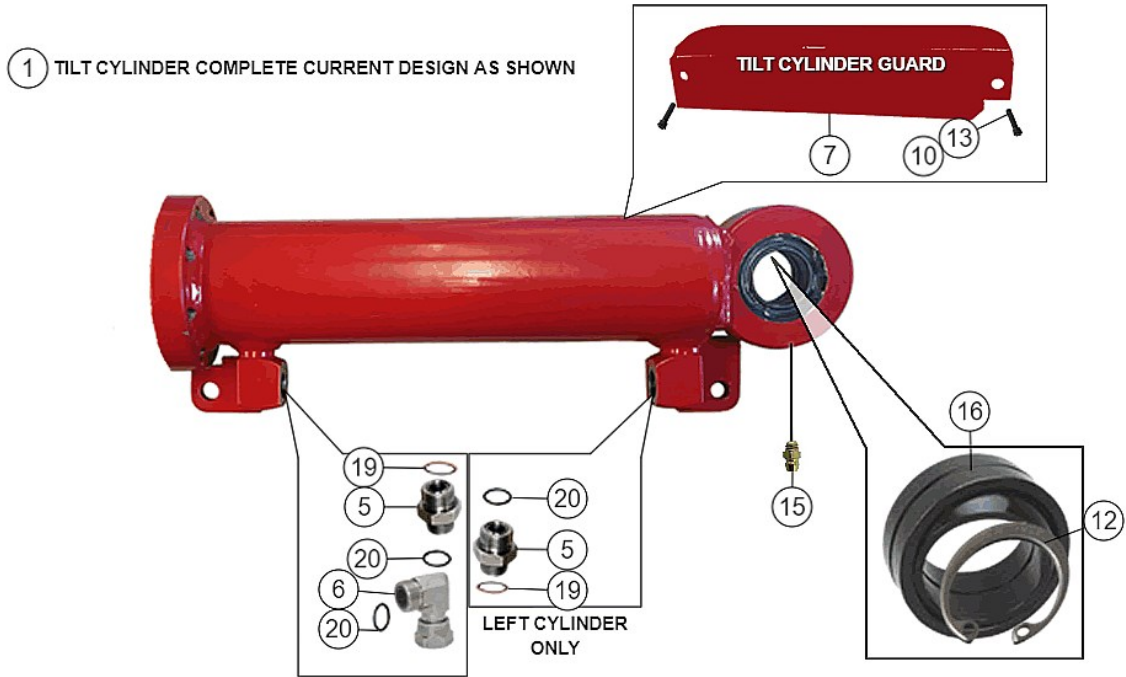
*All manufacturers names, numbers, marks, trademarks and symbols and descriptions are used for reference purposes only. Use of parts not supplied from the original manufacturer on machines under manufacturer warranty could potentially void your manufacturer warranty. Machined parts are built by Axis, not the original manufacturer.

Axis Delimb Arm Cylinder

No.	Axis Part No	Qty	Description	Notes
1	CW115101	1	CYLINDER ASSEMBLY	
2	CW515501	1	CYLINDER PISTON	
3	CW415401	1	CYLINDER GLAND	
4	CW315295	1	CYLINDER ROD	
5	GFB82055	1	BOLT - M20 X 55MM SOCKET HEAD	
6	GFB81030	8	BOLT - M10 X 30MM SOCKET HEAD	
7	GFW5375	8	ANTI-VIBRATION LOCKWASHER 3/8" (M10)	
8	BW874465	2	BRONZE BUSHING - 1.75" PINS	
9	HF4060-8-8	2	FITTIN - #8 BSP MALE X #8 ORFS MALE	
10	BSP8	2	BSPP BONDED SEAL - #8 (1/2")	
11	R24323C	2	O RING - #8 ORFS	
12	SK400904	1	SEAL KIT - 3" CYLINDER WITH 2" ROD	
13	SK400704	1	SEAL KIT - 3" CYLINDER WITH 1.75" ROD	
14	SK400504	1	SEAL KIT - 3" CYLINDER	

*All manufacturers names, numbers, marks, trademarks and symbols and descriptions are used for reference purposes only. Use of parts not supplied from the original manufacturer on machines under manufacturer warranty could potentially void your manufacturer warranty. Machined parts are built by Axis, not the original manufacturer.

Axis Tilt Cylinder



IS YOUR CYLINDER CURRENT DESIGN OR OLD DESIGN? HOW TO CHECK:

- OLD DESIGN HAS HEX BOLTS TO RETAIN THE GLAND CAP
- OLD DESIGN HAS A NUT TO RETAIN THE PISTON
- CURRENT DESIGN HAS ALLEN HEAD BOLTS TO RETAIN THE GLAND CAP
- CURRENT DESIGN HAS ALLEN HEAD BOLT TO RETAIN THE PISTON

*All manufacturers names, numbers, marks, trademarks and symbols and descriptions are used for reference purposes only. Use of parts not supplied from the original manufacturer on machines under manufacturer warranty could potentially void your manufacturer warranty. Machined parts are built by Axis, not the original manufacturer.

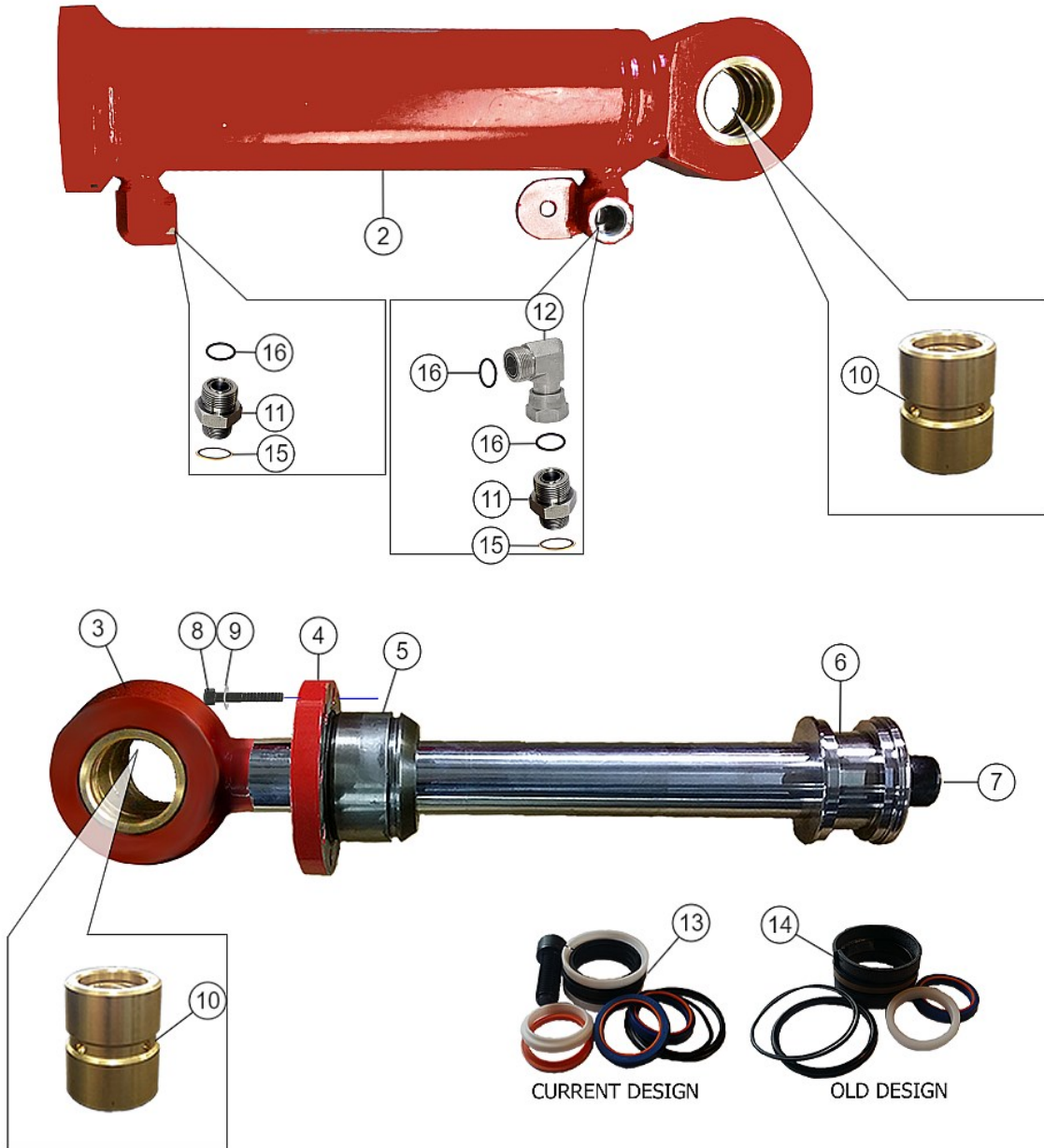
Axis Tilt Cylinder

No.	Axis Part No	Qty	Description	Notes
1	CW125101	1	TILT CYLINDER ASSEMBLY, 624	
2	CW415400	1	CYLINDER GLAND - 3" NEW STYLE	
3	CW325301	1	TILT CYLINDER ROD	
4	CW515500	1	CYLINDER PISTON - 3" NEW STYLE	
5	HF4060-8-8	2	FITTING - #8 BSP MALE X #8 ORFS MALE	
6	HF4969-8-8	1	FITTING - #8 BSPP MALE X #8 ORFS MALE 90 DEGREE	
7	GC624118	1	GUARD	
8	GFB81030	8	BOLT - M10 X 30MM SOCKET HEAD	
9	GFB82050	1	BOLT - M20 X 50MM, SOCKET HEAD	
10	GFB1500150	2	BOLT - 1/2" X 1.25" UNC HEX	
12	GFS592	2	SNAP RING - 3" CYLINDERS	
13	GFW1500	2	WASHER - 1/2" HARDENED	
14	GFW5375	8	ANTI-VIBRATION LOCKWASHER 3/8" (M10)	
15	GFZ14P	2	GREASE FITTING 1/4-28	
16	SBB24-2RS/Z	2	SPHERICAL BUSHING	
17	SK400704	1	SEAL KIT - 3" CYLINDER WITH 1.75" ROD	
18	SK400504	1	SEAL KIT - 3" CYLINDER	
19	BSP8	3	BSPP BONDED SEAL - #8 (1/2")	
20	R24323C	1	O-RING - #8 ORFS	

*All manufacturers names, numbers, marks, trademarks and symbols and descriptions are used for reference purposes only. Use of parts not supplied from the original manufacturer on machines under manufacturer warranty could potentially void your manufacturer warranty. Machined parts are built by Axis, not the original manufacturer.

Axis Feed Arm Cylinder

① FEED CYLINDER COMPLETE CURRENT DESIGN AS SHOWN



IS YOUR CYLINDER CURRENT DESIGN OR OLD DESIGN? HOW TO CHECK:

- *OLD DESIGN HAS HEX BOLTS TO RETAIN THE GLAND CAP
- *OLD DESIGN HAS A NUT TO RETAIN THE PISTON
- *CURRENT DESIGN HAS ALLEN HEAD BOLTS TO RETAIN THE GLAND CAP
- *CURRENT DESIGN HAS ALLEN HEAD BOLT TO RETAIN THE PISTON

*All manufacturers names, numbers, marks, trademarks and symbols and descriptions are used for reference purposes only. Use of parts not supplied from the original manufacturer on machines under manufacturer warranty could potentially void your manufacturer warranty. Machined parts are built by Axis, not the original manufacturer.

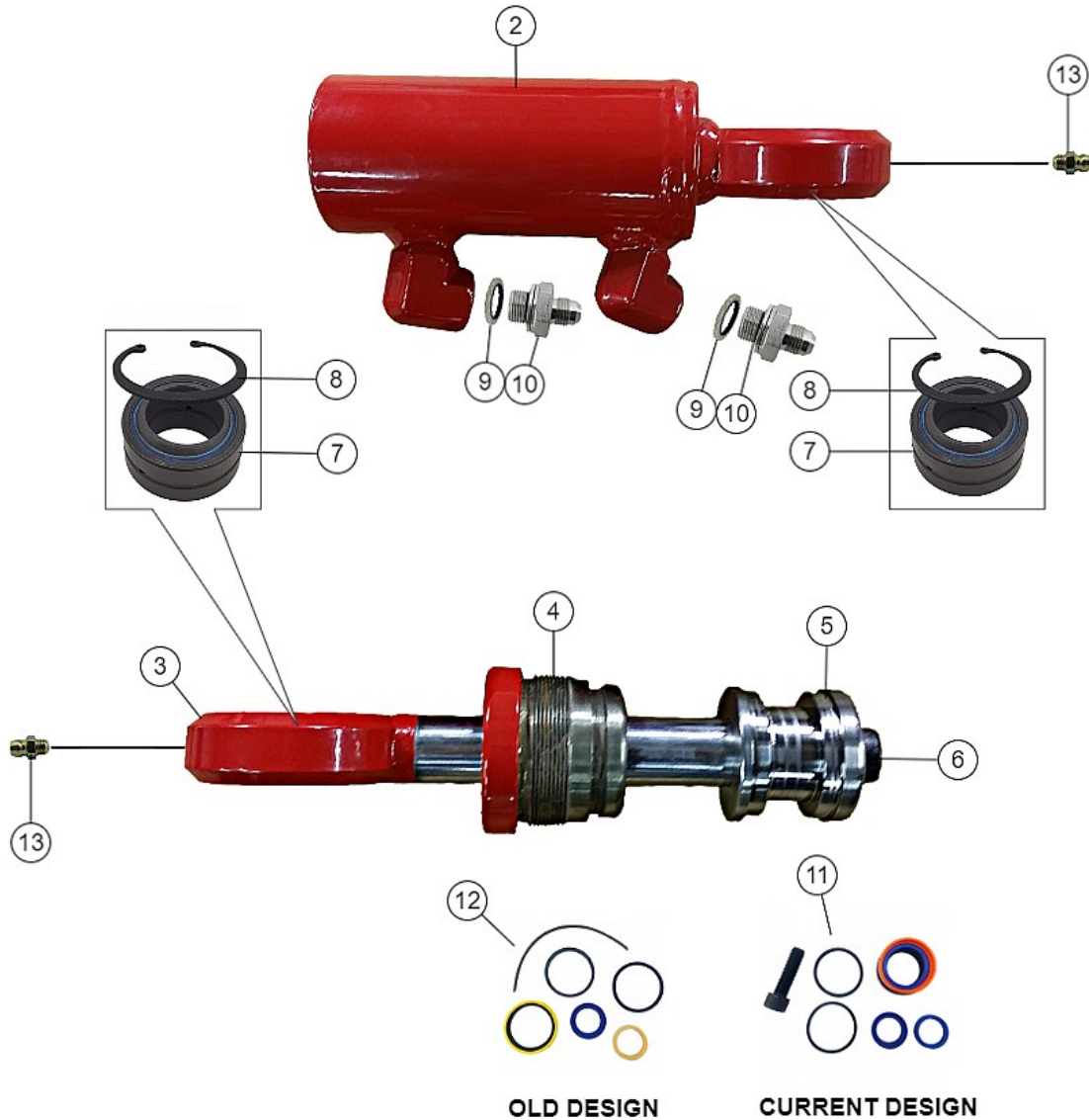
Axis Feed Arm Cylinder

No.	Axis Part No	Qty	Description	Notes
1	CW120101	1	CYLINDER ASSY FEED	
2	CW220201	1	FEED CYLINDER BARREL	
3	CW320301	1	FEED CYLINDER ROD	
4	CW615600	1	CYLINDER CAP - 3" NEW STYLE	
5	CW415400	1	CYLINDER GLAND - 3" NEW STYLE	
6	CW515500	1	CYLINDER PISTON - 3" NEW STYLE	
7	GFB82055	1	BOLT - M20 X 55MM SOCKET HEAD	
8	GFB81030	8	BOLT - M10 X 30MM SOCKET HEAD	
9	GFW5375	8	ANTI-VIBRATION LOCKWASHER 3/8" (M10)	
10	BW874465	2	BRONZE BUSHING - 1.75" PINS	
11	HF4060-8-8	2	FITTING - #8 BSP MALE X #8 ORFS MALE	
12	BSP8	2	BSPP BONDED SEAL - #8 (1/2")	
13	R24323C	3	O RING - #8 ORFS	
14	HF7969-8-8	1	FITTING, #8 ORFS MALE X #8 ORFS FEMALE 90 DEG	
15	SK400704	1	SEAL KIT - 3" CYLINDER WITH 1.75" ROD	
16	SK400504	1	SEAL KIT - 3" CYLINDER	

*All manufacturers names, numbers, marks, trademarks and symbols and descriptions are used for reference purposes only. Use of parts not supplied from the original manufacturer on machines under manufacturer warranty could potentially void your manufacturer warranty. Machined parts are built by Axis, not the original manufacturer.

Measuring Arm Cylinder

① MEASURING ARM CYLINDER COMPLETE CURRENT DESIGN AS SHOWN



IS YOUR CYLINDER A CURRENT DESIGN OR OLD DESIGN? HOW TO CHECK:

- OLD DESIGN HAS A NUT TO RETAIN THE PISTON
- CURRENT DESIGN HAS AN ALLEN HEAD BOLT TO RETAIN THE PISTON

*All manufacturers names, numbers, marks, trademarks and symbols and descriptions are used for reference purposes only. Use of parts not supplied from the original manufacturer on machines under manufacturer warranty could potentially void your manufacturer warranty. Machined parts are built by Axis, not the original manufacturer.

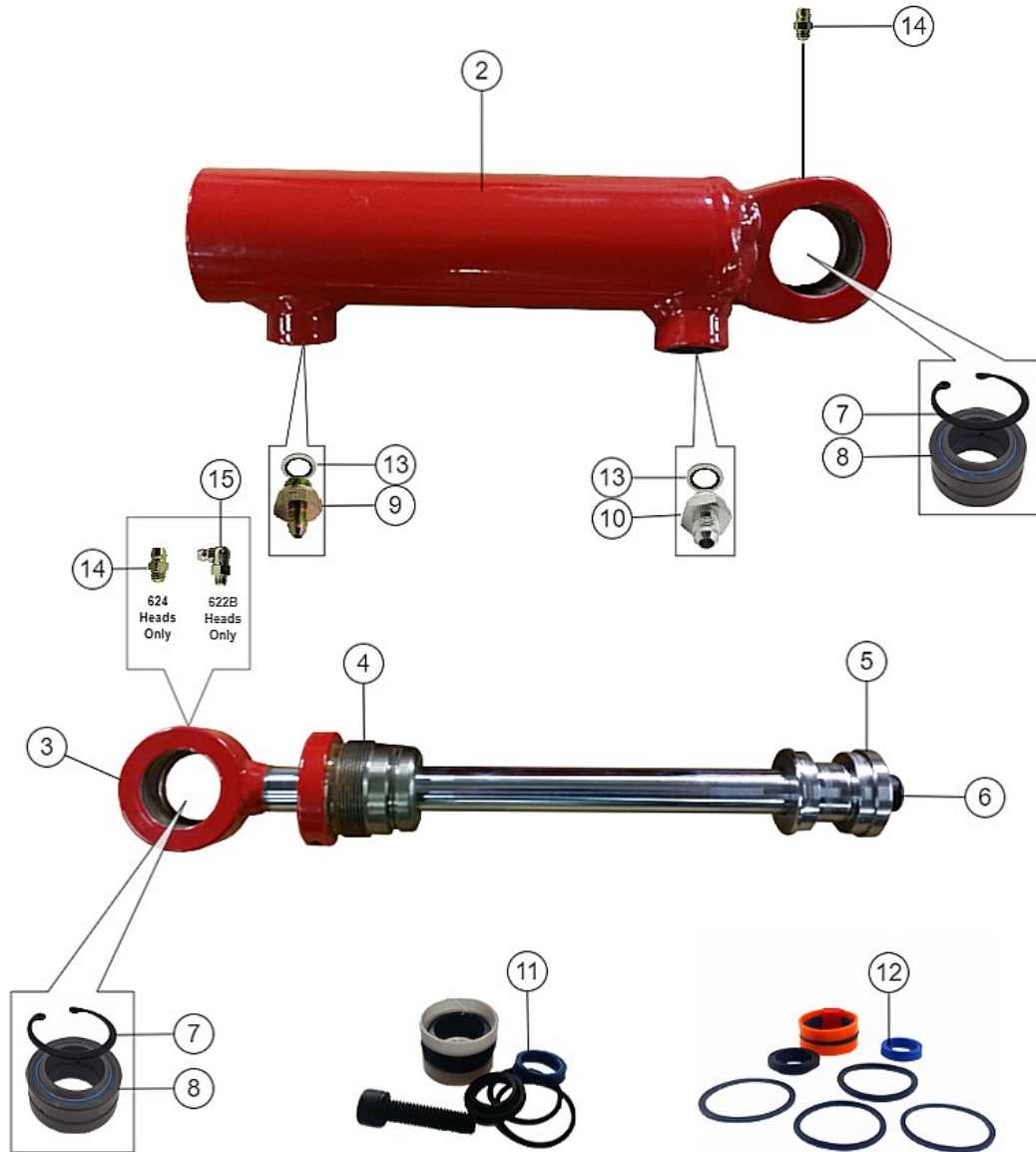
Measuring Arm Cylinder

No.	Axis Part No	Qty	Description	Notes
1	CW110100	1	CYLINDER ASSEMBLY	
2	CW210200	1	MEASURING CYLINDER BARREL	
3	CW310300	1	CYLINDER ROD	
4	CW410400	1	CYLINDER GLAND	
5	CW510500	1	CYLINDER PISTON	
6	GFB81450	1	BOLT - M14 X 50MM SOCKET HEAD	
7	SBB16-2RS/Z	2	SPHERICAL BUSHING	
8	GFS561	2	SNAP RING	
9	BSP6	1	BSP BONDED SEAL #6	
10	HF2040-6-6	2	FITTING - #6 JIC MALE X #6 BSPP MALE	
11	SK320702	1	SEAL KIT	
12	SK320503	1	SEAL KIT	
13	GFZ14P	2	GREASE FITTING	

*All manufacturers names, numbers, marks, trademarks and symbols and descriptions are used for reference purposes only. Use of parts not supplied from the original manufacturer on machines under manufacturer warranty could potentially void your manufacturer warranty. Machined parts are built by Axis, not the original manufacturer.

Top Saw Cylinder

① TOP SAW CYLINDER COMPLETE CURRENT DESIGN AS SHOWN



CURRENT DESIGN

OLD DESIGN



IS YOUR CYLINDER A CURRENT DESIGN OR OLD DESIGN? HOW TO CHECK:

- OLD DESIGN HAS A NUT TO RETAIN THE PISTON
- CURRENT DESIGN HAS AN ALLEN HEAD BOLT TO RETAIN THE PISTON

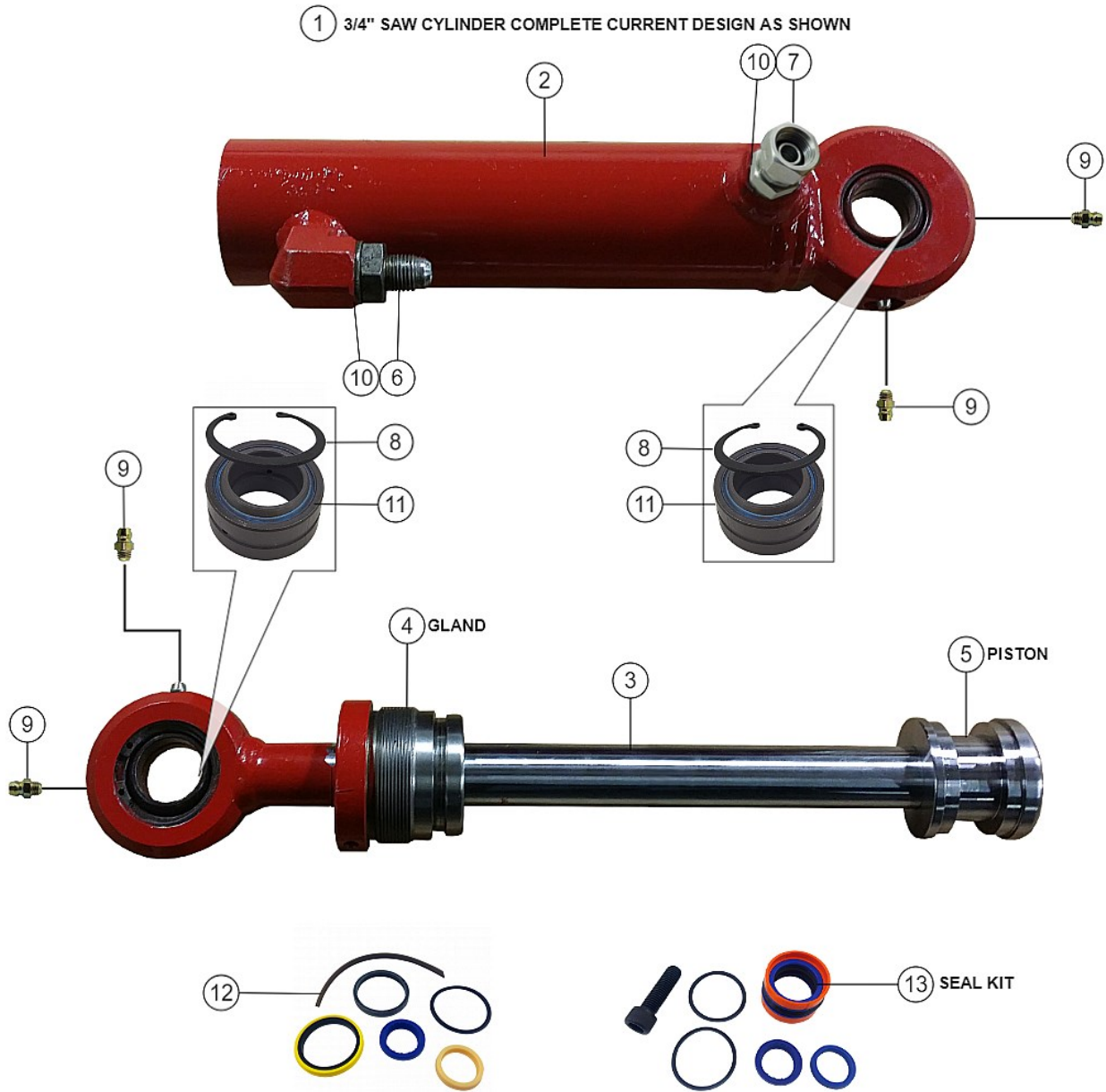
*All manufacturers names, numbers, marks, trademarks and symbols and descriptions are used for reference purposes only. Use of parts not supplied from the original manufacturer on machines under manufacturer warranty could potentially void your manufacturer warranty. Machined parts are built by Axis, not the original manufacturer.

Top Saw Cylinder

No.	Axis Part No	Qty	Description	Notes
1	CW105100	1	CYLINDER ASSEMBLY	
2	CW205200	1	CYLINDER BARREL	
3	CW305300	1	CYLINDER ROD	
4	CW405400	1	CYLINDER GLAND	
5	CW505500	1	CYLINDER PISTON	
6	GFB91040	1	BOLT - M10 X 40MM SOCKET HEAD	
7	GFS551	2	SNAP RING	
8	SBB12-2RS/Z	2	SPHERICAL BUSHING	
9	HF2040-4-6	1	FITTING - #4 JIC MALE X #6 BSPP MALE	
10	HF2040-6-6	1	FITTING - #6 JIC MALE X #6 BSPP MALE	
11	SK240701	1	SEAL KIT	
12	SK240502	1	SEAL KIT	
13	BSP6	2	BSP BONDED SEAL #6	
14	GFZ14P	1	GREASE FITTING	
15	GFZ14P90	1	GREASE FITTING 90°	

*All manufacturers names, numbers, marks, trademarks and symbols and descriptions are used for reference purposes only. Use of parts not supplied from the original manufacturer on machines under manufacturer warranty could potentially void your manufacturer warranty. Machined parts are built by Axis, not the original manufacturer.

3/4" Saw Cylinder



IS YOUR CYLINDER A CURRENT DESIGN OR OLD DESIGN? HOW TO CHECK:

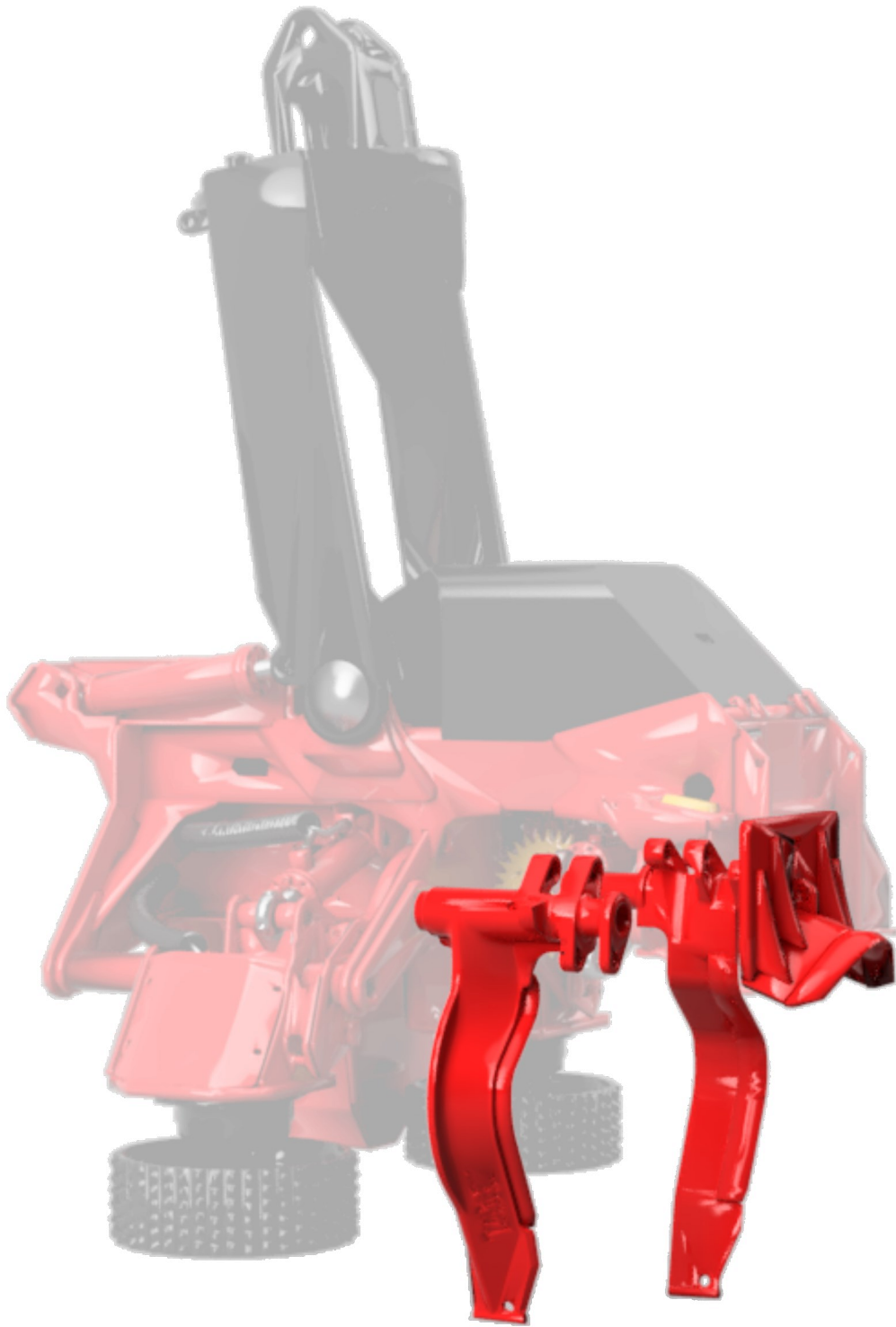
- OLD DESIGN HAS A NUT TO RETAIN THE PISTON
- CURRENT DESIGN HAS AN ALLEN HEAD BOLT TO RETAIN THE PISTON

*All manufacturers names, numbers, marks, trademarks and symbols and descriptions are used for reference purposes only. Use of parts not supplied from the original manufacturer on machines under manufacturer warranty could potentially void your manufacturer warranty. Machined parts are built by Axis, not the original manufacturer.

3/4" Saw Cylinder

No.	Axis Part No	Qty	Description	Notes
1	CW130100	1	CYLINDER ASSY	
2	CW235200	1	CYLINDER BARREL	
3	CW335300	1	CYLINDER ROD	
4	CW410400	1	CYLINDER GLAND	
5	CW510500	1	CYLINDER PISTON	
6	HF2040-6-6	1	FITTING #6	
7	HF4050-6-6	1	FITTING - STRAIGHT 3/8" BSP MALE x 3/8" FEMALE	SWIVELLING
8	GFS561	2	SNAP RING	
9	GFZ149	2	GREASE FITTING	
10	BSP6	1	BSP BONDED SEAL #6	
11	SBB16-2RS/Z	2	SPHERICAL BUSHING	
12	SK320503	1	SEAL KIT	OLD STYLE
13	SK320702	1	SEAL KIT	NEW STYLE

*All manufacturers names, numbers, marks, trademarks and symbols and descriptions are used for reference purposes only. Use of parts not supplied from the original manufacturer on machines under manufacturer warranty could potentially void your manufacturer warranty. Machined parts are built by Axis, not the original manufacturer.



DELIMBING GROUP

Axis Front Knife



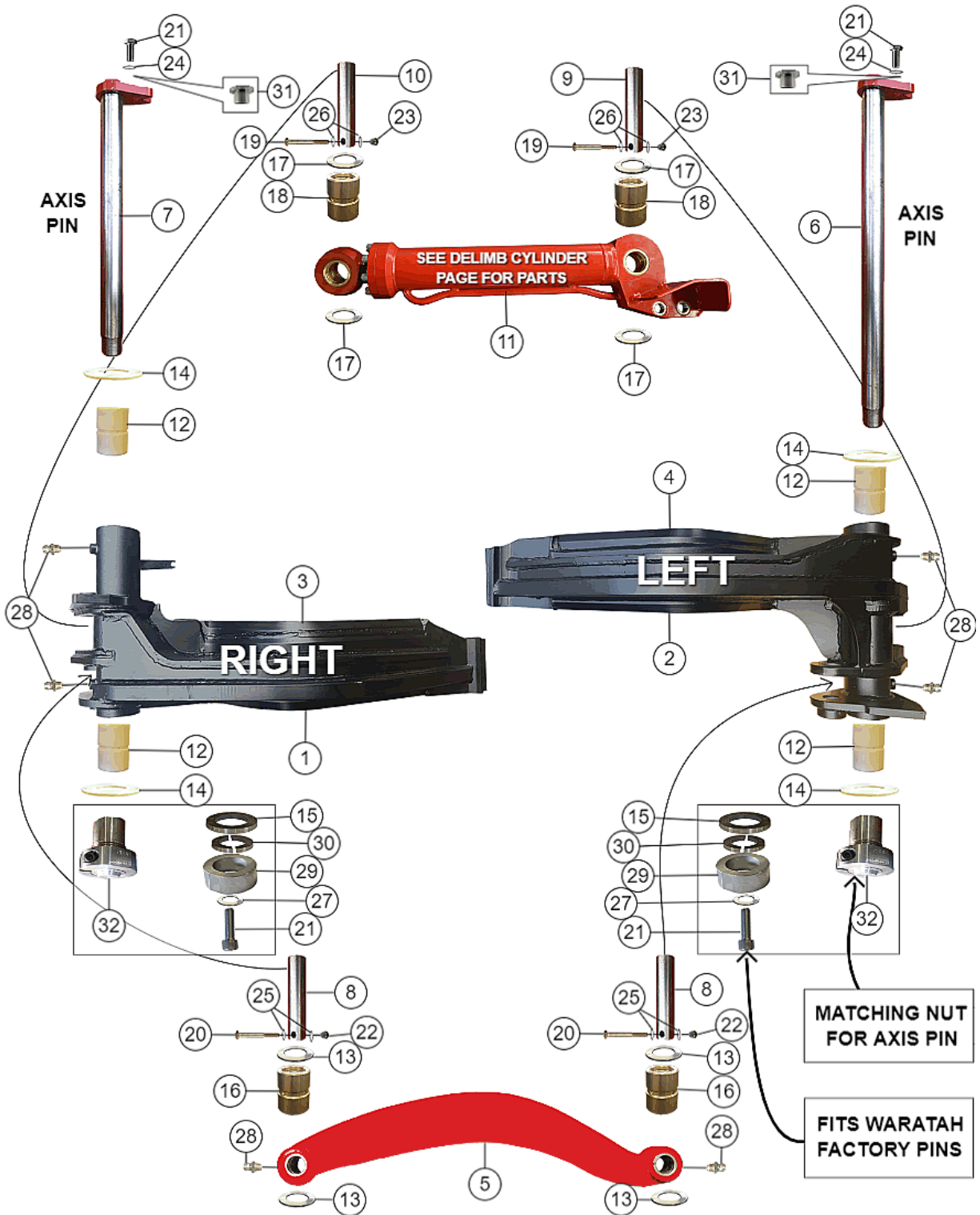
*All manufacturers names, numbers, marks, trademarks and symbols and descriptions are used for reference purposes only. Use of parts not supplied from the original manufacturer on machines under manufacturer warranty could potentially void your manufacturer warranty. Machined parts are built by Axis, not the original manufacturer.

Axis Front Knife

No.	Axis Part No	Qty	Description	Notes
1	GFB1625175	6	BOLT - HEX 5/8" X 1.75" UNC HEX HEAD	
2	GFW5625	6	ANTIVIBRATION LOCKWASHER 5/8" (M16)	
3	MK226410	2	KNIFE GUIDE	
4	MK226004	1	REPLACEMENT FRONT KNIFE EDGE	

*All manufacturers names, numbers, marks, trademarks and symbols and descriptions are used for reference purposes only. Use of parts not supplied from the original manufacturer on machines under manufacturer warranty could potentially void your manufacturer warranty. Machined parts are built by Axis, not the original manufacturer.

Axis Delimb Arms



*All manufacturers names, numbers, marks, trademarks and symbols and descriptions are used for reference purposes only. Use of parts not supplied from the original manufacturer on machines under manufacturer warranty could potentially void your manufacturer warranty. Machined parts are built by Axis, not the original manufacturer.

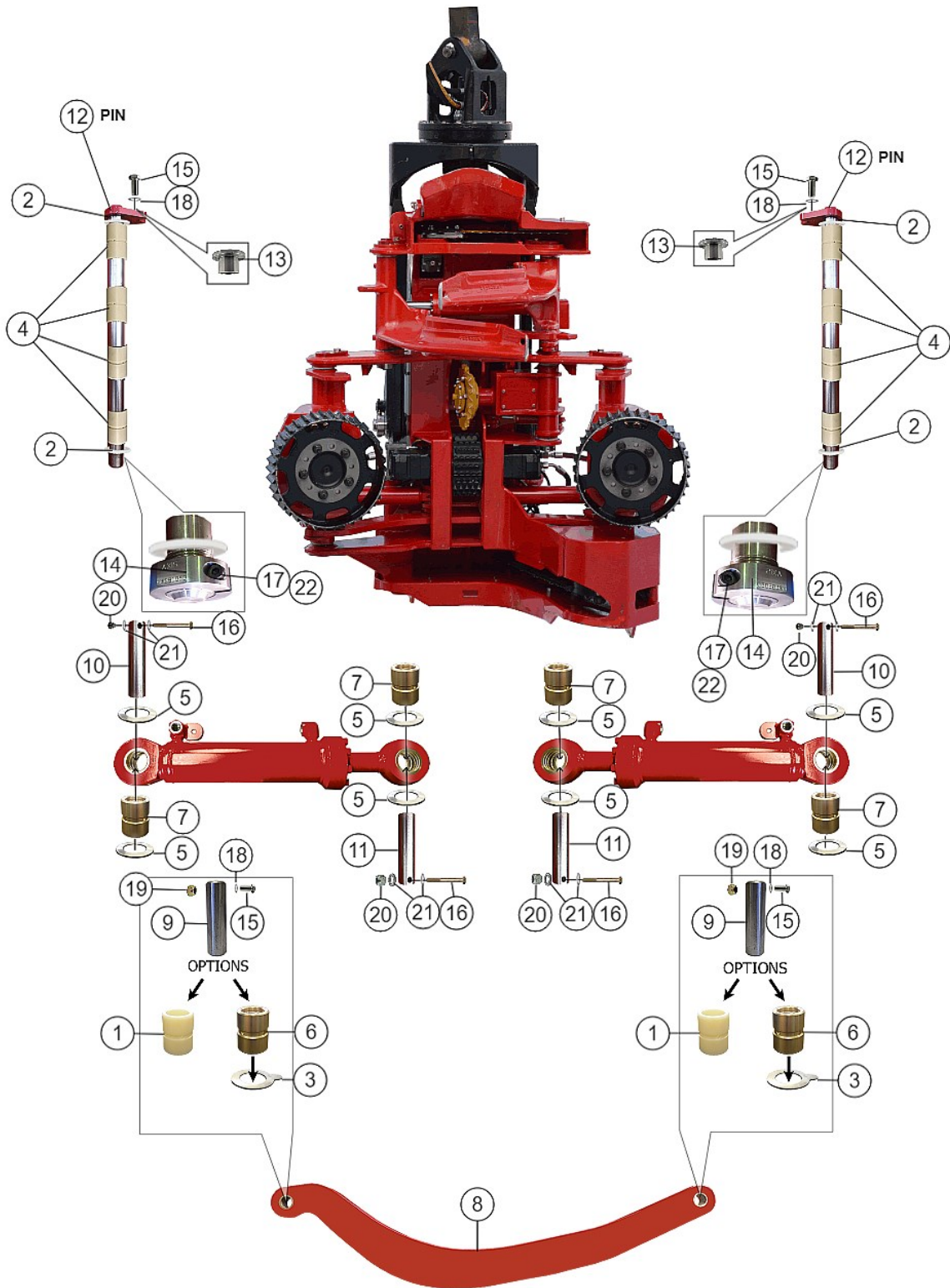
Axis Delimb Arms

No.	Axis Part No	Qty	Description	Notes
1	DA624R	1	DELIMB ARM ASSY RIGHT	
2	DA624L	1	DELIMB ARM ASSY LEFT	
3	MK225406	1	KNIFE EDGE RIGHT - HARDENED STEEL	
4	MK225405	1	KNIFE EDGE LEFT - HARDENED STEEL	
5	DL450039	1	DELIMB LINK	
6	PN3631022	1	PIN - 624 LH DELIMB & DRIVE ARM	
7	PN3630642	1	PIN - 624 DELIMB ARM RH	SN 115 ABOVE
8	PN240137	1	PIN - 624 DELIMB AND FEED LINK	
9	PN280235	1	DELIMB CYL BARREL END	
10	PN280165	1	PIN - FEED CYL INNER	
11	CW115101	1	CYLINDER ASSEMBLY	
12	BW7057101	4	NYLON BUSHING	
13	BW643802C	8	STEEL WASHER	
14	BW5710010	4	NYLON SPACER	
15	BW805755	1	SPACER - MAIN PIN 5.5 MM THICK	
16	BW813850	2	BRONZE BUSHING	
17	BW754445	2	SPACER	
18	BW874465	1	BRONZE BUSHING - 1.75" PINS	
19	GFB1375325	2	BOLT - 3/8" X 3.25" UNC HEX	
20	GFB1312250	2	BOLT - 5/16" X 2.50" UNC HEX	
21	GFB1750200	4	BOLT - 3/4" X 2" UNC HEX HEAD	
22	GFN4312	4	NUT - NYLOCK 5/16" UNC	
23	GFN4375	1	NUT - 3/8" NYLOCK UNC	
24	GFW1750	4	WASHER - 3/4" HARDENED	
25	GFW5312	8	ANTI-VIBRATION LOCKWASHER 5/16 (M8)	
26	GFW5375	1	ANTI-VIBRATION LOCKWASHER 3/8" (M10)	
27	GFW5750	1	ANTI-VIBRATION LOCKWASHER 3/4" (M8-20)	
28	GFZ14P	6	GREASE FITTING 1/4-28	
29	MR401393	2	RETAINER	
30	MR401394	2	SPLIT RING	
31	MR242577	1	PIN RETAINER	
32	MR363048	2	SPLIT LOCK NUT 48MM	

*All manufacturers names, numbers, marks, trademarks and symbols and descriptions are used for reference purposes only. Use of parts not supplied from the original manufacturer on machines under manufacturer warranty could potentially void your manufacturer warranty. Machined parts are built by Axis, not the original manufacturer.



Feed Arm Section



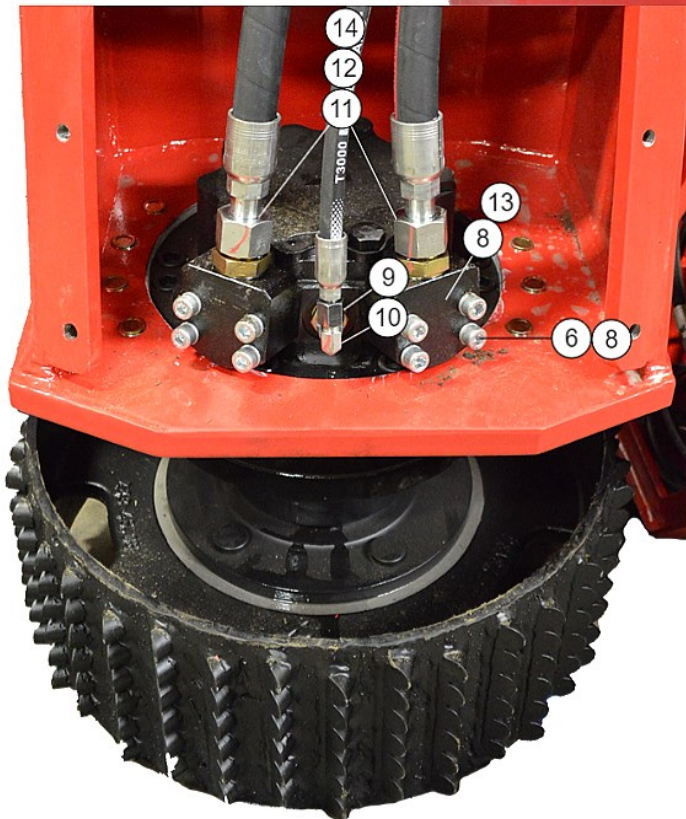
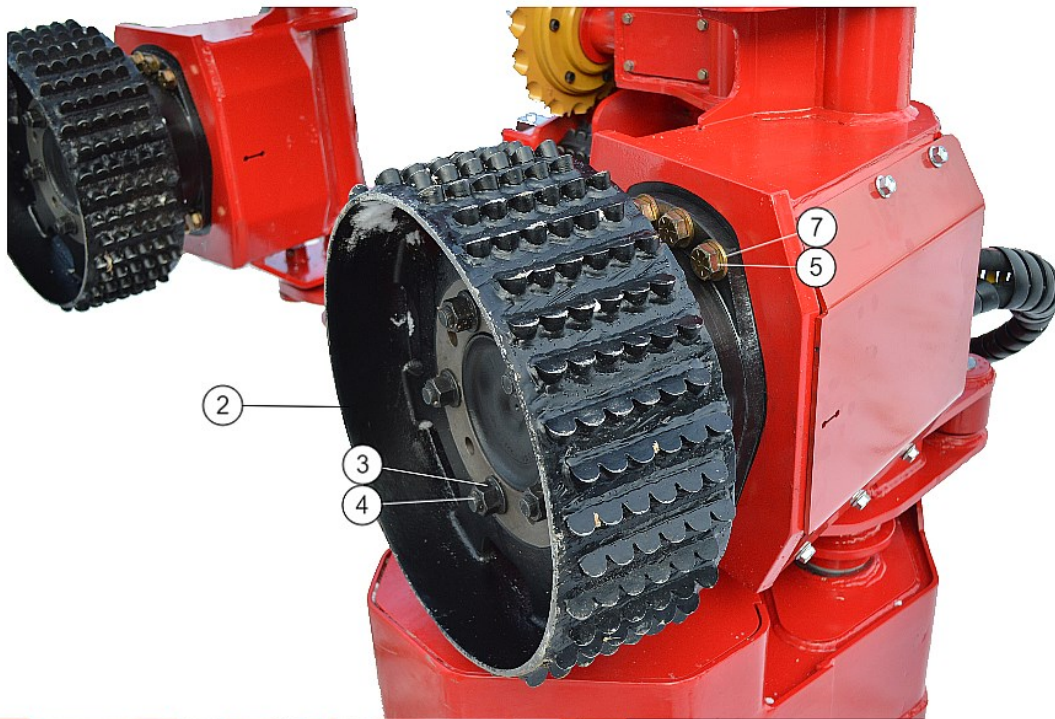
*All manufacturers names, numbers, marks, trademarks and symbols and descriptions are used for reference purposes only. Use of parts not supplied from the original manufacturer on machines under manufacturer warranty could potentially void your manufacturer warranty. Machined parts are built by Axis, not the original manufacturer.

Feed Arm Section

No.	Axis Part No	Qty	Description	Notes
1	BW513850	2	NYLON BUSHING	48 MM THREADED END
2	BW578510	2	NYLON SPACER FEED ARMS	
3	BW643802C	2	STEEL WASHER	
4	BW7057101	8	NYLON BUSHING	
5	BW754445	8	SPACER, DELIMB & FEED CYLINDER	
6	BW813850	2	BRONZE BUSHING	
7	BW874465	4	BRONZE BUSHING - 1.75" PINS	
8	DL450040	1	DRIVE ARM LINK	
9	PN240137	2	PIN	
10	PN280140	2	PIN FEED CYL, BARREL END, INNER	
11	PN280165	2	PIN	
12	PN3631022	1	PIN - 624 LH DELIMB & DRIVE ARM	
13	MR242577	1	PIN RETAINER	
14	MR363048	2	SPLIT LOCK NUT, 48MM	
15	GFB1750200	4	BOLT - 3/4" X 2" UNC HEX HEAD	
16	GFB1375325	4	BOLT - 3/8" X 3.25" UNC HEX	
17	GFB80830	2	BOLT - M8 X 30MM SOCKET HEAD	
18	GFW1750	4	WASHER - 3/4" HARDENED	
19	GFN4750	2	NYLOC NUT - 3/4 NC	
20	GFN4375	2	NUT - 3/8" NYLOCK UNC	
21	GFW5375	6	ANTI-VIBRATION LOCKWASHER 3/8" (M10)	
22	GFW5312	2	ANTI-VIBRATION LOCKWASHER 5/16 (M8)	

*All manufacturers names, numbers, marks, trademarks and symbols and descriptions are used for reference purposes only. Use of parts not supplied from the original manufacturer on machines under manufacturer warranty could potentially void your manufacturer warranty. Machined parts are built by Axis, not the original manufacturer.

Axis Feed Arm Wheels & Motors



① OUTSIDE FEED MOTOR

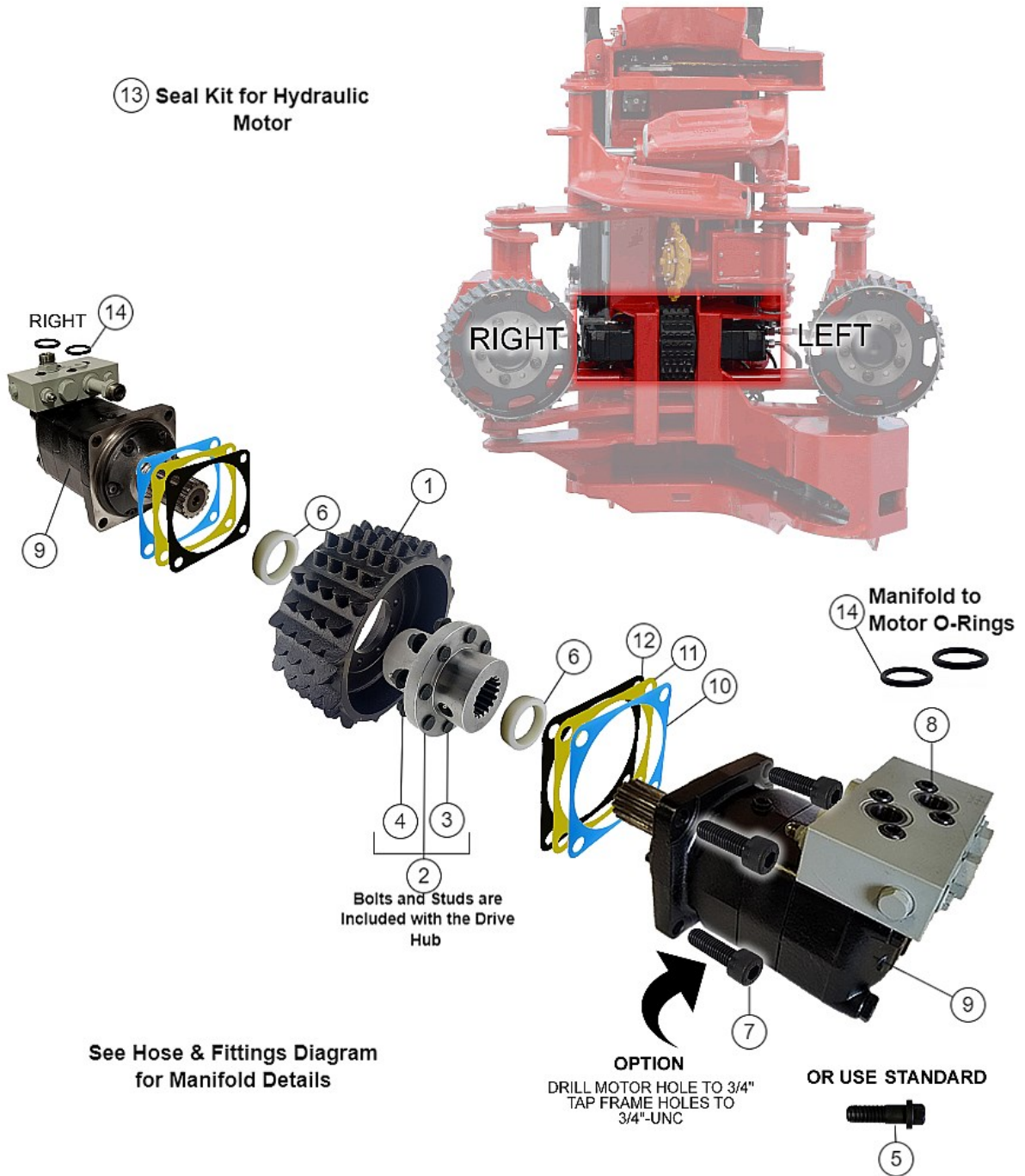
*All manufacturers names, numbers, marks, trademarks and symbols and descriptions are used for reference purposes only. Use of parts not supplied from the original manufacturer on machines under manufacturer warranty could potentially void your manufacturer warranty. Machined parts are built by Axis, not the original manufacturer.

Axis Feed Arm Wheels & Motors

No.	Axis Part No	Qty	Description	Notes
1	MT515800	1	MOTOR OUTSIDE FEED	
2	DW750190	2	OUTER FEED WHEEL THUMBNAIL	
3	DW750121	12	WHEEL NUT	
4	DW750122	12	WHEEL STUD	
5	GFB2875200	12	BOLT 7/8" X 2 UNF HEX HEAD	
6	GFB81070	8	BOLT - M10 X 70MM SOCKET HEAD	
7	GFW1875	12	WASHER - 7/8" HARDENED	
8	GFW5375	8	ANTI-VIBRATION LOCKWASHER 3/8" (M10)	
9	HF2091-6-18	1	FITTING - #6 JIC MALE X M18 X 1.5 MALE	
10	HF2939-6-6	1	FITTING - #6 JIC MALE X #6 JIC FEMALE 90 DEGREE	
11	HF4060-12-12	2	FITTING - #12 BSPP MALE X #12 ORFS MALE	
12	BSP12	2	BSPP BONDED SEAL #12	
13	R24523C	4	O-RING	
14	R24327C	2	O-RING - #12 ORFS	

*All manufacturers names, numbers, marks, trademarks and symbols and descriptions are used for reference purposes only. Use of parts not supplied from the original manufacturer on machines under manufacturer warranty could potentially void your manufacturer warranty. Machined parts are built by Axis, not the original manufacturer.

Axis Fixed Feed Motors



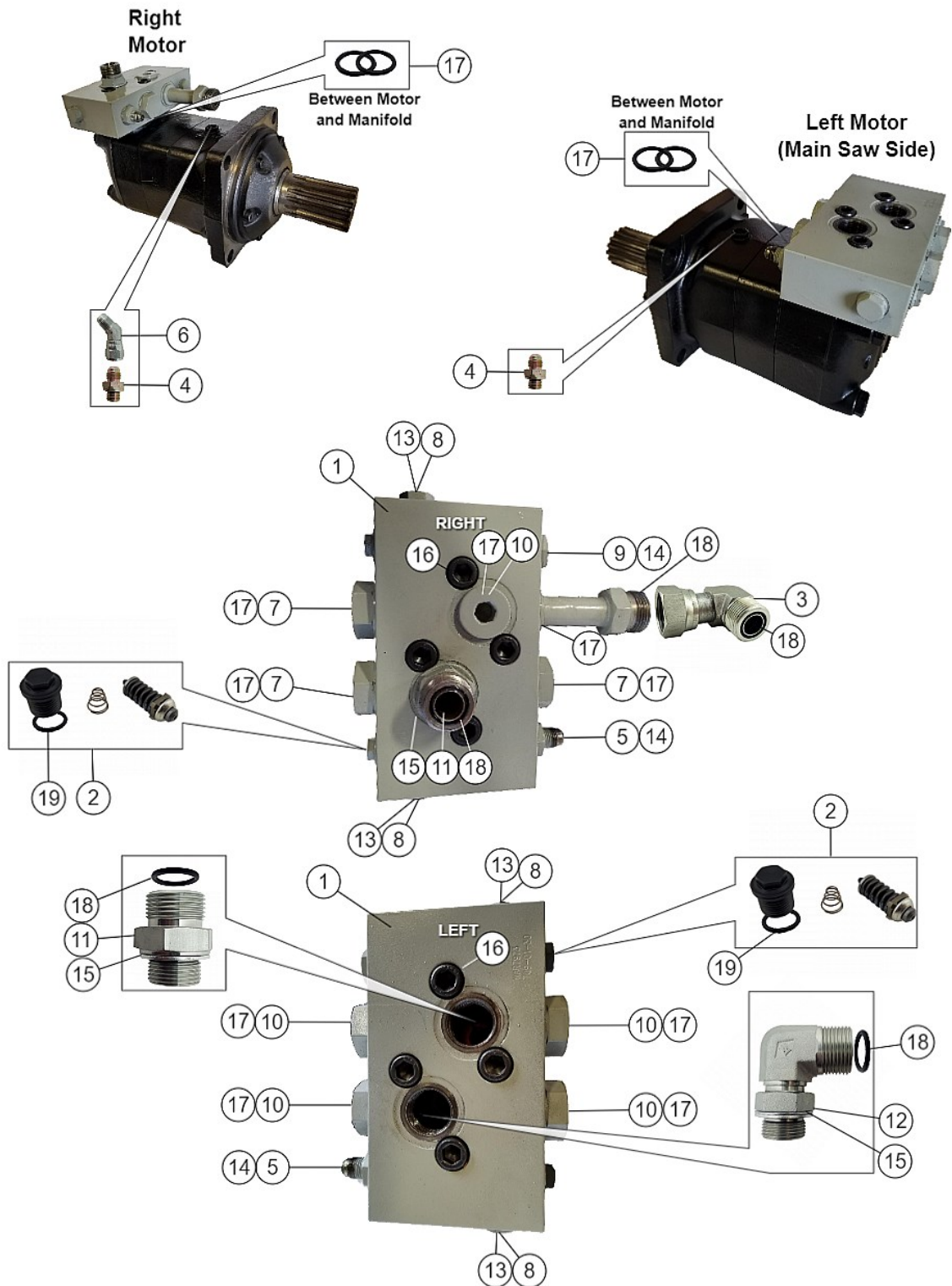
*All manufacturers names, numbers, marks, trademarks and symbols and descriptions are used for reference purposes only. Use of parts not supplied from the original manufacturer on machines under manufacturer warranty could potentially void your manufacturer warranty. Machined parts are built by Axis, not the original manufacturer.

Axis Fixed Feed Motors

No.	Axis Part No	Qty	Description	Notes
1	DW750175	1	FIXED CENTRE WHEEL	
2	DW750126	1	FIXED DRIVE HUB W/STUDS & NUTS	
3	DW750124	8	WHEEL STUD - CENTRE WHEEL HUB	
4	DW750123	8	FIXED HUB NUT	
5	DW750119	8	BOLT - FIXED DRIVE MOTOR TO FRAME	
6	BW547721	2	SPACER - CENTRE DRIVE MOTOR	
7	GFB3750200	8	BOLT - 3/4 X 2" UNC SOCKET HEAD	
8	GFB81250	8	BOLT - M12 X 50MM SOCKET HEAD	
9	MT525624	2	HYDRAULIC MOTOR	
10	MT525624-A	2	SHIM 0.005"	
11	MT525624-C	2	SHIM 0.020"	
12	MT525624-B	2	SHIM 0.010"	
13	SK525624	1	SEAL KIT	
14	R24434C	4	O-RING	

*All manufacturers names, numbers, marks, trademarks and symbols and descriptions are used for reference purposes only. Use of parts not supplied from the original manufacturer on machines under manufacturer warranty could potentially void your manufacturer warranty. Machined parts are built by Axis, not the original manufacturer.

Fixed Motor Manifolds

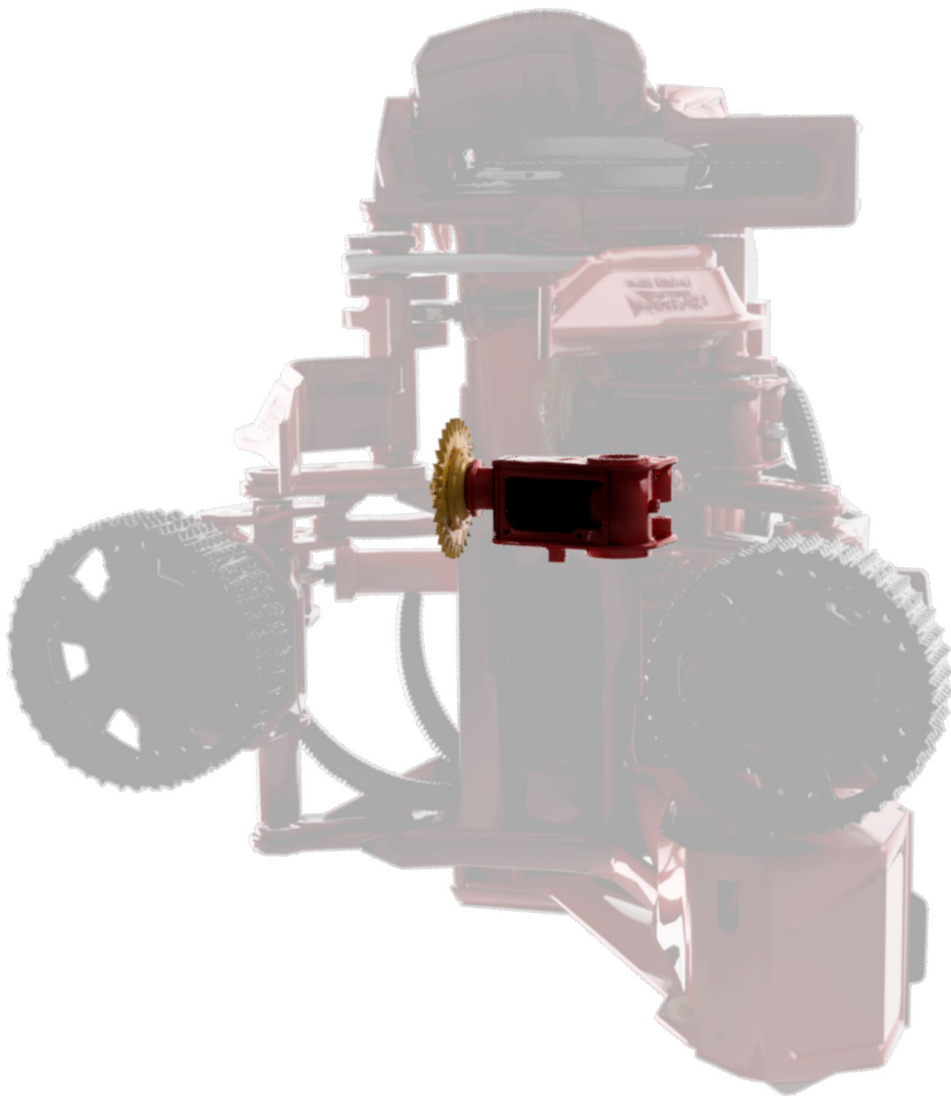


*All manufacturers names, numbers, marks, trademarks and symbols and descriptions are used for reference purposes only. Use of parts not supplied from the original manufacturer on machines under manufacturer warranty could potentially void your manufacturer warranty. Machined parts are built by Axis, not the original manufacturer.

Fixed Motor Manifolds

No.	Axis Part No	Qty	Description	Notes
1	HV228104	2	MANIFOLD - CENTRE FEED MOTOR	
2	HV292265	2	SHOCK VALVE- 265 BAR	
3	HF7969-12-12	1	FITTING - #12 ORFS M X #12 ORFS FEMALE 90 DEG	
4	HF2040-6-4	2	FITTING - #6 JIC MALE X #4 BSPP MALE	
5	HF2040-6-6	2	FITTING - #6 JIC MALE X #6 BSPP MALE	
6	HF2535-6-6	1	FITTING - #6 JIC MALE X #6 JIC FEMALE 45 DEG ELBOW	
7	HF40-12	3	FITTING - HEX PLUG #12 BSP	
8	HF40-4	4	PLUG - #4 BSPP HEX HEAD	
9	HF40-6	1	#6 BSP PLUG	
10	HF41-12	5	BSP PLUG - ROUND HEAD, INTERNAL HEX KEY #12	
11	HF4060-12-12	1	FITTING - #12 BSPP MALE X #12 ORFS MALE FITTING - #12 MALE ORFS X #12 MALE BSPP	
12	HF4969-12-12	1	ADJUSTABLE ELBOW 90 DEG.	
13	BSP4	4	BSPP BONDED SEAL #4	
14	BSP6	3	BSP BONDED SEAL #6	
15	BSP12	10	BSPP BONDED SEAL #12	
16	GF881250	8	BOLT - M12 X 50MM SOCKET HEAD	
17	R24434C	4	O-RING	
18	R24327C	5	O-RING	
19	T235395C	2	O RING - SHOCK VALVE CAPS	

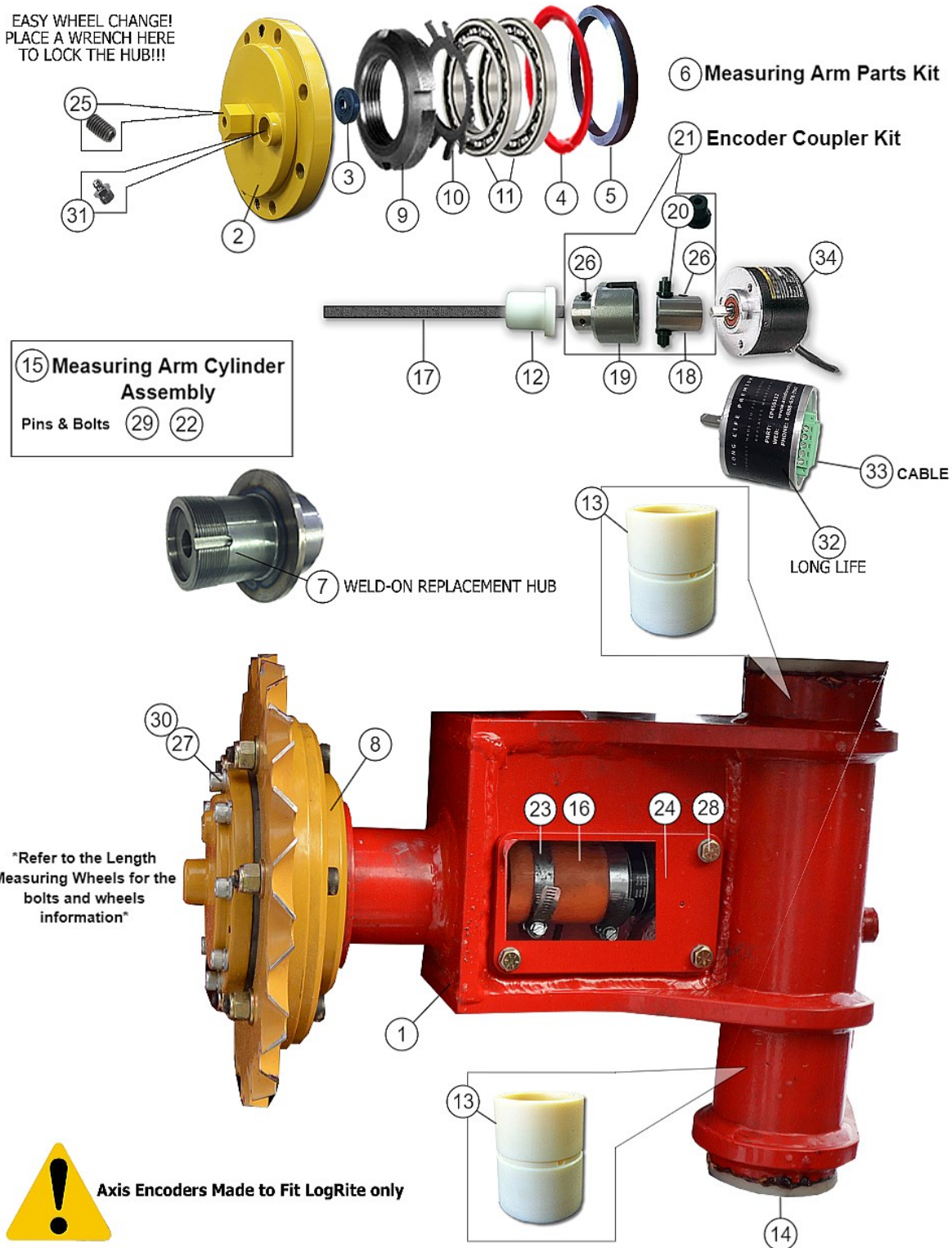
*All manufacturers names, numbers, marks, trademarks and symbols and descriptions are used for reference purposes only. Use of parts not supplied from the original manufacturer on machines under manufacturer warranty could potentially void your manufacturer warranty. Machined parts are built by Axis, not the original manufacturer.



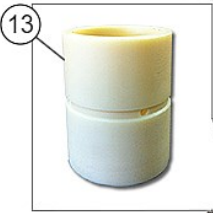
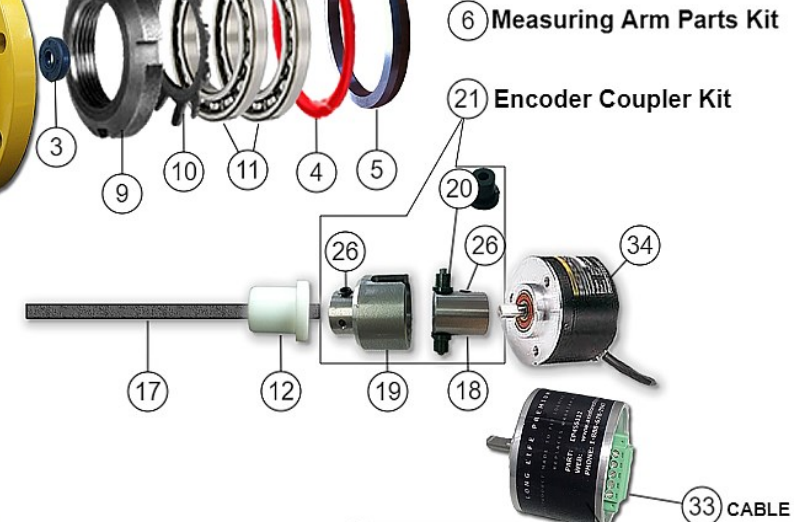
LENGTH & DIAMETER MEASURING GROUP

Axis Length Measuring Assembly - Axis Product Made to Fit LogRite

EASY WHEEL CHANGE!
PLACE A WRENCH HERE
TO LOCK THE HUB!!!



15 Measuring Arm Cylinder Assembly
Pins & Bolts **29 22**



Refer to the Length Measuring Wheels for the bolts and wheels information



Axis Encoders Made to Fit LogRite only

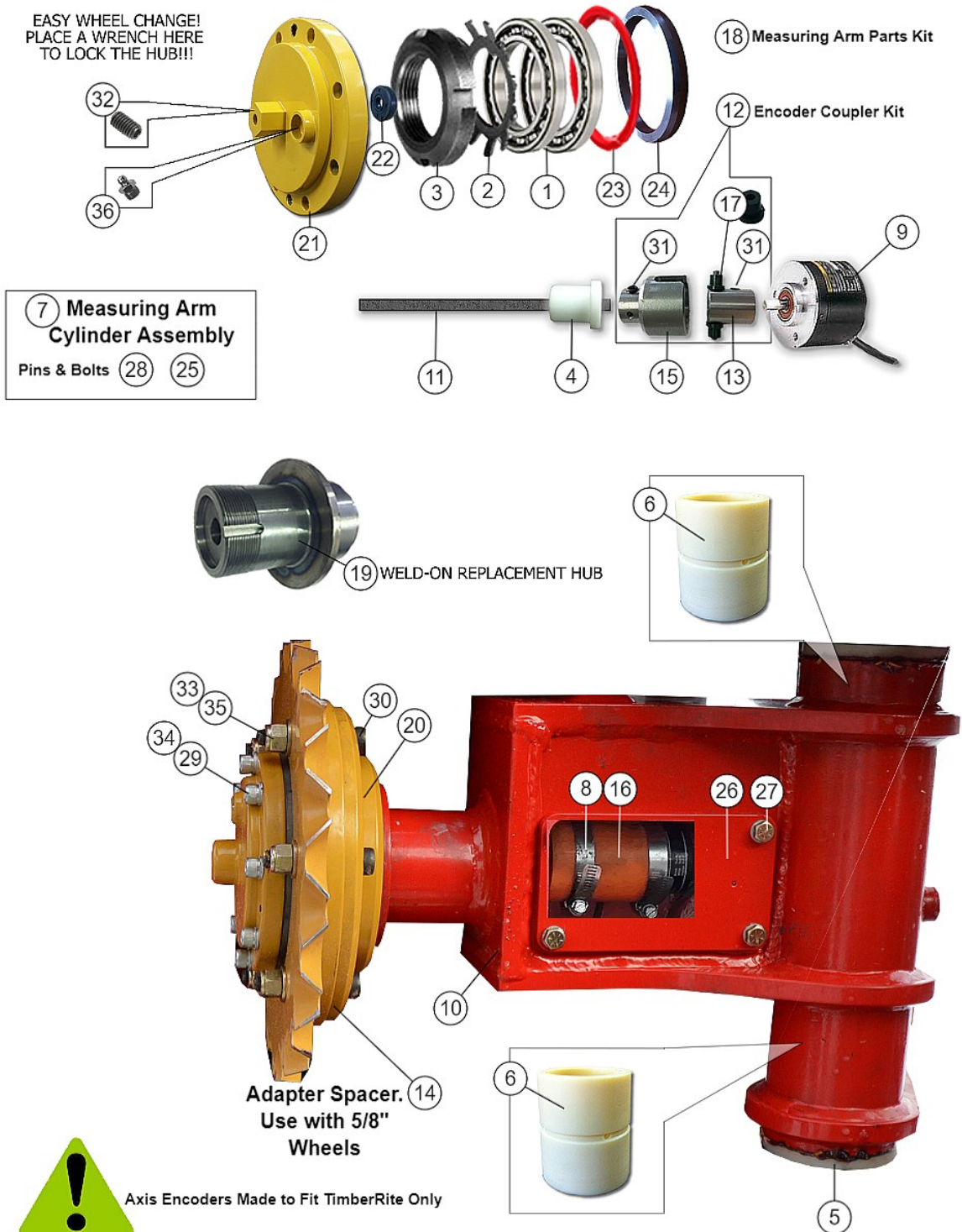
*All manufacturers names, numbers, marks, trademarks and symbols and descriptions are used for reference purposes only. Use of parts not supplied from the original manufacturer on machines under manufacturer warranty could potentially void your manufacturer warranty. Machined parts are built by Axis, not the original manufacturer.

Axis Length Measuring Assembly - Axis Product Made to Fit LogRite

No.	Axis Part No	Qty	Description	Notes
1	MA624001	1	MEASURING ARM	
2	MW600211	1	MEASURING WHEEL END CAP	
3	MW622087	1	SEAL - MEASURING ARM	
4	MW688105	1	SEAL - MEASURING ARM	
5	MW688106	1	SEAL - STEEL SPACER RING	
6	MW600101	1	MEASURING ARM PARTS KIT	
7	MW600112	1	MEASURING WHEEL WELD ON HUB	
8	MW600210	1	MEASURING WHEEL BEARING HUB	
9	BR115754	1	LOCKNUT - MEASURING WHEEL SHAFT	
10	BR115753	1	LOCKWASHER - MEASURING WHEEL	
11	BR115750	2	BEARING - MEASURING WHEEL	
12	BW250825	1	LENGTH ENCODER SHAFT GUIDE BUSHING	
13	BW7057101	2	NYLON BUSHING	
14	BW5710010	2	NYLON SPACER	
15	CW110101	1	CYLINDER ASSY MEASURING	
16	MP485976	1	LENGTH ENCODER MOUNT BUSHING	
17	MP160255	1	LENGTH ENCODER SHAFT	
18	MP190623	1	COUPLER	
19	MP322435	1	COUPLER	
20	MP670375	2	ENCODER BUSHING	
21	MP190100	1	ENCODER COUPLER KIT	
22	PN160127	1	PIN	
23	HS40	1	HOSE CLAMP 2-3"	
24	GC624112	1	COVER LENGTH MEASURING INSPECTION	
25	GFB9312312	1	SET SCREW 5/16" X 5/16"	
26	GFB92250250	1	SOCKET SET SCREW 1/4" X 1/4" UNC	
27	GFB3375125	4	BOLT - 3/8" X 1.25" SOCKET HEAD	
28	GFB1375100	1	BOL - 3/8" X 1" UNC HEX	
29	GFB1312250	1	BOLT - 5/16" X 2.50" UNC HEX	
30	GFW5375	4	ANTI-VIBRATION LOCKWASHER 3/8" (M10)	
31	GFZ14P	1	GREASE FITTING 1/4-28	
32	EP455112	1	LONG LIFE ENCODER	
33	EP455145	1	CABLE	
34	EP455104	1	ENCODER	

*All manufacturers names, numbers, marks, trademarks and symbols and descriptions are used for reference purposes only. Use of parts not supplied from the original manufacturer on machines under manufacturer warranty could potentially void your manufacturer warranty. Machined parts are built by Axis, not the original manufacturer.

Axis Length Measuring Assembly - Axis Product Made To Fit TimberRite



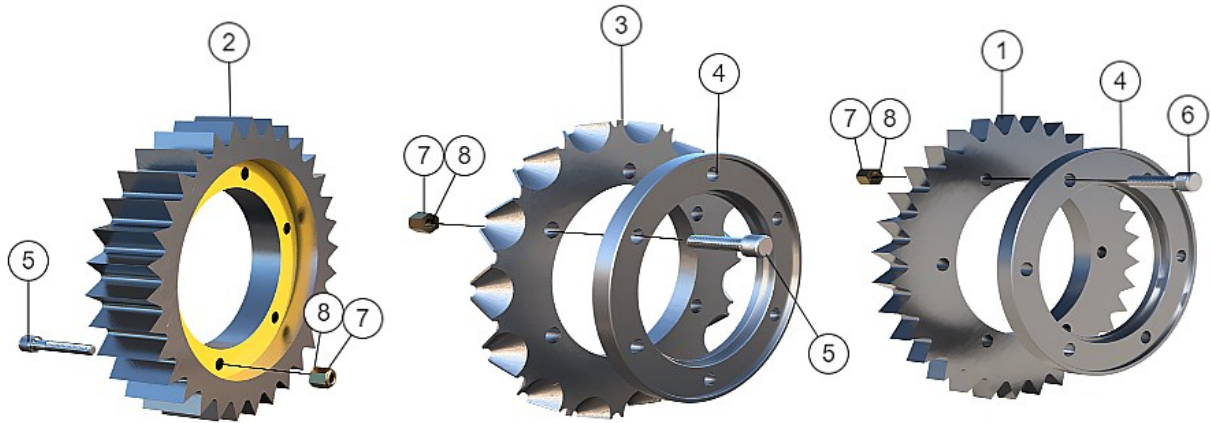
*All manufacturers names, numbers, marks, trademarks and symbols and descriptions are used for reference purposes only. Use of parts not supplied from the original manufacturer on machines under manufacturer warranty could potentially void your manufacturer warranty. Machined parts are built by Axis, not the original manufacturer.

Axis Length Measuring Assembly - Axis Product Made To Fit TimberRite

No.	Axis Part No	Qty	Description	Notes
1	BR115750	2	BEARING - MEASURING WHEEL	
2	BR115753	1	LOCKWASHER - MEASURING WHEEL SHAFT	
3	BR115754	1	LOCKNUT - MEASURING WHEEL SHAFT	
4	BW250825	1	LENGTH ENCODER SHAFT GUIDE BUSHING	
5	BW5710010	2	NYLON SPACER	
6	BW7057101	2	NYLON BUSHING - DELIMB, DRIVE & MEASURING ARM	
7	CW110101	1	CYLINDER ASSY - MEASURING	
8	HS40	2	HOSE CLAMP 2-3"	
9	EP455110	1	ENCODER	*REQUIRES EP455145 EXTENSION CABLE*
10	MA624001	1	MEASURING ARM	
11	MP160255	1	LENGTH ENCODER SHAFT	
12	MP190100	1	ENCODER COUPLER KIT	
13	MP190623	1	COUPLER	
14	MP241615	1	LG. MEASURING WHEEL ADAPTER PLATE	
15	MP322435	1	COUPLER	
16	MP485976	1	LENGTH ENCODER MOUNT BUSHING	
17	MP670375	2	ENCODER BUSHING	
18	MW600101	1	MEASURING ARM PARTS KIT	
19	MW600112	1	MEASURING WHEEL WELD ON HUB	
20	MW600210	1	MEASURING WHEEL BEARING HUB	
21	MW600211	1	MEASURING WHEEL END CAP	
22	MW622087	1	SEAL - MEASURING ARM	
23	MW688105	1	SEAL - MEASURING ARM	
24	MW688106	1	SEAL - STEEL SPACER RING	
25	PN160127	1	PIN - MEASURING ARM CYLINDER ROD END	
26	GC624112	1	COVER - 624 LENGTH MEASURING INSPECTION	
27	GFB1375100	4	BOLT - 3/8" X 1" UNC HEX	
28	GFB1312250	1	BOLT - 5/16" X 2.50" UNC HEX	
29	GFB3375125	8	BOLT - 3/8" X 1.25" SOCKET HEAD	
30	GFB3500175	8	BOLT - 1/2 X 1 3/4" UNC SOCKET HEAD	
31	GFB92250250	2	SOCKET SET SCREW 1/4" X 1/4" UNC	
32	GFB9312312	1	SOCKET SET SCREW 5/16" X 5/16"	
33	GFN4500	8	NYLOCK NUT - 1/2" UNC	
34	GFW5375	8	ANTI-VIBRATION LOCKWASHER 3/8" (M10)	
35	GFW5500	8	ANTI-VIBRATION LOCKWASHER 1/2" (M12)	
36	GFZ14P	1	GREASE FITTING 1/4-28	

*All manufacturers names, numbers, marks, trademarks and symbols and descriptions are used for reference purposes only. Use of parts not supplied from the original manufacturer on machines under manufacturer warranty could potentially void your manufacturer warranty. Machined parts are built by Axis, not the original manufacturer.

Axis Length Measuring Wheels



*All manufacturers names, numbers, marks, trademarks and symbols and descriptions are used for reference purposes only. Use of parts not supplied from the original manufacturer on machines under manufacturer warranty could potentially void your manufacturer warranty. Machined parts are built by Axis, not the original manufacturer.

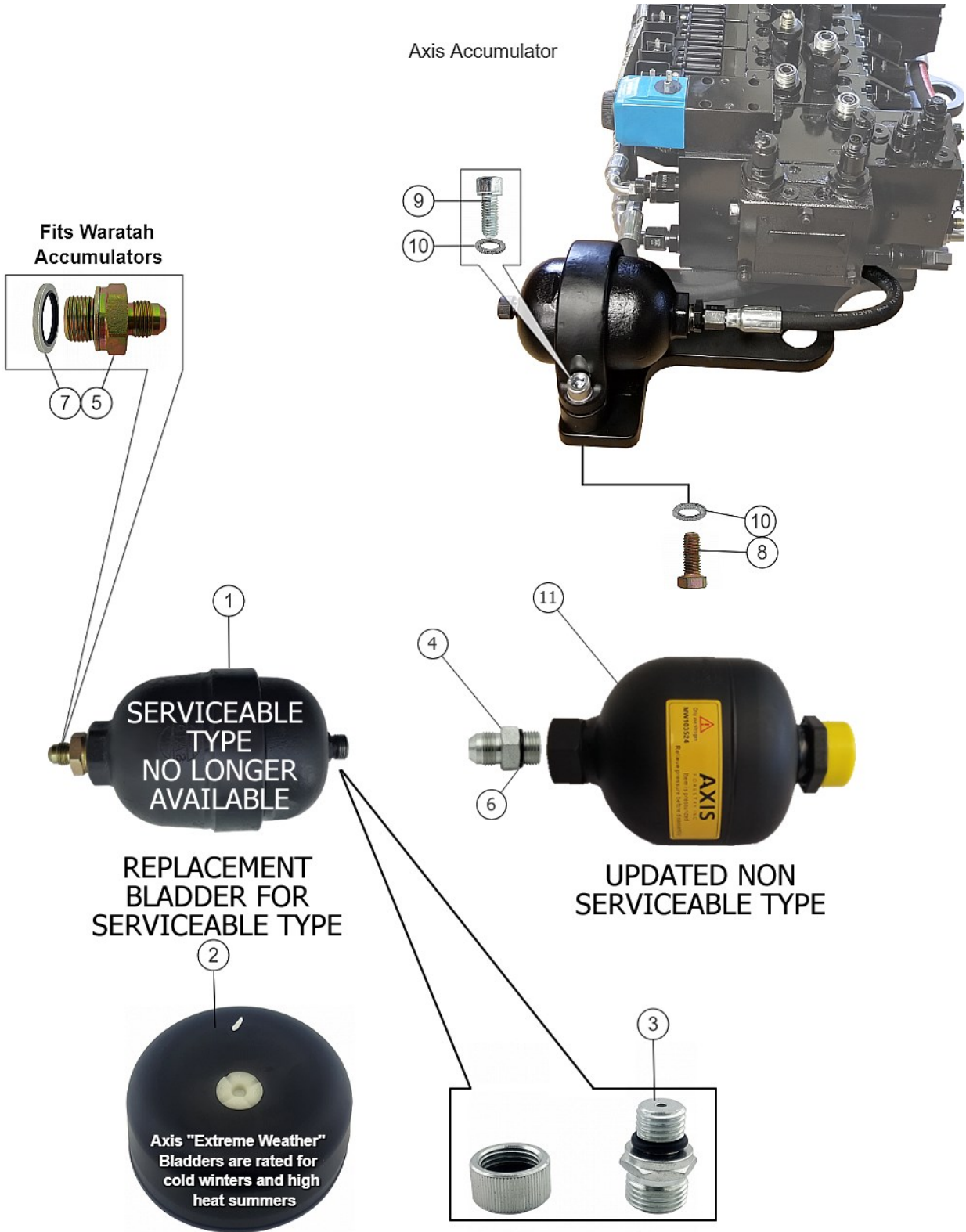
Axis Length Measuring Wheels

No.	Axis Part No	Qty	Description	Notes
1	MW600121	1	MEASURING WHEEL, 30 TOOTH	
2	MW600126	1	MEASURING WHEEL 3"	
3	MW600127	1	SERRATED SELF CLEANING MEASURING WHEEL	
4	MP241615	2	LG. MEASURING WHEEL ADAPTER PLATE	
5	GFB3500225	1	S/CAP BOLT 1/2" X 2.25" UNC	
6	GFB1500250	1	BOLT - 1/2" X 2.5" UNC HEX	
7	GFW5500	3	ANTI-VIBRATION LOCKWASHER 1/2" (M12)	
8	GFN4500	3	NYLOCK NUT, 1/2" UNC	

*All manufacturers names, numbers, marks, trademarks and symbols and descriptions are used for reference purposes only. Use of parts not supplied from the original manufacturer on machines under manufacturer warranty could potentially void your manufacturer warranty. Machined parts are built by Axis, not the original manufacturer.

Axis Accumulator

Axis Accumulator



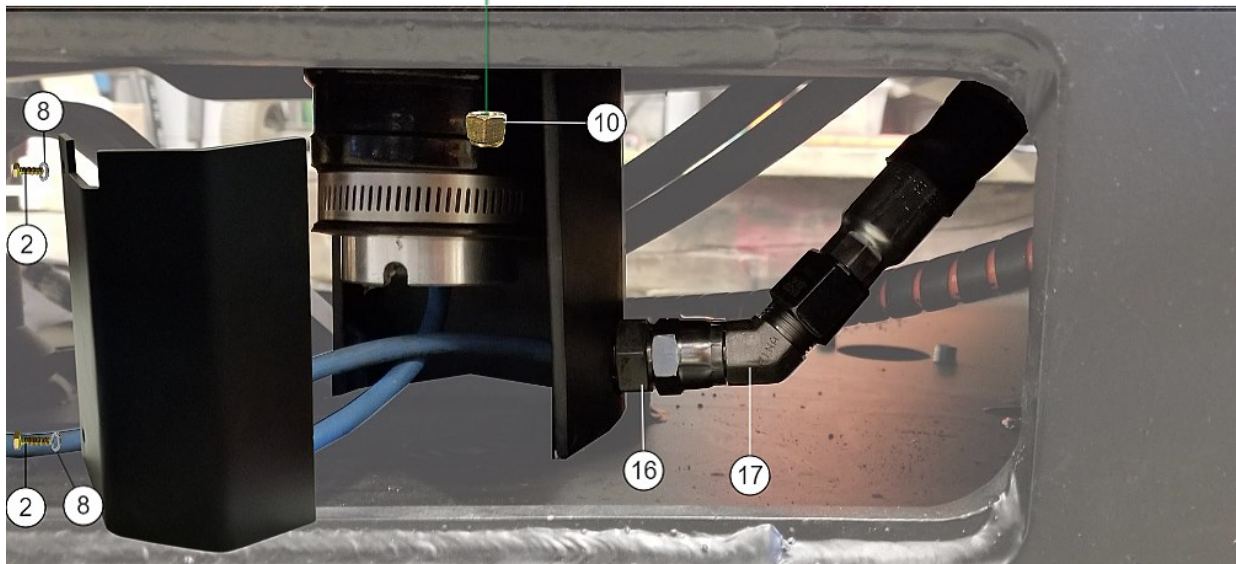
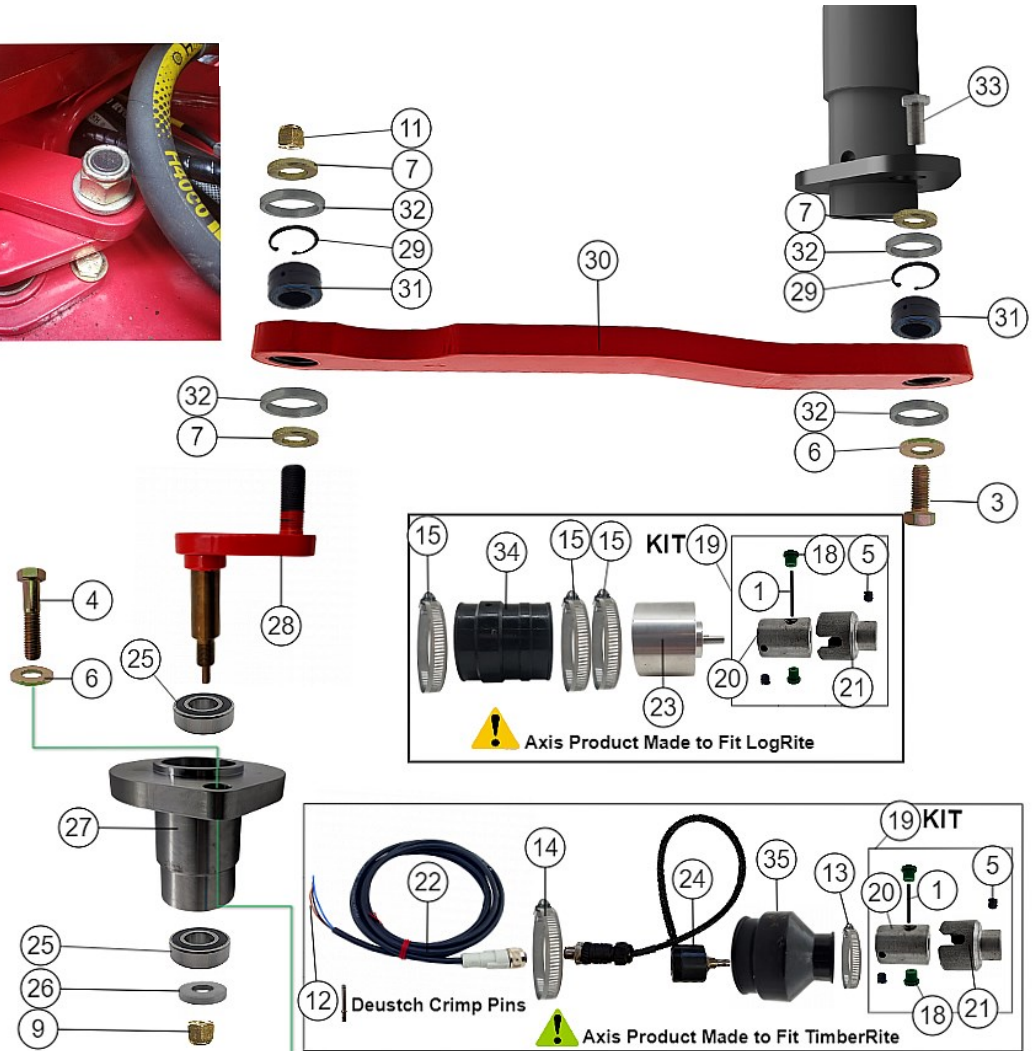
*All manufacturers names, numbers, marks, trademarks and symbols and descriptions are used for reference purposes only. Use of parts not supplied from the original manufacturer on machines under manufacturer warranty could potentially void your manufacturer warranty. Machined parts are built by Axis, not the original manufacturer.

Axis Accumulator

No.	Axis Part No	Qty	Description	Notes
No.	Axis Part No	Qty	Description	Notes
1	MW103523	1	ACCUMULATOR	NO LONGER AVAILABLE
2	MW103526	1	BLADDER - Extreme Weather	FITS SERVICEABLE ACCUMULATORS ONLY
3	MW103521	1	ACCUMULATOR FITTING	FITS SERVICEABLE ACCUMULATORS ONLY
4	HF2080-8-8	1	FITTING - #8 JIC MALE X #8 ORB MALE	
5	HF2091-8-18	1	FITTING - #8 JIC MALE X M18 MALE	
6	ORB3-908	1	ORING FOR #8 ORB	
7	BSP18M	1	METRIC BONDED SEAL M18	
8	GFB1500125	2	BOLT - 1/2" 1.25" UNC HEX	
9	GFB3500125	2	BOLT - 1/2" X 1.25 SOCKET HEAD	
10	GFW5500	4	ANTI-VIBRATION LOCKWASHER 1/2"	
11	MW103524	1	ACCUMULATOR	CURRENT DESIGN—REQUEST CHARGED OR NOT CHARGED WHEN ORDERING.

*All manufacturers names, numbers, marks, trademarks and symbols and descriptions are used for reference purposes only. Use of parts not supplied from the original manufacturer on machines under manufacturer warranty could potentially void your manufacturer warranty. Machined parts are built by Axis, not the original manufacturer.

Axis Diameter Measuring

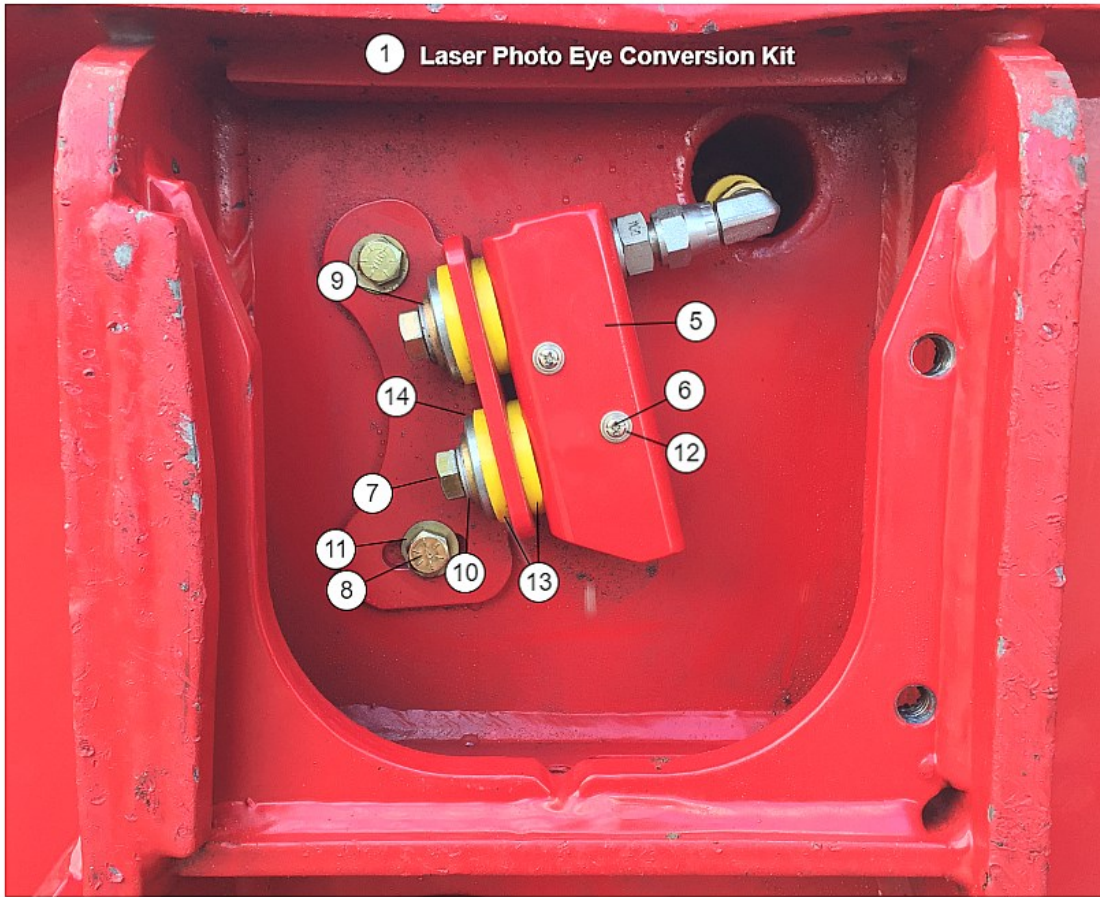


*All manufacturers names, numbers, marks, trademarks and symbols and descriptions are used for reference purposes only. Use of parts not supplied from the original manufacturer on machines under manufacturer warranty could potentially void your manufacturer warranty. Machined parts are built by Axis, not the original manufacturer.

Axis Diameter Measuring

No.	Axis Part No	Qty	Description	Notes
1	GFS3112150	1	SPRING PIN 1/8" X 1-1/2"	
2	GFB1250075	2	BOLT, 1/4" X 0.75" UNC HEX HEAD	
3	GFB1500125	2	BOLT, 1/2" X 1.25" UNC HEX	
4	GFB1500225	1	BOLT, 1/2" X 2.25" UNC HEX	
5	GFB92250250	2	SOCKET SET SCREW 1/4" X 1/4" UNC	
6	GFW1500	2	WASHER, 1/2" HARDENED	
7	GFW1750	3	WASHER - 3/4" HARDENED	
8	GFW5250	2	ANTI-VIBRATION LOCKWASHER 1/4" (M6)	
9	GFN5625	1	NUT, NYLOCK 5/8" UNF	
10	GFN4500	1	NYLOCK NUT, 1/2" UNC	
11	GFN5750	1	NUT - NYLOCK 3/4" UNF	
12	EP910220	3	DUESTCH SOCKET TERMINAL #20	
13	HS16	1	HOSE CLAMP, 11/16" - 1.5"	
14	HS32	1	HOSE CLAMP 1 1/2 TO 2 1/2	
15	HS40	3	HOSE CLAMP 2-3"	
16	HF2040-6-8	1	FITTING, #6 JIC MALE X #8 BSP MALE	
17	HF2535-8-8	1	FITTING, #08 JIC MALE X #8 JIC FEMALE, SWIVEL 45	
18	MP670375	2	ENCODER BUSHING	
19	MP190100	1	ENCODER COUPLER KIT	
20	MP190623	1	COUPLER	
21	MP322435	1	COUPLER	
22	EP455145	1	2M CABLE FOR LASER PHOTO EYE	
23	EP455112	1	LONG LIFE ENCODER	*REQUIRES EP455145 EXTENSION CABLE*
24	EP455109	1	POTENTIOMETER	
25	BR115757	2	BEARING, DIAMETER ENCODER	
26	BW351605	1	SPACER, MEASURING DIAMETER	
27	MP624019	1	BEARING MOUNT, FITS 624	
28	MP624017	1	CRANK, 624 DIAMETER	
29	GF5551	2	SNAP RING, TOP SAW CYLINDERS	
30	MP624016	1	LINK - DIA MEASURING 624	
31	SBB12-2RSZ	2	SELF ALIGNING BUSHING	
32	BW241903	4	SPACER, DIAMETER MEASURING LINK	
33	MP624018	1	COUPLER, DIAMETER, FITS 620, 622W, 624	
34	MP486472	1	BUSHING DIAMETER MEASURING	
35	MP793277	1	DIAMETER POTENTIOMETER MOUNT BUSHING	

*All manufacturers names, numbers, marks, trademarks and symbols and descriptions are used for reference purposes only. Use of parts not supplied from the original manufacturer on machines under manufacturer warranty could potentially void your manufacturer warranty. Machined parts are built by Axis, not the original manufacturer.



Laser Upgrade



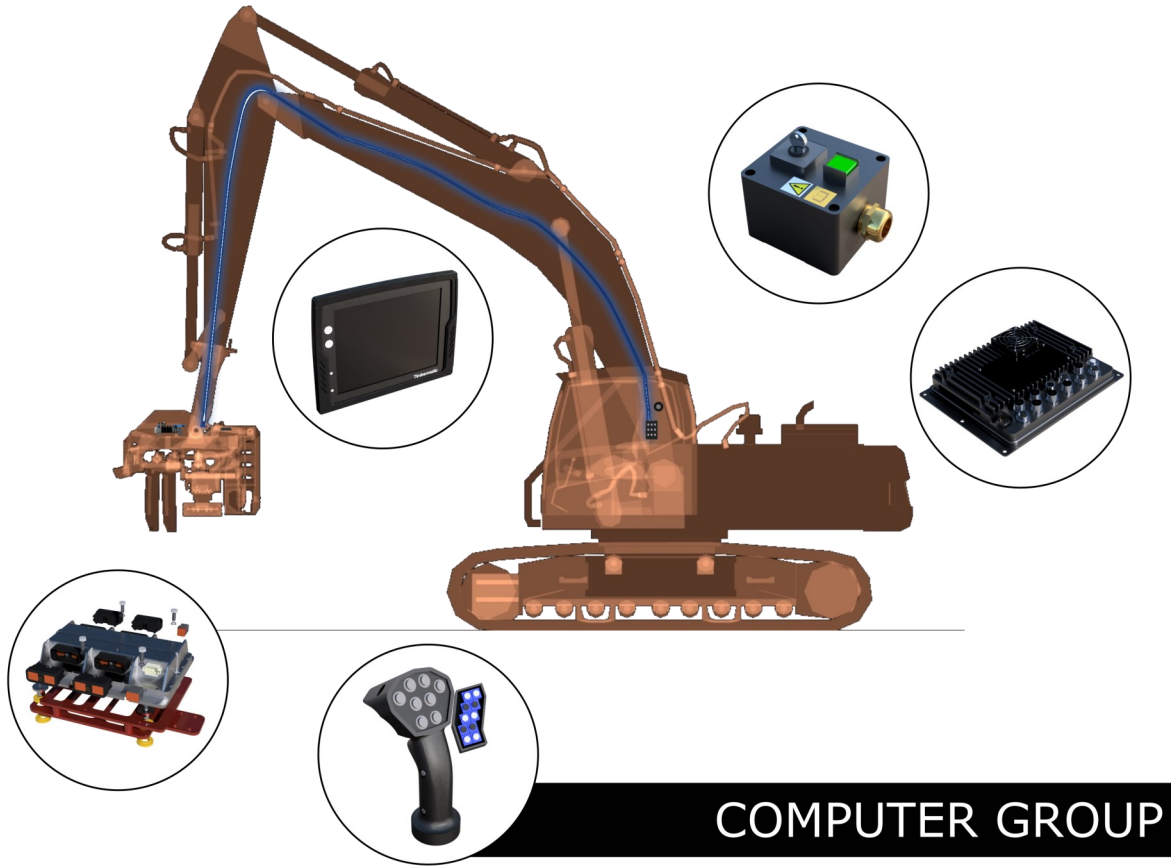
Photocell Original

*All manufacturers names, numbers, marks, trademarks and symbols and descriptions are used for reference purposes only. Use of parts not supplied from the original manufacturer on machines under manufacturer warranty could potentially void your manufacturer warranty. Machined parts are built by Axis, not the original manufacturer.

Axis Find End Photo Eye

No.	Axis Part No	Qty	Description	Notes
1	MP190202	1	LASER PHOTO EYE CONVERSION KIT	
2	EP455115	1	LASER PHOTO EYE	
3	EP455103	1	PHOTOCELL	
4	EP455116	1	2M CABLE FOR LASER PHOTO EYE	
5	GC455204	1	MOUNT, LASER PHOTO EYE	
6	GFB80330	2	BOLT, 3MM X 30MM SOCKET HEAD	
7	GFB2437125	2	BOLT, 7/16" X 1.25" UNF HEX HEAD	
8	GFB1500100	2	BOLT, 1/2" X 1" UNC HEX	
9	GFW1437	2	WASHER, 7/16" HARDENED	
10	GFW5437	2	ANTI-VIBRATION LOCKWASHER 7/16	
11	GFW5500	2	ANTI-VIBRATION LOCKWASHER 1/2" (M12)	
12	GFN303	2	NUT - M3	
13	MR561708	4	BUSHING	
14	MR561709	2	STEEL SPACER BUSHING	

*All manufacturers names, numbers, marks, trademarks and symbols and descriptions are used for reference purposes only. Use of parts not supplied from the original manufacturer on machines under manufacturer warranty could potentially void your manufacturer warranty. Machined parts are built by Axis, not the original manufacturer.



COMPUTER GROUP

Head Module



Axis Product Made to Fit LogRite Only

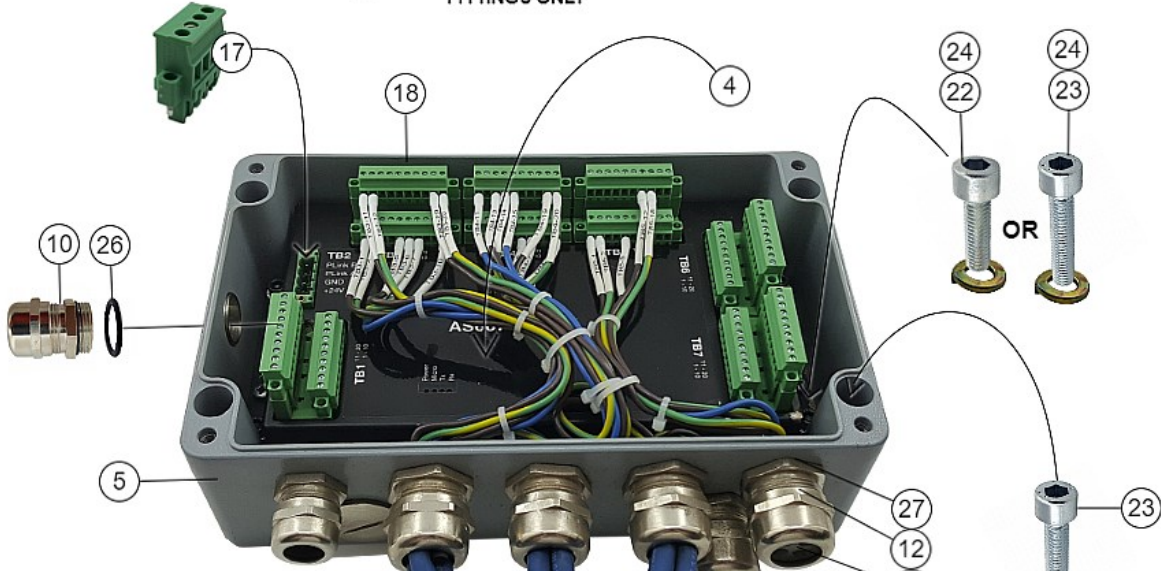


8 INSIDE COVER WIRING DIAGRAM DECAL

1 COMPLETE BOX WITH WIRING & MODULE

2 COMPLETE BOX WITH WIRING, NO MODULE

3 BOX WITH DECALS & GLAND FITTINGS ONLY



	15	14	19
ENCODER DIAMETER	⊘	⊘	⊘
ENCODER LENGTH	⊘	⊘	⊘
MAIN SAW PROXIMITY	⊘	⊘	⊘
MAIN SAW LIMITING A	⊘	⊘	⊘
MAIN SAW LIMITING A	⊘	⊘	⊘
TOP SAW PROXIMITY		⊘	⊘
PHOTOCELL		⊘	⊘
ALL OTHER CABLES		⊘	⊘
BOOM CABLE GRN & WHT		⊘	⊘
BOOM CABLE RED & BLK			⊘



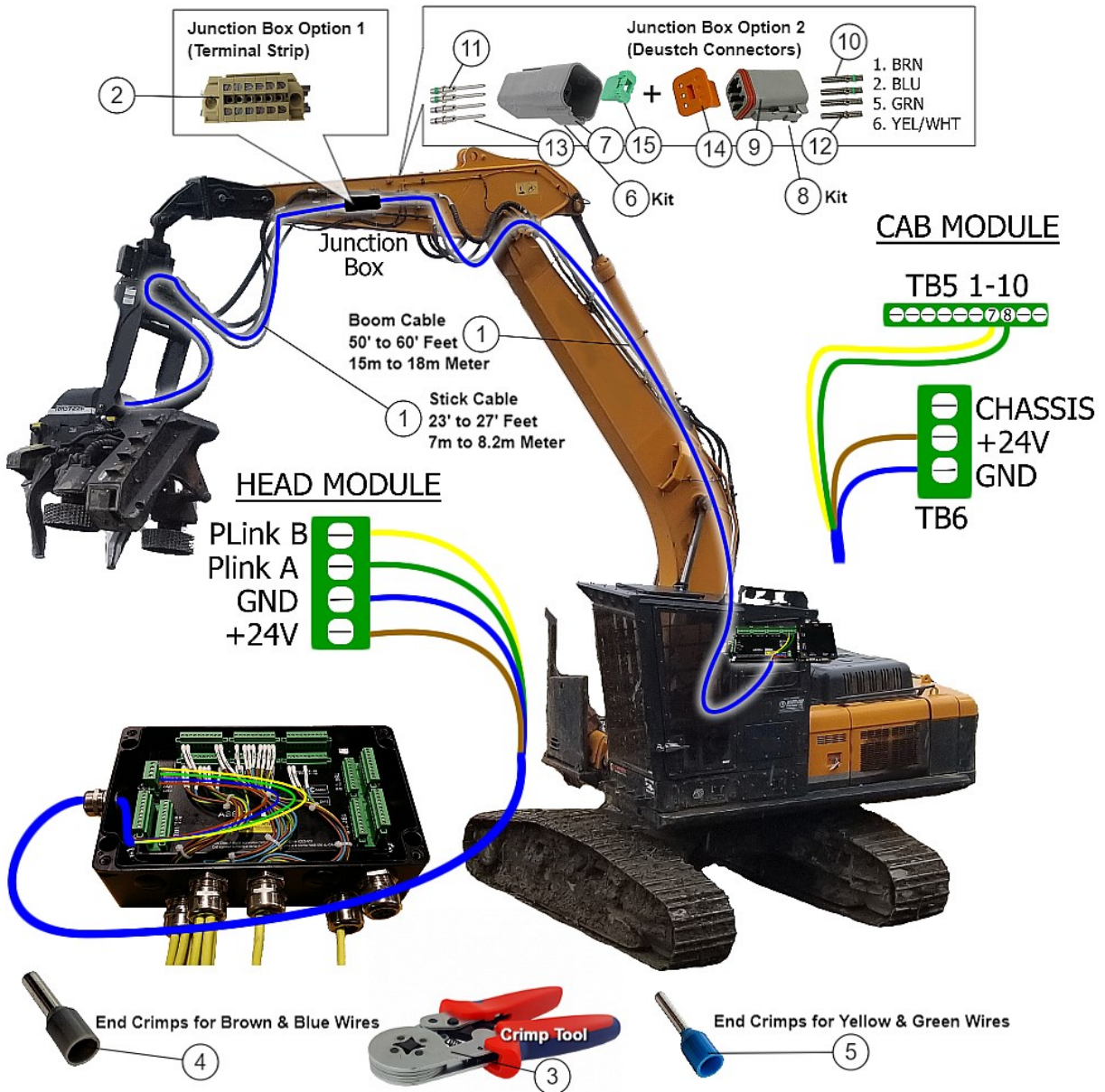
*All manufacturers names, numbers, marks, trademarks and symbols and descriptions are used for reference purposes only. Use of parts not supplied from the original manufacturer on machines under manufacturer warranty could potentially void your manufacturer warranty. Machined parts are built by Axis, not the original manufacturer.

Head Module

No.	Axis Part No	Qty	Description	Notes
1	EP696	1	CAB MODULE	
2	EP696004	1	CAB MODULE BLANK ENCLOSURE BOX	
3	EP455107	1	RELAY - FITS CAB MODULE & KEYSWITCH BOX	
4	EP698720	1	GLAND PG11	
5	EP698740	1	GLAND PG16	
6	EP698750	2	GLAND PG21	
7	EP698280	2	INSERT, 2 HOLE	
8	EP696305	1	INTERNAL CABLE, COLOUR SCREEN POWER SUPPLY	
9	EP696311	1	INTERNAL HARNESS, SPECIES/PRESELECT PAD	
10	EP696312	1	INTERNAL HARNESS, LEFT JOYSTICK	
11	EP696313	1	INTERNAL HARNESS, RIGHT JOYSTICK	
12	EP696314	1	INTERNAL HARNESS, FILTER DIAGNOSTICS	
13	EP696304	1	SERIAL PORT PROGRAMMING CABLE	
14	EP696306	1	INTERNAL CABLE, PRINTER	
15	EP696302	1	RIBBON CABLE - CAB MODULE VGA PORT	
16	EP696301	1	RIBBON CABLE - CAB MODULE PS2/NUMPAD PORT	
17	EP696303	1	RIBBON CABLE -CAB MODULE USB NUMPAD PORT	
18	EP750230A	9	JACKSCREW KIT	
19	EP696204	4	BUSHING, CAB MODULE MT MALE	
20	EP696202	1	CAB MODULE MOUNT (USED TO EP696-MP)	
21	EP696201	1	CAB MODULE SEAL	
22	EP696101	1	CAB MODULE OUTSIDE LID DECAL	
23	EP696102	1	CAB MODULE INSIDE LID DECAL	
24	GFB80516	4	BOLT, 5 X 16MM SOCKET HEAD	
25	GFB80530	4	BOLT, 5 X 30MM SOCKET HEAD	
26	GFW605	4	WASHER, 5MM INTERNAL STAR	
27	T330377A	1	O-RING	
28	T282395A	1	O-RING	
29	R24323C	1	O-RING, #8 ORFS	

*All manufacturers names, numbers, marks, trademarks and symbols and descriptions are used for reference purposes only. Use of parts not supplied from the original manufacturer on machines under manufacturer warranty could potentially void your manufacturer warranty. Machined parts are built by Axis, not the original manufacturer.

270° Rotation Heads - Boom Wiring Axis Product Made to Fit LogRite



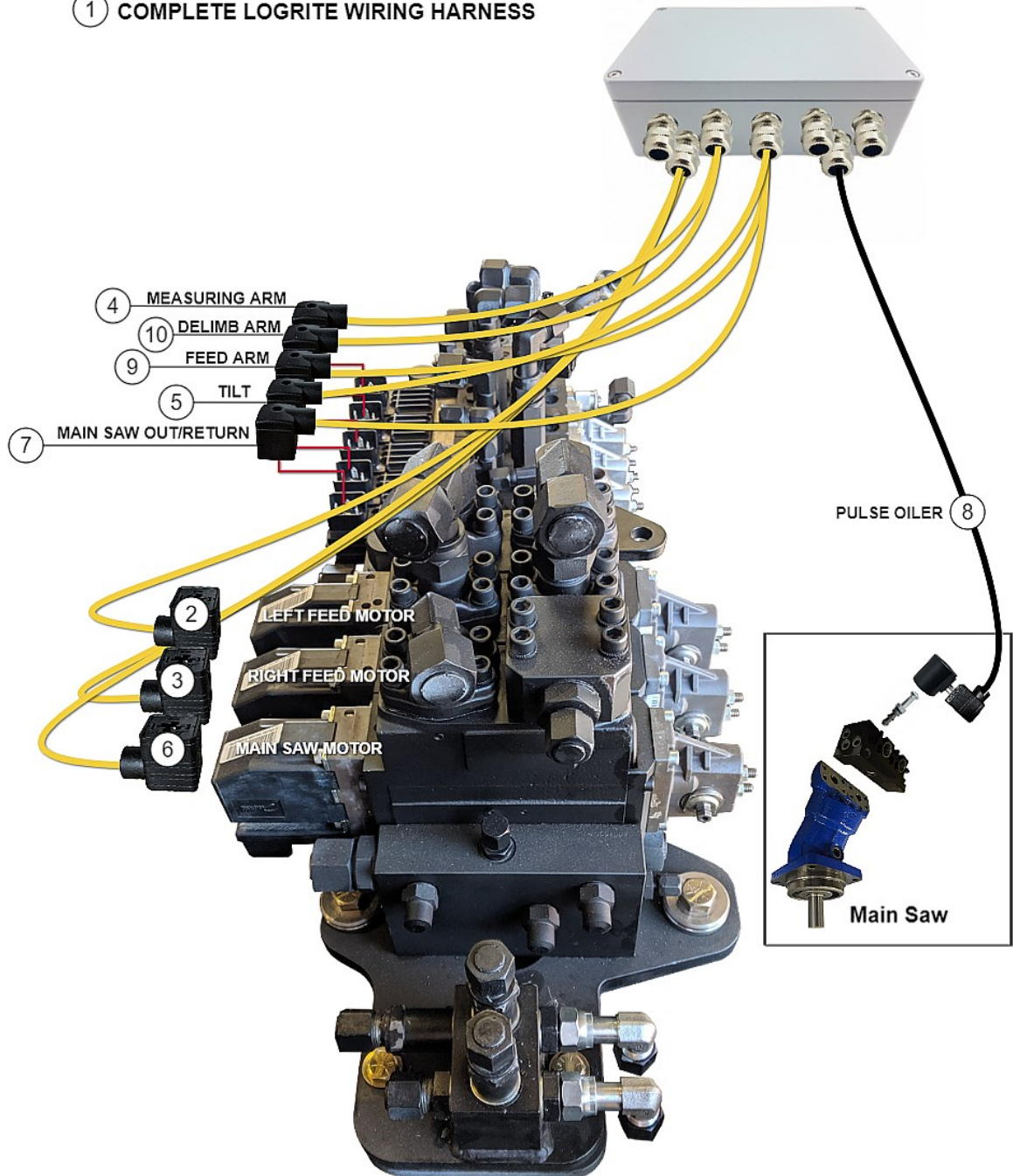
*All manufacturers names, numbers, marks, trademarks and symbols and descriptions are used for reference purposes only. Use of parts not supplied from the original manufacturer on machines under manufacturer warranty could potentially void your manufacturer warranty. Machined parts are built by Axis, not the original manufacturer.

270° Rotation Heads - Boom Wiring Axis Product Made to Fit LogRite

No.	Axis Part No	Qty	Description	Notes
1	EP456106	82	WIRE - 4 STRAND BOOM CABLE	
2	EP684013	1	JUNCTION BOX	
3	EP910166	4	DEUTSCH PLUG 6 WIRE WITH WEDGE LOCK	
4	EP910176	4	DEUTSCH PLUG 6 WIRE	
5	EP920601	4	WEDGE LOCK FOR 6 WIRE PLUG	
6	EP910210	24	DEUTSCH SOCKET TERMINAL #16	
7	EP910146	3	DEUTSCH RECEPTACLE 6 PIN WITH WEDGE LOCK	
8	EP910156	3	DEUTSCH CONNECTOR 6 PIN WITH WEDGE LOCK	
9	EP920602	3	WEDGE LOCK FOR 6 WIRE RECEPTACLE	
10	EP910211	2	DEUTSCH PIN TERMINAL #16	
11	EP750116	2	BLUE BOOTLACE FERRULE - 20 AWG	
12	EP750114	2	GREY BOOTLACE FURRULE - 14 AWG	
13	EP750100	2	CRIMP TOOL - BOOTLACE FURRULES	

*All manufacturers names, numbers, marks, trademarks and symbols and descriptions are used for reference purposes only. Use of parts not supplied from the original manufacturer on machines under manufacturer warranty could potentially void your manufacturer warranty. Machined parts are built by Axis, not the original manufacturer.

① COMPLETE LOGRITE WIRING HARNESS



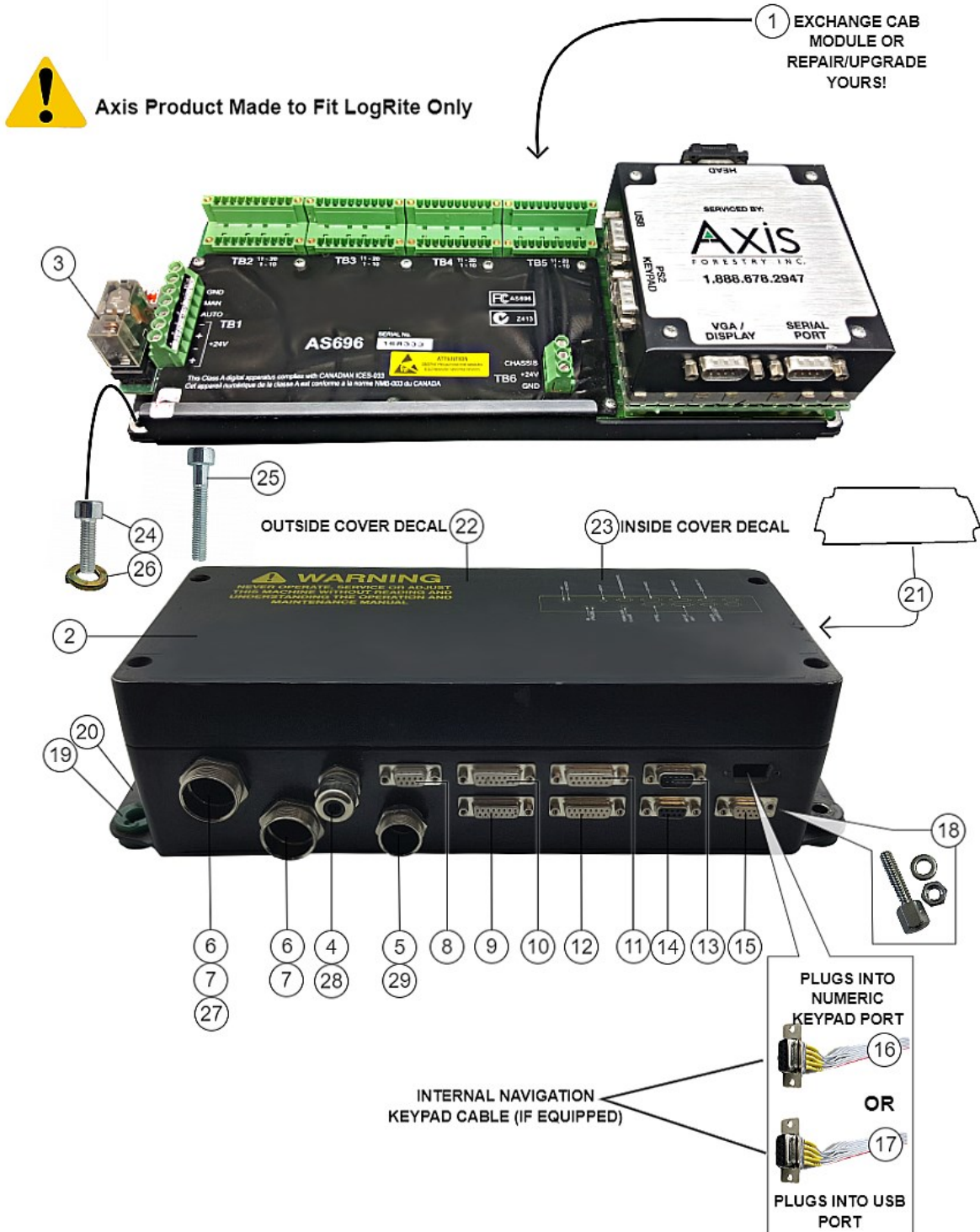
*All manufacturers names, numbers, marks, trademarks and symbols and descriptions are used for reference purposes only. Use of parts not supplied from the original manufacturer on machines under manufacturer warranty could potentially void your manufacturer warranty. Machined parts are built by Axis, not the original manufacturer.

Axis Wiring Harness Made to Fit LogRite

No.	Axis Part No	Qty	Description	Notes
1	EP750624CA	1	CABLE HARNESS—624 LOGRITE COMPLETE	
2	EP750624-A	1	CABLE HARNESS—LOGRITE LEFT MOTOR	
3	EP750624-B	1	CABLE HARNESS—LOGRITE RIGHTMOTOR	
4	EP750624-C	1	CABLE HARNESS—LOGRITE MEASURING ARM	
5	EP750624-D	1	CABLE HARNESS—LOGRITE TILT	
6	EP750624-E	1	CABLE HARNESS—LOGRITE SAW CUT	
7	EP750624-F	1	CABLE HARNESS—LOGRITE SAW CYLINDER OUT	
8	EP750624-G	1	CABLE HARNESS—LOGRITE PULSE OILER	
9	EP750624-H	1	CABLE HARNESS—LOGRITE DRIVE ARM	
10	EP750624-I	1	CABLE HARNESS—LOGRITE DELIMB	

*All manufacturers names, numbers, marks, trademarks and symbols and descriptions are used for reference purposes only. Use of parts not supplied from the original manufacturer on machines under manufacturer warranty could potentially void your manufacturer warranty. Machined parts are built by Axis, not the original manufacturer.

Cab Module



*All manufacturers names, numbers, marks, trademarks and symbols and descriptions are used for reference purposes only. Use of parts not supplied from the original manufacturer on machines under manufacturer warranty could potentially void your manufacturer warranty. Machined parts are built by Axis, not the original manufacturer.

Cab Module

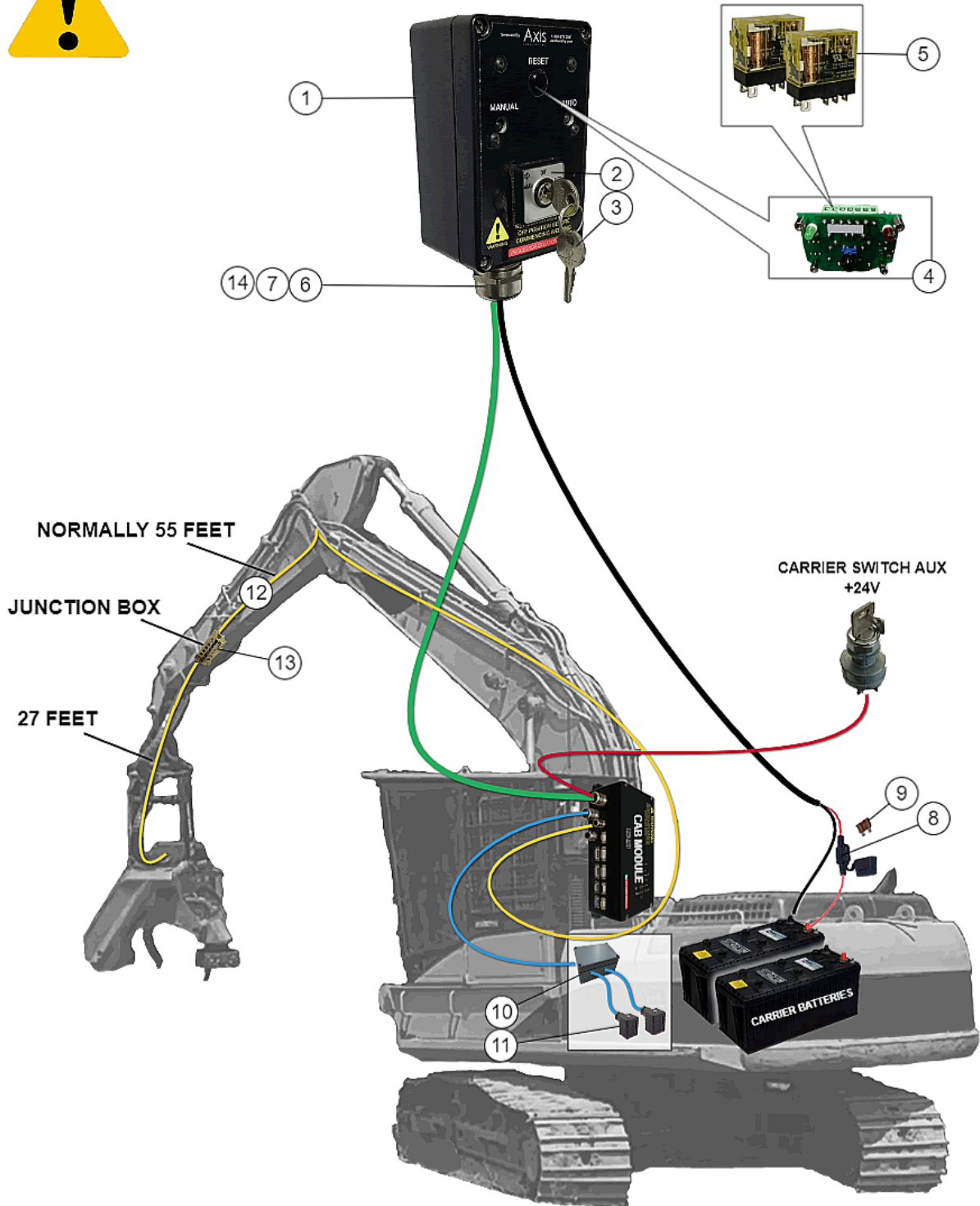
No.	Axis Part No	Qty	Description	Notes
1	EP696	1	CAB MODULE	
2	EP696004	1	CAB MODULE BLANK ENCLOSURE BOX	
3	EP455107	1	RELAY - FITS CAB MODULE & KEY SWITCH BOX	
4	EP698720	1	GLAND	
5	EP698740	1	GLAND	
6	EP698750	2	GLAND	
7	EP698280	2	INSERT - 2 HOLE	
8	EP696305	1	INTERNAL CABLE - COLOUR SCREEN POWER SUPPLY	
9	EP696311	1	INTERNAL HARNESS - SPECIES/PRESELECT PAD	
10	EP696312	1	INTERNAL HARNESS - LEFT JOYSTICK	
11	EP696313	1	INTERNAL HARNESS - RIGHT JOYSTICK	
12	EP696314	1	INTERNAL HARNESS - FILTER DIAGNOSTICS	
13	EP696304	1	SERIAL PORT PROGRAMMING CABLE	
14	EP696306	1	INTERNAL CABLE - PRINTER	
15	EP696302	1	RIBBON CABLE - CAB MODULE VGA PORT	
16	EP696301	1	RIBBON CABLE - CAB MODULE PS2/NUMPAD PORT	
17	EP696303	1	RIBBON CABLE -CAB MODULE USB NUMPAD PORT	
18	EP750230A	9	JACKSCREW KIT	
19	EP696204	4	BUSHING - CAB MODULE MOUNT	
20	EP696202	1	CAB MODULE MOUNT SUB-PLATE	
21	EP696201	1	CAB MODULE SEAL	
22	EP696101	1	CAB MODULE OUTSIDE LID DECAL	
23	EP696102	1	CAB MODULE INSIDE LID DECAL	
24	GFB80516	4	BOLT - 5 X 16MM SOCKET HEAD	
25	GFB80530	4	BOLT - 5 X 30MM SOCKET HEAD	
26	GFW605	4	WASHER - 5MM INTERNAL STAR	
27	T330377A	1	O-RING	
28	T282395A	1	O-RING	
29	R24323C	1	O-RING	

*All manufacturers names, numbers, marks, trademarks and symbols and descriptions are used for reference purposes only. Use of parts not supplied from the original manufacturer on machines under manufacturer warranty could potentially void your manufacturer warranty. Machined parts are built by Axis, not the original manufacturer.

Key Switch Box and Cabling



AXIS PRODUCT MADE TO FIT LOGRITE ONLY



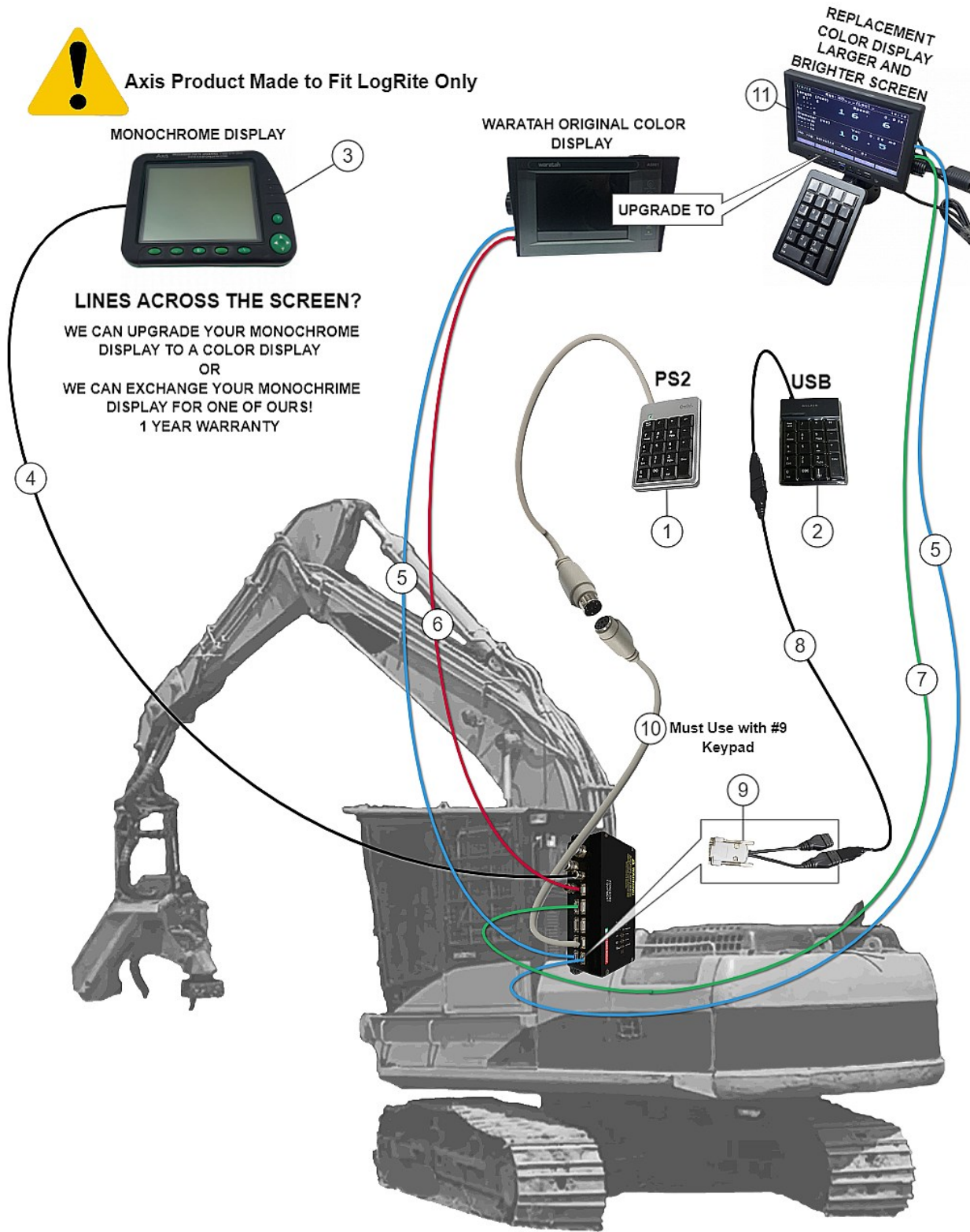
*All manufacturers names, numbers, marks, trademarks and symbols and descriptions are used for reference purposes only. Use of parts not supplied from the original manufacturer on machines under manufacturer warranty could potentially void your manufacturer warranty. Machined parts are built by Axis, not the original manufacturer.

Key Switch Box and Cabling

No.	Axis Part No	Qty	Description	Notes
1	EP683	1	KEY SWITCH BOX ASSEMBLY	
2	EP683001	1	KEY SWITCH	
3	EP683002	1	KEY FOR KEY SWITCH	
4	EP683003	1	PRINTED CIRCUIT BOARD	
5	EP455107	1	RELAY	
6	EP698750	1	GLAND	
7	EP698280	1	INSERT - 2 HOLE	
8	EP990001	1	INLINE FUSE HOLDER	
9	EP990002	1	FUSE	
10	EP684012	1	PUMP 1 & 2 SOLENOIDS BOX ASSEMBLY	
11	EP455100	1	CONNECTOR	INCLUDES CABLES
12	EP456111	1	WIRE - 6 STRAND BOOM CABLE	SOLD PER FOOT
13	EP684013	1	JUNCTION BOX	
14	T330377V	1	O-RING	

*All manufacturers names, numbers, marks, trademarks and symbols and descriptions are used for reference purposes only. Use of parts not supplied from the original manufacturer on machines under manufacturer warranty could potentially void your manufacturer warranty. Machined parts are built by Axis, not the original manufacturer.

Display Screens and Menu Navigation



*All manufacturers names, numbers, marks, trademarks and symbols and descriptions are used for reference purposes only. Use of parts not supplied from the original manufacturer on machines under manufacturer warranty could potentially void your manufacturer warranty. Machined parts are built by Axis, not the original manufacturer.

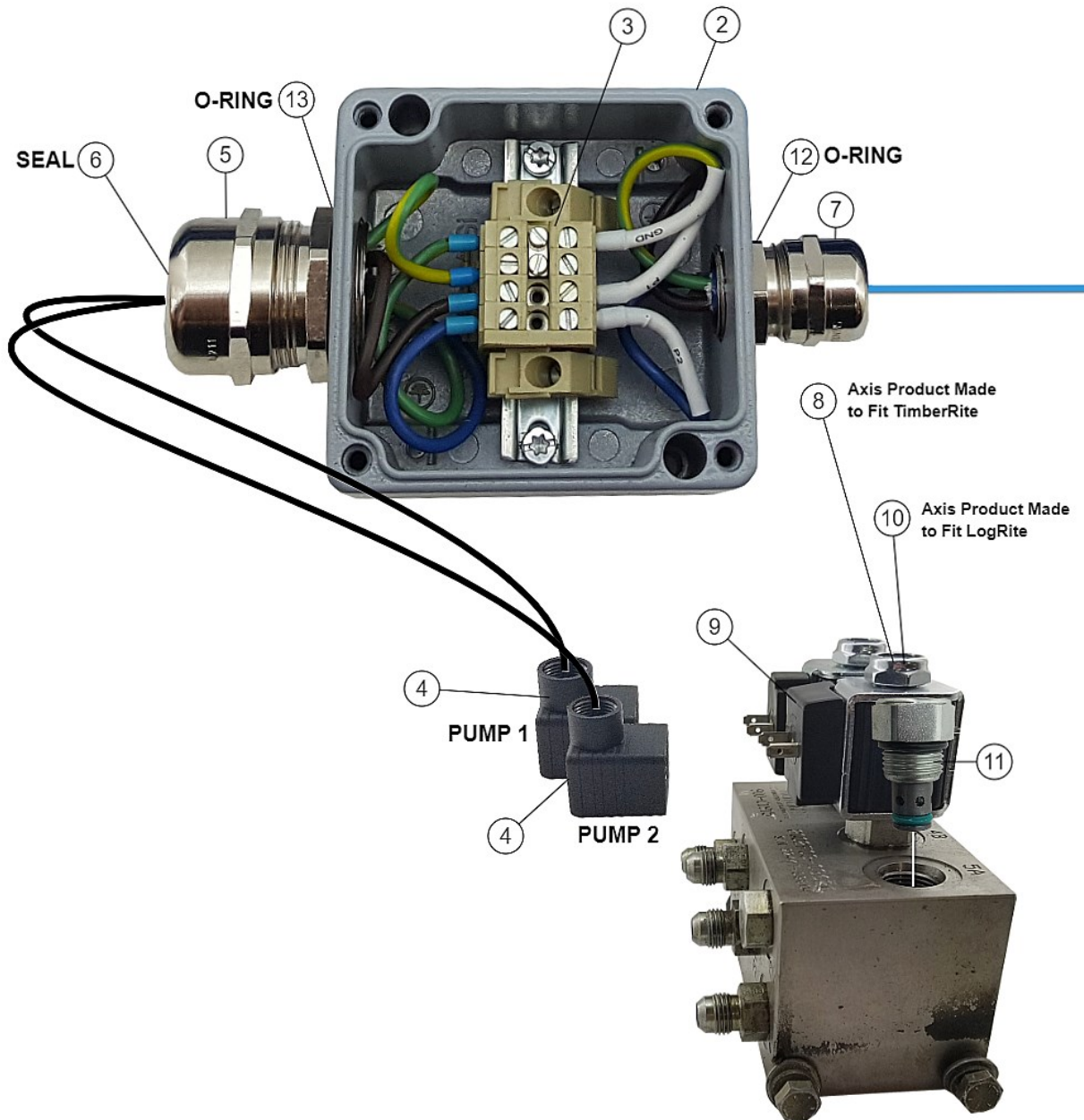
Display Screens and Menu Navigation

No.	Axis Part No	Qty	Description	Notes
1	EP624700	1	MENU NAVIGATION KEYPAD	
2	EP624701	1	MENU NAVIGATION KEYPAD USB TYPE.	
3	EP750	1	DISPLAY SCREEN - MONOCHROME	
4	EP750150	1	CABLE - WARATAH MONOCHROME DISPLAY SCREEN	
5	EP750151	1	COLOR DISPLAY SCREEN POWER CABLE	
6	EP750152	1	VGA EXTENSION CABLE, WARATAH COLOR DISPLAY	
7	EP750152C	1	VGA CABLE M/M 25'..FITS AXIS COLOR SCREENS	
8	EP750153	1	USB EXTENSION CABLE	
9	EP750154	1	ADAPTER	
10	EP750156	1	PS2 NAVIGATION KEYPAD	EXTENSION CABLE WITH THREADED CONNECTOR
11	EP785	1	COLOUR SCREEN	

*All manufacturers names, numbers, marks, trademarks and symbols and descriptions are used for reference purposes only. Use of parts not supplied from the original manufacturer on machines under manufacturer warranty could potentially void your manufacturer warranty. Machined parts are built by Axis, not the original manufacturer.

Pump Solenoids Box

① COMPLETE ASSEMBLY WITH WIRING & CONNECTORS



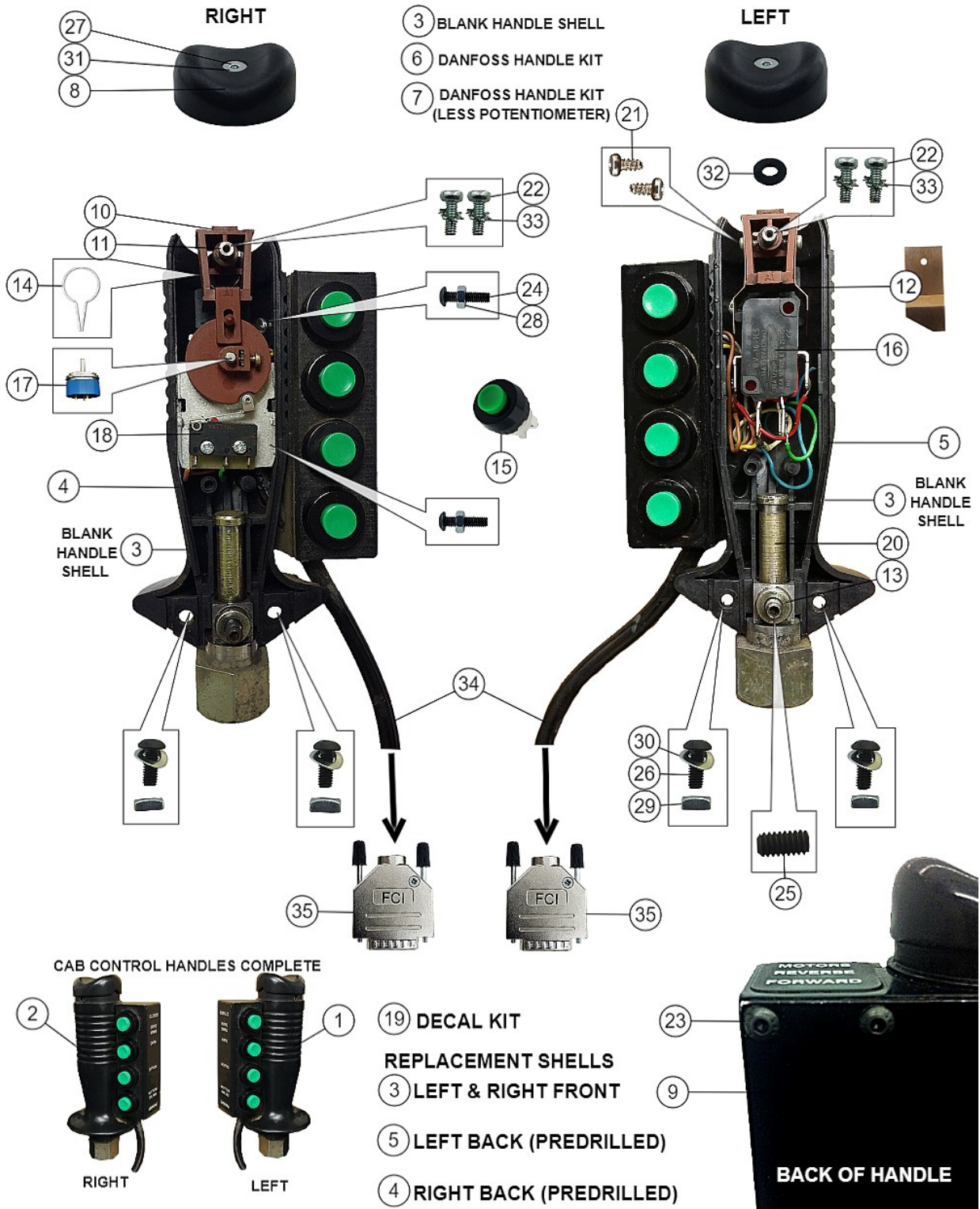
*All manufacturers names, numbers, marks, trademarks and symbols and descriptions are used for reference purposes only. Use of parts not supplied from the original manufacturer on machines under manufacturer warranty could potentially void your manufacturer warranty. Machined parts are built by Axis, not the original manufacturer.

Pump Solenoids Box

No.	Axis Part No	Qty	Description	Notes	
1	EP684012	1	PUMP 1 & 2 SOLENOIDS BOX ASSEMBLY	INCLUDES CABLES	
2	EP684011	1	PUMP SOLENOID BOX		
3	EP684005	1	PUMP SOLENOID TERMINAL ASSEMBLY		
4	EP455100	3	CONNECTOR		
5	EP698750	1	GLAND		
6	EP698460	1	INSERT- 4 HOLE		
7	EP698720	1	GLAND		
8	HV350024	2	COIL		
9	HV350882	2	PUMPS 1 & 2 SOLENOID VALVE		AXIS PRODUCT MADE TO FIT TIMBERRITE
10	HV350883	2	PUMPS 1 & 2 SOLENOID VALVE		AXIS PRODUCT MADE TO FIT LOGRITE
11	HV350884	1	CHECK VALVE		
12	T282395V	1	O-RING		
13	T330377V	1	O-RING		

*All manufacturers names, numbers, marks, trademarks and symbols and descriptions are used for reference purposes only. Use of parts not supplied from the original manufacturer on machines under manufacturer warranty could potentially void your manufacturer warranty. Machined parts are built by Axis, not the original manufacturer.

Danfoss Control Handles



*All manufacturers names, numbers, marks, trademarks and symbols and descriptions are used for reference purposes only. Use of parts not supplied from the original manufacturer on machines under manufacturer warranty could potentially void your manufacturer warranty. Machined parts are built by Axis, not the original manufacturer.

Danfoss Control Handles

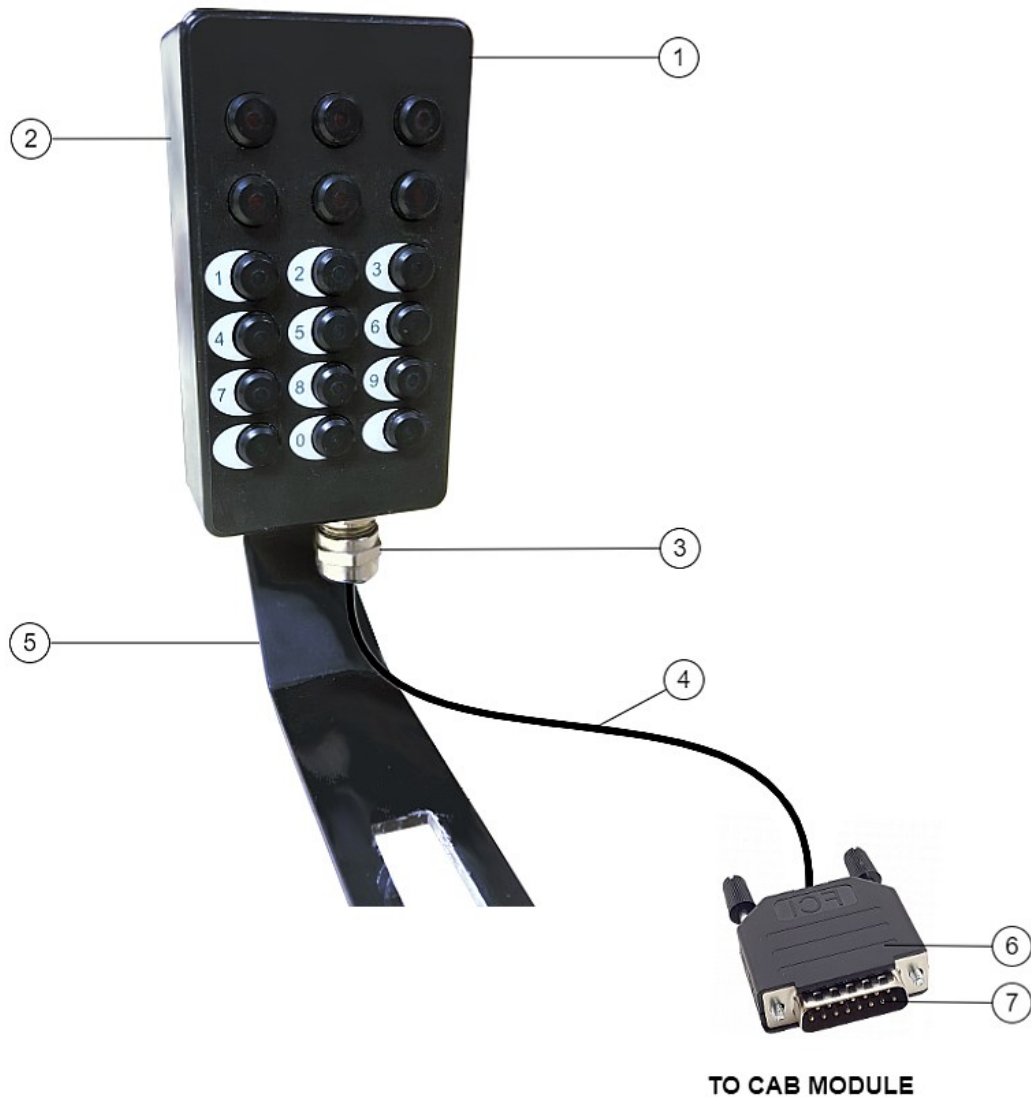
No.	Axis Part No	Qty	Description	Notes
1	HP480301	1	DANFOSS HANDLE LEFT	INCLUDES WIRING AND CONNECTOR
2	HP480401	1	DANFOSS HANDLE RIGHT	INCLUDES WIRING AND CONNECTOR
3	HP480207	2	HANDLE PART - SHELL	
4	HP480207R	1	HANDLE SHELL - PREDRILLED FOR RIGHT SIDE	
5	HP480207L	1	HANDLE SHELL - PREDRILLED FOR LEFT SIDE	
6	HP480100	1	HANDLE KIT	
7	HP480101	1	HANDLE KIT	
8	HP480206	1	TOP ROCKER	
9	HP480239	2	BACK PLATE	
10	HP480305	1	ACTIVATION BLOCK	
11	HP480504	1	SHAFT	
12	HP480204	2	SPRING	
13	HP480801	1	RETAINER	
14	HP480407	1	SPRING	
15	HP780839	4	GREEN PUSH BUTTON	
16	HP780840	2	SWITCH ON/OFF	
17	HP780841	1	POTENTIOMETER	
18	HP780842	1	SWITCH	
19	HP370201	1	HANDLE DECAL KIT	
20	HP480237	1	HANDLE STEM BASE 1/2" UNF	
21	GFB90204	2	SCREW - FITS ACTUATOR BLOCK	
22	GFB90206	2	SCREW	
23	GFB90306	4	SCREW - BUTTONHEAD	
24	GFB90312	2	SCREW - BUTTONHEAD	
25	GFB910510	2	SCREW - SOCKET SET SCREW	
26	GFB90410	2	SCREW - BUTTONHEAD	
27	GFB990408	1	SCREW - FLATHEAD	
28	GFN303	2	NUT	
29	GFN7904	2	NUT - SQUARE	
30	GFW9004	2	WAVE WASHER	
31	GFW9104	1	LOCKWASHER - CONICAL SERRATED	
32	GFW9204	1	SEAL	
33	GFW802	2	LOCKWASHER - EXTERNAL TOOTH	
34	EP455127	1	CABLE FOR DANFOSS HANDLES - FITS LH & RH	
35	EP750111	2	CONNECTOR 15 PIN - MALE	

*All manufacturers names, numbers, marks, trademarks and symbols and descriptions are used for reference purposes only. Use of parts not supplied from the original manufacturer on machines under manufacturer warranty could potentially void your manufacturer warranty. Machined parts are built by Axis, not the original manufacturer.



AXIS PRODUCTS MADE TO FIT LOGRITE ONLY

⑧ SPECIES KEYPAD REPLACEMENT WIRE ASSEMBLY KIT



*All manufacturers names, numbers, marks, trademarks and symbols and descriptions are used for reference purposes only. Use of parts not supplied from the original manufacturer on machines under manufacturer warranty could potentially void your manufacturer warranty. Machined parts are built by Axis, not the original manufacturer.

Species/Preselect Pad

No.	Axis Part No	Qty	Description	Notes
1	EP801	1	PRESELECT/SPECIES PAD	INCLUDES WIRING AND CONNECTOR
2	EP802	1	SHELL	
3	EP698710	1	GLAND	
4	EP456112	1	WIRE ASSEMBLY FOR SPECIES PAD	
5	EP801201	1	MOUNTING BRACKET	
6	EP750231	1	DB15 BACKSHELL & HOOD KIT	
7	EP750111	1	CONNECTOR 15 PIN - MALE	
8	EP456104K	1	SPECIES KEYPAD REPLACEMENT WIRE ASSEMBLY KIT	

*All manufacturers names, numbers, marks, trademarks and symbols and descriptions are used for reference purposes only. Use of parts not supplied from the original manufacturer on machines under manufacturer warranty could potentially void your manufacturer warranty. Machined parts are built by Axis, not the original manufacturer.



Axis Product to Fit LogRite Only

LIKE THE FEEL OF THE DANFOSS CONTROL HANDLE
BUT IS TIME TO REPLACE IT?
GIVE OUR BRAND A TRY!

- HIGH QAULITY PREMIUM HANDLE
- WHEN YOU GRIP IT YOU CAN FEEL THE QUALITY DIFFERENCE
- ZERO MAINTENANCE
- INCLUDES SUDE RESTS
- READY TO RUN - UNPLUG OLD ONES AND PLUG IN NEW ONES
- USES EXISTING PRESELECT KEYPAD ON THE RIGHT HANDLE



*All manufacturers names, numbers, marks, trademarks and symbols and descriptions are used for reference purposes only. Use of parts not supplied from the original manufacturer on machines under manufacturer warranty could potentially void your manufacturer warranty. Machined parts are built by Axis, not the original manufacturer.

Axis Control Handles

No.	Axis Part No	Qty	Description	Notes
1	HP370101	1	AXIS HANDLE ASSY LEFT	
2	HP370102	1	AXIS HANDLE ASSY RIGHT	
3	HP4659314	1	SWITCH	
4	HP480240	1	BRACKET, HAND REST	
5	HP480241	1	PADDED COVER	
6	HP4659308	4	ACTUATOR, F ROCKER	
7	HP4659300	1	HANDLE SHELL F SERIES	
8	HP615046	2	MOUNT ADAPTER, 1/2-20	
9	HP615047	1	MOUNT ADAPTER, M14	
10	LP480102	1	DECAL - LEFT HANDLE TOP..DELIMB OPEN/CLOSE	

*All manufacturers names, numbers, marks, trademarks and symbols and descriptions are used for reference purposes only. Use of parts not supplied from the original manufacturer on machines under manufacturer warranty could potentially void your manufacturer warranty. Machined parts are built by Axis, not the original manufacturer.

Sure Grip Control Handles

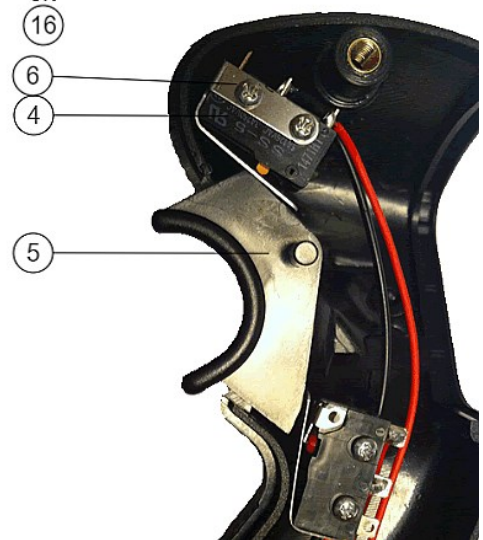


Axis Product to Fit LogRite Only



CONVERTING FROM HANDLES DANFOSS CONTROLS TO SURE GRIP/SCORPION CONTROLS?

- USES EXSISTING PRESELECT AS SHOWN
- READY TO RUN - UNPLUG OLD ONES AND PLUG IN NEW ONES



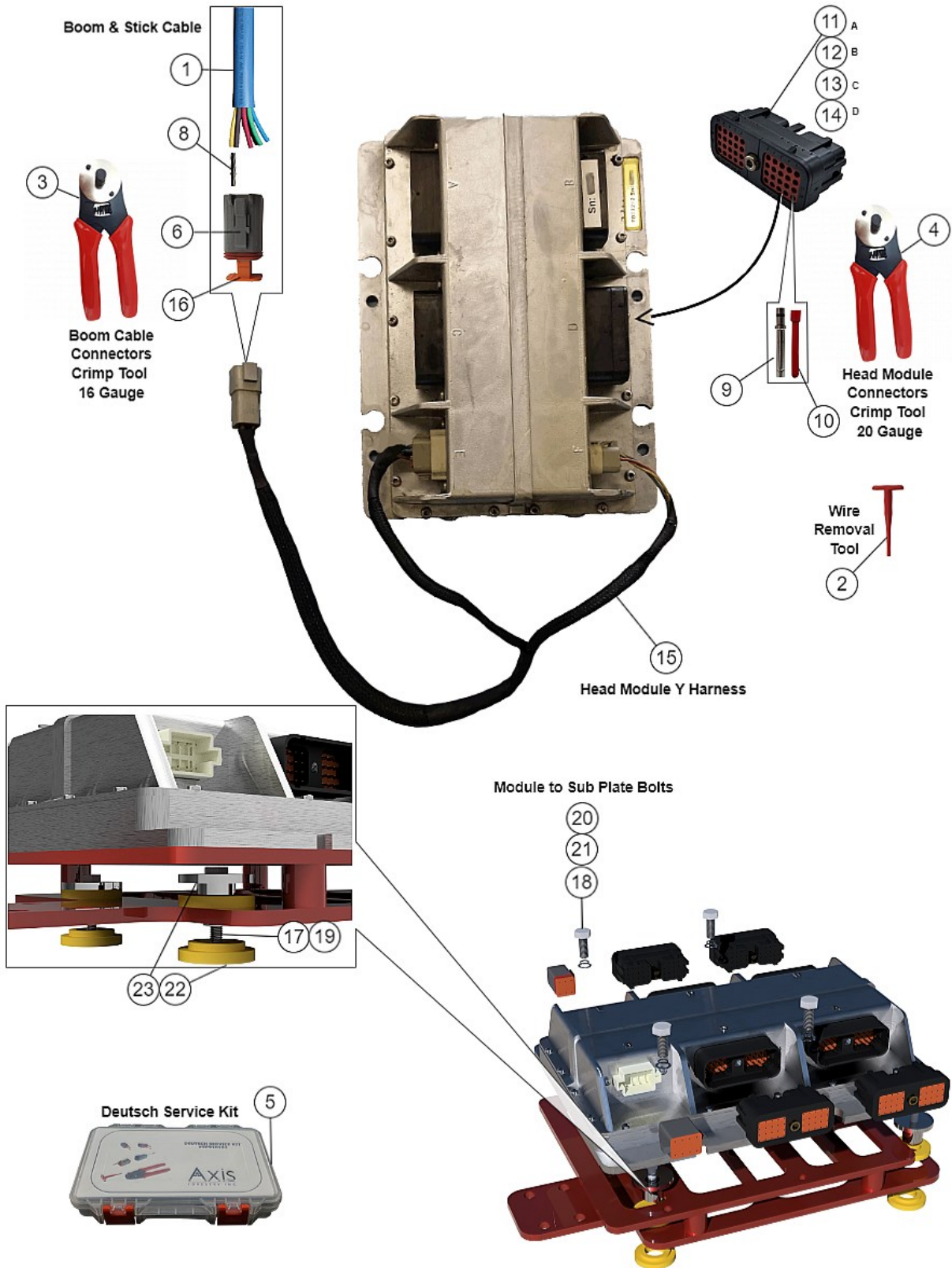
*All manufacturers names, numbers, marks, trademarks and symbols and descriptions are used for reference purposes only. Use of parts not supplied from the original manufacturer on machines under manufacturer warranty could potentially void your manufacturer warranty. Machined parts are built by Axis, not the original manufacturer.

Sure Grip Control Handles

No.	Axis Part No	Qty	Description	Notes
1	EP801	1	PRESELECT/SPECIES PAD	
2	HP615060	1	SCORPION 8 BUTTON HANDLE, LEFT SERIAL #	
3	HP615061	1	SCORPION 8 BUTTON HANDLE, RIGHT SERIAL #	
4	HP780843	1	SWITCH - SUREGRIP/SCORPION HANDLES	
5	HP615024	1	REPLACEMENT DUAL TRIGGER	
6	HP615025	1	KIT, LEAF SPRING (SCORPION HANDLES)	
7	HP615026	1	SCREW	
8	HP615022	1	OVERLAY 4 BUTTON L SERIES JOYSTICK	
9	HP615022-2	1	SCORPION 4 BUTTON OVERLAY WITH SWITCHES	
10	HP615035	1	SCORPION OVERLAY 6 BUTTON L SERIES JOYSTICK	
11	HP615043	1	OVERLAY 8 BUTTON L SERIES JOYSTICK	
12	HP615032	1	BACKING PLATE	
13	HP615027	1	SCORPION HANDLE SHELL, LEFT	
14	HP615028	1	SCORPION HANDLE SHELL, RIGHT	
15	HP615046	2	MOUNT ADAPTER, 1/2-20	
16	HP615047	1	MOUNT ADAPTER, M14	

*All manufacturers names, numbers, marks, trademarks and symbols and descriptions are used for reference purposes only. Use of parts not supplied from the original manufacturer on machines under manufacturer warranty could potentially void your manufacturer warranty. Machined parts are built by Axis, not the original manufacturer.

Head Module — Axis Product Made to Fit TimberRite

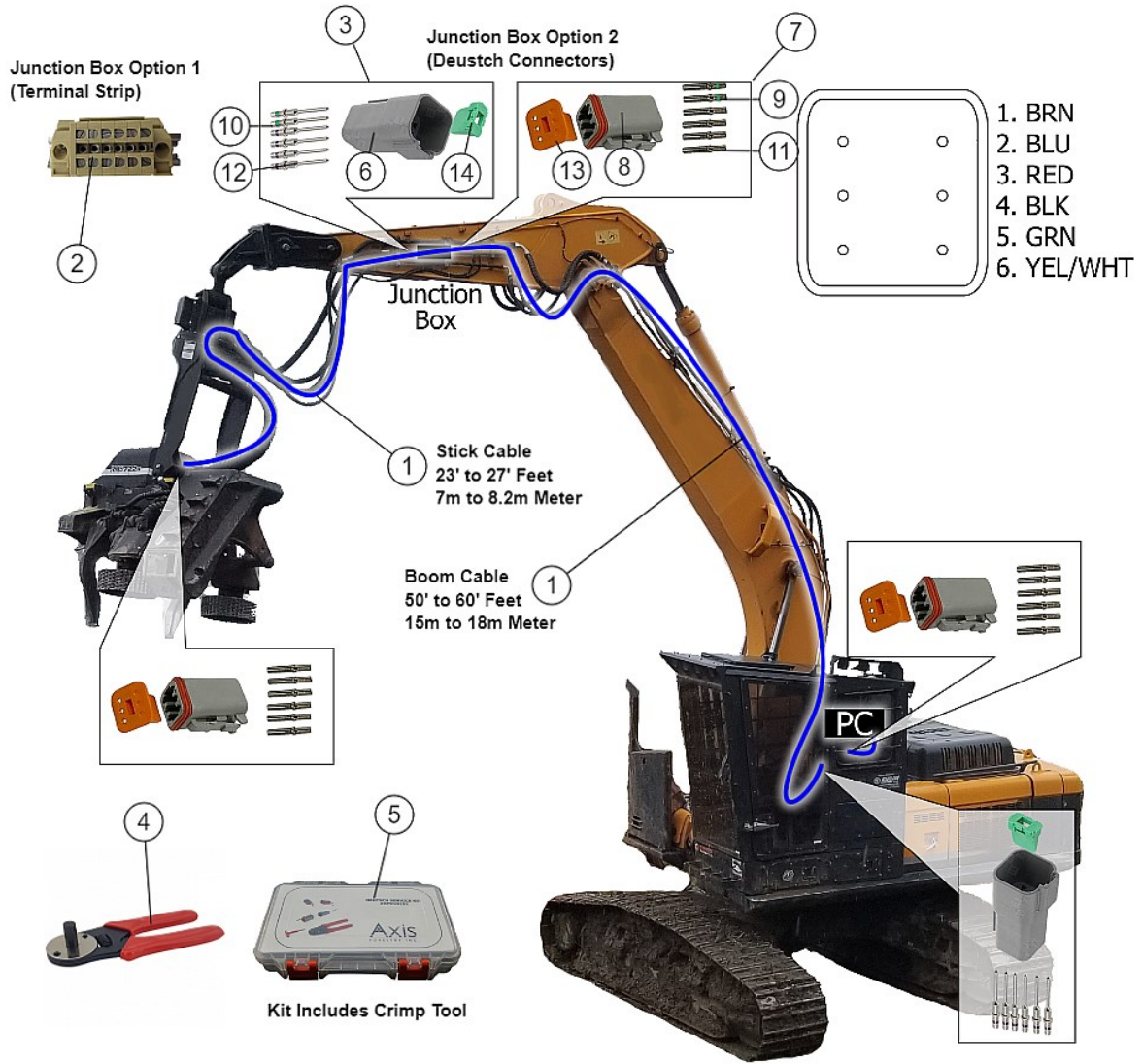


*All manufacturers names, numbers, marks, trademarks and symbols and descriptions are used for reference purposes only. Use of parts not supplied from the original manufacturer on machines under manufacturer warranty could potentially void your manufacturer warranty. Machined parts are built by Axis, not the original manufacturer.

Head Module — Axis Product Made to Fit TimberRite

No.	Axis Part No	Qty	Description	Notes
1	EP456111	83	WIRE - 6 STRAND BOOM CABLE	SOLD PER FOOT
2	EP905005	1	DEUTSCH PULLER	
3	EP910150	1	DEUTSCH CRIMP TOOL 16 GAUGE	
4	EP910151	1	DEUTSCH CRIMP TOOL 20 GAUGE	
5	EP910152	1	DEUTSCH SERVICE KIT	
6	EP910176	1	DEUTSCH PLUG 6 WIRE	
7	EP910178	1	DEUTSCH PLUG 8 WIRE	
8	EP910210	6	DEUTSCH SOCKET TERMINAL #16	
9	EP910220	1	DEUTSCH SOCKET TERMINAL #20	
10	EP910320	40	DEUTSCH #20 PLUG	
11	EP910326A	1	DEUTSCH PLUG "A KEY"	
12	EP910326B	1	DEUTSCH PLUG "B KEY"	
13	EP910326C	1	DEUTSCH PLUG "C KEY"	
14	EP910326D	1	DEUTSCH PLUG "D KEY"	
15	EP910504	1	WIRING HARNESS CONNECTORS	
16	EP920601	1	WEDGE LOCK FO 6 WIRE PLUG	
17	GFB70640	4	BOLT - M6 X 40MM HEX HEAD	
18	GFB70820	4	BOLT - M8 X 20MM	
19	GFW1250	4	WASHER - 1/4" HARDENED	
20	GFW1312	4	HARDENED WASHER - 5/16"	
21	GFW5312	4	ANTI-VIBRATION LOCKWASHER - 5/16"	
22	MR561708	8	BUSHING	
23	MR561709	4	STEEL SPACER BUSHING	

*All manufacturers names, numbers, marks, trademarks and symbols and descriptions are used for reference purposes only. Use of parts not supplied from the original manufacturer on machines under manufacturer warranty could potentially void your manufacturer warranty. Machined parts are built by Axis, not the original manufacturer.

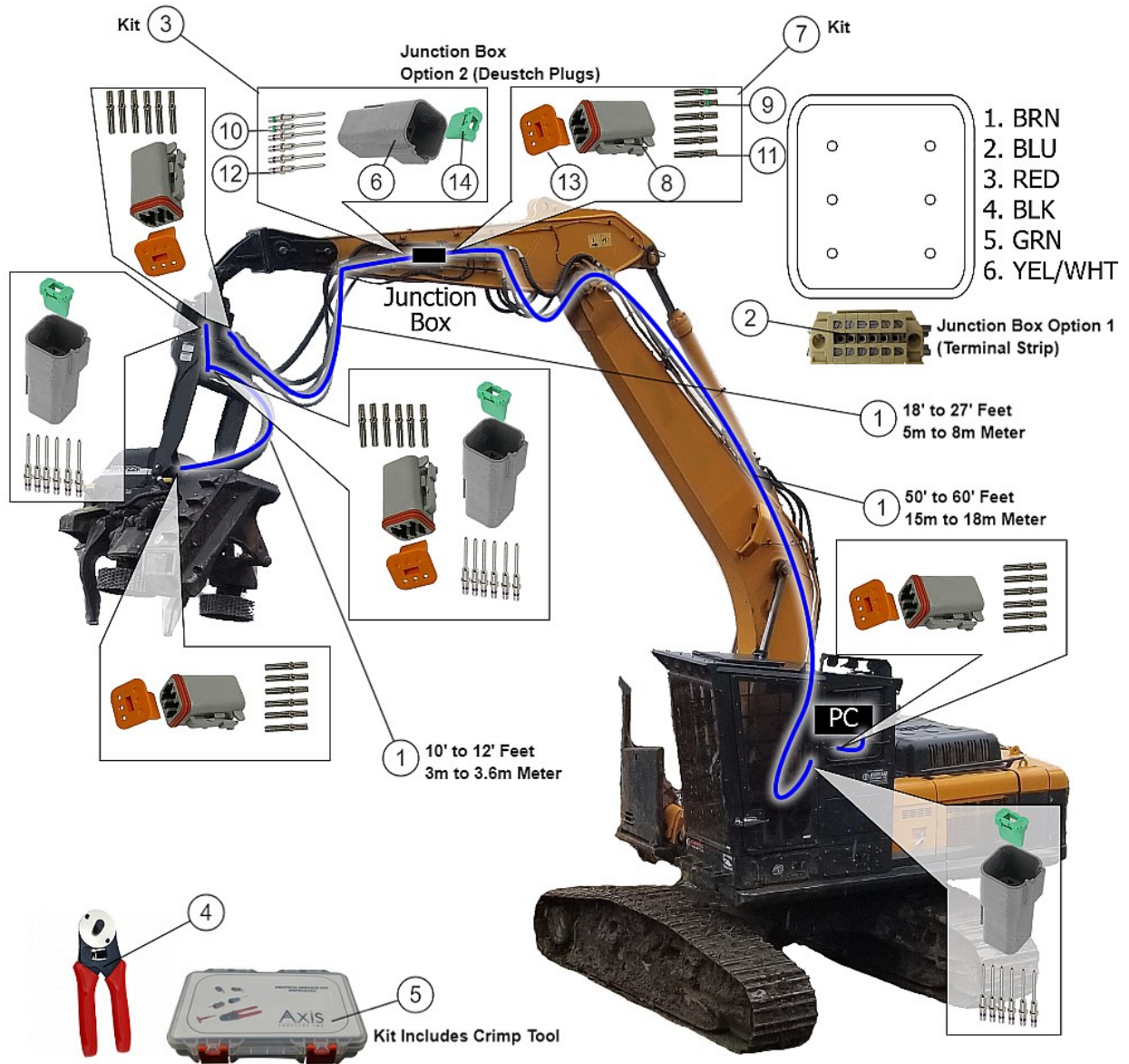


*All manufacturers names, numbers, marks, trademarks and symbols and descriptions are used for reference purposes only. Use of parts not supplied from the original manufacturer on machines under manufacturer warranty could potentially void your manufacturer warranty. Machined parts are built by Axis, not the original manufacturer.

270° Rotation Heads - Boom Wiring, Axis Product Made to Fit TimberRite

No.	Axis Part No	Qty	Description	Notes
1	EP456111	82	WIRE - 6 STRAND BOOM CABLE	SOLD PER FOOT
2	EP684013	1	TERMINAL BLOCK BOOM CABLE	
3	EP910146	2	DEUSTCH 6 PIN	
4	EP910150	1	DEUTSCH CRIMP TOOL 16 GUAGE	
5	EP910152	1	DEUTSCH SERVICE KIT	
6	EP910156	2	DEUTSCH CONNECTOR 6 PIN RECEPTACLE	
7	EP910166	3	DEUTSCH PLUG 6 WIRE WITH WEDGE LOCK & PINS	
8	EP910176	3	DEUTSCH CONNECTOR 6 WIRE PLUG	
9	EP910208	2	DEUTSCH SOCKET TERMINAL #14 WITH GREEN STRIPE	
10	EP910209	2	DEUTSCH PIN TERMINAL #14 WITH GREEN STRIPE	
11	EP910210	18	DEUTSCH SOCKET TERMINAL #16	
12	EP910211	1	DEUTSCH PIN TERMINAL #16	
13	EP920601	3	WEDGE LOCK FOR 6 WIRE PLUG	
14	EP920602	2	WEDGE LOCK FOR 6 WIRE RECEPTACLE	

*All manufacturers names, numbers, marks, trademarks and symbols and descriptions are used for reference purposes only. Use of parts not supplied from the original manufacturer on machines under manufacturer warranty could potentially void your manufacturer warranty. Machined parts are built by Axis, not the original manufacturer.



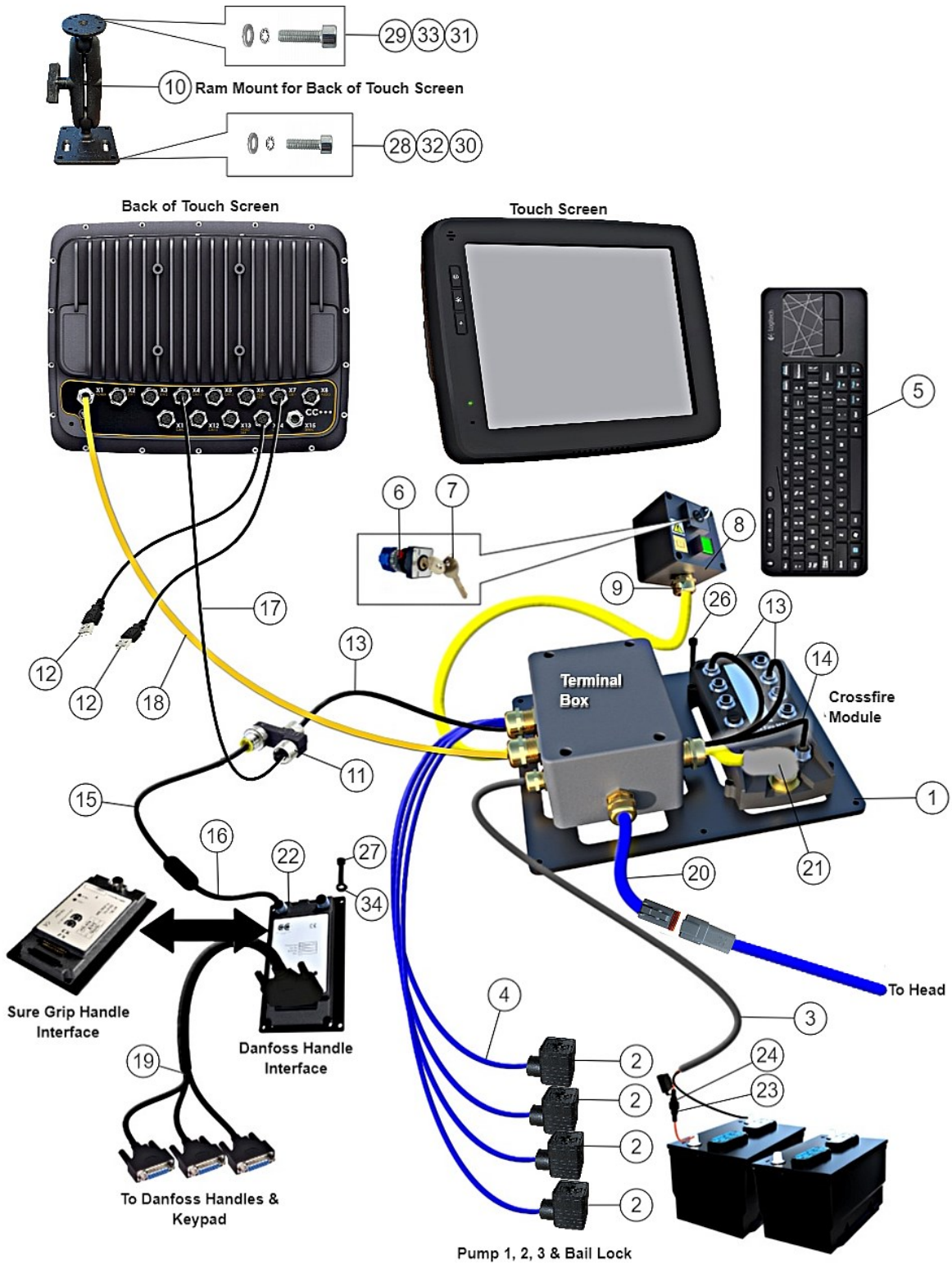
*All manufacturers names, numbers, marks, trademarks and symbols and descriptions are used for reference purposes only. Use of parts not supplied from the original manufacturer on machines under manufacturer warranty could potentially void your manufacturer warranty. Machined parts are built by Axis, not the original manufacturer.

360° Rotation Heads - Boom Wiring, Axis Product Made to Fit TimberRite

No.	Axis Part No	Qty	Description	Notes
1	EP456111	82	WIRE - 6 STRAND BOOM CABLE	SOLD PER FOOT
2	EP684013	1	TERMINAL BLOCK BOOM CABLE	
3	EP910146	2	DEUSTCH 6 PIN	
4	EP910150	1	DEUTSCH CRIMP TOOL 16 GUAGE	
5	EP910152	1	DEUTSCH SERVICE KIT	
6	EP910156	2	DEUTSCH CONNECTOR 6 PIN RECEPTACLE	
7	EP910166	3	DEUTSCH PLUG 6 WIRE WITH WEDGE LOCK & PINS	
8	EP910176	3	DEUTSCH CONNECTOR 6 WIRE PLUG	
9	EP910208	2	DEUTSCH SOCKET TERMINAL #14 WITH GREEN STRIPE	
10	EP910209	2	DEUTSCH PIN TERMINAL #14 WITH GREEN STRIPE	
11	EP910210	18	DEUTSCH SOCKET TERMINAL #16	
12	EP910211	1	DEUTSCH PIN TERMINAL #16	
13	EP920601	3	WEDGE LOCK FOR 6 WIRE PLUG	
14	EP920602	2	WEDGE LOCK FOR 6 WIRE RECEPTACLE	

*All manufacturers names, numbers, marks, trademarks and symbols and descriptions are used for reference purposes only. Use of parts not supplied from the original manufacturer on machines under manufacturer warranty could potentially void your manufacturer warranty. Machined parts are built by Axis, not the original manufacturer.

Cab Components - Axis Product Made To Fit TimberRite



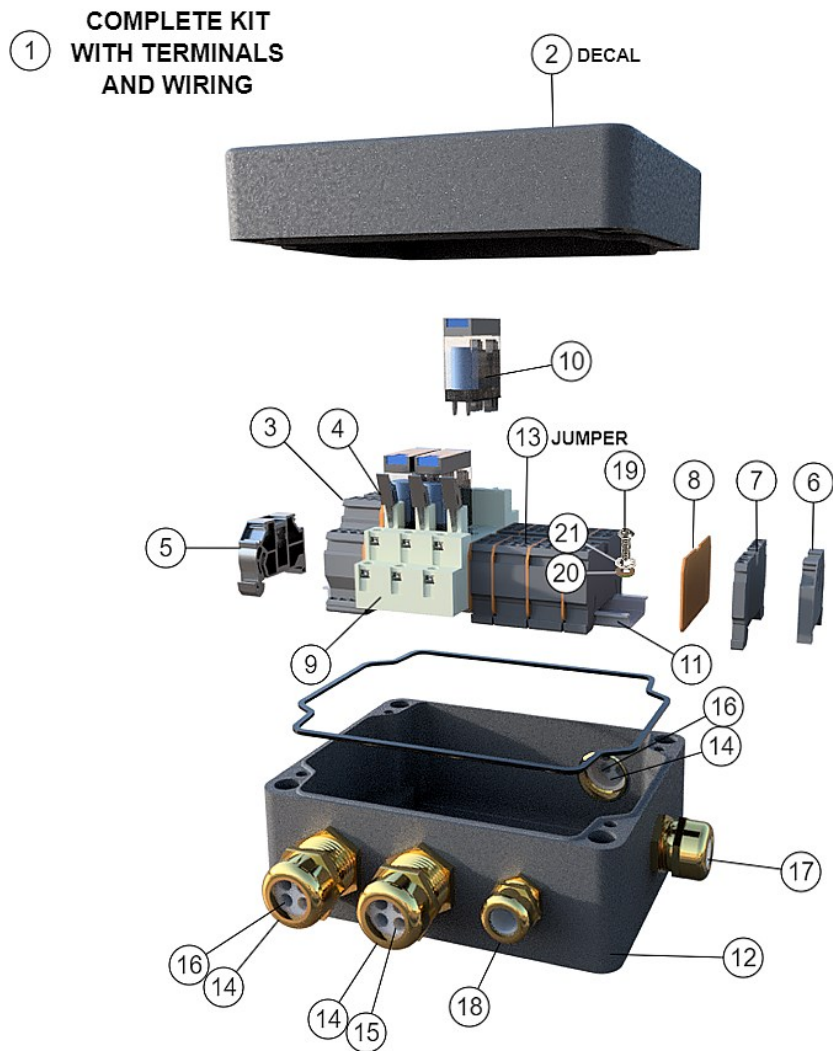
*All manufacturers names, numbers, marks, trademarks and symbols and descriptions are used for reference purposes only. Use of parts not supplied from the original manufacturer on machines under manufacturer warranty could potentially void your

Cab Components - Axis Product Made To Fit TimberRite

No.	Axis Part No	Qty	Description	Notes
1	EP100213	1	CROSSFIRE & TERMINAL BOX MOUNT PLATE	
2	EP860007	1	CANBUS TEE CONNECTOR	
3	EP860051	1	USB CABLE TO PC	
4	EP860053	1	WIRE LEAD	
5	EP860054	1	CABLE - CANBUS TO TEE	
6	EP860055	1	CABLE - CROSSFIRE CANBUS TO TERMINAL BOX	
7	EP860056	1	CABLE - CANBUS TEE TO JOYSTICK INTERFACE	
8	EP750057	1	CANBUS CABLE - DANFOSS GRIP INTERFACE	
9	EP860060	1	CABLE ASSEMBLY - DANFOSS JOYSTICK INTERFACE TO JOYSTICK & KEYPAD PLUGS	
10	GFB80405	4	BOLT S/CAP - M4 X 5MM	
11	GFB80416	4	BOLT M4 X 16MM SOCKET HEAD	
12	GFW9004	4	WAVE WASHER 4MM	
13	EP806203	1	JOYSTICK INTERFACE MOUNT	
14	EP455100	4	DIN CONNECTOR	
15	EP456113	4	BATTERY CABLE	
16	EP456126	1	CABLE - 2 CONDUCTOR BLUE JACKET	SOLD PER FOOT
17	EP624708	1	CORDLESS KEYBOARD	
18	EP683001	1	KEYSWITCH	
19	EP683002	1	REPLACEMENT KEY	
20	EP698740	1	GLAND	
21	EP687000	1	KEYSWITCH ASSEMBLY	
22	EP990001	1	INLINE FUSE HOLDER	
23	EP990002	1	FUSE	

*All manufacturers names, numbers, marks, trademarks and symbols and descriptions are used for reference purposes only. Use of parts not supplied from the original manufacturer on machines under manufacturer warranty could potentially void your manufacturer warranty. Machined parts are built by Axis, not the original manufacturer.

Terminal Box - Axis Product Made to Fit TimberRite



*All manufacturers names, numbers, marks, trademarks and symbols and descriptions are used for reference purposes only. Use of parts not supplied from the original manufacturer on machines under manufacturer warranty could potentially void your

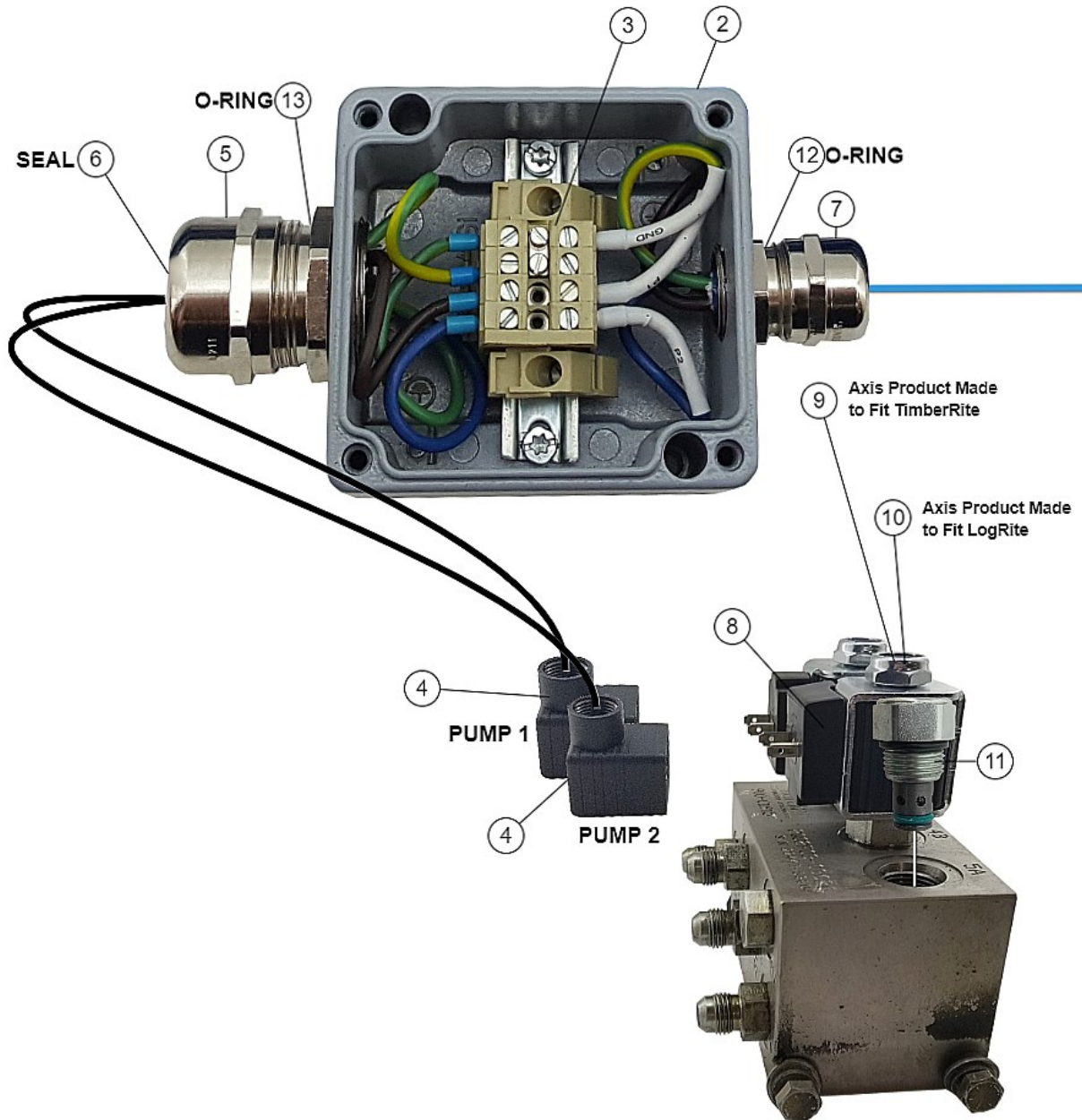
Terminal Box - Axis Product Made To Fit TimberRite

No.	Axis Part No	Qty	Description	Notes
1	EP689000	1	TERMINAL BOX COMPLETE WITH TERMINALS & WIRING	
2	EP689001	1	DECAL	
3	EP689002	1	TERMINAL BLOCK	
4	EP689003	1	END & INTERMEDIATE PLATE ORANGE	
5	EP689004	1	END STOP 10MM	
6	EP689005	1	END STOP 6MM	
7	EP689006	1	TERMINAL BLOCK	
8	EP689007	5	INTERMEDIATE PLATE ORANGE	
9	EP689009	3	RELAY BASE	
10	EP689010	3	RELAY	
11	EP689011	1	MOUNTING RAIL	
12	EP689012	1	ENCLOSURE	
13	EP900208	4	JUMPER	
14	EP698750	1	GLAND	
15	EP698280	1	INSERT 2 HOLE	
16	EP698460	1	INSERT 4 HOLE	
17	EP698740	1	GLAND	
18	EP698720	1	GLAND	
19	GFB90510	1	BOLT - M5 X 10MM BUTTONHEAD	
20	GFW105	1	WASHER - 5MM FLAT	
21	GFW605	1	WASHER - 5MM INTERNAL STAR	

*All manufacturers names, numbers, marks, trademarks and symbols and descriptions are used for reference purposes only. Use of parts not supplied from the original manufacturer on machines under manufacturer warranty could potentially void your manufacturer warranty. Machined parts are built by Axis, not the original manufacturer.

Pump Solenoids & Wiring

① COMPLETE ASSEMBLY WITH WIRING & CONNECTORS



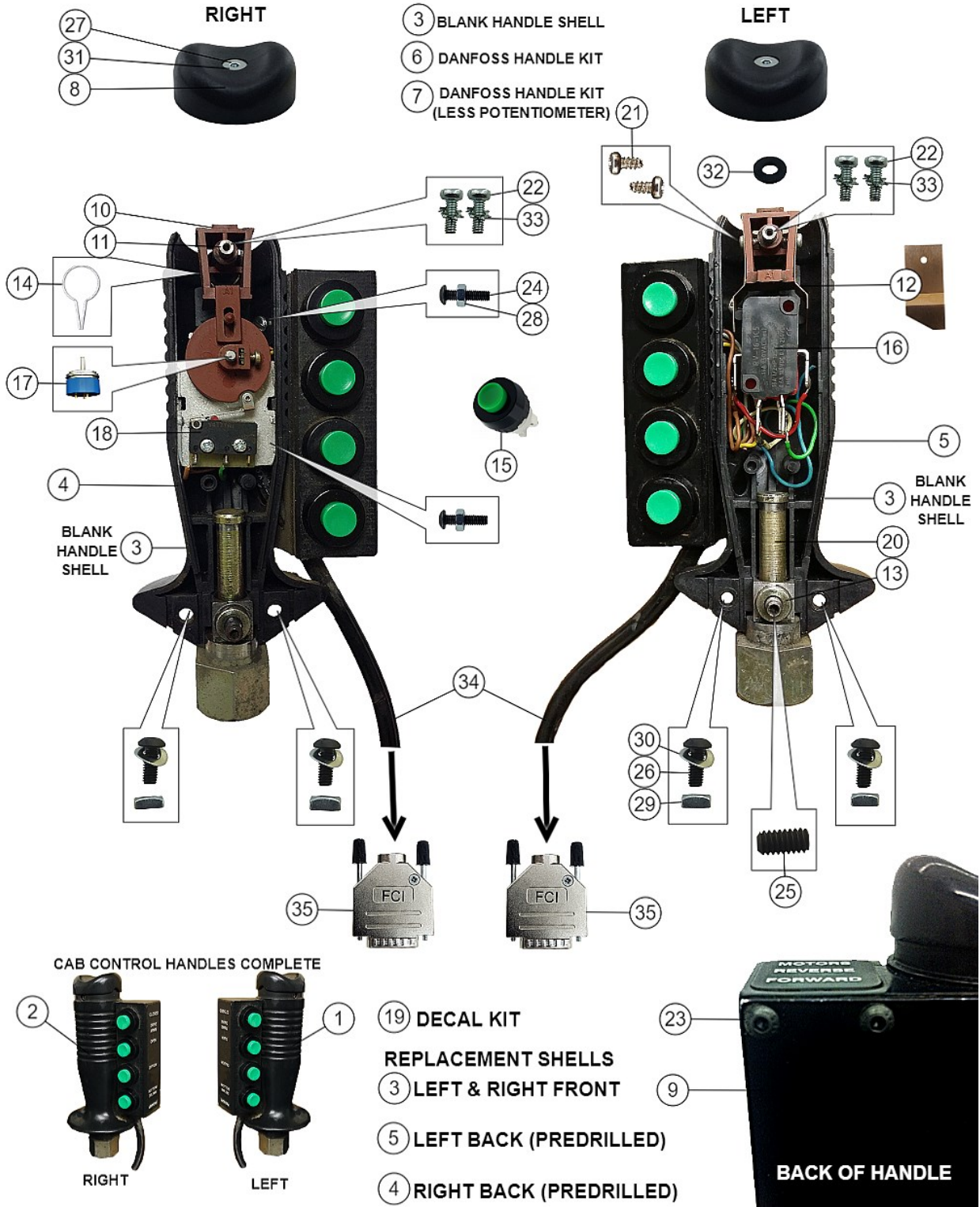
*All manufacturers names, numbers, marks, trademarks and symbols and descriptions are used for reference purposes only. Use of parts not supplied from the original manufacturer on machines under manufacturer warranty could potentially void your manufacturer warranty. Machined parts are built by Axis, not the original manufacturer.

Pump Solenoids & Wiring

No.	Axis Part No	Qty	Description	Notes	
1	EP684012	1	PUMP 1 & 2 SOLENOIDS BOX ASSEMBLY	COMPLETE ASSEMBLY	
2	EP684011	1	PUMP SOLENOID BOX		
3	EP684005	1	PUMP SOLENOID TERMINAL ASSEMBLY		
4	EP455100	3	CONNECTOR		
5	EP698750	1	GLAND		
6	EP698460	1	INSERT - 4 HOLE		
7	EP698720	1	GLAND		
8	HV350024	2	COIL		
9	HV350882	2	PUMPS 1 & 2 SOLENOID VALVE		AXIS PRODUCT MADE TO FIT TIMBERRITE
10	HV350883	2	PUMPS 1 & 2 SOLENOID VALVE		AXIS PRODUCT MADE TO FIT LOGRITE
11	HV350884	1	CHECK VALVE		
12	T282395V	1	O-RING		
13	T330377V	1	O-RING		

*All manufacturers names, numbers, marks, trademarks and symbols and descriptions are used for reference purposes only. Use of parts not supplied from the original manufacturer on machines under manufacturer warranty could potentially void your manufacturer warranty. Machined parts are built by Axis, not the original manufacturer.

Danfoss Control Handles



*All manufacturers names, numbers, marks, trademarks and symbols and descriptions are used for reference purposes only. Use of parts not supplied from the original manufacturer on machines under manufacturer warranty could potentially void your manufacturer warranty. Machined parts are built by Axis, not the original manufacturer.

Danfoss Control Handles

No.	Axis Part No	Qty	Description	Notes
1	HP480301	1	DANFOSS HANDLE LEFT	INCLUDES WIRING AND CONNECTOR
2	HP480401	1	DANFOSS HANDLE RIGHT	INCLUDES WIRING AND CONNECTOR
3	HP480207	2	HANDLE PART - SHELL	
4	HP480207R	1	HANDLE SHELL - PREDRILLED FOR RIGHT SIDE	
5	HP480207L	1	HANDLE SHELL - PREDRILLED FOR LEFT SIDE	
6	HP480100	1	HANDLE KIT	
7	HP480101	1	HANDLE KIT	
8	HP480206	1	TOP ROCKER	
9	HP480239	2	BACK PLATE	
10	HP480305	1	ACTIVATION BLOCK	
11	HP480504	1	SHAFT	
12	HP480204	2	SPRING	
13	HP480801	1	RETAINER	
14	HP480407	1	SPRING	
15	HP780839	4	GREEN PUSH BUTTON	
16	HP780840	2	SWITCH ON/OFF	
17	HP780841	1	POTENTIOMETER	
18	HP780842	1	SWITCH	
19	HP370201	1	HANDLE DECAL KIT	
20	HP480237	1	HANDLE STEM BASE 1/2" UNF	
21	GFB90204	2	SCREW - FITS ACTUATOR BLOCK	
22	GFB90206	2	SCREW	
23	GFB90306	4	SCREW - BUTTONHEAD	
24	GFB90312	2	SCREW - BUTTONHEAD	
25	GFB910510	2	SCREW - SOCKET SET SCREW	
26	GFB90410	2	SCREW - BUTTONHEAD	
27	GFB990408	1	SCREW - FLATHEAD	
28	GFN303	2	NUT	
29	GFN7904	2	NUT - SQUARE	
30	GFW9004	2	WAVE WASHER	
31	GFW9104	1	LOCKWASHER - CONICAL SERRATED	
32	GFW9204	1	SEAL	
33	GFW802	2	LOCKWASHER - EXTERNAL TOOTH	
34	EP455127	1	CABLE FOR DANFOSS HANDLES - FITS LH & RH	
35	EP750111	2	CONNECTOR 15 PIN - MALE	

*All manufacturers names, numbers, marks, trademarks and symbols and descriptions are used for reference purposes only. Use of parts not supplied from the original manufacturer on machines under manufacturer warranty could potentially void your manufacturer warranty. Machined parts are built by Axis, not the original manufacturer.

Danfoss Species/Preselect Keypad



Axis Product Made to Fit TimberRite only



*All manufacturers names, numbers, marks, trademarks and symbols and descriptions are used for reference purposes only. Use of parts not supplied from the original manufacturer on machines under manufacturer warranty could potentially void your manufacturer warranty. Machined parts are built by Axis, not the original manufacturer.

Danfoss Species/Preselect Keypad

No.	Axis Part No	Qty	Description	Notes
1	EP808	1	KEYPAD ASSEMBLY COMPLETE	INCLUDES WIRING AND CONNECTOR REQUIRES 12 FEET/3.65 Meters
2	EP802-1	1	OVERLAY DECAL	
3	EP802	1	REPLACEMENT BOX PREDRILLED	
4	EP698710	1	CABLE GLAND	
5	EP801201	1	BRACKET	
6	EP750231	1	BACKSHELL COVER	
7	EP750111	1	CONNECTOR	
8	EP456125	2	CABLE	

*All manufacturers names, numbers, marks, trademarks and symbols and descriptions are used for reference purposes only. Use of parts not supplied from the original manufacturer on machines under manufacturer warranty could potentially void your manufacturer warranty. Machined parts are built by Axis, not the original manufacturer.

Sure Grip Control Handles



Axis Product to Fit TimberRite Only

⑪ HANDLE SPARE PARTS KIT



*All manufacturers names, numbers, marks, trademarks and symbols and descriptions are used for reference purposes only. Use of parts not supplied from the original manufacturer on machines under manufacturer warranty could potentially void your manufacturer warranty. Machined parts are built by Axis, not the original manufacturer.

Sure Grip Control Handles

No.	Axis Part No	Qty	Description	Notes
1	HP618020	1	LEFT HANDLE	
2	HP618021	1	RIGHT HANDLE	
3	HP780843	1	SWITCH - SUREGRIP/SCORPION HANDLES	
4	HP615024	1	REPLACEMENT DUAL TRIGGER	
5	HP615025	1	KIT, LEAF SPRING (SCORPION HANDLES)	
6	HP615026	1	SCREW	
7	HP615043	1	OVERLAY 8 BUTTON L SERIES JOYSTICK	
8	HP615032	1	BACKING PLATE	
9	HP615027	1	SCORPION HANDLE SHELL, LEFT	
10	HP615028	1	SCORPION HANDLE SHELL, RIGHT	
11	HP615041	1	SCORPION HANDLE SPARE PARTS KIT	
12	HP615046	2	MOUNT ADAPTER, 1/2-20	
13	HP615047	1	MOUNT ADAPTER, M14	

*All manufacturers names, numbers, marks, trademarks and symbols and descriptions are used for reference purposes only. Use of parts not supplied from the original manufacturer on machines under manufacturer warranty could potentially void your manufacturer warranty. Machined parts are built by Axis, not the original manufacturer.

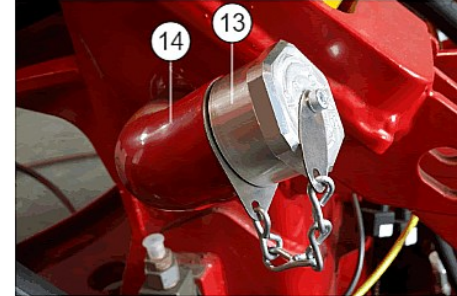




**Top Saw Bar & Chain Serial
001-114**



**Top Saw Bar & Chain Serial
114+**



Main Saw 3/4 Bar & Chain



**Main Saw 3/4 Bar & Chain
(Optional)**



Main Saw Bar & Chain 404



**Main Saw Bar & Chain 404
(Optional)**

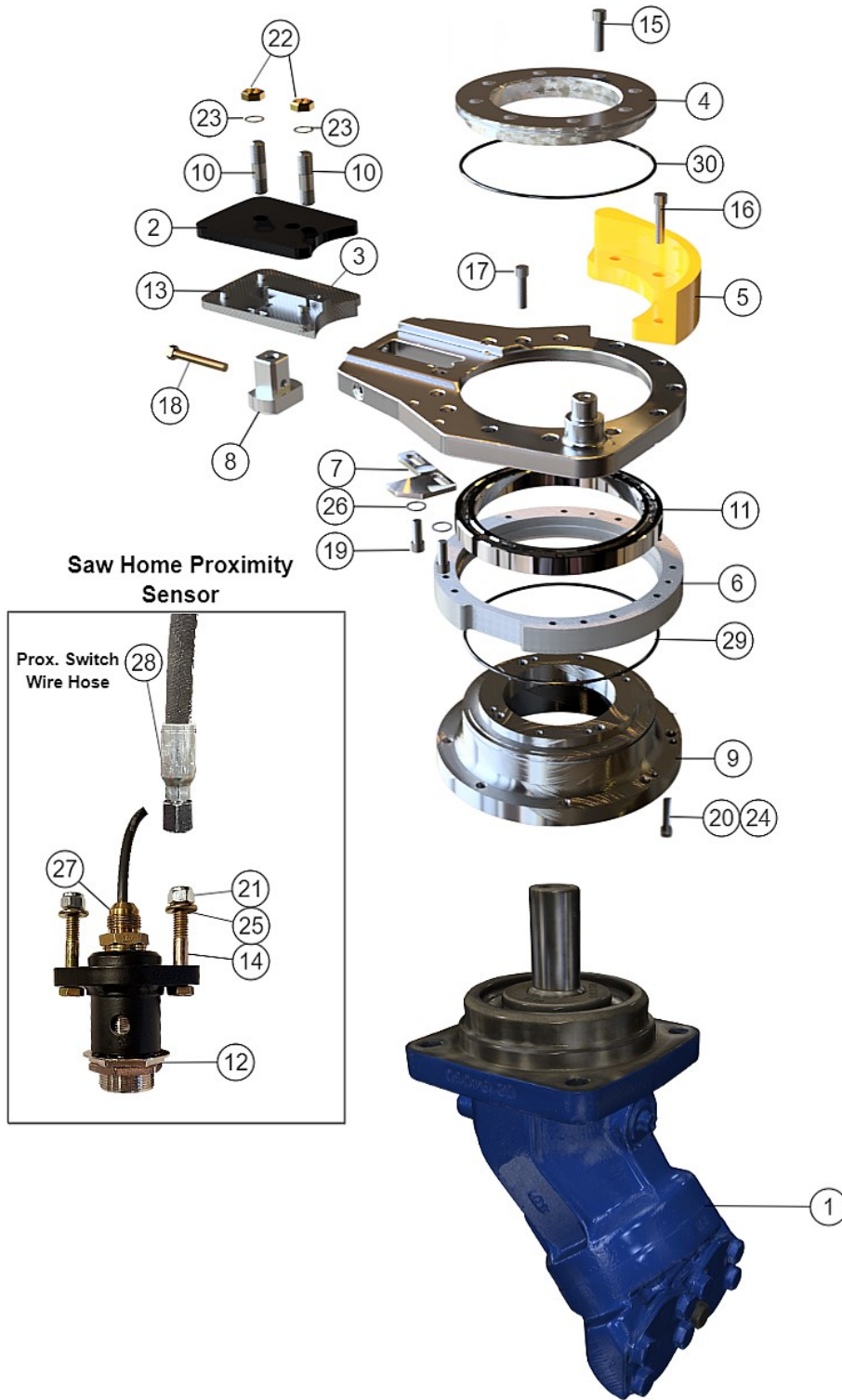
*All manufacturers names, numbers, marks, trademarks and symbols and descriptions are used for reference purposes only. Use of parts not supplied from the original manufacturer on machines under manufacturer warranty could potentially void your manufacturer warranty. Machined parts are built by Axis, not the original manufacturer.

Bar and Chain

No.	Axis Part No	Qty	Description	Notes
1	ORE422HSFM104	1	SAW BAR, 42CM	
2	ORE18HX056E	1	SAW CHAIN, .404, 56 DRIVER	
3	ORE642SMRQ114	1	64CM SPEEDMAX BAR- TOP SAW	
4	ORE18HX074E	1	SAW CHAIN, .404, 74 DRIVER	
5	ORE361SNCT146	1	SAW BAR 3/4 x 36" MAIN SAW	
6	ORE11H057E	1	SAW CHAIN, 3/4", 57 DRIVER	
7	ORE381SNCT146	1	SAW BAR 3/4 x 38" FITS WARATAH	
8	ORE11H060E	1	SAW CHAIN, 3/4", 60 DRIVER	
9	ORE802HSFN114	1	SAW BAR 80cm	
10	ORE18HX099E	1	SAW CHAIN, .404, 99 DRIVER	
11	ORE902HSFN114	1	SAW BAR 90cm	
12	ORE18HX101E	1	SAW CHAIN, .404, 101 DRIVER	
13	GC100100	1	OIL FILL CAP	
14	MK189141	1	OIL TANK SPOUT, 620, 622W, 622B	

*All manufacturers names, numbers, marks, trademarks and symbols and descriptions are used for reference purposes only. Use of parts not supplied from the original manufacturer on machines under manufacturer warranty could potentially void your manufacturer warranty. Machined parts are built by Axis, not the original manufacturer.

Axis 3/4" Main Saw



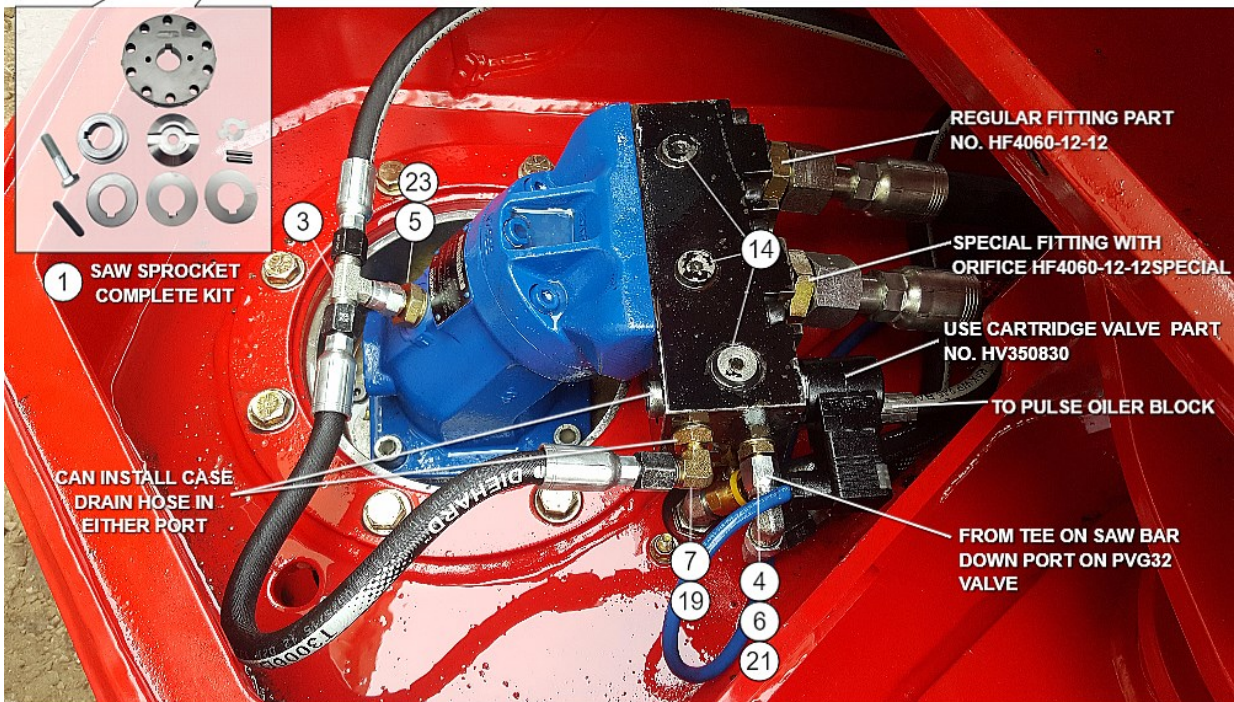
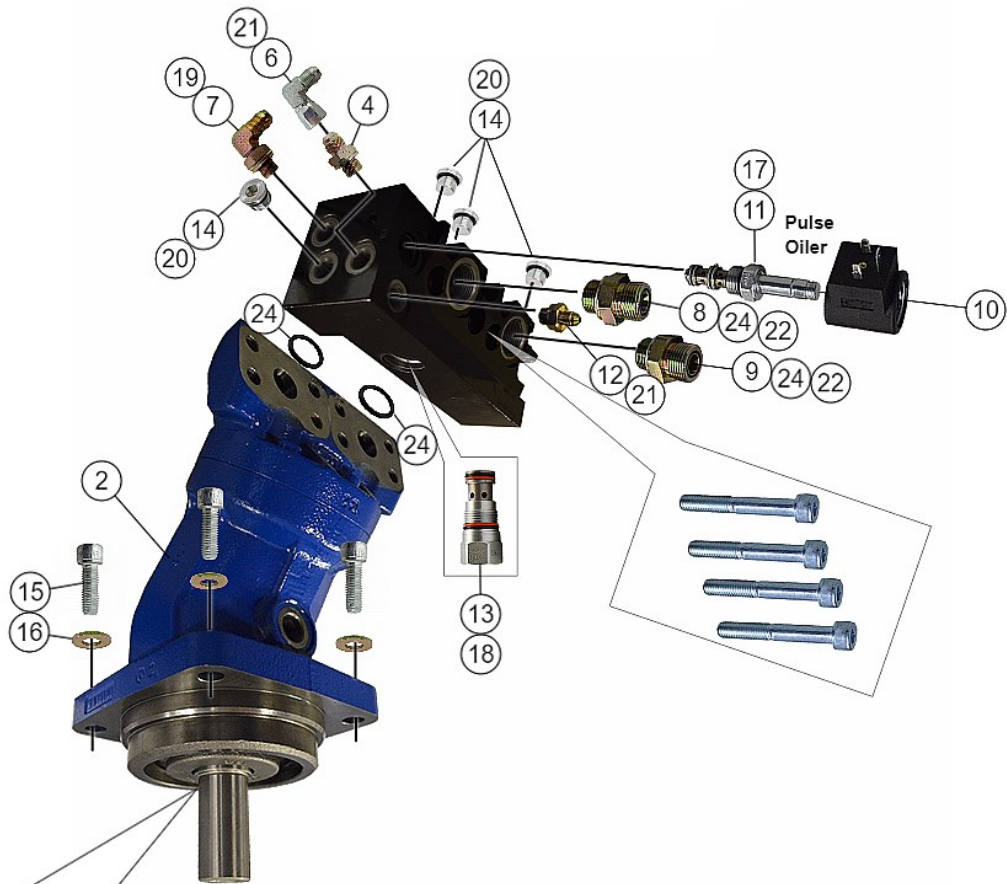
*All manufacturers names, numbers, marks, trademarks and symbols and descriptions are used for reference purposes only. Use of parts not supplied from the original manufacturer on machines under manufacturer warranty could potentially void your manufacturer warranty. Machined parts are built by Axis, not the original manufacturer.

Axis 3/4" Main Saw

No.	Axis Part No	Qty	Description	Notes
1	MT434001	1	MOTOR, 3/4 SAW	
2	MS435706	1	PLATE, 3/4 BAR CLAMP	
3	MS435707	1	3/4 SAW BAR MOUNT PLATE	
4	MS435708	1	RETAINER, 3/4 SAW	
5	MS435015	1	3 BOLT CHAIN SHOT GUARD	
6	MS434703	1	RING, 3/4 SAW	
7	MS435724	1	MOUNT, PROXIMITY SWITCH	
8	MS434003	1	ADJUSTER BLOCK	
9	MS435702	1	SPACER RING	
10	MS434708	2	STUD COARSE THREAD	
11	BR115759	1	BEARING	
12	EP455105	1	PROXIMITY SWITCH	
13	DP130020	4	DOWEL PIN, FITS MS435707	
14	GFB1312200	2	BOLT, 5/16 X 2" UNC HEX	
15	GFB3375125	8	BOLT, 3/8" X 1.25" SOCKET HEAD	
16	GFB3375200	3	BOLT, 3/8" X 2" UNC SOCKET HEAD	
17	GFB3375150	10	BOLT, 3/8 X 1 1/2" SOCKET HEAD	
18	GFB1437300FT	1	BOLT, 7/16 X 3 FT UNC	
19	GFB1375100	2	BOLT, 3/8" X 1" UNC HEX	
20	GFB1500200	8	BOLT, 1/2" X 2" UNC HEX	
21	GFN4312	2	NUT - NYLOCK 5/16" UNC	
22	GFN8625	2	NUT, 5/8" UNC STOVER	
23	GFW1625	2	HARDENED WASHER, 5/8"	
24	GFW1500	8	WASHER, 1/2" HARDENED	
25	GFW1312	2	WASHER, 5/16" HARDENED	
26	GFW1375	2	WASHER. 3/8" HARDENED	
27	HF2040-8-6	1	FITTING, #8 JIC MALE X #6 BSPP MALE	
28	H4352220	1	HYDRAULIC HOSE	
29	R24575A	1	O-RING (Fits WA102392)	
30	R24572C	1	O-RING	

*All manufacturers names, numbers, marks, trademarks and symbols and descriptions are used for reference purposes only. Use of parts not supplied from the original manufacturer on machines under manufacturer warranty could potentially void your manufacturer warranty. Machined parts are built by Axis, not the original manufacturer.

Axis 3/4" Main Saw Motor Mounting



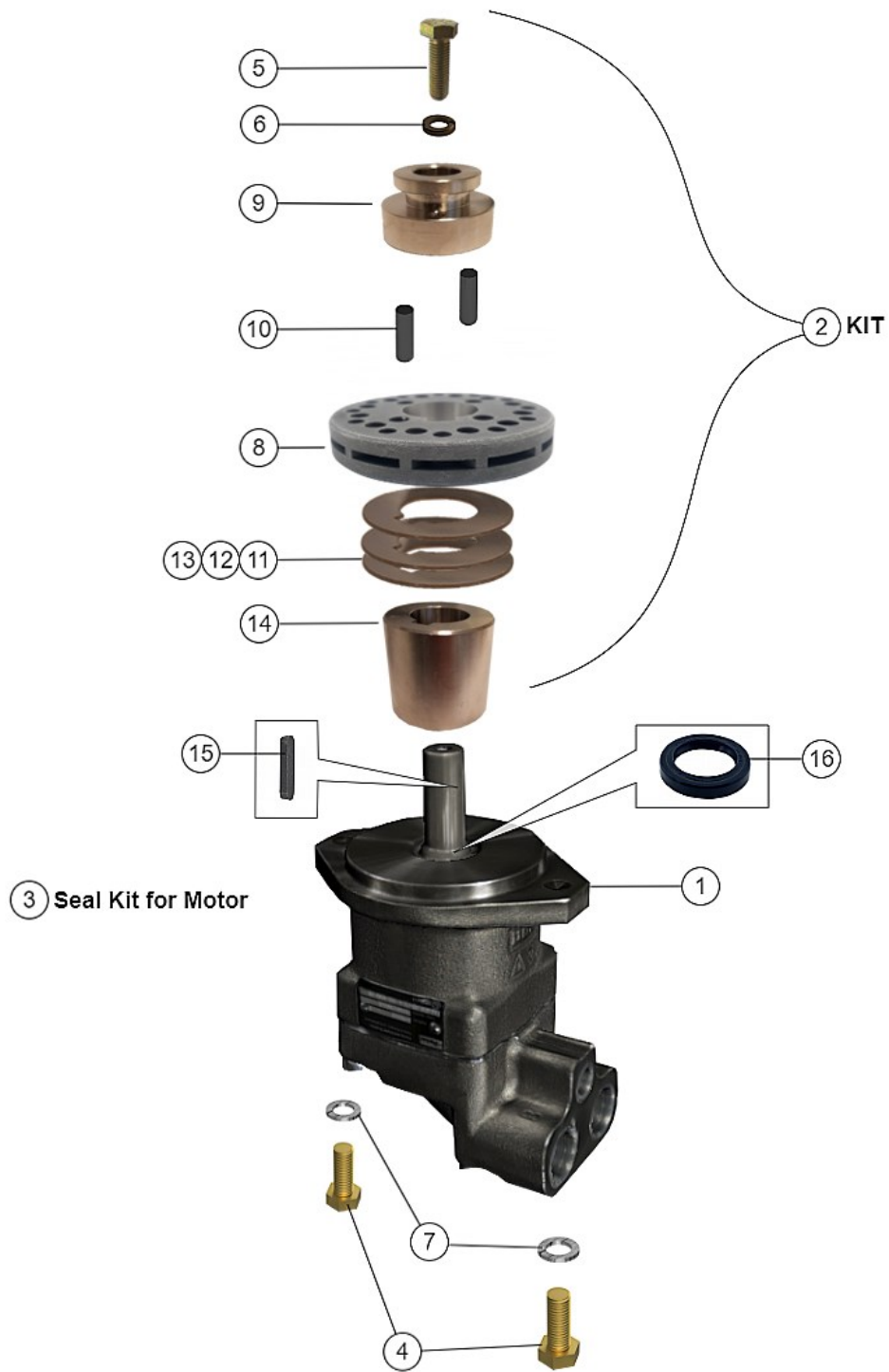
*All manufacturers names, numbers, marks, trademarks and symbols and descriptions are used for reference purposes only. Use of parts not supplied from the original manufacturer on machines under manufacturer warranty could potentially void your manufacturer warranty. Machined parts are built by Axis, not the original manufacturer.

Axis 3/4" Main Saw Motor Mounting

No.	Axis Part No	Qty	Description	Notes
1	MS434000	1	3/4 SAW SPROCKET KIT	
2	MT434001	1	MOTOR - 3/4 SAW	
3	HF203020-6-6-6	1	TEE FITTING - #6 JIC M/F/M	
4	HF2040-6-4	1	FITTING - #6 JIC MALE X #4 BSPP MALE	
5	HF2091-6-18	1	FITTING - #6 JIC MALE X M18 X 1.5 MALE	
6	HF2939-6-6	1	FITTING - #6 JIC MALE X #6 JIC FEMALE 90 DEGREE	
7	HF2949-6-4	1	FITTING - #6 JIC X #4 MBSP 90 DEGREE	
8	HF4060-12-12SPECIAL	1	FITTING - #12 BSPP TO #12 ORFS	
9	HF4060-12-12	1	FITTING, #12 BSPP MALE X #12 ORFS MALE	
10	HV356306	1	COIL	
11	HV350830	1	CARTRIDGE VALVE - PULSE OILER	
12	HF2040-4-4	1	FITTING - #4 JIC MALE X #4 BSPP MALE	
13	HV350791	1	CHECK VALVE SUPERCUT STD SAW	
14	HF41-4	4	PLUG - #4 BSP ROUND ALLEN HEAD	
15	GFB3500150	4	BOLT - 1/2 X 1.50" UNC SOCKET HEAD	
16	GFW1500	4	WASHER - 1/2" HARDENED	
17	SK350830	1	SEAL KIT	
18	SK350791	1	SEAL KIT	
19	ORB3-906	1	VITON #6 ORB ORING	
20	ED4	4	SPECIAL BSPP SEAL #4	
21	BSP4	1	BSPP BONDED SEAL #4	
22	BSP12	2	BSPP BONDED SEAL #12	
23	BSP18M	1	METRIC BONDED SEAL M18	
24	R24523C	2	O-RING	

*All manufacturers names, numbers, marks, trademarks and symbols and descriptions are used for reference purposes only. Use of parts not supplied from the original manufacturer on machines under manufacturer warranty could potentially void your manufacturer warranty. Machined parts are built by Axis, not the original manufacturer.

Axis Top Saw Motor and Sprocket Assembly

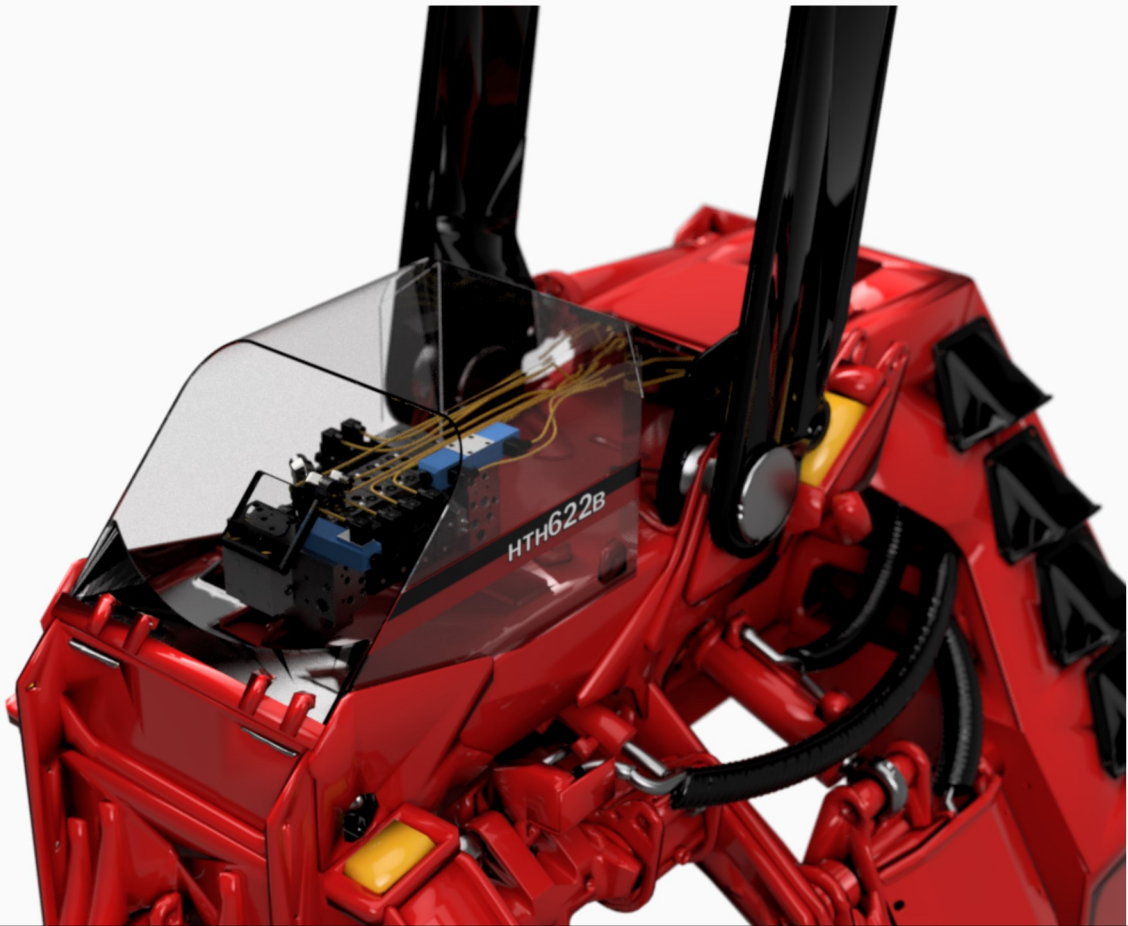


*All manufacturers names, numbers, marks, trademarks and symbols and descriptions are used for reference purposes only. Use of parts not supplied from the original manufacturer on machines under manufacturer warranty could potentially void your manufacturer warranty. Machined parts are built by Axis, not the original manufacturer.

Axis Top Saw Motor and Sprocket Assembly

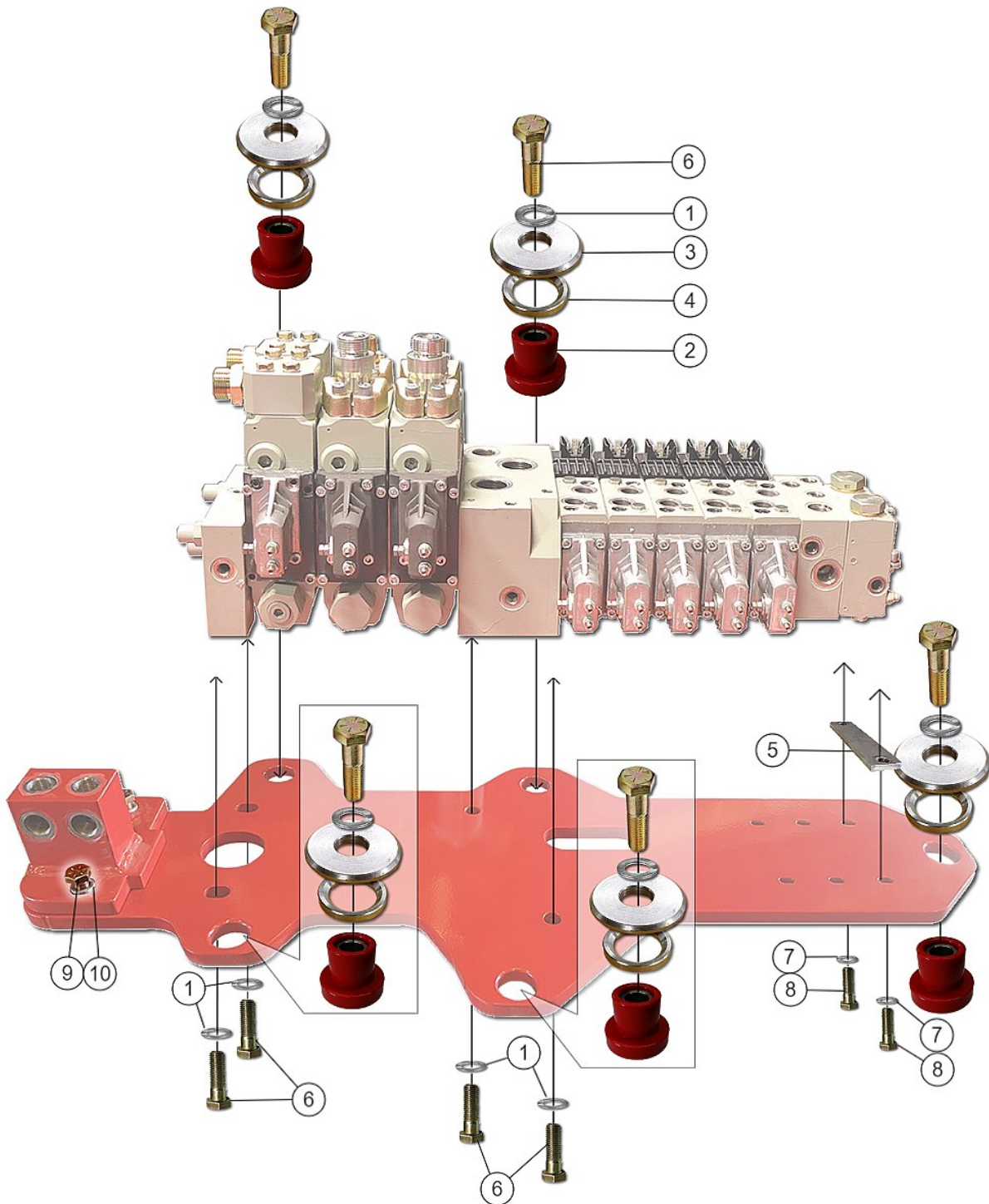
No.	Axis Part No	Qty	Description	Notes
1	MT945300	1	SAW MOTOR	
2	TS945000	1	SPROCKET KIT	
3	SK945300	1	TOP SAW MOTOR SEAL KIT	
4	GFB1500125	2	BOLT - 1/2" X 1.25" UNC HEX	
5	GFB70625	1	BOLT - M6 X 25MM HEX HEAD	
6	GFW5250	1	ANTI-VIBRATION LOCKWASHER 1/4"	
7	GFW5500	2	ANTI-VIBRATION LOCKWASHER 1/2"	
8	RSB11-404	1	SPROCKET 11T	
9	TS945001	1	CHAIN CATCHER	
10	TS945620	2	DOWEL PIN	
11	TS945025	1	SHIM - 0.25MM	
12	TS945050	1	SHIM - 0.50MM	
13	TS945100	1	SHIM - 1.00MM	
14	TS945004	1	SPACER	
15	TS945635	1	KEYWAY	
16	SS523004	1	SHAFT SEAL	

*All manufacturers names, numbers, marks, trademarks and symbols and descriptions are used for reference purposes only. Use of parts not supplied from the original manufacturer on machines under manufacturer warranty could potentially void your manufacturer warranty. Machined parts are built by Axis, not the original manufacturer.



VALVE BANK GROUP

Axis Valve Bank Mounting



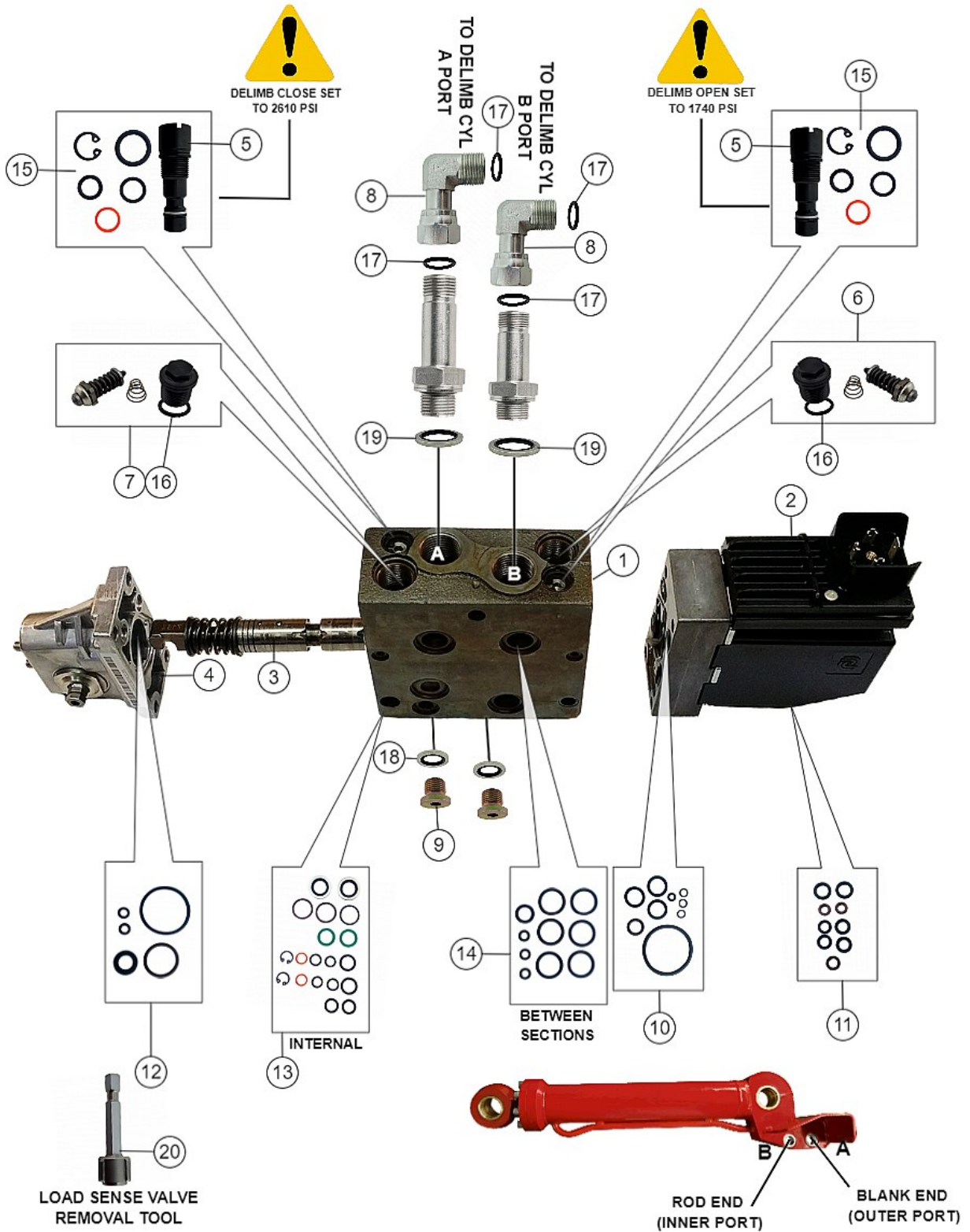
*All manufacturers names, numbers, marks, trademarks and symbols and descriptions are used for reference purposes only. Use of parts not supplied from the original manufacturer on machines under manufacturer warranty could potentially void your manufacturer warranty. Machined parts are built by Axis, not the original manufacturer.

Axis Valve Bank Mounting

No.	Axis Part No	Qty	Description	Notes
1	GFW5625	1	ANTIVIBRATION LOCKWASHER 5/8" (M16)	
2	MR561051	1	VALVE BANK MOUNT	
3	MR561052	1	WASHER, STEPPED	
4	MR561053	1	WASHER,SPACER	
5	MR561054	1	SPACER, VALVE BANK 624	
6	GFB1625200	1	BOLT 5/8 X 2"	
7	GFW5312	1	ANTI-VIBRATION LOCKWASHER 5/16 (M8)	
8	GFB70835	1	BOLT, M8 X 35 HEX HEAD	
9	GFB1500125	1	BOLT, 1/2" X 1.25" UNC HEX	
10	GFW5500	1	ANTI-VIBRATION LOCKWASHER 1/2" (M12)	

*All manufacturers names, numbers, marks, trademarks and symbols and descriptions are used for reference purposes only. Use of parts not supplied from the original manufacturer on machines under manufacturer warranty could potentially void your manufacturer warranty. Machined parts are built by Axis, not the original manufacturer.

Delimb Manifold



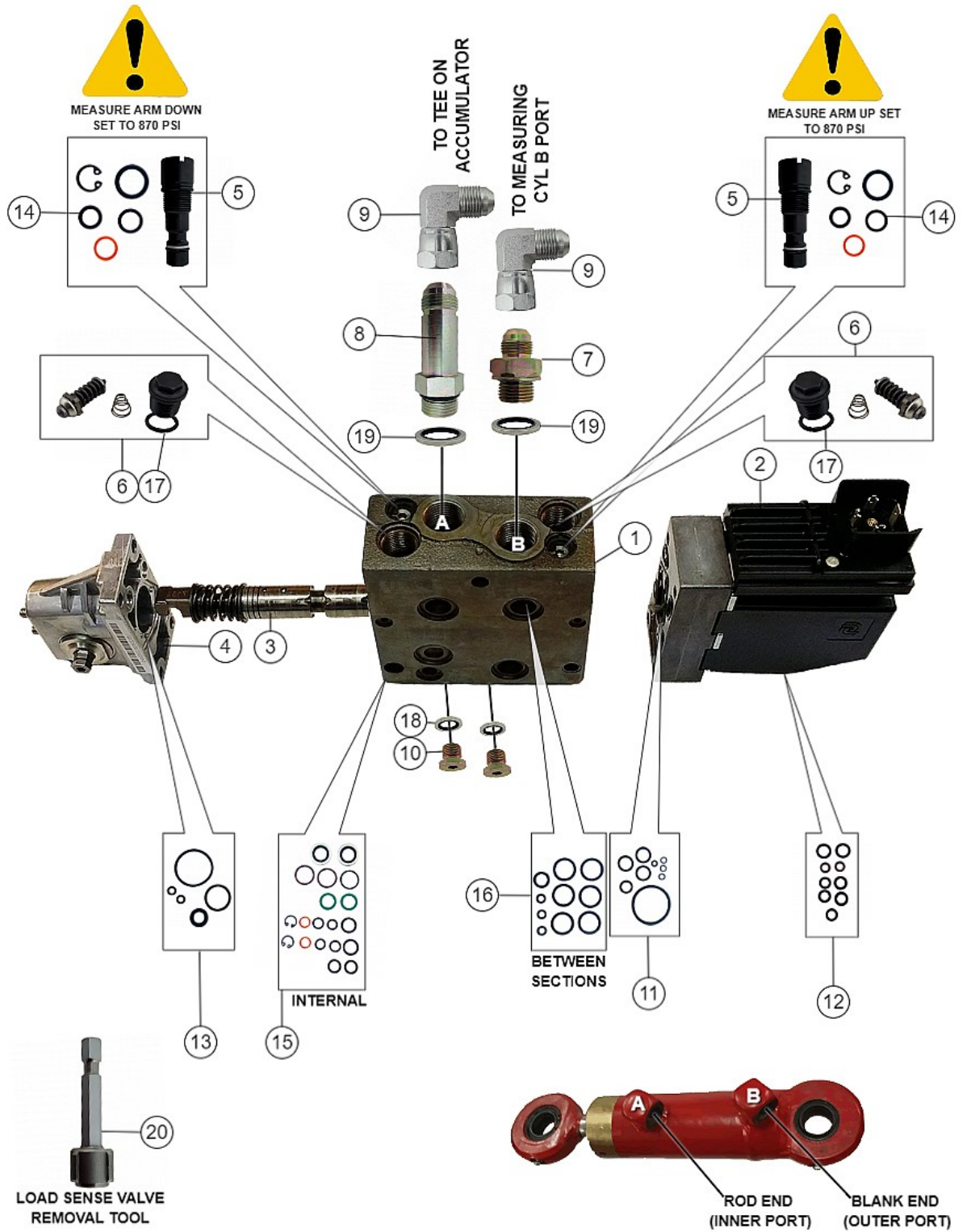
*All manufacturers names, numbers, marks, trademarks and symbols and descriptions are used for reference purposes only. Use of parts not supplied from the original manufacturer on machines under manufacturer warranty could potentially void your manufacturer warranty. Machined parts are built by Axis, not the original manufacturer.

Delimb Manifold

No.	Axis Part No	Qty	Description	Notes
1	HV226233	1	VALVE BLOCK	
2	HC224333	1	VALVE/COIL - PROPORTIONAL SN#	
3	HV299550	1	SPOOL	
4	HC223173	1	MANUAL ACTUATOR	
5	HV290905	2	LOAD SENSE VALVE	
6	HV292150	2	SHOCK VALVE - 150 BAR	
7	HV292210	1	SHOCK VALVE - 210 BAR	
8	HF7969-8-8	2	FITTING - #8 ORFS MALE X #8 ORFS FEMALE 90 DEG	
9	HF41-4	2	PLUG - #4 BSP ROUND ALLEN HEAD	
10	SK224033	1	SEAL KIT - ON/OFF & PROPORTIONAL VALVE	
11	SK224033B	1	SEAL KIT - ON/OFF & PROPORTIONAL VALVES	INTERNAL
12	SK223173	1	SEAL KIT - MANUAL ACTUATOR	
13	SK226233	1	SEAL KIT - VALVE BLOCK PVG32	
14	SK228999	1	SEAL KIT - BETWEEN 1 SECTION	
15	SK700341	2	SEAL KIT - LOAD SENSE VALVES	
16	T235395C	2	VITON O RING - SHOCK VALVE CAPS	
17	R24323C	4	O RING - #8 ORFS	
18	BSP4	2	BSPP BONDED SEAL #4	
19	BSP8	2	BSPP BONDED SEAL #8 (1/2")	
20	AT100107	1	LOAD SENSE VALVE REMOVAL TOOL	

*All manufacturers names, numbers, marks, trademarks and symbols and descriptions are used for reference purposes only. Use of parts not supplied from the original manufacturer on machines under manufacturer warranty could potentially void your manufacturer warranty. Machined parts are built by Axis, not the original manufacturer.

Length Measuring Cylinder Manifold



*All manufacturers names, numbers, marks, trademarks and symbols and descriptions are used for reference purposes only. Use of parts not supplied from the original manufacturer on machines under manufacturer warranty could potentially void your manufacturer warranty. Machined parts are built by Axis, not the original manufacturer.

Length Measuring Cylinder Manifold

No.	Axis Part No	Qty	Description	Notes
1	HV226233	1	VALVE BLOCK	
2	HC224328	1	VALVE - ON/OFF SN#	
3	HV297024	1	SPOOL VALVE - PVG32 MEAS ARM	
4	HC223173	1	MANUAL ACTUATOR - PVG32 PVG100 ALUMINUM	
5	HV290905	2	LOAD SENSE VALVE	
6	HV292125	2	SHOCK VALVE - 125 BAR	
7	HF2040-8-8	1	FITTING - #8 JIC MALE X #8 BSPP MALE	
8	HF2040-8-8XL	1	FITTING - #8 BSP MALE x #8 JIC MALE EXTENSION	
9	HF2939-8-8	2	FITTING - #8 JIC MALE X #8 JIC FEMALE 90 DEGREE	
10	HF41-4	2	PLUG - #4 BSP ROUND ALLEN HEAD	
11	SK224033	1	SEAL KIT - PROPORTIONAL & ON/OFF VALVES	
12	SK224033B	1	SEAL KIT - ON/OFF & PROPORTIONAL VALVES	INTERNAL
13	SK223173	1	SEAL KI - PVG32 MANUAL ACTUATOR CAPS	
14	SK700341	2	SEAL KIT - LOAD SENSE VALVES	
15	SK226233	1	SEAL KIT - VALVE BLOCK	
16	SK228999	1	SEAL KIT - PVG32 BETWEEN SECTIONS	
17	T235395C	2	VITON O RING - SHOCK VALVE CAPS	
18	BSP4	2	BSPP BONDED SEAL #4	
19	BSP8	2	BSPP BONDED SEAL #8 (1/2")	
20	AT100107	1	LOAD SENSE VALVE REMOVAL TOOL	

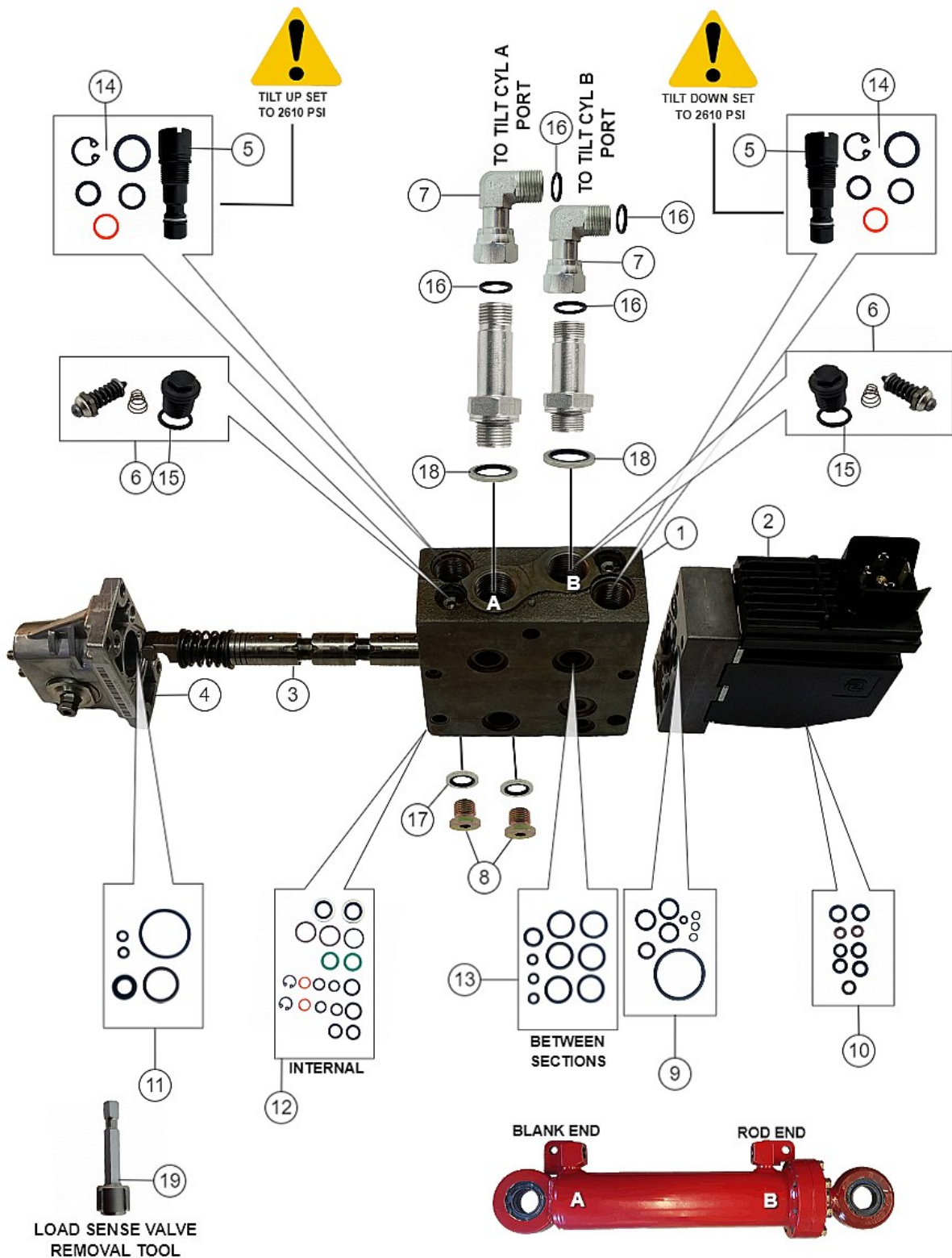
*All manufacturers names, numbers, marks, trademarks and symbols and descriptions are used for reference purposes only. Use of parts not supplied from the original manufacturer on machines under manufacturer warranty could potentially void your manufacturer warranty. Machined parts are built by Axis, not the original manufacturer.

Feed Arm Manifold

No.	Axis Part No	Qty	Description	Notes
1	HV226233	1	VALVE BLOCK	
2	HC224333	1	VALVE/COIL - PROPORTIONAL	
3	HV299550	1	SPOOL	
4	HC223173	1	MANUAL ACTUATOR - PVG32 PVG100 ALUMINUM	
5	HV290905	2	LOAD SENSE VALVE	
6	HV292150	1	SHOCK VALVE - 150 BAR	
7	HV292210	2	SHOCK VALVE - 210 BAR	
8	HF7969-8-8	2	FITTING - #8 ORFS MALE X #8 ORFS FEMALE 90 DEG	
9	HF41-4	2	PLUG - #4 BSP ROUND ALLEN HEAD	
10	SK224033	1	SEAL KIT - PROPORTIONAL & ON/OFF VALVES	
11	SK224033B	1	SEAL KIT - ON/OFF & PROPORTIONAL VALVES	INTERNAL
12	SK223173	1	SEAL KIT - PVG32 MANUAL ACTUATOR CAPS	
13	SK226233	1	SEAL KIT - VALVE BLOCK	
14	SK228999	1	SEAL KIT - PVG32 BETWEEN SECTIONS	
15	SK700341	1	SEAL KIT - LOAD SENSE VALVES	
16	T235395C	2	VITON O RING - SHOCK VALVE CAPS	
17	R24323C	4	O RING - #8 ORFS	
18	BSP4	2	BSPP BONDED SEAL #4	
19	BSP8	2	BSPP BONDED SEAL #8 (1/2")	
20	AT100107	1	LOAD SENSE VALVE REMOVAL TOOL	

*All manufacturers names, numbers, marks, trademarks and symbols and descriptions are used for reference purposes only. Use of parts not supplied from the original manufacturer on machines under manufacturer warranty could potentially void your manufacturer warranty. Machined parts are built by Axis, not the original manufacturer.

Tilt Manifold



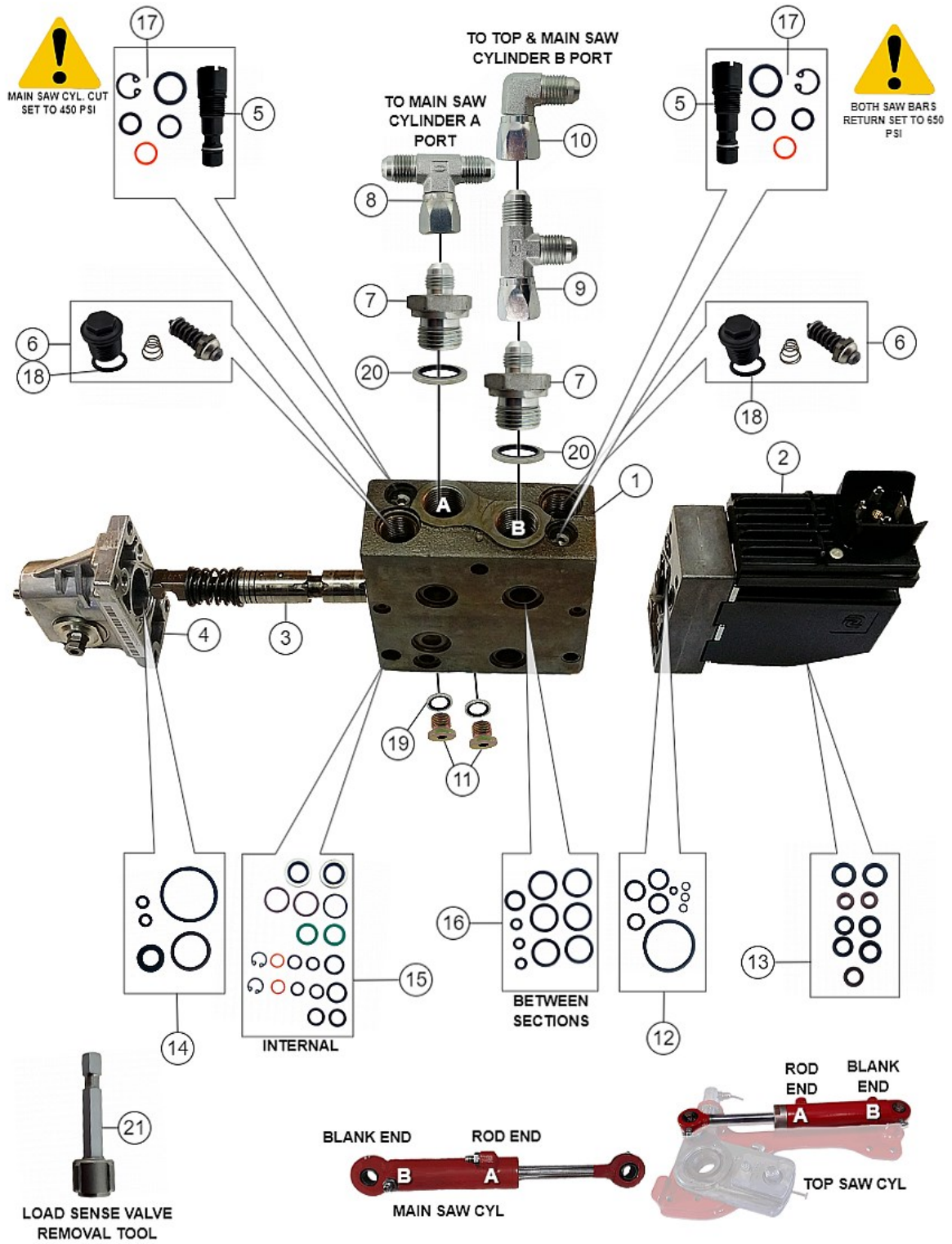
*All manufacturers names, numbers, marks, trademarks and symbols and descriptions are used for reference purposes only. Use of parts not supplied from the original manufacturer on machines under manufacturer warranty could potentially void your manufacturer warranty. Machined parts are built by Axis, not the original manufacturer.

Tilt Manifold

No.	Axis Part No	Qty	Description	Notes
1	HV226233	1	VALVE BLOCK	
2	HC224328	1	VALVE - ON/OFF	
3	HV297121	1	TILT SPOOL	
4	HC223173	1	MANUAL ACTUATOR - PVG32 PVG100 ALUMINUM	
5	HV290905	2	LOAD SENSE VALVE	
6	HV292250	2	SHOCK VALVE - 250 BAR	
7	HF7969-8-8	2	FITTING - #8 ORFS MALE X #8 ORFS FEMALE 90 DEG..	
8	HF41-4	2	PLUG - #4 BSP ROUND ALLEN HEAD	
9	SK224033	1	SEAL KIT - PROPORTIONAL & ON/OFF VALVES	
10	SK224033B	1	SEAL KIT - ON/OFF & PROPORTIONAL VALVES	INTERNAL
11	SK223173	1	SEAL KIT - PVG32 MANUAL ACTUATOR CAPS	
12	SK226233	1	SEAL KIT - VALVE BLOCK	
13	SK228999	1	SEAL KIT - PVG32 BETWEEN SECTIONS	
14	SK700341	2	SEAL KIT - LOAD SENSE VALVES	
15	T235395C	2	VITON O RING - SHOCK VALVE CAPS	
16	R24323C	4	O RING #8 ORFS	
17	BSP4	2	BSPP BONDED SEAL #4	
18	BSP8	2	BSPP BONDED SEAL #8 (1/2")	
19	AT100107	1	LOAD SENSE VALVE REMOVAL TOOL	

*All manufacturers names, numbers, marks, trademarks and symbols and descriptions are used for reference purposes only. Use of parts not supplied from the original manufacturer on machines under manufacturer warranty could potentially void your manufacturer warranty. Machined parts are built by Axis, not the original manufacturer.

Main Saw Cylinder Cut & Both Saw Cylinders Return Manifold



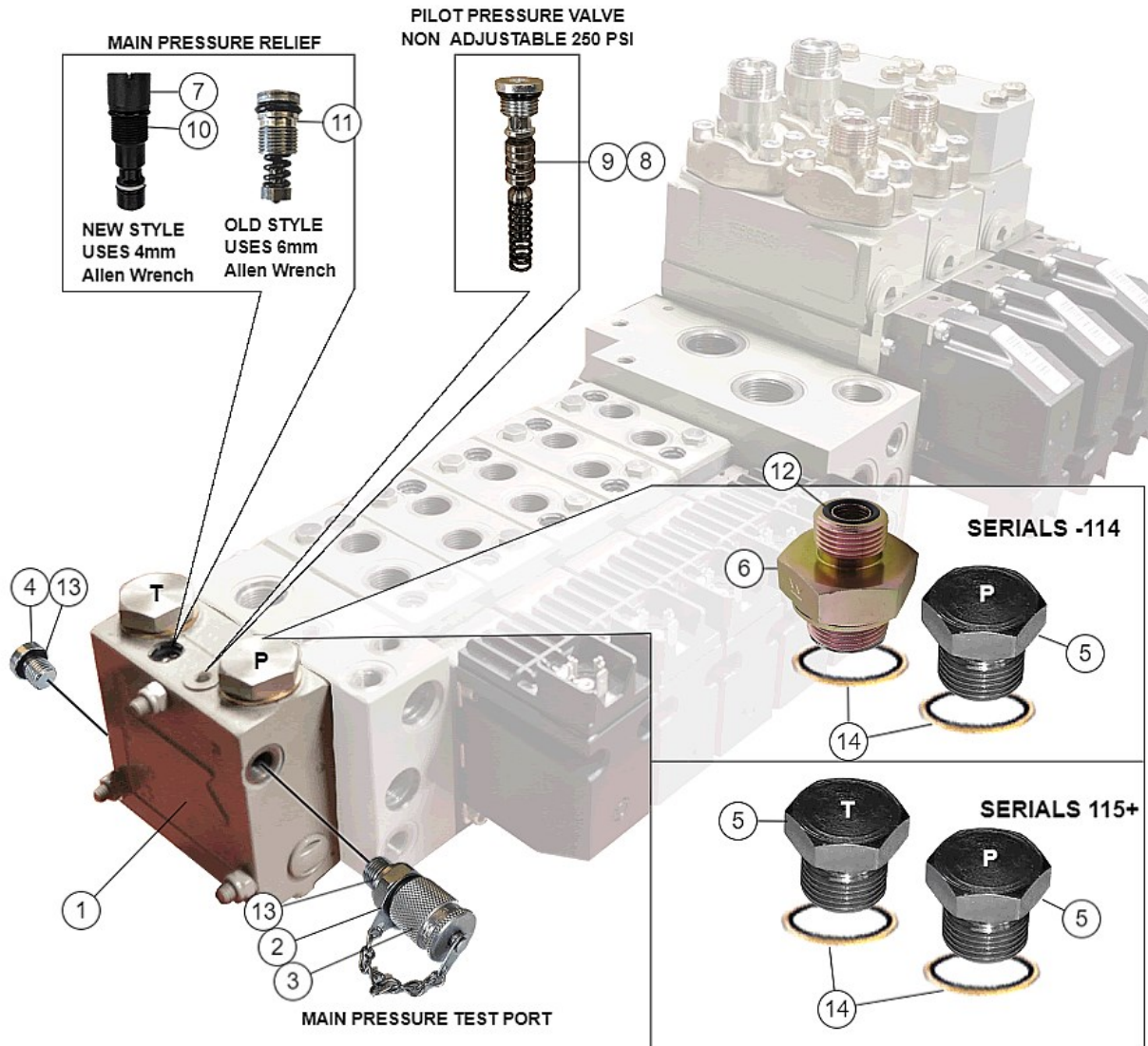
*All manufacturers names, numbers, marks, trademarks and symbols and descriptions are used for reference purposes only. Use of parts not supplied from the original manufacturer on machines under manufacturer warranty could potentially void your manufacturer warranty. Machined parts are built by Axis, not the original manufacturer.

Main Saw Cylinder Cut & Both Saw Cylinders Return Manifold

No.	Axis Part No	Qty	Description	Notes
1	HV226233	1	VALVE BLOCK	
2	HC224328	1	VALVE - ON/OFF	
3	HV297123	1	SPOOL VALVE - PVG32 MAIN CUT BOTH SAW RETURN	
4	HC223173	1	MANUAL ACTUATOR	
5	HV290905	2	LOAD SENSE VALVE	
6	HV292125	2	SHOCK VALVE - 125 BAR	
7	HF2040-6-8	2	FITTING - #6 JIC MALE X #8 BSP MALE	
8	HF203020-6-6-6	1	TEE FITTING - #6 JIC M/F/M	
9	HF202030-6-6-6	1	RUN TEE FITTING JIC #6 M/M/F	
10	HF2939-6-6	1	FITTING - #6 JIC MALE X #6 JIC FEMALE 90 DEGREE	
11	HF41-4	2	PLUG - #4 BSP ROUND ALLEN HEAD	
12	SK224033	1	SEAL KIT - PROPORTIONAL & ON/OFF VALVES	
13	SK224033B	1	SEAL KIT - ON/OFF & PROPORTIONAL VALVES	INTERNAL
14	SK223173	1	SEAL KIT - PVG32 MANUAL ACTUATOR CAPS	
15	SK226233	1	SEAL KIT - VALVE BLOCK	
16	SK228999	1	SEAL KIT - PVG32 BETWEEN SECTIONS	
17	SK700341	2	SEAL KIT - LOAD SENSE VALVES	
18	T235395C	2	VITON O RING - SHOCK VALVE CAPS	
19	BSP4	2	BSPP BONDED SEAL #4	
20	BSP8	2	BSPP BONDED SEAL #8 (1/2")	
21	AT100107	1	LOAD SENSE VALVE REMOVAL TOOL	

*All manufacturers names, numbers, marks, trademarks and symbols and descriptions are used for reference purposes only. Use of parts not supplied from the original manufacturer on machines under manufacturer warranty could potentially void your manufacturer warranty. Machined parts are built by Axis, not the original manufacturer.

Pump Side Manifold



*All manufacturers names, numbers, marks, trademarks and symbols and descriptions are used for reference purposes only. Use of parts not supplied from the original manufacturer on machines under manufacturer warranty could potentially void your manufacturer warranty. Machined parts are built by Axis, not the original manufacturer.

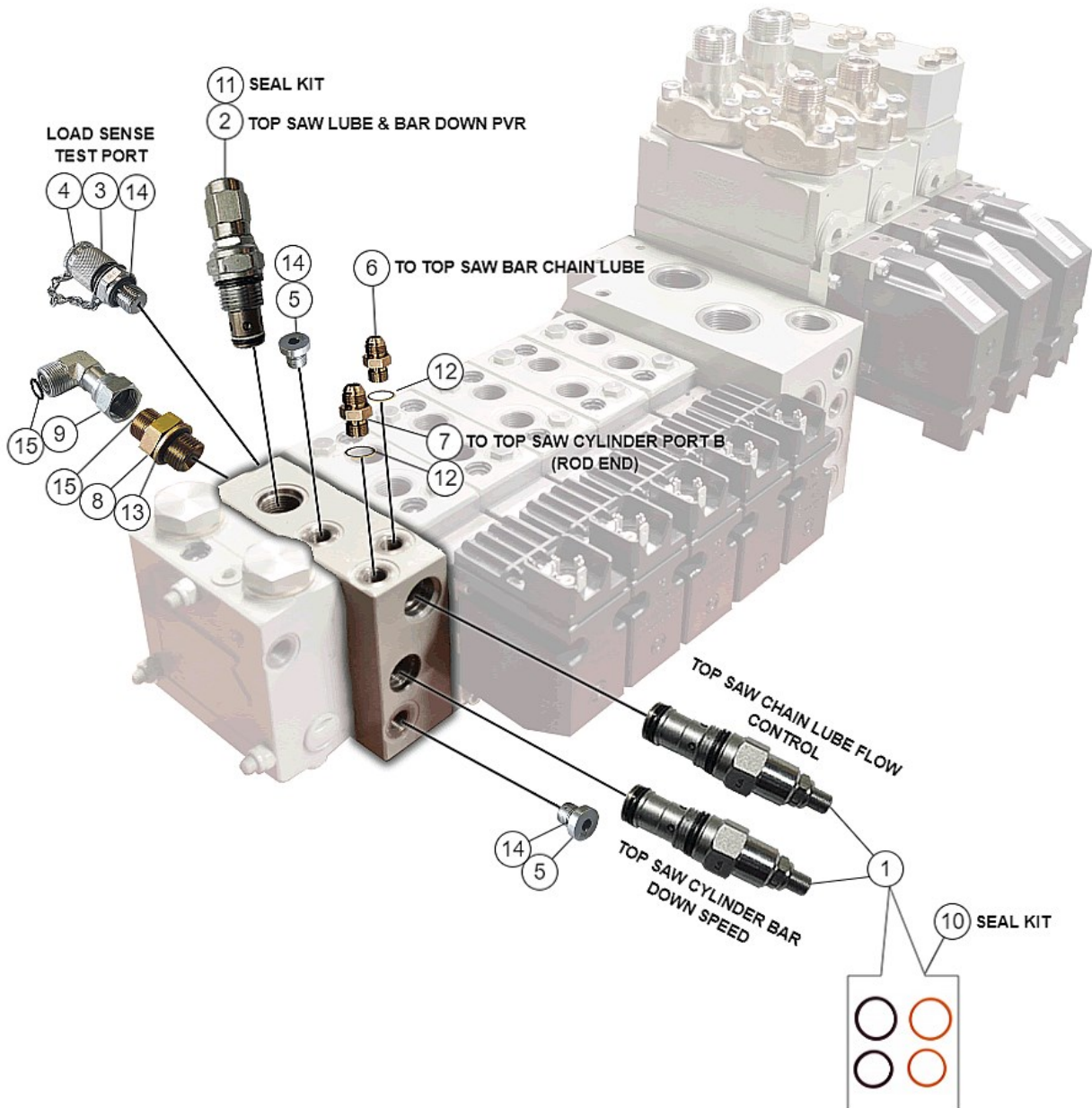
Pump Side Manifold

No.	Axis Part No	Qty	Description	Notes
1	HV225111	1	PUMP SIDE MODULE BLOCK	
2	HF14TP	1	TEST PORT 1/4" BSP	
3	HF14TPC	1	TEST PORT CAP	
4	HF41-4	1	PLUG - #4 BSP ROUND ALLEN HEAD	
5	HF40-12	2	FITTING - HEX PLUG #12 BSP	
6	HF4060-12-8	1	FITTING - #12 BSPP MALE X #8 ORFS MALE..	
7	HV290905	1	LOAD SENSE VALVE	
8	T189417C	1	O-RING	
9	HV295157	1	PILOT PRESSURE VALVE	
10	SK700341	2	SEAL KIT - LOAD SENSE VALVES	
11	SK700342	1	SEALS	
12	R24323C	1	O RING #8 ORFS	
13	ED4	2	SPECIAL BSPP SEAL #4	
14	BSP12	2	BSPP BONDED SEAL #12	

*All manufacturers names, numbers, marks, trademarks and symbols and descriptions are used for reference purposes only. Use of parts not supplied from the original manufacturer on machines under manufacturer warranty could potentially void your manufacturer warranty. Machined parts are built by Axis, not the original manufacturer.



VALVE BANK SERIAL 115+ WITH TOP SAW



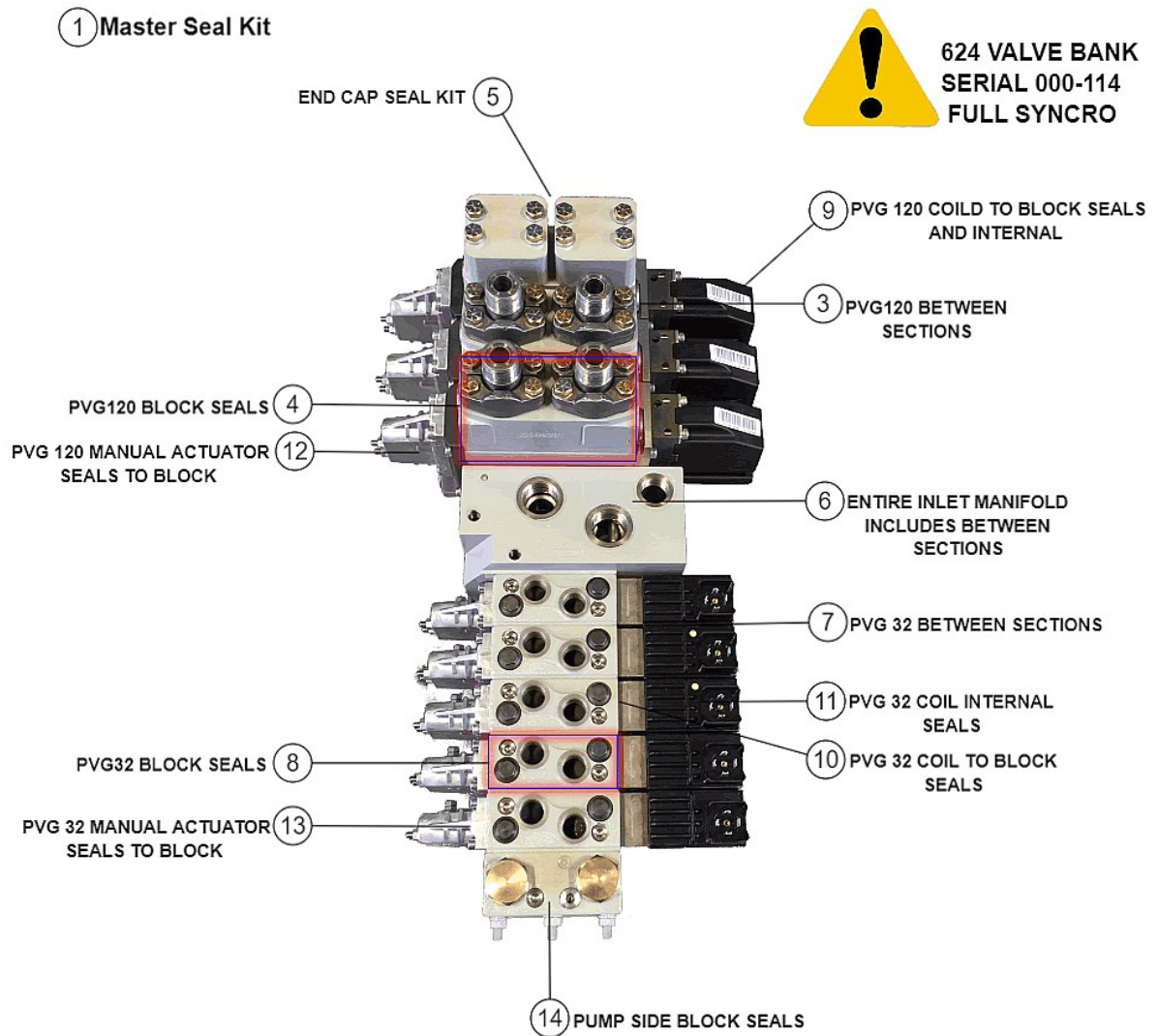
*All manufacturers names, numbers, marks, trademarks and symbols and descriptions are used for reference purposes only. Use of parts not supplied from the original manufacturer on machines under manufacturer warranty could potentially void your manufacturer warranty. Machined parts are built by Axis, not the original manufacturer.

Top Saw Manifold SN 115+

No.	Axis Part No	Qty	Description	Notes
1	HV350826	2	VALVE	
2	HV350835	1	VALVE	
3	HF14TP	1	TEST PORT	
4	HF14TPC	1	TEST PORT CAP	
5	HF41-4	2	PLUS - #4 BSP	
6	HF2040-4-4	2	FITTING - #4 JIC MALE X #4 BSP MALE	
7	HF2040-6-4	1	FITTING - #6 JIC MALE X #4 BSP MALE	
8	HF4060-8-8	1	FITTING - #8 BSP MALE X #8 ORFS MALE	
9	HF7969-8-8	1	FITTING - #8 ORFS MALE X #8 ORFS FEMALE 90°	
10	SK350826	2	SEAL KIT	
11	SK350835	1	SEAL KIT	
12	BSP4	2	BSP BONDED SEAL	
13	BSP8	1	BSP BONDED SEAL	
14	ED4	2	SPECIAL BSP SEAL	
15	R24323C	2	O RING	

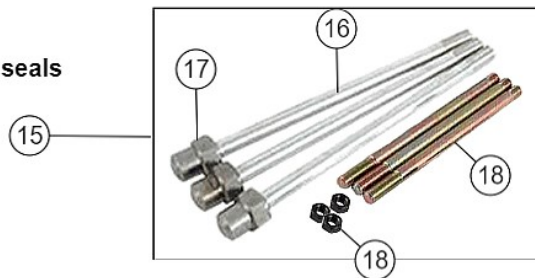
*All manufacturers names, numbers, marks, trademarks and symbols and descriptions are used for reference purposes only. Use of parts not supplied from the original manufacturer on machines under manufacturer warranty could potentially void your manufacturer warranty. Machined parts are built by Axis, not the original manufacturer.

Valve Bank Serial 000-114 Master Seal Kit



1 MASTER KIT, No Rods, Includes all seals plus ORFS O-Rings for the fittings

2 BETWEEN SECTIONS KIT ONLY



*All manufacturers names, numbers, marks, trademarks and symbols and descriptions are used for reference purposes only. Use of parts not supplied from the original manufacturer on machines under manufacturer warranty could potentially void your manufacturer warranty. Machined parts are built by Axis, not the original manufacturer.

Valve Bank Serial 000-114 Master Seal Kit

No.	Axis Part No	Qty	Description	Notes
1	SK227624-K3	1	FULL SYNCRO MASTER VITON SEAL KIT	
2	SK227624-B2	1	VITON SEAL KIT - BETWEEN SECTIONS	
3	SK228120	1	SEAL KIT - PVG 120 BETWEEN SECTIONS	
4	SK226007	1	SEAL KIT - PVG 120 BLOCK	
5	SK228121	1	PVG120 END CAP SEAL KIT	
6	SK228122	1	MID INLET SEAL KIT	
7	SK228999	1	SEAL KIT - BETWEEN 1 SECTION	
8	SK226233	1	SEAL KIT - VALVE BLOCK PVG32	
9	SK224093	1	SEAL KIT - PVG120 ON/OFF & PROPORTIONAL VALVE	
10	SK224033	1	SEAL KIT - ON/OFF & PROPORTIONAL VALVE	
11	SK224033-B	1	VITON O-RING KIT - ON/OFF & PROPORTIONAL VALVE	INTERNAL KIT
12	SK223040	1	SEAL KIT - PVG 120 MANUAL ACTUATOR CAP	
13	SK223173	1	SEAL KIT - MANUAL ACTUATOR	
14	SK225111	1	SEAL KIT - PUMP SIDE MODULE	
15	HV280001	1	ROD KIT - UP TO SERIAL #114 OR NO TOP SAW	
16	HV280002	1	VALVE BANK THRU ROD KIT - PVG120	
17	SK228003	1	SEAL KIT - BETWEEN SECTIONS	
18	GFN208	1	NUT 8MM	

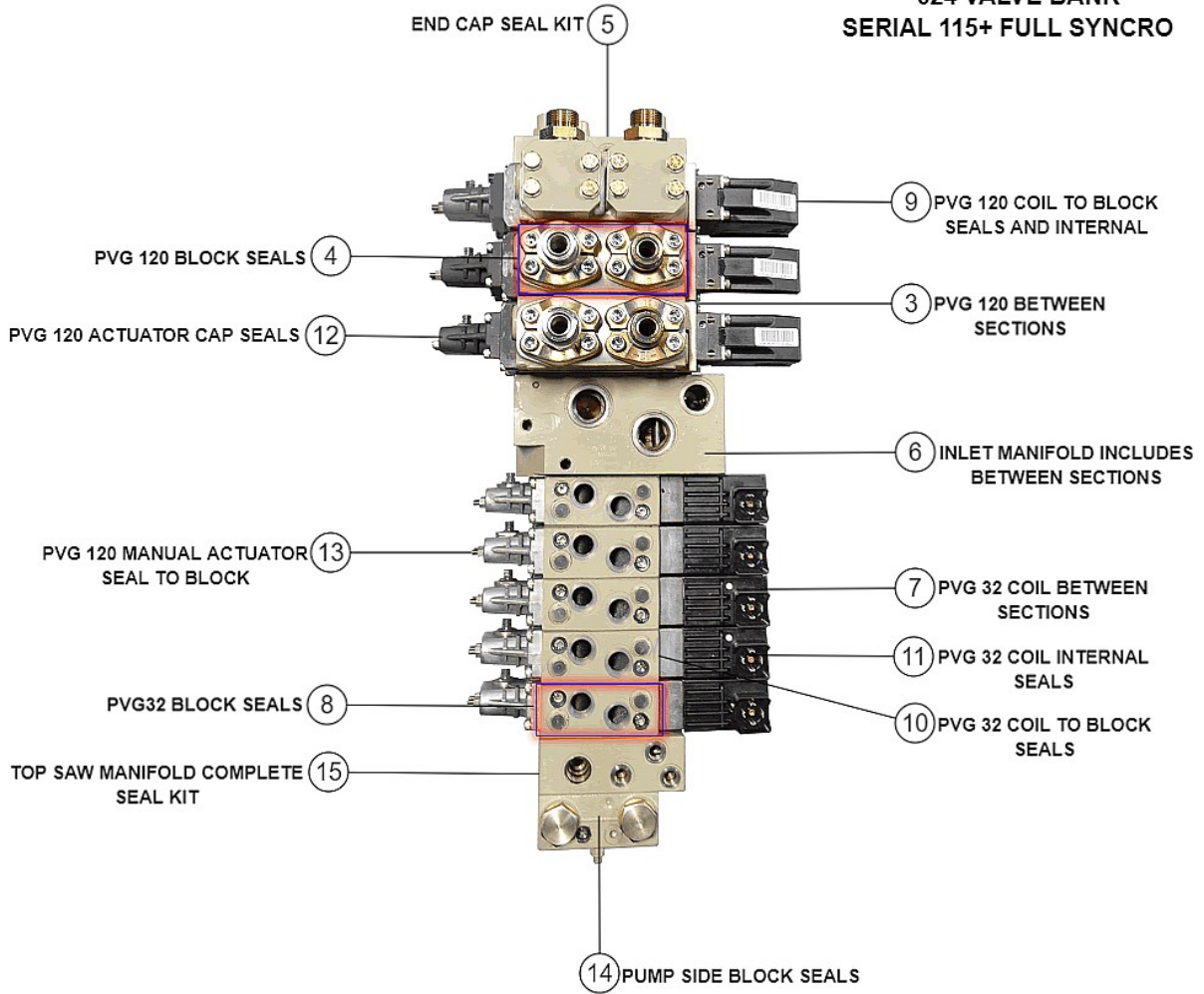
*All manufacturers names, numbers, marks, trademarks and symbols and descriptions are used for reference purposes only. Use of parts not supplied from the original manufacturer on machines under manufacturer warranty could potentially void your manufacturer warranty. Machined parts are built by Axis, not the original manufacturer.

Valve Bank Master Seal Kit Serial 115+

① Master Seal Kit



**624 VALVE BANK
SERIAL 115+ FULL SYNCRO**



① **MASTER KIT, No rods, Includes all seals plus ORFS O-Ring for the fittings**

② **BETWEEN SECTIONS KIT ONLY**



*All manufacturers names, numbers, marks, trademarks and symbols and descriptions are used for reference purposes only. Use of parts not supplied from the original manufacturer on machines under manufacturer warranty could potentially void your manufacturer warranty. Machined parts are built by Axis, not the original manufacturer.

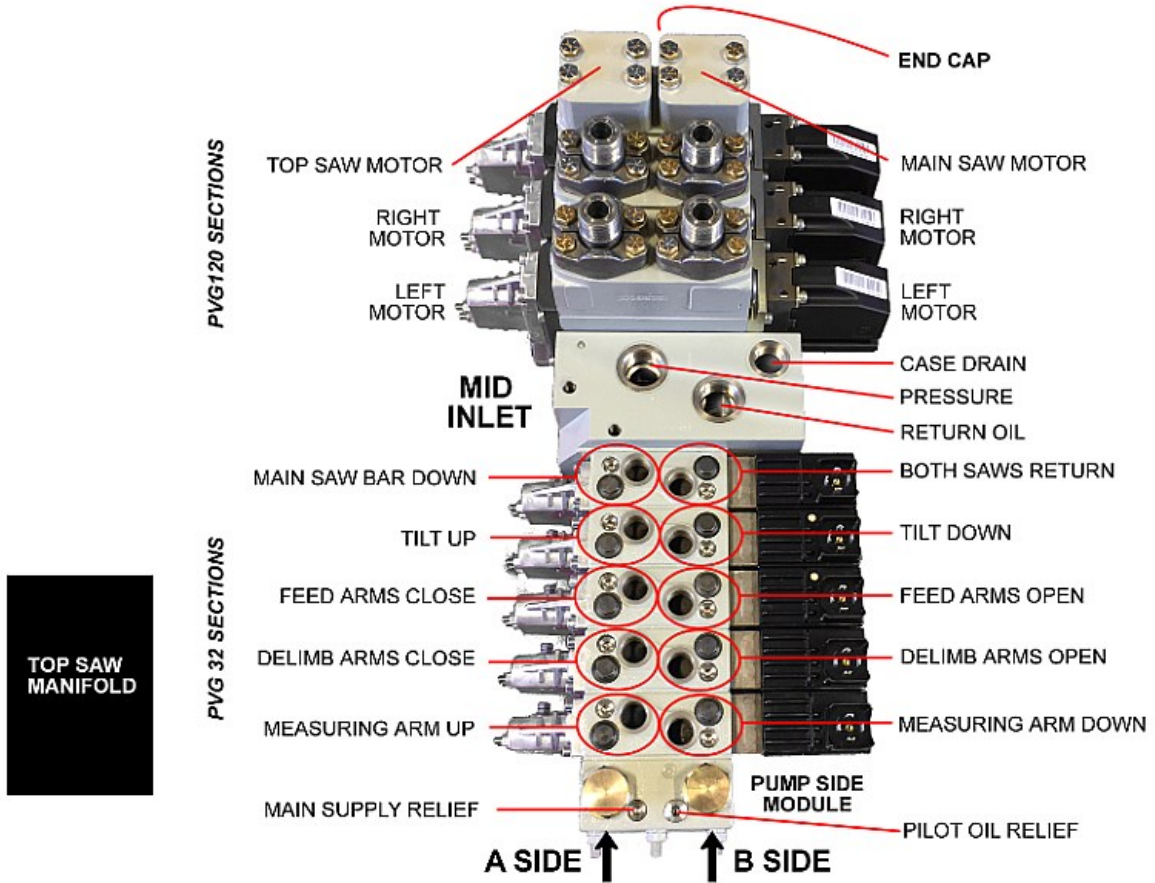
Valve Bank Master Seal Kit Serial 115+

No.	Axis Part No	Qty	Description	Notes	
1	SK227624-K4	1	MASTER VITON SEAL KIT	FROM SERIAL #115+	
2	SK227624-B2	1	VITON SEAL KIT - BETWEEN SECTIONS		
3	SK228120	1	SEAL KIT - PVG 120 BETWEEN SECTIONS		
4	SK226007	1	SEAL KIT - PVG 120 BLOCK		
5	SK228121	1	HTH624 PVG120 END CAP SEAL KIT		
6	SK228122	1	MID INLET SEAL KIT		
7	SK228999	1	SEAL KIT - BETWEEN 1 SECTION		
8	SK226233	1	SEAL KIT - VALVE BLOCK PVG32		
9	SK224093	1	SEAL KIT - PVG120 ON/OFF & PROPORTIONAL VALVE		
10	SK224033	1	SEAL KIT - ON/OFF & PROPORTIONAL VALVE		
11	SK224033-B	1	VITON O-RING KIT - ON/OFF & PROPORTIONAL VALVE		INTERNAL KIT
12	SK223040	1	SEAL KIT - PVG 120 MANUAL ACTUATOR CAP		
13	SK223173	1	SEAL KIT - MANUAL ACTUATOR		
14	SK225111	1	SEAL KIT - PUMP SIDE MODULE		
15	SK225112	1	SEAL KIT - TOP SAW MANIFOLD		

*All manufacturers names, numbers, marks, trademarks and symbols and descriptions are used for reference purposes only. Use of parts not supplied from the original manufacturer on machines under manufacturer warranty could potentially void your manufacturer warranty. Machined parts are built by Axis, not the original manufacturer.

Valve Bank Serial 000-114 Full Syncro

Understanding your Valve!



FUNCTION	PORT	ADJUSTABLE VALVE		NON ADJUSTABLE VALVE	
		P.S.I.	BAR	P.S.I.	BAR
MAIN SUPPLY*		4800 PSI	330		
TOP SAW MOTOR	A	3335	230	3625	250
MAIN SAW MOTOR	B	3335	230	3625	250
FEED MOTORS	A	SYSTEM PRESSURE (4500PSI/330 BAR)		3840	265
FEED MOTORS	B	SYSTEM PRESSURE (4500PSI/330 BAR)		4710	325
TILT UP	A	2610	180	3625	250
TILT DOWN	B	2610	180	3625	250
FEED ARMS CLOSE	A	2200	150	2610	180
FEED ARMS OPEN	B	1740	120	2175	150
DELIMB ARMS CLOSE	A	2610	180	3045	210
DELIMB ARMS OPEN	B	1740	120	2175	150
MAIN SAW BAR DOWN	A	450	31	1810	125
BOTH SAWS RETURN	B	650	45	1810	125
MEASURING ARM UP	A	870	60	1810	125
MEASURING ARM DOWN	B	870	60	1810	125

*Adjust Relief on Carrier to 4500 PSI/310 BAR

*All manufacturers names, numbers, marks, trademarks and symbols and descriptions are used for reference purposes only. Use of parts not supplied from the original manufacturer on machines under manufacturer warranty could potentially void your manufacturer warranty. Machined parts are built by Axis, not the original manufacturer.

Valve Bank Serial 000-114 Full Syncro

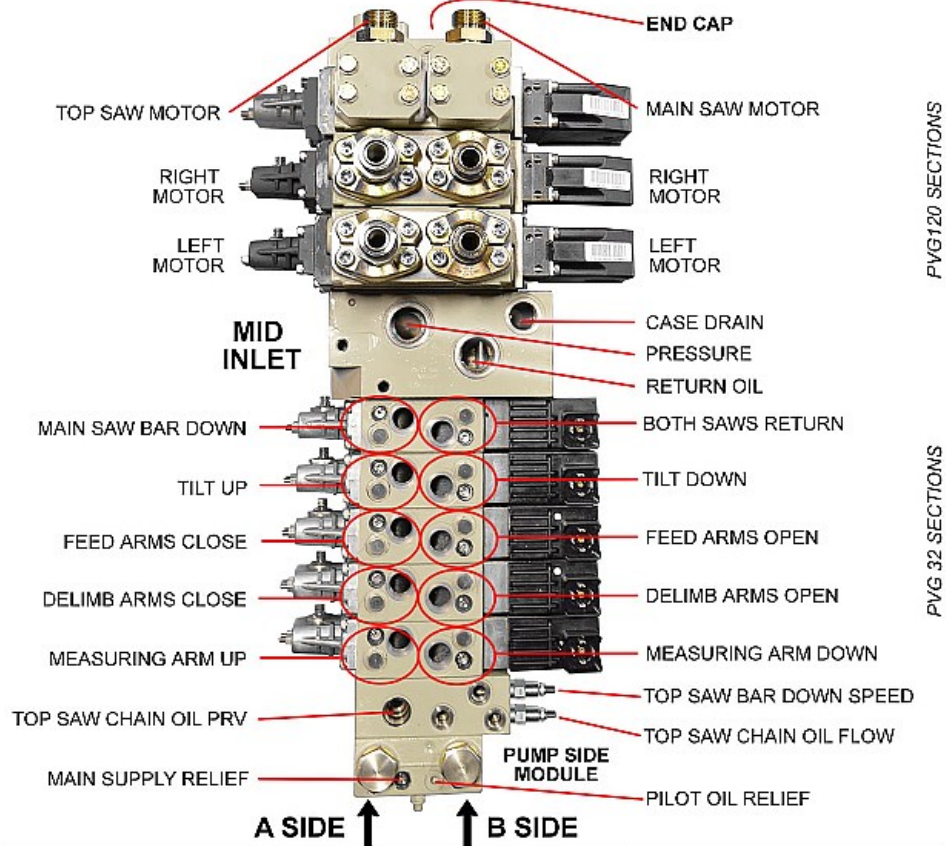
No.	Axis Part No	Qty	Description	Notes

*All manufacturers names, numbers, marks, trademarks and symbols and descriptions are used for reference purposes only. Use of parts not supplied from the original manufacturer on machines under manufacturer warranty could potentially void your manufacturer warranty. Machined parts are built by Axis, not the original manufacturer.

Valve Bank Serial 115 and Up

**HTH624 VALVE BANKS
SERIAL 233-115 and up**

Understanding your Valve!



FUNCTION	PORT	ADJUSTABLE VALVE		NON ADJUSTABLE VALVE	
		P.S.I.	BAR	P.S.I.	BAR
MAIN SUPPLY*		4800 PSI	330		
TOP SAW MOTOR	A	3335	230	3625	250
MAIN SAW MOTOR	B	3335	230	3625	250
FEED MOTORS	A	SYSTEM PRESSURE (4500PSI/330 BAR)		3840	265
FEED MOTORS	B	SYSTEM PRESSURE (4500PSI/330 BAR)		4710	325
TILT UP	A	2610	180	3625	250
TILT DOWN	B	2610	180	3625	250
FEED ARMS CLOSE	A	2200	150	3045	210
FEED ARMS OPEN	B	1740	120	2175	150
DELIMB ARMS CLOSE	A	2610	180	3045	210
DELIMB ARMS OPEN	B	1740	120	2175	150
MAIN SAW BAR DOWN	A	450	31	1810	125
BOTH SAWS RETURN	B	650	45	1810	125
MEASURING ARM UP	A	870	60	1810	125
MEASURING ARM DOWN	B	870	60	1810	125

*Adjust Relief on Carrier to 4500 PSI/310 BAR

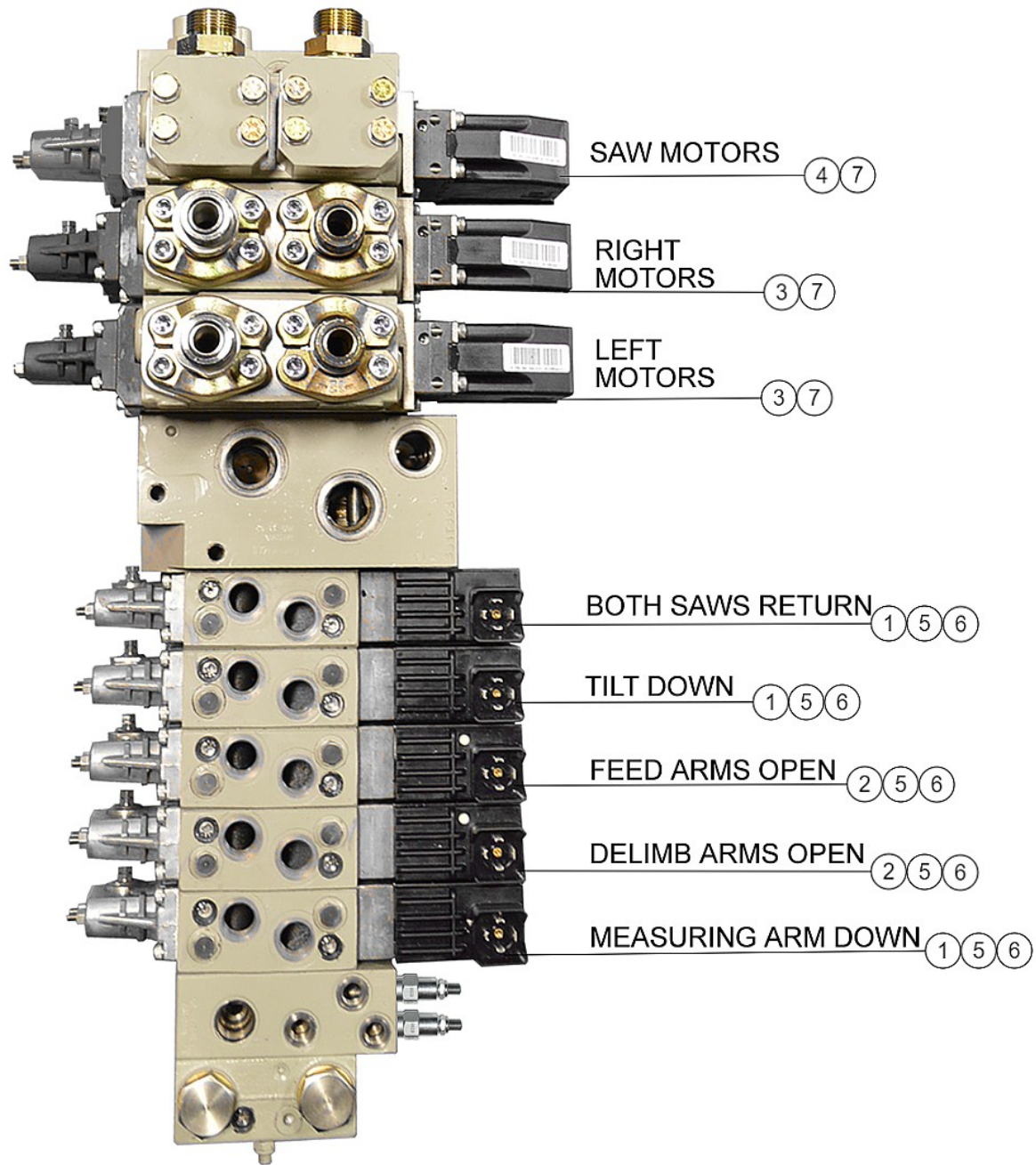
*All manufacturers names, numbers, marks, trademarks and symbols and descriptions are used for reference purposes only. Use of parts not supplied from the original manufacturer on machines under manufacturer warranty could potentially void your manufacturer warranty. Machined parts are built by Axis, not the original manufacturer.

Valve Bank Serial 233-115 and Up

No.	Axis Part No	Qty	Description	Notes

*All manufacturers names, numbers, marks, trademarks and symbols and descriptions are used for reference purposes only. Use of parts not supplied from the original manufacturer on machines under manufacturer warranty could potentially void your manufacturer warranty. Machined parts are built by Axis, not the original manufacturer.

Valve Bank Coils



*All manufacturers names, numbers, marks, trademarks and symbols and descriptions are used for reference purposes only. Use of parts not supplied from the original manufacturer on machines under manufacturer warranty could potentially void your manufacturer warranty. Machined parts are built by Axis, not the original manufacturer.

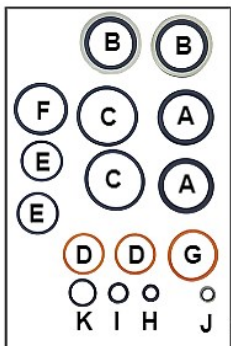
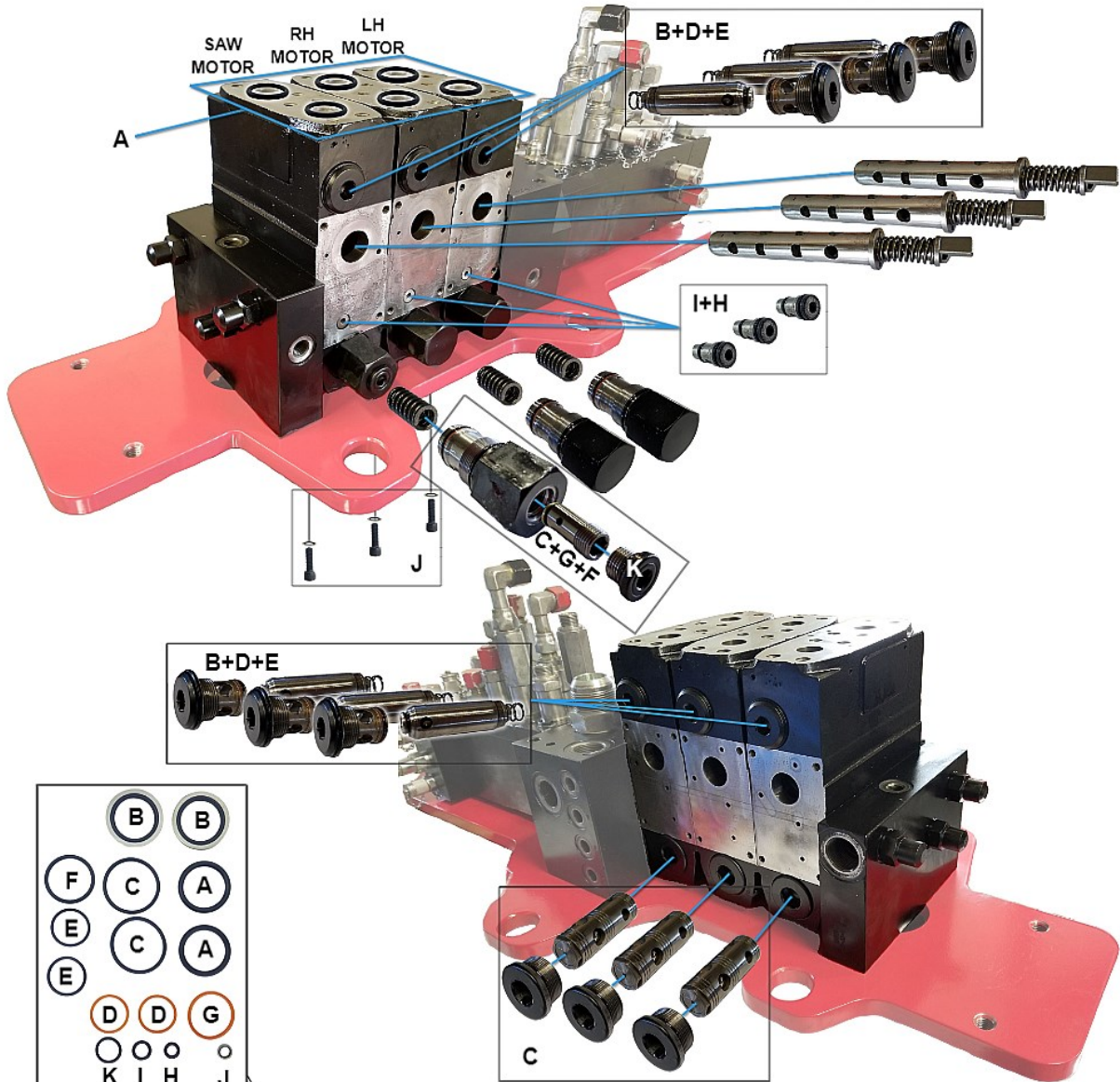
Valve Bank Coils

No.	Axis Part No	Qty	Description	Notes
1	HC224328	3	VALVE - ON/OFF SN#	
2	HC224333	2	VALVE/COIL - PROPORTIONAL SN#	
3	HC224393	2	PROPORTIONAL VALVE PVG120 SN#	
4	HC224374	1	ON/OFF VALVE PVG120 SN#	
5	SK224033	5	SEAL KIT - ON/OFF & PROPORTIONAL VALVE	
6	SK224033-B	5	VITON O-RING KIT - ON/OFF & PROPORTIONAL VALVE	INTERNAL KIT
7	SK224093	3	SEAL KIT - PVG120 ON/OFF & PROPORTIONAL VALVE	

*All manufacturers names, numbers, marks, trademarks and symbols and descriptions are used for reference purposes only. Use of parts not supplied from the original manufacturer on machines under manufacturer warranty could potentially void your manufacturer warranty. Machined parts are built by Axis, not the original manufacturer.

Note: Match the letters from the "Manifold Seal Kit" to the letters on the diagram to understand where each o-ring fits.

① MANIFOLD SEAL KIT



MANIFOLD SEAL KIT ①

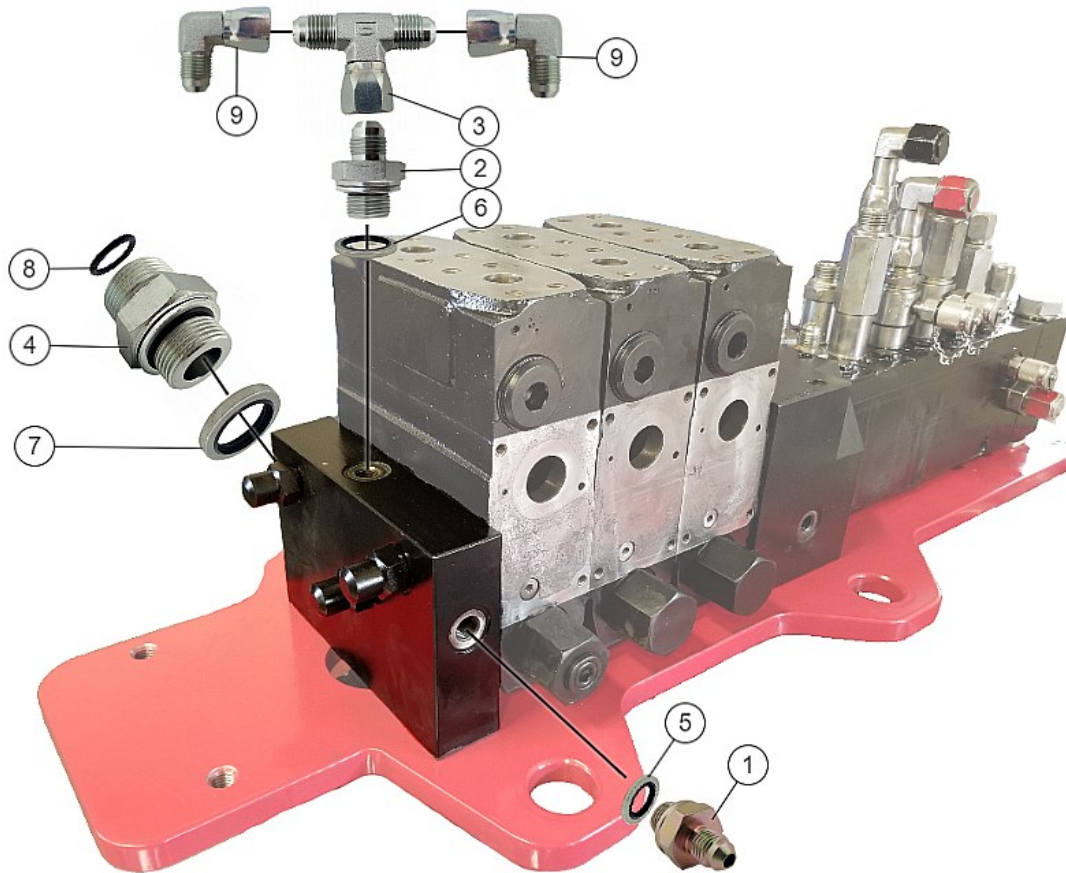
*All manufacturers names, numbers, marks, trademarks and symbols and descriptions are used for reference purposes only. Use of parts not supplied from the original manufacturer on machines under manufacturer warranty could potentially void your manufacturer warranty. Machined parts are built by Axis, not the original manufacturer.

PVG120 Manifolds

No.	Axis Part No	Qty	Description	Notes
1	SK226007	3	SEAL KIT - PVG 120 BLOCK	

*All manufacturers names, numbers, marks, trademarks and symbols and descriptions are used for reference purposes only. Use of parts not supplied from the original manufacturer on machines under manufacturer warranty could potentially void your manufacturer warranty. Machined parts are built by Axis, not the original manufacturer.

PVG120 End Manifold



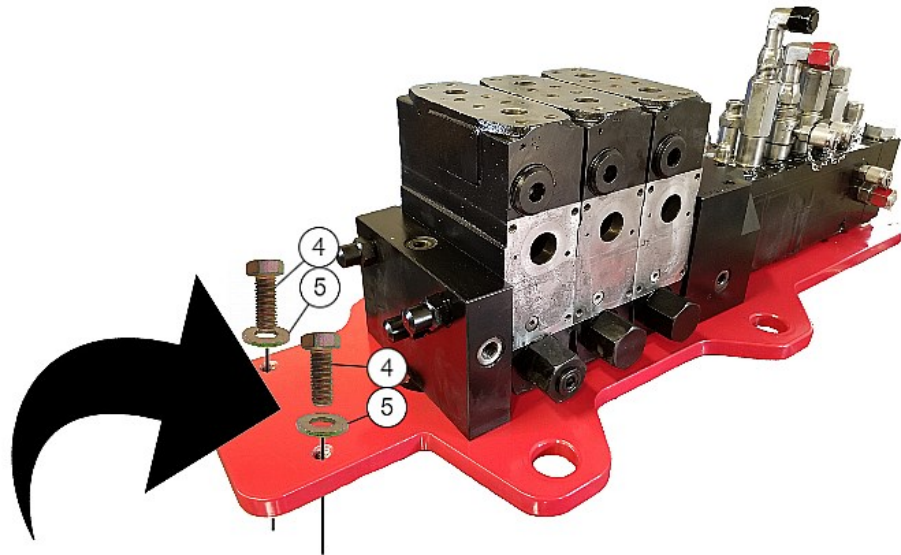
*All manufacturers names, numbers, marks, trademarks and symbols and descriptions are used for reference purposes only. Use of parts not supplied from the original manufacturer on machines under manufacturer warranty could potentially void your manufacturer warranty. Machined parts are built by Axis, not the original manufacturer.

PVG120 End Manifold

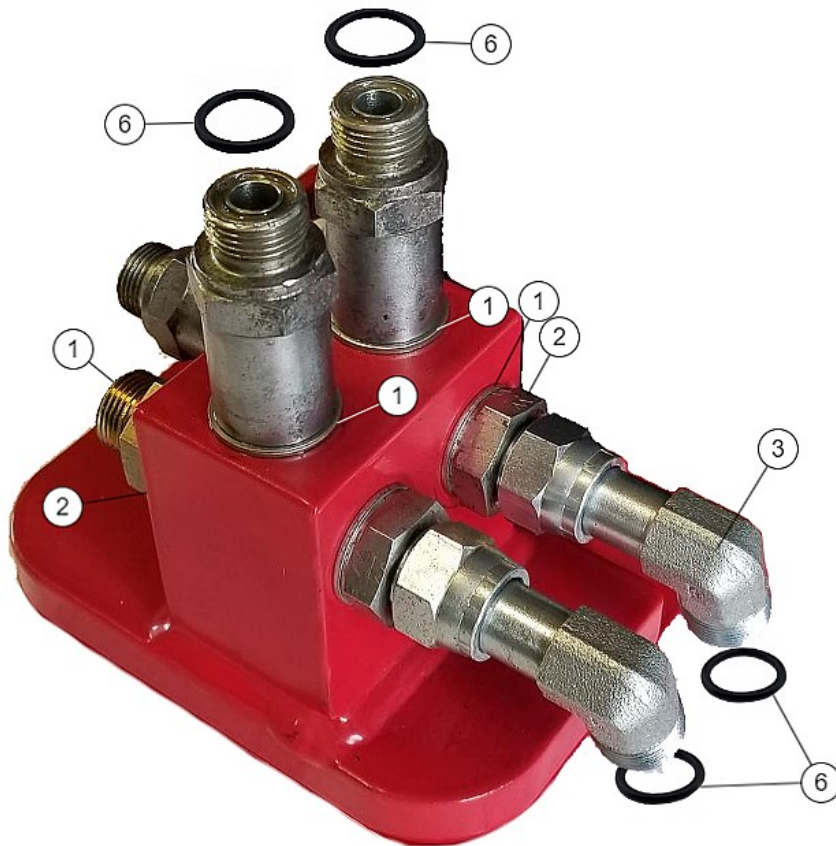
No.	Axis Part No	Qty	Description	Notes
1	HF2040-4-4	1	FITTING - #4 JIC MALE X #4 BSPP MALE	
2	HF2040-6-6	1	FITTING - #6 JIC MALE X #6 BSP MALE	
3	HF203020-6-6-6	1	TEE FITTING - #6 JIC M/F/M	
4	HF4060-12-12	1	FITTING - #12 BSPP MALE X #12 ORFS MALE	
5	BSP4	1	BSPP BONDED SEAL #4	
6	BSP6	1	BSP BONDED SEAL #6	
7	BSP12	1	BSPP BONDED SEAL #12	
8	R24327C	1	O-RING - #12 ORFS	
9	HF2939-6-6	1	FITTING - #6 JIC MALE X #6 JIC FEMALE 90°	

*All manufacturers names, numbers, marks, trademarks and symbols and descriptions are used for reference purposes only. Use of parts not supplied from the original manufacturer on machines under manufacturer warranty could potentially void your manufacturer warranty. Machined parts are built by Axis, not the original manufacturer.

Feed Arm Cylinder Manifold



Location of Mount



*All manufacturers names, numbers, marks, trademarks and symbols and descriptions are used for reference purposes only. Use of parts not supplied from the original manufacturer on machines under manufacturer warranty could potentially void your

Feed Arm Cylinder Manifold

No.	Axis Part No	Qty	Description	Notes
1	BSP8	4	BSPP BONDED SEAL #8 (1/2")	
2	HF4060-8-8	2	FITTING - #8 BSP MALE X #8 ORFS MALE	
3	HF7969-8-8	2	FITTING - #8 ORFS MALE X #8 ORFS FEMALE 90 DEG..	
4	GFB1500125	2	BOLT - 1/2" X 1.25" UNC HEX	
5	GFW1500	2	WASHER - 1/2" HARDENED	
6	R24323C	4	O-RING #8 ORFS	

*All manufacturers names, numbers, marks, trademarks and symbols and descriptions are used for reference purposes only. Use of parts not supplied from the original manufacturer on machines under manufacturer warranty could potentially void your manufacturer warranty. Machined parts are built by Axis, not the original manufacturer.



HOSE & FITTINGS GROUP

Hose Wrap

1/4" to 3/8" Hoses

Example: Top Saw Oiler Hose



1/2" to 5/8" Hoses

Example: Feed Cylinder Hose



3/4" to 1-1/4" Hoses

Example: Saw Motor Hoses, Swivel Hoses



Also to bundle Delimb & Feed Cylinder Hoses



Bundle Swivel Hoses

4

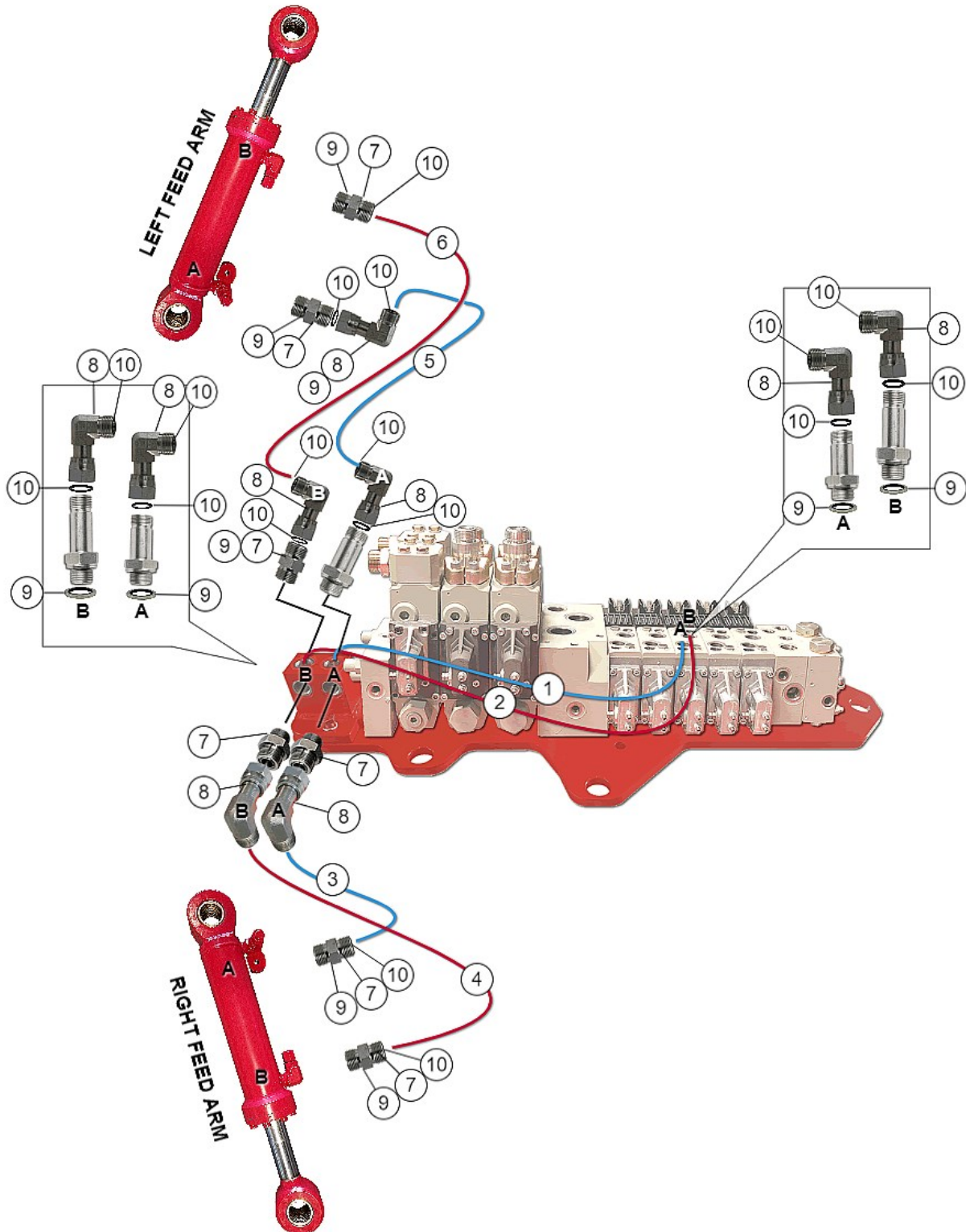
*All manufacturers names, numbers, marks, trademarks and symbols and descriptions are used for reference purposes only. Use of parts not supplied from the original manufacturer on machines under manufacturer warranty could potentially void your manufacturer warranty. Machined parts are built by Axis, not the original manufacturer.

Hose Wrap

No.	Axis Part No	Qty	Description	Notes
1	OMNI-4	1	HOSE WRAP 1/4"	
2	OMNI-6	1	HOSE WRAP #6	
3	OMNI-12	1	HOSE WRAP 5/8" - 3/4"	
4	OMNI-64	1	HOSE WRAP 4.5"	

*All manufacturers names, numbers, marks, trademarks and symbols and descriptions are used for reference purposes only. Use of parts not supplied from the original manufacturer on machines under manufacturer warranty could potentially void your manufacturer warranty. Machined parts are built by Axis, not the original manufacturer.

Feed Arm Cylinder Hose & Fittings



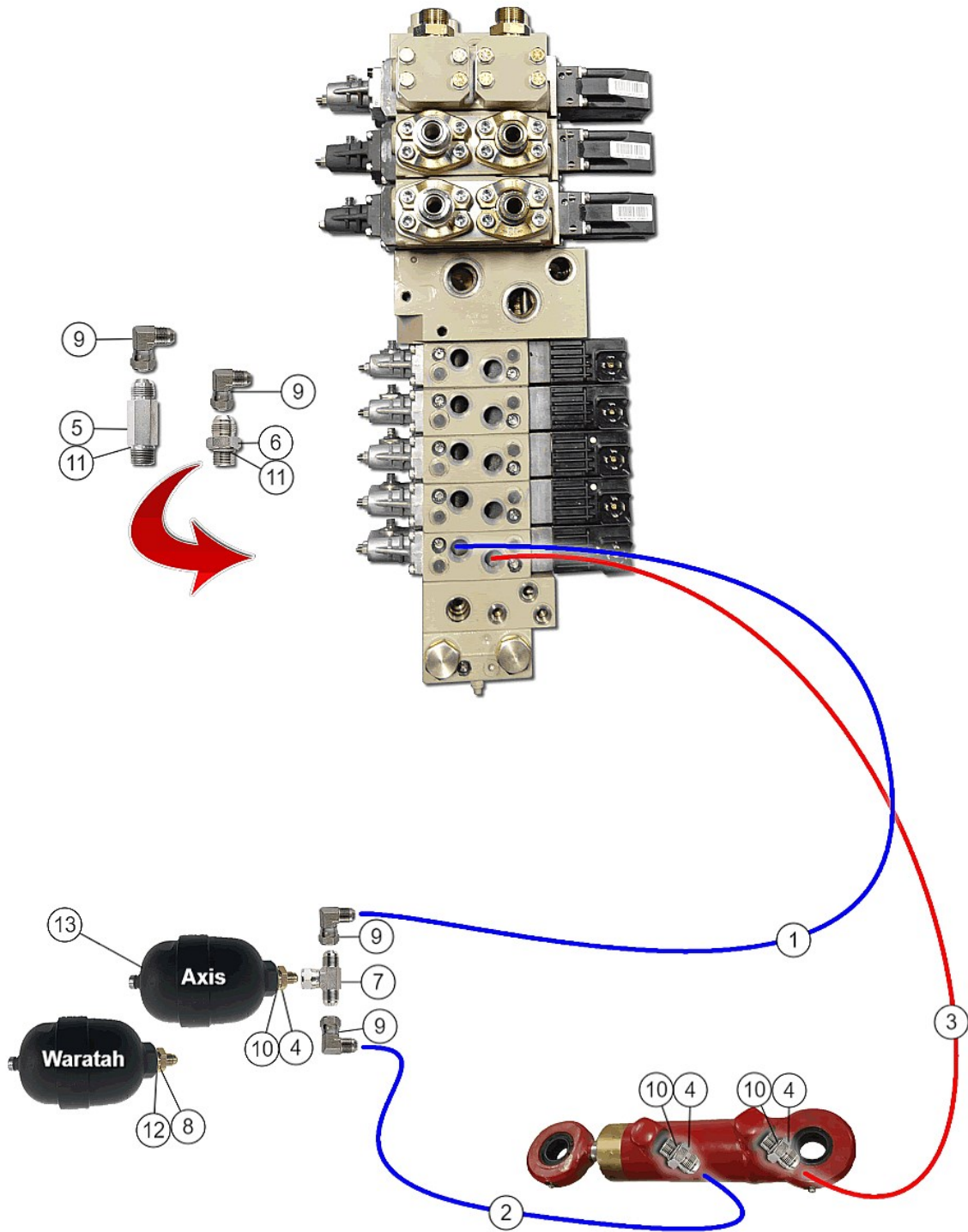
*All manufacturers names, numbers, marks, trademarks and symbols and descriptions are used for reference purposes only. Use of parts not supplied from the original manufacturer on machines under manufacturer warranty could potentially void your manufacturer warranty. Machined parts are built by Axis, not the original manufacturer.

Feed Arm Cylinder Hose & Fittings

No.	Axis Part No	Qty	Description	Notes
1	H7250630	1	HOSE - FEED ARM PVG32 B PORT TO MANIFOLD B PORT	
2	H7250670	1	HOSE - FEED ARM B PORT TO MANIFOLD B PORT	
3	H7250680	1	HOSE - FEED ARM RH CYL BLANK END TO MANIFOLD A PORT	
4	H7250710	1	HOSE - FEED ARM RH CYL ROD END TO MANIFOLD B PORT	
5	H7250850	1	HOSE - FEED ARM LH CYL BLANK END TO MANIFOLD A PORT	
6	H7250860	1	HOSE - 624 LH CYL ROD END TO MANIFOLD B PORT	
7	HF4060-8-8	7	FITTING - #8 BSP MALE X #8 ORFS MALE	
8	HF7969-8-8	9	FITTING - #8 ORFS MALE X #8 ORFS FEMALE 90 DEG	
9	BSP8	8	BSPP BONDED SEAL #8 (1/2")	
10	R24323C	15	O RING #8 ORFS	

*All manufacturers names, numbers, marks, trademarks and symbols and descriptions are used for reference purposes only. Use of parts not supplied from the original manufacturer on machines under manufacturer warranty could potentially void your manufacturer warranty. Machined parts are built by Axis, not the original manufacturer.

Measuring Cylinder Hose and Fittings



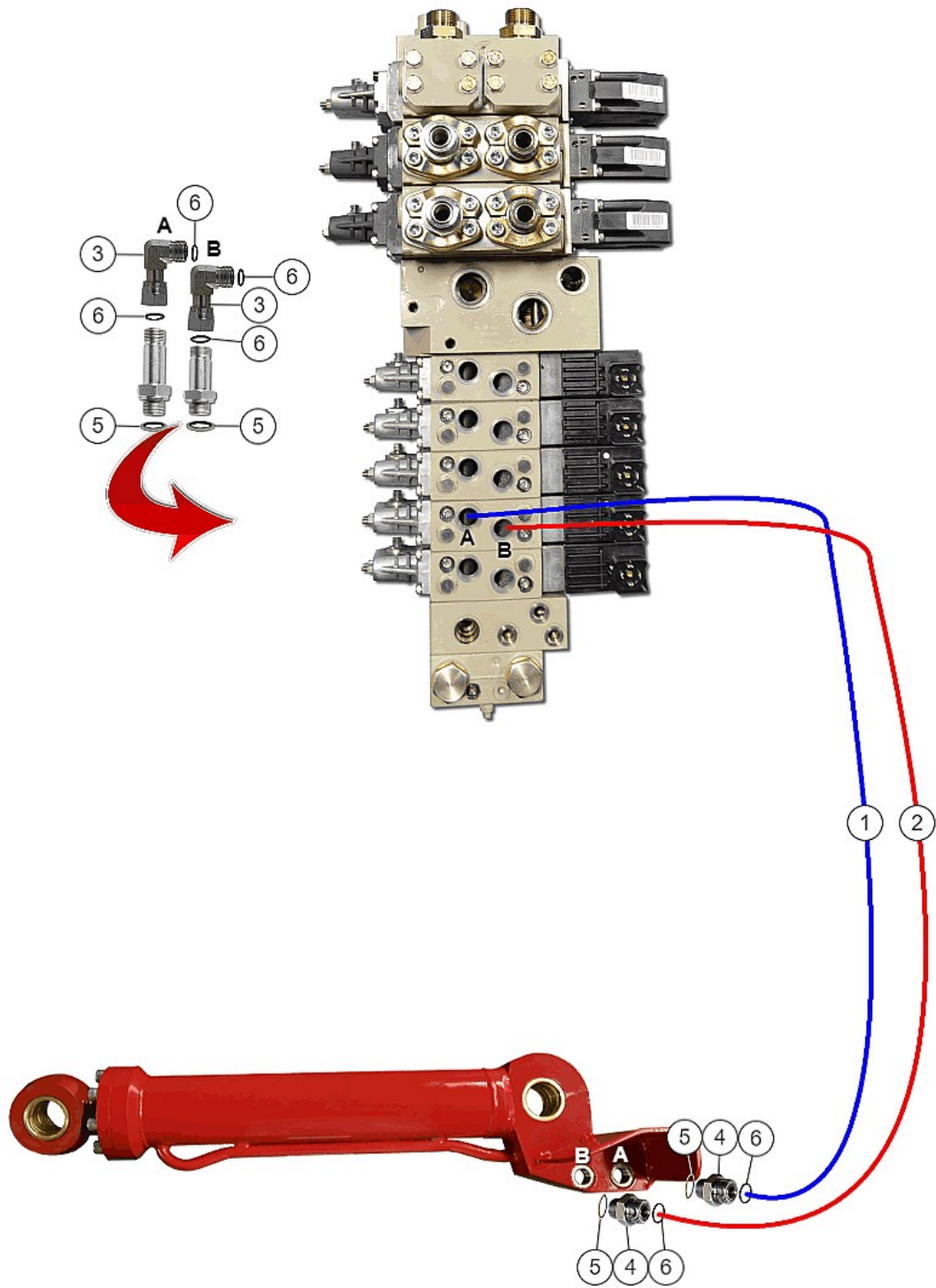
*All manufacturers names, numbers, marks, trademarks and symbols and descriptions are used for reference purposes only. Use of parts not supplied from the original manufacturer on machines under manufacturer warranty could potentially void your manufacturer warranty. Machined parts are built by Axis, not the original manufacturer.

Measuring Cylinder Hose and Fittings

No.	Axis Part No	Qty	Description	Notes
1	H7651320	1	HOSE - ACCUMULATOR TO PVG32 A PORT	
2	H7651130	1	HOSE - MEAS CYL ROD END TO ACCUMULATOR	
3	H7650950	1	HOSE - MEAS CYL BLANK END TO PVG32 B PORT	
4	HF2040-8-6	3	FITTING - #8 JIC MALE X #6 BSPP MALE	
5	HF2040-8-8XL	1	FITTING - #8 BSP MALE x #8 JIC MALE EXTENSION	
6	HF2040-8-8	1	FITTING - #8 JIC MALE X #8 BSPP MALE	
7	HF203020-8-8-8	1	FITTING - #8 JIC MALE X #8 JIC FEMALE X #8 JIC MALE	
8	HF2091-8-18	1	FITTING -#8 JIC MALE X #18MM	
9	HF2939-8-8	2	FITTING - #8 JIC MALE X #8 JIC FEMALE 90 DEGREE	
10	BSP6	3	BSP BONDED SEAL #6	
11	BSP8	2	BSP BONDED SEAL #8 (1/2")	
12	BSP18M	1	METRIC BONDED SEAL M18	
13	MW103523	2	ACCUMULATOR - w/Extreme Weather Bladder	

*All manufacturers names, numbers, marks, trademarks and symbols and descriptions are used for reference purposes only. Use of parts not supplied from the original manufacturer on machines under manufacturer warranty could potentially void your manufacturer warranty. Machined parts are built by Axis, not the original manufacturer.

Delimb Cylinder Hoses & Fittings



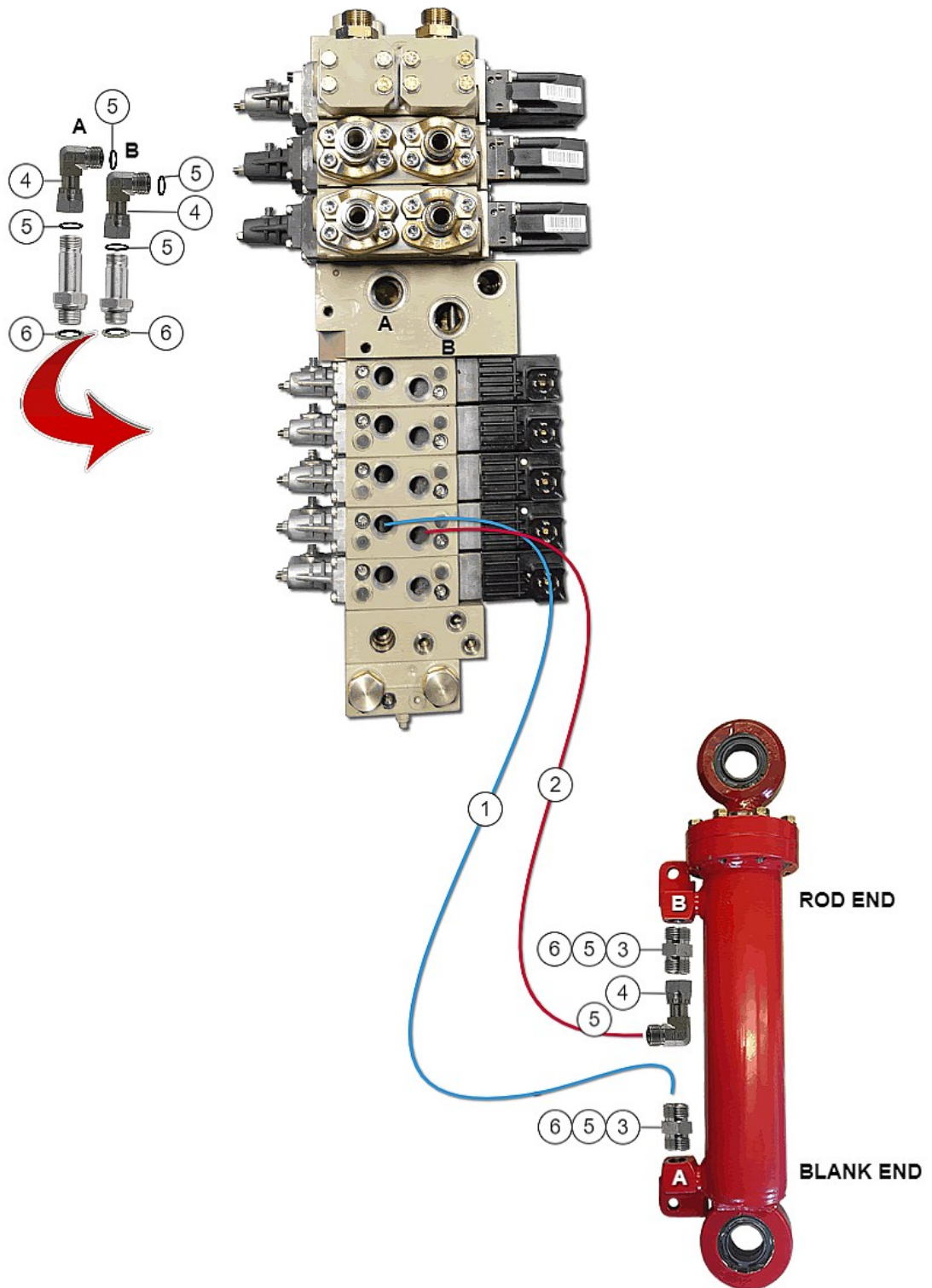
*All manufacturers names, numbers, marks, trademarks and symbols and descriptions are used for reference purposes only. Use of parts not supplied from the original manufacturer on machines under manufacturer warranty could potentially void your manufacturer warranty. Machined parts are built by Axis, not the original manufacturer.

Delimb Cylinder Hoses & Fittings

No.	Axis Part No	Qty	Description	Notes
1	H6751210	1	HOSE - DELIMB CYL OUTER PORT (BLANK END) TO PVG32 A PORT	
2	H6751120	1	HOSE - DELIMB CYL INNER PORT (ROD END) TO PVG32 B PORT	
3	HF7969-8-8	2	FITTING - #8 ORFS MALE X #8 ORFS FEMALE 90 DEG..	
4	HF4060-8-8	2	FITTING - #8 BSP MALE X #8 ORFS MALE	
5	BSP8	4	BSPP BONDED SEAL #8 (1/2")	
6	R24323C	6	O RING #8 ORFS	

*All manufacturers names, numbers, marks, trademarks and symbols and descriptions are used for reference purposes only. Use of parts not supplied from the original manufacturer on machines under manufacturer warranty could potentially void your manufacturer warranty. Machined parts are built by Axis, not the original manufacturer.

Tilt Cylinder Hose & Fittings



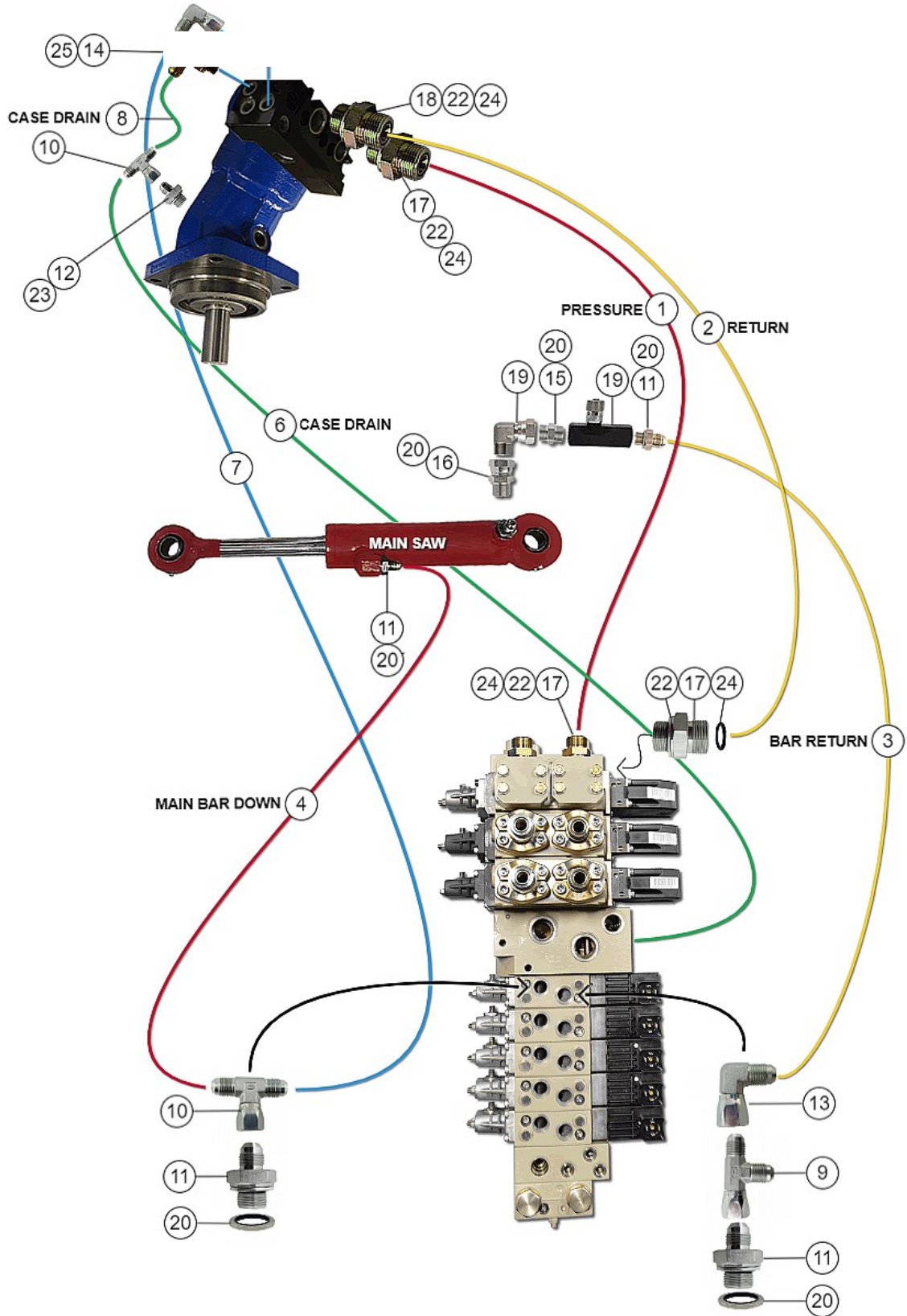
*All manufacturers names, numbers, marks, trademarks and symbols and descriptions are used for reference purposes only. Use of parts not supplied from the original manufacturer on machines under manufacturer warranty could potentially void your manufacturer warranty. Machined parts are built by Axis, not the original manufacturer.

Tilt Cylinder Hose & Fittings

No.	Axis Part No	Qty	Description	Notes
1	H6351500	1	HOSE - TILT CYL BLANK END TO A PORT	
2	H6351250	1	HOSE - TILT CYL ROD END TO B PORT	
3	HF4060-8-8	2	FITTING - #8 BSP MALE X #8 ORFS MALE	
4	HF7969-8-8	3	FITTING - #8 ORFS MALE X #8 ORFS FEMALE 90 DEG	
5	R24323C	7	O RING #8 ORFS	
6	BSP8	4	BSPP BONDED SEAL #8 (1/2")	

*All manufacturers names, numbers, marks, trademarks and symbols and descriptions are used for reference purposes only. Use of parts not supplied from the original manufacturer on machines under manufacturer warranty could potentially void your manufacturer warranty. Machined parts are built by Axis, not the original manufacturer.

3/4" Main Saw Hose & Fittings



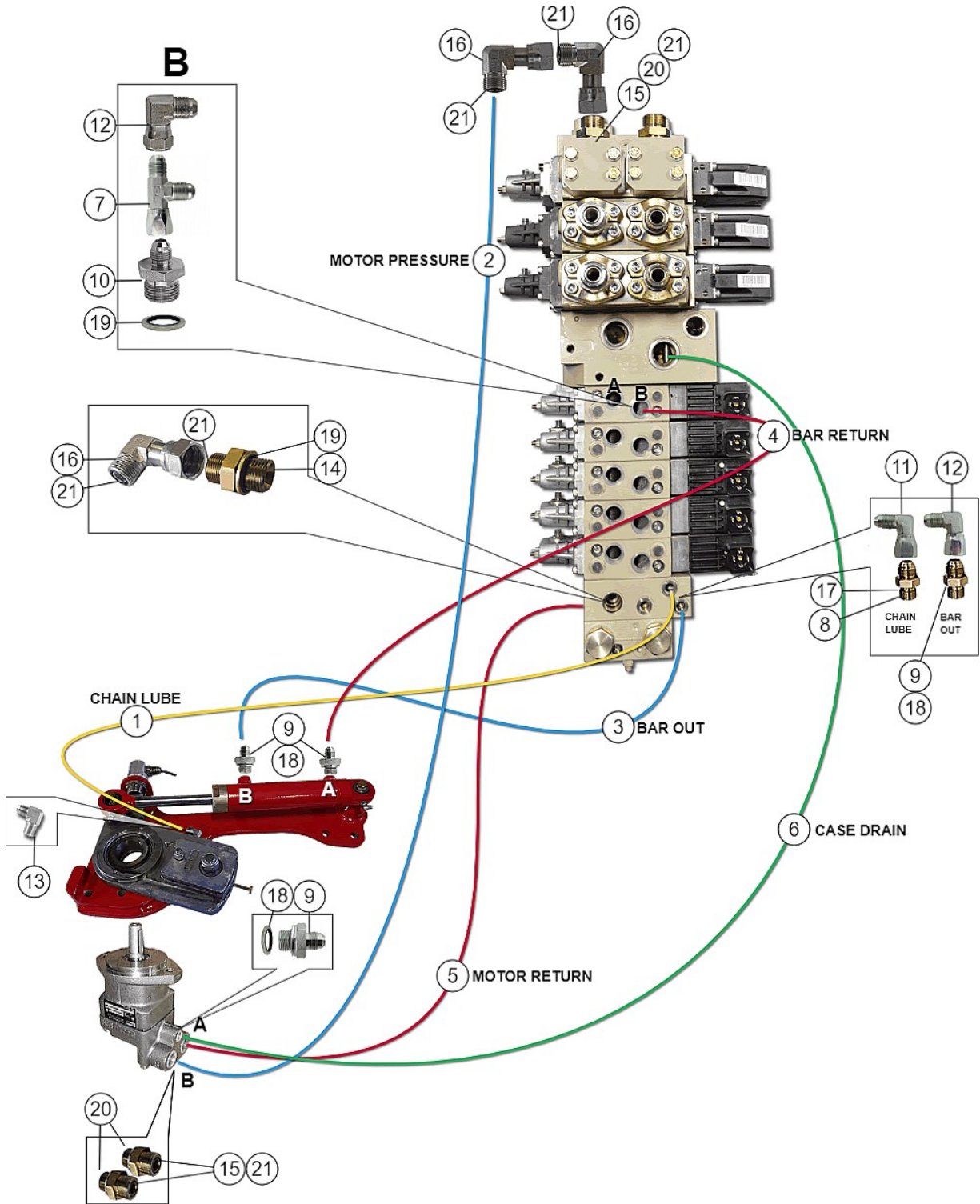
*All manufacturers names, numbers, marks, trademarks and symbols and descriptions are used for reference purposes only. Use of parts not supplied from the original manufacturer on machines under manufacturer warranty could potentially void your manufacturer warranty. Machined parts are built by Axis, not the original manufacturer.

3/4" Main Saw Hose & Fittings

No.	Axis Part No	Qty	Description	Notes
1	H4351446	1	SAW MTR SUPPLY - MTR B PORT TO PVG120 B PORT	
2	H4351349	1	SAW MTR RETURN - MTR A PORT TO PVG120 END BLOCK	
3	H4351820	1	HOSE - PVG 32 B PORT TO FLOW CONTROL VALVE	
4	H4352380	1	HOSE - PVG32 A PORT TO CYLINDER ROD END	
6	H4352030	1	HOSE - SAW MTR CD TO MID INLET CD PORT	
7	H4350420	1	HOSE - SAW MTR CD JUMPER TO SAW MTR MANIFOLD	
8	HF202030-6-6-6	1	RUN TEE FITTING JIC #6 M/M/F	
9	HF203020-6-6-6	1	TEE FITTING - #6 JIC M/F/M	
11	HF2040-6-6	4	FITTING - #6 JIC MALE X #6 BSP MALE	
12	HF2091-6-18	1	FITTING - #6 JIC MALE X M18 X 1.5 MALE	
13	HF2939-6-6	1	FITTING - #6 JIC MALE X #6 JIC FEMALE 90 DEGREE	
14	HF2949-6-4	1	FITTING - #6 JIC X #4 MBSP 90 DEGREE	
15	HF4040-6-6	1	FITTING - STRAIGHT 3/8" BSP x 3/8" BSP M/M	
16	HF4050-6-6	1	FITTING - STRAIGHT 3/8" BSP MALE x 3/8" BSP FEMALE SWIVELLING	
17	HF4060-12-12	2	FITTING - #12 BSPP MALE X #12 ORFS MALE	
18	HF4060-12-12SPECIAL	1	FITTING - #12 BSPP TO #12 ORFS WITH ORIFICE INSIDE	
19	HF4959-6-6	1	FITTING - #6 BSP MALE X #6 BSP FEMALE 90 DEG	
20	BSP6	4	BSP BONDED SEAL #6	
22	BSP12	3	BSPP BONDED SEAL #12	
23	BSP18M	1	METRIC BONDED SEAL M18	
24	R24327C	4	O-RING - #12 ORFS	
25	ORB3-906V	1	VITON #6 ORB ORING	

*All manufacturers names, numbers, marks, trademarks and symbols and descriptions are used for reference purposes only. Use of parts not supplied from the original manufacturer on machines under manufacturer warranty could potentially void your manufacturer warranty. Machined parts are built by Axis, not the original manufacturer.

Axis Top Saw Hose and Fittings



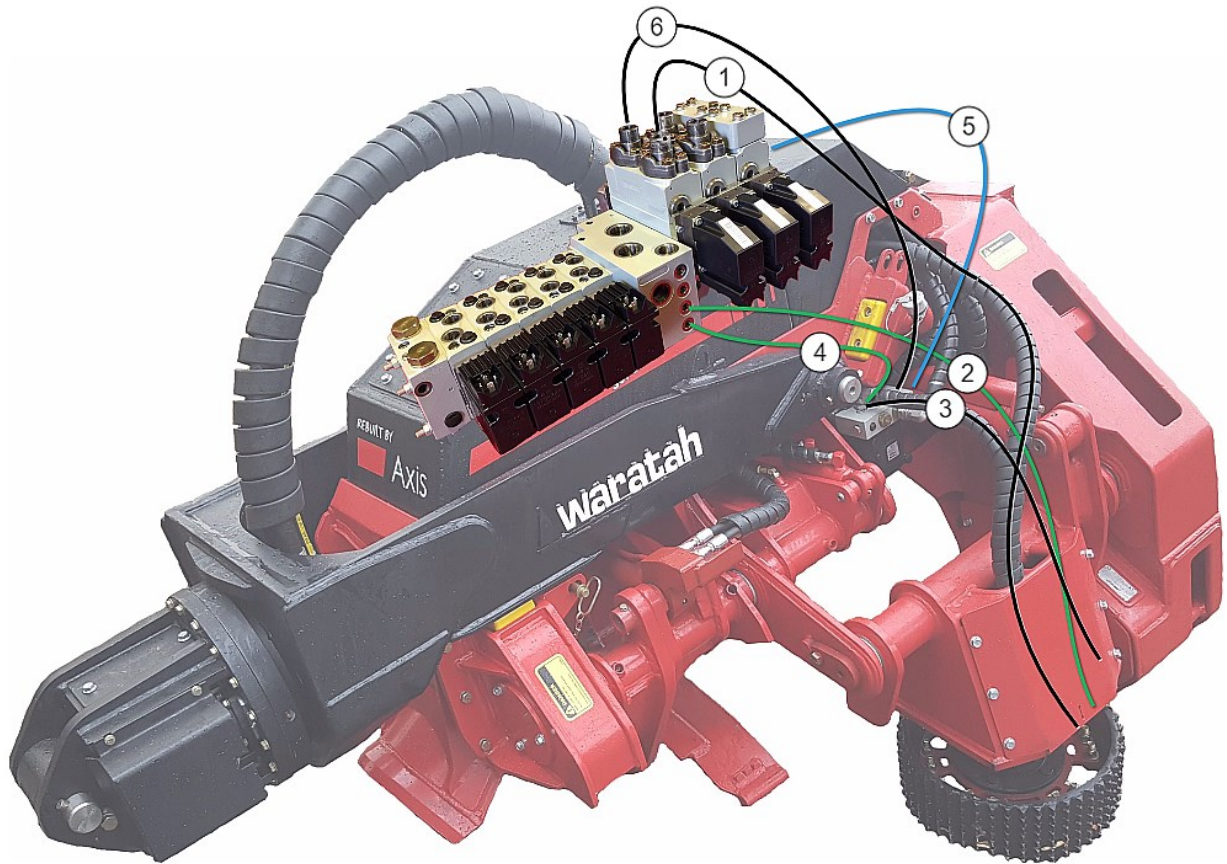
*All manufacturers names, numbers, marks, trademarks and symbols and descriptions are used for reference purposes only. Use of parts not supplied from the original manufacturer on machines under manufacturer warranty could potentially void your manufacturer warranty. Machined parts are built by Axis, not the original manufacturer.

Axis Top Saw Hose and Fittings

No.	Axis Part No	Qty	Description	Notes
1	H9461120	1	HOSE - TOP SAW OILER SWING ARM TO TOP SAW BLOCK	
2	H9461190	1	HOSE - TOP MTR SUPPLY LINE MTR A PORT TO PVG120A PORT	
3	H9460770	1	HOSE - TOP SAW CYL ROD END TO TOP SAW BLOCK	
4	H9461230	1	HOSE - TOP SAW CYL BLANK END TO PVG32 B PORT	
5	H9460480	1	HOSE - TOP SAW MTR RETURN LINE MTR B PORT TO TOP SAW BLK	
6	H9460904	1	HOSE - TOP SAW MTR CD PORT TO MID INLET CD PORT	
7	HF202030-6-6-6	1	RUN TEE FITTING JIC #6 M/M/F	
8	HF2040-4-4	1	FITTING - #4 JIC MALE X #4 BSPP MALE	
9	HF2040-6-6	3	FITTING - #6 JIC MALE X #6 BSP MALE	
10	HF2040-6-8	1	FITTING - #6 JIC MALE X #8 BSP MALE	
11	HF2939-6-6	1	FITTING - #6 JIC MALE X #6 JIC FEMALE 90 DEGREE	
12	HF2947-4-2	1	FITTING - #4 JIC MALE X #2 BSPT MALE 90 DEGREE TOP SAW OILER	
13	HF4060-8-8	1	FITTING - #8 BSP MALE X #8 ORFS MALE	
14	HF4060-12-8	2	FITTING - #12 BSPP MALE X #8 ORFS MALE..	
15	HF7969-8-8	3	FITTING - #8 ORFS MALE X #8 ORFS FEMALE 90 DEG..	
16	BSP4	1	BSPP BONDED SEAL #4	
17	BSP6	3	BSP BONDED SEAL #6	
18	BSP8	1	BSPP BONDED SEAL #8 (1/2")	
19	BSP12	2	BSPP BONDED SEAL #12	
21	R24323C	6	O-RING #8 ORFS	

*All manufacturers names, numbers, marks, trademarks and symbols and descriptions are used for reference purposes only. Use of parts not supplied from the original manufacturer on machines under manufacturer warranty could potentially void your manufacturer warranty. Machined parts are built by Axis, not the original manufacturer.

Left Feed Motor Hoses



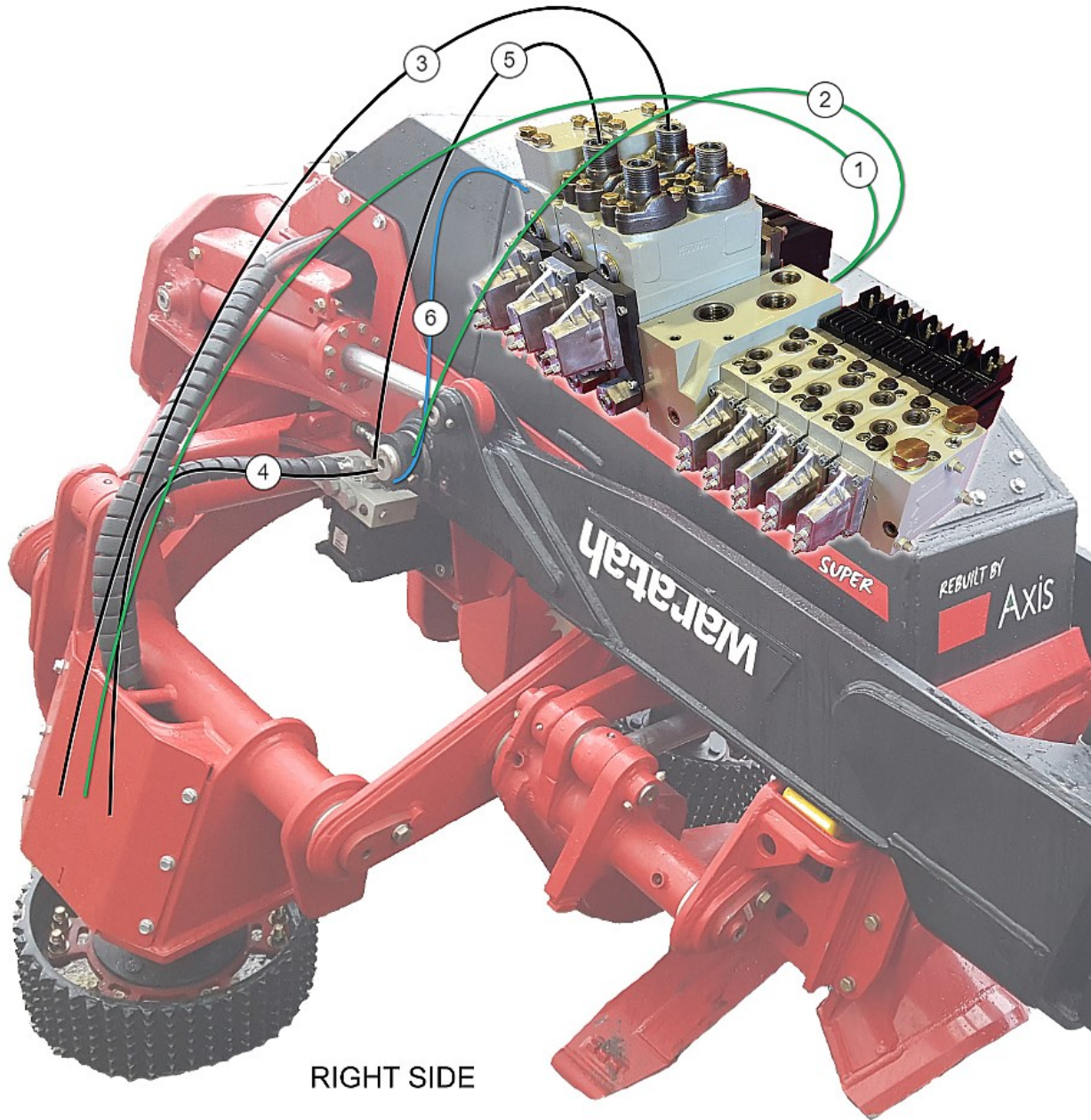
*All manufacturers names, numbers, marks, trademarks and symbols and descriptions are used for reference purposes only. Use of parts not supplied from the original manufacturer on machines under manufacturer warranty could potentially void your manufacturer warranty. Machined parts are built by Axis, not the original manufacturer.

Left Feed Motor Hoses

No.	Axis Part No	Qty	Description	Notes
1	H7351920	1	HOSE - LH OUTER FEED MTR PORT TO PVG120 B PORT	
2	H7351980	1	HOSE - LH OUTER MTR CASE DRAIN TO MID INLET CD PORT	
3	H7350970	1	HOSE - FIXED MTR MANIFOLD TO OUTER R PORT	
4	H7351200	1	HOSE - 624 LH FIXED MTR CD PORT TO MID INLET CD	
5	H7350790	1	HYDRUALIC HOSE - FIXED MOTOR RELIEF PORT TO PVG120 END BLOCK TEE	
6	H7351430	1	HOSE - LH FIXED MTR MANIFOLD TO PVG120 A PORT	

*All manufacturers names, numbers, marks, trademarks and symbols and descriptions are used for reference purposes only. Use of parts not supplied from the original manufacturer on machines under manufacturer warranty could potentially void your manufacturer warranty. Machined parts are built by Axis, not the original manufacturer.

Right Feed Motor Hoses



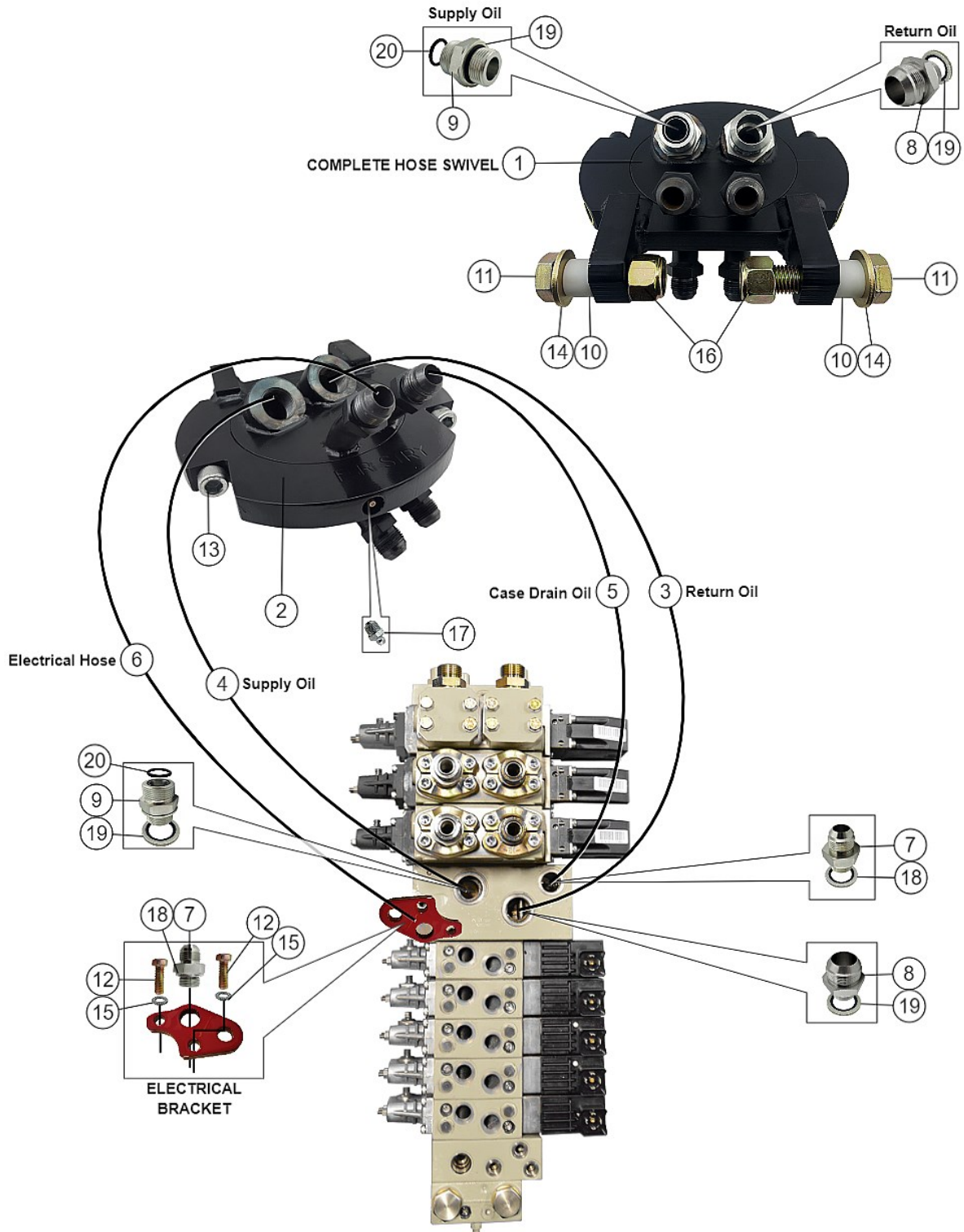
*All manufacturers names, numbers, marks, trademarks and symbols and descriptions are used for reference purposes only. Use of parts not supplied from the original manufacturer on machines under manufacturer warranty could potentially void your manufacturer warranty. Machined parts are built by Axis, not the original manufacturer.

Right Feed Motor Hoses

No.	Axis Part No	Qty	Description	Notes
1	H7352240	1	HOSE - RH OUTER MTR CASE DRAIN TO MID INLET CD PORT	
2	H7351400	1	HYRAULIC HOSE - FIXED MOTOR CASE DRAIN TO MID INLET BLOCK CASE DRAIN PORT	
3	H7351990	1	HOSE - RH OUTER FEED MTR R PORT TO PVG120 B PORT	
4	H7350970	1	HOSE - FIXED MTR MANIFOLD TO OUTER R PORT	
5	H7350720	1	HOSE - RH FIXED MOTOR MANIFOLD TO PVG120 A PORT	
6	H7350790	1	HYDRUALIC HOSE - FIXED MOTOR RELIEF PORT TO PVG120 END BLOCK TEE	

*All manufacturers names, numbers, marks, trademarks and symbols and descriptions are used for reference purposes only. Use of parts not supplied from the original manufacturer on machines under manufacturer warranty could potentially void your manufacturer warranty. Machined parts are built by Axis, not the original manufacturer.

270° Hose Swivel Hose and Fittings



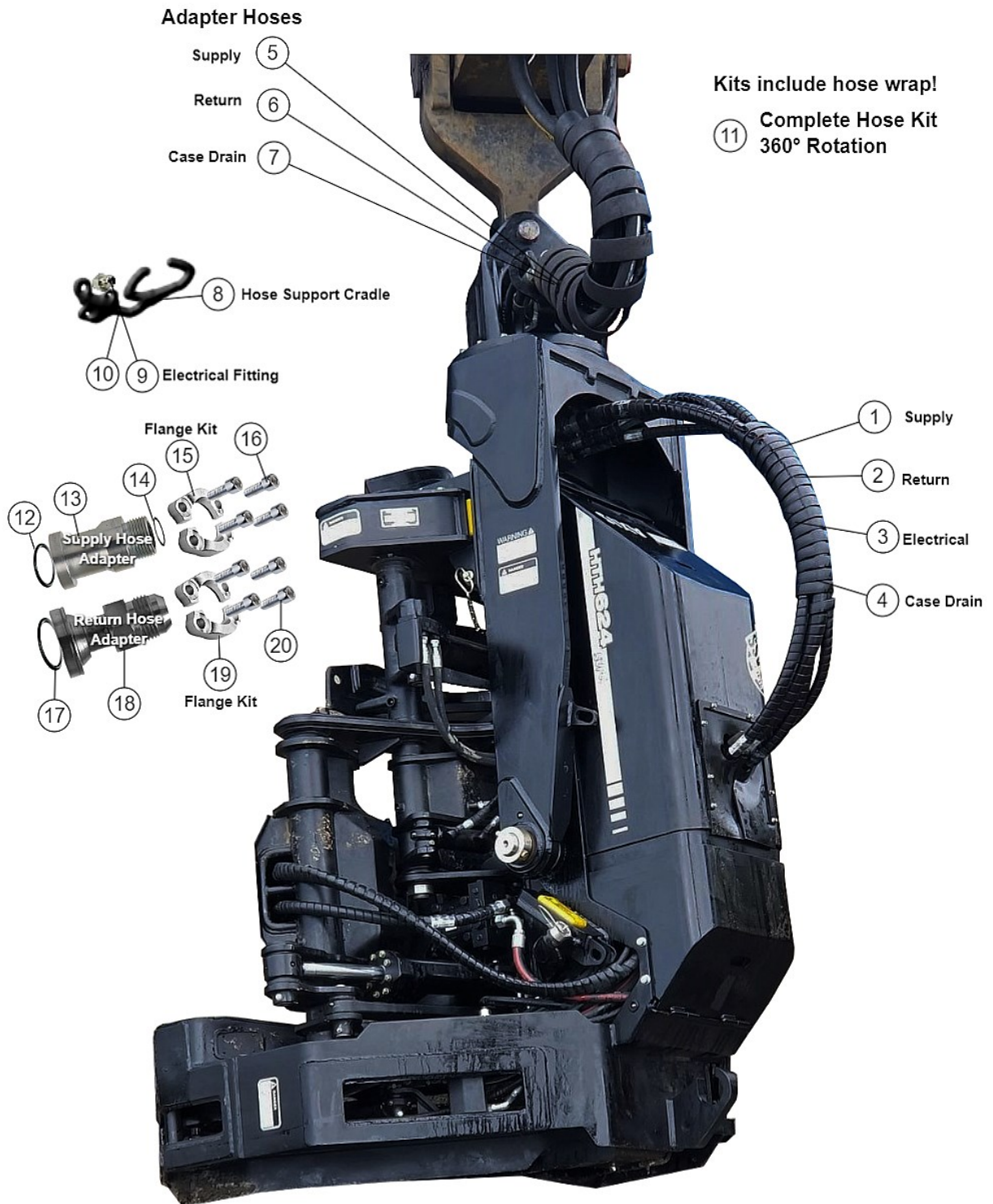
*All manufacturers names, numbers, marks, trademarks and symbols and descriptions are used for reference purposes only. Use of parts not supplied from the original manufacturer on machines under manufacturer warranty could potentially void your manufacturer warranty. Machined parts are built by Axis, not the original manufacturer.

270° Hose Swivel Hose and Fittings

No.	Axis Part No	Qty	Description	Notes
1	HS640100	1	HOSE SWIVEL COMPLETE	
2	HS640101	1	HOSE SWIVEL - HEAVY DUTY	
3	H6431630	1	MAIN VALVE RETURN	
4	H6431645	1	HYDRAULIC HOSE PRESSURE LINE	
5	H6431660	1	HOSE - MAIN VALVE CASE DRAIN	
6	H6431680	1	HOSE - MAIN VALVE ELECTRICAL	
7	HF2040-12-12	2	FITTING - #12 JIC MALE TO #12 BSP MALE	
8	HF2040-20-16	2	FITTING, #20 JIC MALE X #16 BSPP MALE	
9	HF4060-16-16	2	FITTING, #16 BSPP MALE X #16 ORFS MALE	
10	BW282320	2	NYLONG BUSHING	
11	GFB1875325	2	BOLT - 7/8" X 3 1/4" INC HEX	
12	GFB1437125	2	BOLT - 7/16" X 1.25" UNC HEX	
13	GFB3625275	2	BOLT - S/CAP 5/8" X 2 3/4" UNC	
14	GFW1875	2	WASHER 7/8" HARDENED	
15	GFW5437	2	ANTI-VIBRATION LOCKWASHER 7/16"	
16	GFN4875	2	NUT - NYLOCK 7/8" UNC	
17	GFZ14P	1	GREASE FITTING	
18	BSP12	2	BSP BONDED SEAL #12	
19	BSP16	2	BSP BONDED SEAL #16	
20	R24330C	1	O RING	

*All manufacturers names, numbers, marks, trademarks and symbols and descriptions are used for reference purposes only. Use of parts not supplied from the original manufacturer on machines under manufacturer warranty could potentially void your manufacturer warranty. Machined parts are built by Axis, not the original manufacturer.

360 Degree Hose & Fittings



Adapter Hoses

Supply (5)

Return (6)

Case Drain (7)

(8) Hose Support Cradle

(10) (9) Electrical Fitting

Flange Kit

(12) (13) (14) (15) (16) Supply Hose Adapter
 (17) (18) (19) (20) Return Hose Adapter
Flange Kit

Kits include hose wrap!

(11) Complete Hose Kit
360° Rotation

(1) Supply

(2) Return

(3) Electrical

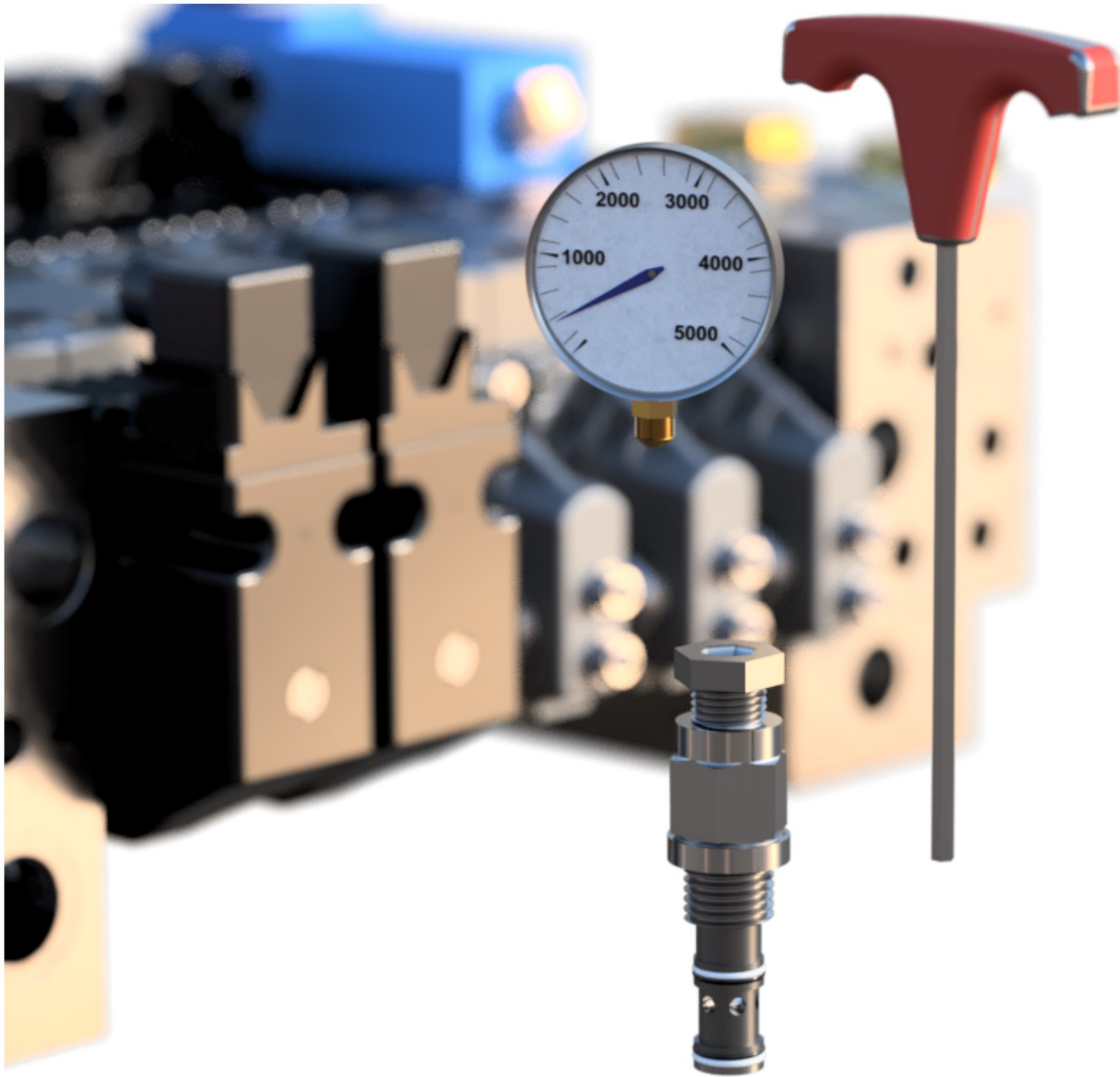
(4) Case Drain

*All manufacturers names, numbers, marks, trademarks and symbols and descriptions are used for reference purposes only. Use of parts not supplied from the original manufacturer on machines under manufacturer warranty could potentially void your manufacturer warranty. Machined parts are built by Axis, not the original manufacturer.

Hose Wrap

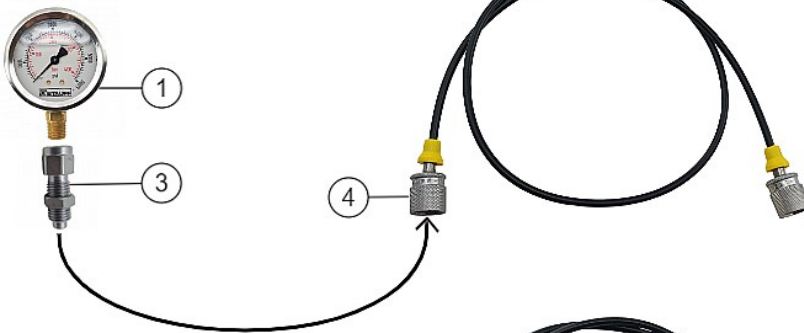
No.	Axis Part No	Qty	Description	Notes
1	H6431645	1	HOSE - 624 MAIN VALVE SUPPLY	
2	H6431630	1	HOSE - 624 MAIN VALVE RETURN	
3	H6431680	1	HOSE - 624 MAIN VALVE ELECTRICAL	
4	H6431660	1	HOSE - 624 MAIN VALVE CASE DRAIN	
5	H6430355	1	ADAPTER SUPPLY HOSE	
6	H6430356	1	ADAPTER RETURN HOSE	
7	H6430406	1	ADAPTER CASE DRAIN	
8	RT100112	1	360° ROTATE HOSE CRADLE	
9	RT100113	1	SPECIAL BSP FITTING	
10	BSP12	1	BSPP BONDED SEAL #12	
11	HK604-2	1	HOSE KIT FOR 270° ROTATION	
12	HK604-360	1	HOSE KIT FOR 360° ROTATION	

*All manufacturers names, numbers, marks, trademarks and symbols and descriptions are used for reference purposes only. Use of parts not supplied from the original manufacturer on machines under manufacturer warranty could potentially void your manufacturer warranty. Machined parts are built by Axis, not the original manufacturer.

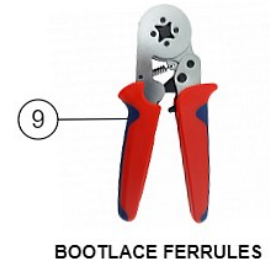
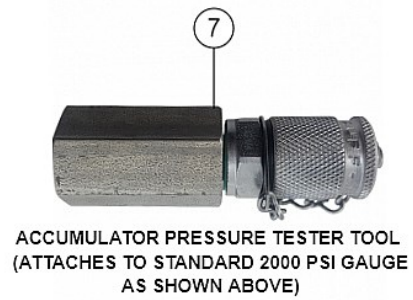
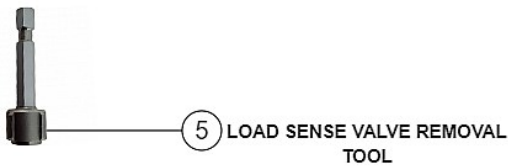
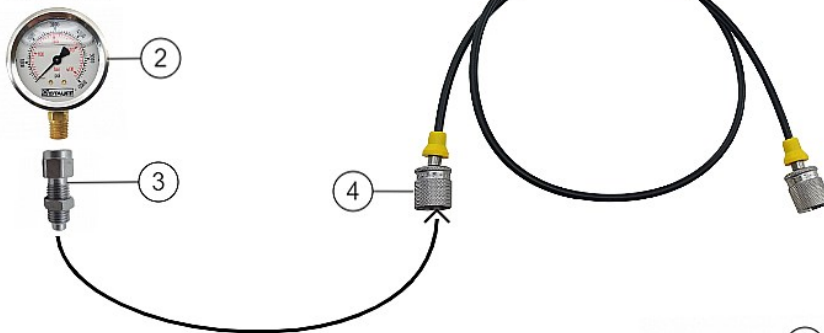


TOOLS & KITS

2000 PSI



6000 PSI



*All manufacturers names, numbers, marks, trademarks and symbols and descriptions are used for reference purposes only. Use of parts not supplied from the original manufacturer on machines under manufacturer warranty could potentially void your manufacturer warranty. Machined parts are built by Axis, not the original manufacturer.

Axis Tools

No.	Axis Part No	Qty	Description	Notes
1	HF14TP-2000	1	2000 PSI GAUGE	
2	HF14TP-6000	1	6000 PSI GAUGE	
3	HF14TPA	1	TEST PORT HOSE ADAPTER TO #4 FNPT	
4	HF14TPH	1	TEST PORT HOSE 36"	
5	HV290905T	1	LOAD SENSE VALVE REMOVAL TOOL	
6	MS345149	1	CHECK VALVE ALLEN KEY	
7	MW103538	1	GAUGE ADAPTER FITTING	
8	MS345011	1	TOOL - SUPERCUT MAIN SAW CHECK VALVE REMOVAL	
9	EP750100	1	CRIMP TOOL - BOOTLACE FERRULES	
10	EP910150	1	DEUTSCH CRIMP TOOL 16 GAUGE	
11	EP905005	1	DEUTSCH PULLER RED	
12	EP910151	1	DEUTSCH CRIMP TOOL 20 GAUGE	

*All manufacturers names, numbers, marks, trademarks and symbols and descriptions are used for reference purposes only. Use of parts not supplied from the original manufacturer on machines under manufacturer warranty could potentially void your manufacturer warranty. Machined parts are built by Axis, not the original manufacturer.

Axis Kits

Axis Kits



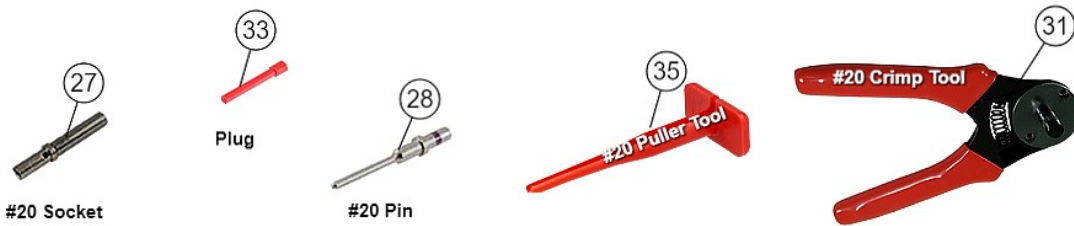
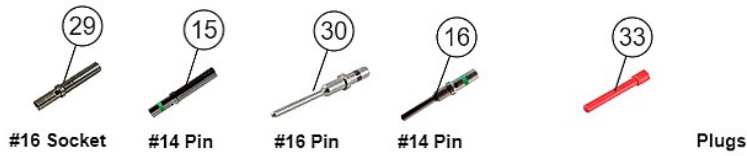
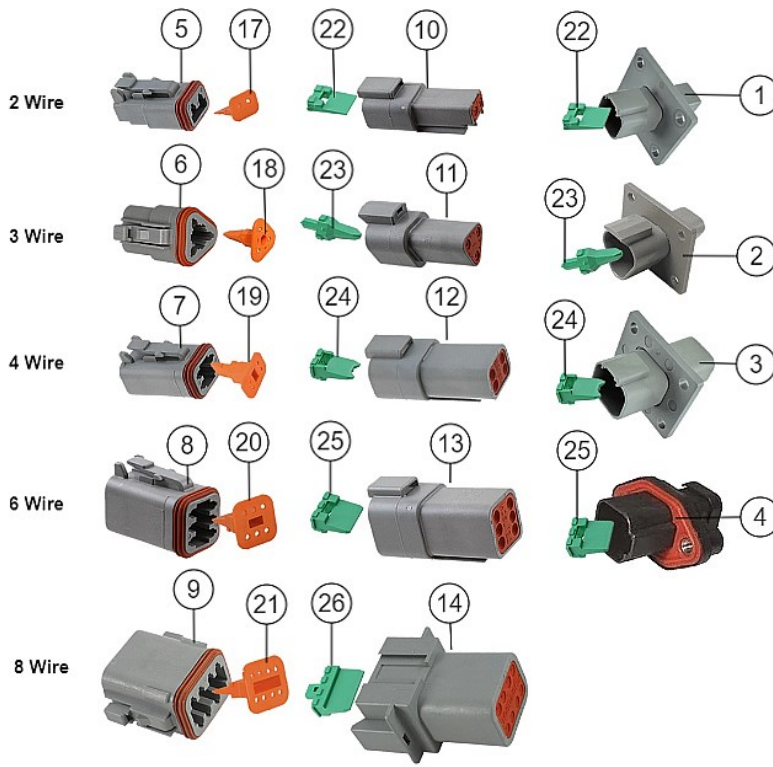
*All manufacturers names, numbers, marks, trademarks and symbols and descriptions are used for reference purposes only. Use of parts not supplied from the original manufacturer on machines under manufacturer warranty could potentially void your manufacturer warranty. Machined parts are built by Axis, not the original manufacturer.

Axis Kits

No.	Axis Part No	Qty	Description	Notes
1	EP910152	1	DEUTSCH SERVICE KIT	
2	ORK2016	1	COMMON O-RING KIT	
3	HP480100	1	HANDLE KIT - DANFOSS HANDLES	INCLUDES POTENTIOMETER
4	HP480101	1	HANDLE KIT - DANFOSS HANDLES	LESS POTENTIOMETER
5	GFW100	1	ANTI-VIBRATION LOCKWASHER KIT 1/4"-3/4"	

*All manufacturers names, numbers, marks, trademarks and symbols and descriptions are used for reference purposes only.
Use of parts not supplied from the original manufacturer on machines under manufacturer warranty could potentially void your
manufacturer warranty. Machined parts are built by Axis, not the original manufacturer.

Deutsch Parts



*All manufacturers names, numbers, marks, trademarks and symbols and descriptions are used for reference purposes only. Use of parts not supplied from the original manufacturer on machines under manufacturer warranty could potentially void your manufacturer warranty. Machined parts are built by Axis, not the original manufacturer.

Deutsch Parts

No.	Axis Part No	Qty	Description	Notes
1	EP100215	1	2 WIRE FLANGE MOUNT RECEPTACLE	
2	EP100209	1	3 WIRE FLANGE MOUNT RECEPTACLE	
3	EP100210	1	4 WIRE FLANGE MOUNT RECEPTACLE	
4	EP100211	1	6 WIRE FLANGE MOUNT RECEPTACLE	
5	EP910172	1	2 WIRE PLUG	
6	EP910173	1	3 WIRE PLUG	
7	EP910174	1	4 WIRE PLUG	
8	EP910176	1	6 WIRE PLUG	
9	EP910178	1	8 WIRE PLUG	
10	EP910132	1	2 WIRE RECEPTACLE	
11	EP910133	1	3 WIRE RECEPTACLE	
12	EP910134	1	4 WIRE RECEPTACLE	
13	EP910136	1	6 WIRE RECEPTACLE	
14	EP910138	1	8 WIRE RECEPTACLE	
15	EP920201	1	ORANGE WEDGELOCK FOR 2 WIRE PLUG	
16	EP920301	1	ORANGE WEDGELOCK FOR 3 WIRE PLUG	
17	EP920401	1	ORANGE WEDGELOCK FOR 4 WIRE PLUG	
18	EP920602	1	ORANGE WEDGELOCK FOR 6 WIRE PLUG	
19	EP920801	1	ORANGE WEDGELOCK FOR 8 WIRE PLUG	
20	EP920202	1	GREEN WEDGELOCK FOR 2 WIRE RECEPTACLE	
21	EP920302	1	GREEN WEDGELOCK FOR 3 WIRE RECEPTACLE	
22	EP920402	1	GREEN WEDGELOCK FOR 4 WIRE RECEPTACLE	
23	EP920602	1	GREEN WEDGELOCK FOR 6 WIRE RECEPTACLE	
24	EP920802	1	GREEN WEDGELOCK FOR 8 WIRE RECEPTACLE	
25	EP910220	1	SOCKET TERMINAL #20	
26	EP910221	1	PIN TERMINAL #20	
27	EP910210	1	SOCKET TERMINAL #16	
28	EP910211	1	PIN TERMINAL #16	
29	EP910151	1	CRIMP TOOL 20 GAUGE	
30	EP910150	1	CRIMP TOOL 16 GAUGE	
31	EP910320	1	SEAL PLUG #20 RED	
32	EP910316	1	SEAL PLUG #16 WHITE	
33	EP905005	1	DEUTSCH PULLER RED	
34	EP910326A	1	DEUTSCH PLUG "A KEY"	
35	EP910326B	1	DEUTSCH PLUG "B KEY"	
36	EP910326C	1	DEUTSCH PLUG "C KEY"	
37	EP910326D	1	DEUTSCH PLUG "D KEY"	

*All manufacturers names, numbers, marks, trademarks and symbols and descriptions are used for reference purposes only. Use of parts not supplied from the original manufacturer on machines under manufacturer warranty could potentially void your manufacturer warranty. Machined parts are built by Axis, not the original manufacturer.

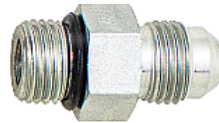
O-Rings

							
FITTING SIZE	ORFS FLAT FACE	ORB O-RING BOSS	BSP BONDED SEAL	BSP CAPTIVE SEAL	BSP O-RING W/BACKNUT	CODE 61 FLANGE	CODE 62 FLANGE
1/8" -2			BSP2	ED2	T154417C		
1/4" -4	R24320C	ORB3-904	BSP4	ED4	R24420C		
3/8" -6	R24321C	ORB3-906	BSP6	ED6	R24422C		
1/2" -8	R24323C	ORB3-908	BSP8	ED8	R249479C		
5/8" -10	R24325C	ORB3-910	BSP10	ED10	ORB3-910		
3/4" -12	R24327C	ORB3-912	BSP12	ED12	T314479C		R24523C
1" -16	R24330C	ORB3-916	BSP16	ED16	R24526C		R24528C
1-1/4" -20	R24334C		BSP20	ED20		R24531C	

METRIC

M6			BSP6M				
M18			BSP18M				

Fittings



ORFS FLAT FACE

ORB O-RING BOSS

BSPF

JIC

	ORFS FLAT FACE		ORB O-RING BOSS		BSPF		JIC	
1/8" -2			PLUG	HF80-2				
1/4" -4	CAP	HF70-4	PLUG	HF80-4	CAP	HF50-4	CAP	HF30-4
	PLUG	HF60-4			PLUG	HF40-4	PLUG	HF20-4
3/8" -6	CAP	HF70-6	PLUG	HF80-6	CAP	HF50-6	CAP	HF30-6
	PLUG	HF60-6			PLUG	HF40-6	PLUG	HF20-6
1/2" -8	CAP	HF70-8	PLUG	HF80-8	CAP	HF50-8	CAP	HF30-8
	PLUG	HF60-8			PLUG	HF40-8	PLUG	HF20-8
5/8" -10	CAP	HF70-10	PLUG	HF80-10	CAP	HF50-10	CAP	HF30-10
	PLUG	HF60-10			PLUG	HF40-10	PLUG	HF20-10
3/4" -12	CAP	HF70-12	PLUG	HF80-12	CAP	HF50-12	CAP	HF30-12
	PLUG	HF60-12			PLUG	HF40-12	PLUG	HF20-12
1" -16	CAP	HF70-16			CAP	HF50-16	CAP	HF30-16
	PLUG	HF60-16			PLUG	HF40-16	PLUG	HF20-16
1-1/4"	CAP	HF70-20					CAP	HF30-20
	PLUG	HF60-20					PLUG	HF20-20

AXIS

FORESTRY INC

Axis Forestry Inc.

Kamloops, BC, Canada

Post Falls, ID, U.S.A.

Toll Free North America: 1-888-678-2947

Local: 1-778-471-2947

www.axisforestry.com

Email: parts@axisforestry.com