



**AXIS**

FORESTRY INC

622B PARTS  
CATALOG

FEB 2024

**\* Reference this Serial Number when contacting  
Axis Forestry Inc. for Parts, Service &  
Tech Support**

---



IT'S TIME TO UPDATE YOUR COMPUTER TO THE  
CYPRESS

**SOFTWARE** Easy to install and set up. Easy to navigate touch screen.

**SETTINGS** Easy to use settings.

**CONNECT** Remotely view production status, reports, latest software updates.

**PERFORM** Accurate measuring. Easy to calibrate and set pressures.

**PROFILE** Set-up operator profiles for machine access and custom settings.

**CUSTOMIZE** Each operator can custom map their grip profile and grip type



# AFTERMARKET PARTS CATALOG

## **Axis Forestry Inc.**

Kamloops, BC, Canada

Post Falls, ID, U.S.A.

Toll Free North America: 1-888-678-2947

Local: 1-778-471-2947

[www.axisforestry.com](http://www.axisforestry.com)

Email: [parts@axisforestry.com](mailto:parts@axisforestry.com)

This parts catalog is produced for logging contractors who own Waratah 622B processor attachments and who own a processor that has been rebuilt by Axis Forestry Inc. Axis Forestry Inc. has no affiliation with Waratah Forestry Attachments whatsoever. All parts listed in this catalog are manufactured and provided by Axis Forestry Inc. with no affiliation with Waratah Forestry Attachments. Trademark names, marks and symbols are for customer reference purposes only.

### **Copyright 2020-2024 Axis Forestry Inc.**

No part of this document may be duplicated or photocopied without the written permission of Axis Forestry Inc.





# CONTENTS

## GUARDS AND COVERS GROUP

Guards and Covers .....	12
-------------------------	----

## ROTATE AND TILT GROUP

270° Rotator.....	16
270° Swivel.....	18
Tilt .....	20
Tilt Bumpers .....	22
360° Rotator.....	24
360° Continuous Rotation.....	26

## CYLINDERS GROUP

Delimb Arm Cylinder .....	30
Tilt Cylinder .....	32
Feed Arm Cylinders .....	34
Measuring Arm Cylinder .....	36
Top Saw Cylinder.....	38
3/4" Saw Cylinder.....	40

## DELIMBING GROUP

Front Knife.....	44
Delimb Arms.....	46

## FEED ARM AND FEED MOTORS GROUP

Feed Arms Pins and Bushings .....	50
Feed Wheels and Motors.....	52
Fixed Feed Motor .....	54

## LENGTH AND DIAMETER MEASURING GROUP

Length Measuring Assembly .....	58
Length Measuring Wheels .....	60
Accumulator.....	62
Find End .....	64
Diameter Measuring .....	66

**COMPUTER GROUP**

**Axis Product Made to Fit LogRite**

Head Module..... 70  
270° Rotation Heads - Boom Wiring..... 72  
Head Wiring ..... 74  
Cab Module ..... 76  
Key Switch Box and Cable ..... 78  
Display Screens and Menu Navigation ..... 80  
Pump Solenoids.....82  
Danfoss Control Handles..... 84  
Species/Preselect Keypad ..... 86  
Axis Control Handles ..... 88  
Sure Grip Control Handles ..... 90

**Axis Product Made to Fit TimberRite**

Head Module..... 92  
270° Rotation Heads - Boom Wiring..... 94  
360° Rotation Heads - Boom Wiring..... 96  
Head Wiring ..... 98  
Cab Component ..... 100  
Terminal Box ..... 102  
Pump Solenoids & Wiring ..... 104  
Danfoss Control Handles..... 106  
Danfoss Species/Preselect Keypad ..... 108  
Sure Grip Control Handles ..... 110

**MAIN SAW AND TOP SAW GROUP**

Chain Oil Cap, Bar and Chain ..... 114  
Supercut 100 Main Saw ..... 116  
Supercut 100 Main Saw Sensor Cover ..... 118  
Supercut 100 Main Saw Cylinder ..... 120  
Supercut 100 Main Saw Chain Lube System..... 122  
Supercut 100 Main Saw Motor and Sprocket..... 124  
Supercut 100 Tension Assembly ..... 126  
3/4" Main Saw..... 128  
3/4" Main Saw Sprocket Assembly ..... 130  
Top Saw Assembly..... 132  
Top Saw Motor and Sprocket Assembly ..... 134

**VALVE BANK GROUP**

Valve Bank Mounting..... 138  
Valve Bank Master Seal Kit ..... 140  
Main Inlet Manifold Front & Left View w/Supercut 100 Saw.... 142  
Main Inlet Manifold Front & Left View w/3/4" Saw ..... 144  
Main Inlet Supercut 100 and 3/4" Saw..... 146  
Top Saw/Measuring Manifold, SN# Up to 512, Left View ..... 148  
Top Saw/Measuring Manifold, SN# Up to 512, Right View ..... 150  
Top Saw/Measuring Manifold, SN# 513-784, Left View ..... 152  
Top Saw/Measuring Manifold, SN# 513-784, Right View..... 154  
Top Saw/Measuring Manifold, SN# 785-1999, Left View ..... 156  
Top Saw/Measuring Manifold, SN# 785-1999, Right View..... 158  
Pump Side Manifold..... 160  
Delimb Manifold ..... 162  
Tilt Manifold..... 164  
Feed Arm Manifold ..... 166  
Left Feed Motor Manifold..... 168  
Right Feed Motor Manifold ..... 170  
Saw Motors Manifold ..... 172

**HYDRAULIC HOSE AND FITTINGS GROUP**

Complete Hose Kits..... 176  
Spiral Hose Wrap..... 178  
Cylinders Hose and Fittings..... 180  
Measuring Hose and Fittings..... 182  
Feed Arm Hose and Fittings, No Relief Manifolds ..... 184  
Feed Arm Hose and Fittings, With Relief Manifolds ..... 186  
Top Saw Hose and Fittings ..... 188  
Main Saw Hose and Fittings - Supercut 100 ..... 190  
Main Saw Hose and Fittings - 3/4" ..... 192  
Main Inlet 270° Swivel Hose and Fittings ..... 194  
Main Inlet 360° Swivel Hose & Fittings..... 196

**ACCESSORIES**

Tools..... 200  
Kits..... 202  
Deustch Connector Parts ..... 204  
O-Rings ..... 206  
Plugs and Caps ..... 208

**HYDRAULIC HOSE AND FITTINGS GROUP**

Complete Hose Kits ..... 204  
Spiral Hose Wrap..... 206  
Cylinders Hose and Fittings ..... 208  
Measuring Hose and Fittings..... 210  
Feed Arm Hose and Fittings, No Relief Manifolds ..... 212  
Feed Arm Hose and Fittings, With Relief Manifolds ..... 214  
Top Saw Hose and Fittings ..... 216  
Main Saw Hose and Fittings - Supercut 100 ..... 218  
Main Saw Hose and Fittings - 3/4" ..... 220  
Main Inlet 270° Swivel Hose and Fittings ..... 222  
Main Inlet 360° Swivel Hose & Fittings..... 224

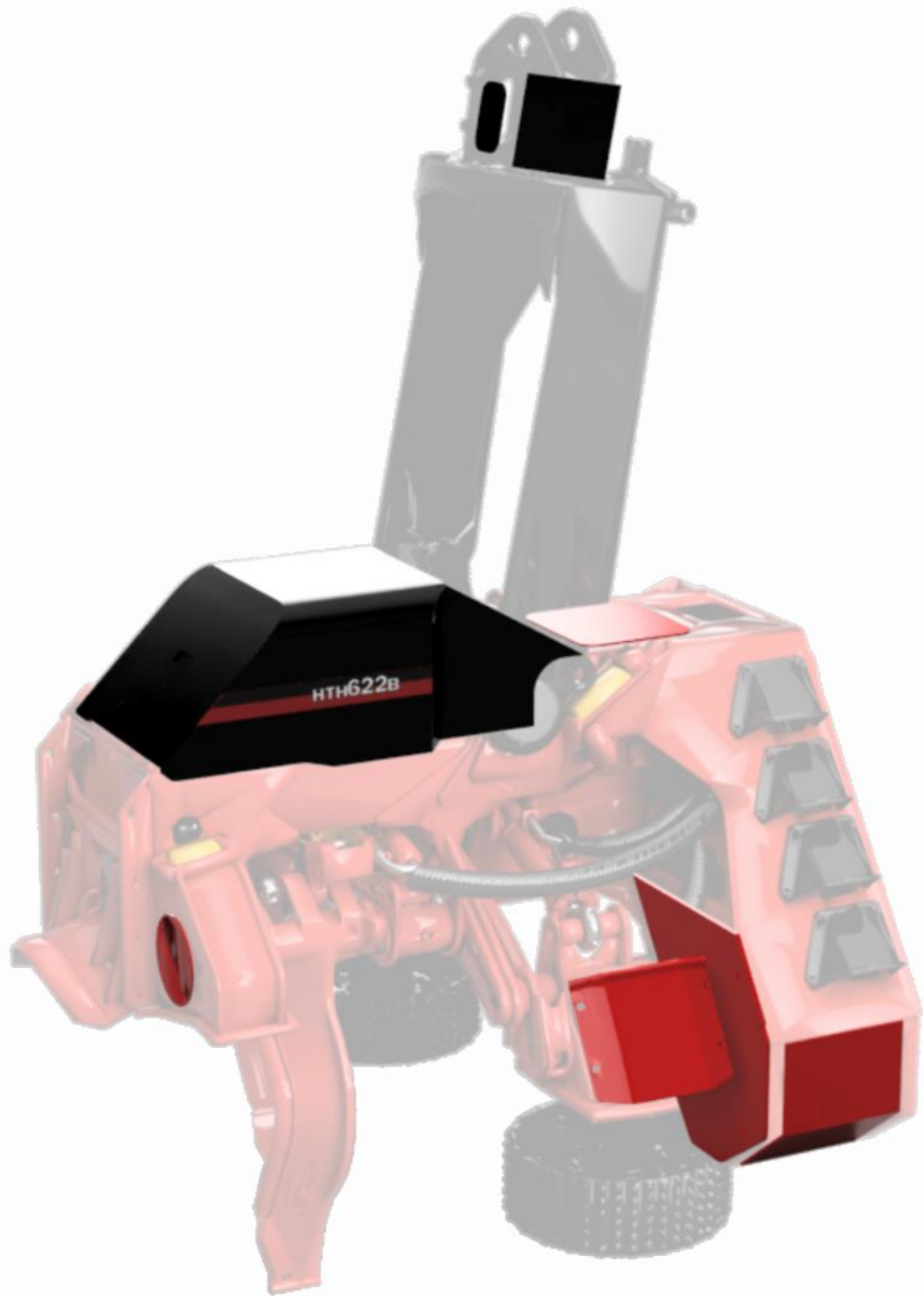
**ACCESSORIES**

Tools ..... 228  
Kits..... 230  
Deustch Connector Parts ..... 232  
O-Rings ..... 234  
Plugs and Caps ..... 235









# GUARDS & COVERS GROUP

Axis Guards and Covers



\*All manufacturers names, numbers, marks, trademarks and symbols and descriptions are used for reference purposes only. Use of parts not supplied from the original manufacturer on machines under manufacturer warranty could potentially void your manufacturer warranty. Machined parts are built by Axis, not the original manufacturer.

Axis Guards and Covers

No.	Axis Part No	Qty	Description	Notes
1	GFB1500100FL	1	BOLT, 1/2" X 1" UNC SERRATED FLANGE	
2	GC500100	1	VALVE BANK COVER	
3	GC500101	1	CLAMP FOR RUBBER COVER	
4	GC312015	1	RUBBER HOSE COVER	
5	GFB1375100	8	BOLT, 3/8" X 1" UNC HEX	
6	GFW5375	8	ANTI-VIBRATION LOCKWASHER 3/8"	
7	GFB1500150FW	2	HOOD BOLT	
8	GC622104	1	COVER, MAIN SAW INSPECTION	
9	GC622113	1	COVER, 622B MAIN SAW INSPECTION NEW STYLE	
10	GC945105	1	GUARD, TOP SAW	
11	GC129162	2	COVER, FEED ARM MAIN	
12	GC945101	1	GUARD, MAIN SAW SPROCKET, THREADED	
13	GC945102	1	GUARD, MAIN SAW SPROCKET, NON THREADED	
14	GFB1500125	1	BOLT, 1/2" X 1.25" UNC HEX	
15	GFW1500	2	WASHER, 1/2" HARDENED	
16	GFB1500200	2	BOLT, 1/2" X 2" UNC HEX	
17	GFN4500	2	NYLOCK NUT, 1/2" UNC	
18	GC945104	1	COVER, TOP SAW INSPECTION	
19	GC128150	1	GUARD, MEASURING CYLINDER	
20	GC945103	1	COVER, TOP SAW TOP	
21	GC128155	1	LENGTH MEASURING COVER	
22	GC622107	1	COVER, LARGE MAIN SAW GUARD ON TOP SIDE	
23	GC345016	1	SUPER CUT 100 SAW BOX DEBRIS SEAL	
24	GC622109	1	GUARD, MAIN SAW SIDE SC100	
25	GC622115	1	GUARD, 3/4" MAIN SAW SIDE	
26	GC622119	1	ROTATE GUARD	
27	GFB1375150	6	BOLT - 3/8" X 1.50" UNC HEX	
28	GFN4375	6	NUT - 3/8" NYLOCK UNC	
29	GFW1375	12	WASHER - 3/8" HARDENED	

\*All manufacturers names, numbers, marks, trademarks and symbols and descriptions are used for reference purposes only. Use of parts not supplied from the original manufacturer on machines under manufacturer warranty could potentially void your manufacturer warranty. Machined parts are built by Axis, not the original manufacturer.

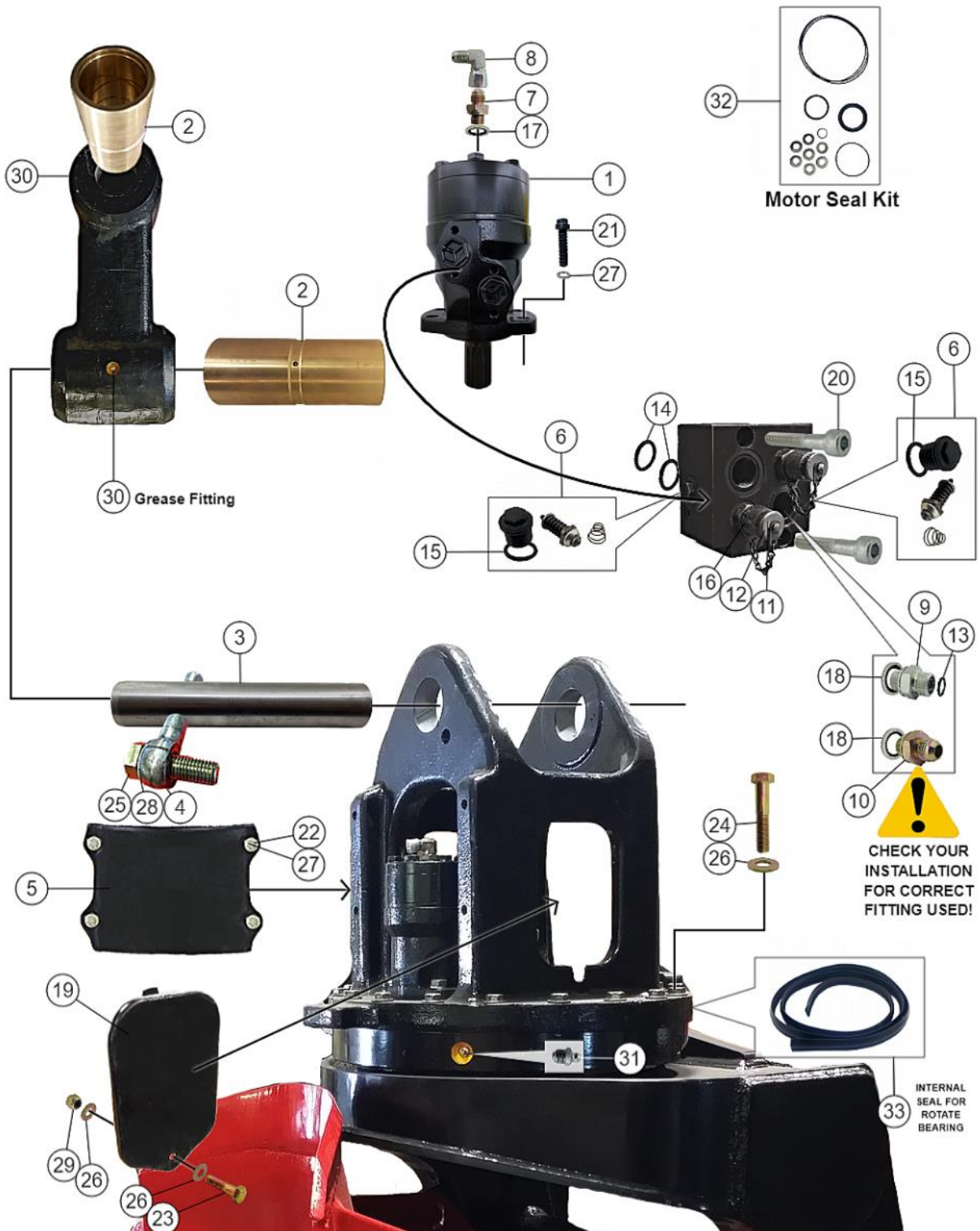






## ROTATE & TILT GROUP

Axis Rotator for 270° Swivel



\*All manufacturers names, numbers, marks, trademarks and symbols and descriptions are used for reference purposes only. Use of parts not supplied from the original manufacturer on machines under manufacturer warranty could potentially void your manufacturer warranty. Machined parts are built by Axis, not the original manufacturer.

Axis Rotator for 270° Swivel

No.	Axis Part No	Qty	Description	Notes
1	MT540010	1	HYDRAULIC MOTOR - ROTATOR	
2	BW837618	2	BRONZE BUSHING DOGBONE LINK	
3	PN4000325	1	PIN - DOGBONE LINK	
4	PN150084	1	PIN - ROTATE PIN RETAINER	
5	GC700107	1	GUARD	
6	HV292080	2	SHOCK VALVE - 80 BAR	
7	HF2040-6-4	1	FITTING - #6 JIC MALE X #4 BSPP MALE	
8	HF2939-6-6	1	FITTING - #6 JIC MALE X #6 JIC FEMALE 90°	
9	HF4060-8-8	1	FITTING - #8 BSPP MALE X #8 ORFS MALE	
10	HF2040-8-8	1	FITTING - #8 JIC MALE X #8 BSPP MALE	
11	HF14TPC	1	TEST PORT CAP	
12	HF14TP	2	TEST PORT 1/4" BSPP	
13	R24323C	1	O-RING - #8 ORFS	
14	R24428C	2	O-RING	
15	T235395A	1	O-RING	
16	ED4	2	SPECIAL BSPP SEAL #4	
17	BSP4	1	BSPP BONDED SEAL #4	
18	BSP8	2	BSPP BONDED SEAL #8	
19	GC622119	1	ROTATE GUARD	
20	GFB80845	2	BOLT - M8 X 45MM	
21	GFB94500200	4	BOLT - 1/2" X 2" 12 POINT HEAD	
22	GFB1500125	4	BOLT - 1/2" X 1.25" UNC HEX	
23	GFB1500200	2	BOLT - 1/2" X 2" UNC HEX	
24	GFB1500250	18	BOLT - 1/2" X 2.5" UNC HEX	
25	GFB1750200	1	BOLT - 3/4" x 2" UNC HEX HEAD	
26	GFW1500	20	WASHER - 1/2" HARDENED	
27	GFW5500	4	ANTI-VIBRATION LOCKWASHER 1/2"	
28	GFW5750	1	ANTIVIBRATION LOCKWASHER 3/4"	
29	GFN4500	1	NYLOCK NUT - 1/2" UNC	
30	GFZ14P	2	GREASE FITTING 1/4-28	
31	GFZ18P	1	GREASE FITTING 1/8" NPT	
32	SK540011	1	SEAL KIT	
33	SK170100	1	SEAL - ROTATE BEARING	

\*All manufacturers names, numbers, marks, trademarks and symbols and descriptions are used for reference purposes only. Use of parts not supplied from the original manufacturer on machines under manufacturer warranty could potentially void your manufacturer warranty. Machined parts are built by Axis, not the original manufacturer.

Axis 270° Swivel



\*All manufacturers names, numbers, marks, trademarks and symbols and descriptions are used for reference purposes only. Use of parts not supplied from the original manufacturer on machines under manufacturer warranty could potentially void your manufacturer warranty. Machined parts are built by Axis, not the original manufacturer.

Axis 270° Swivel

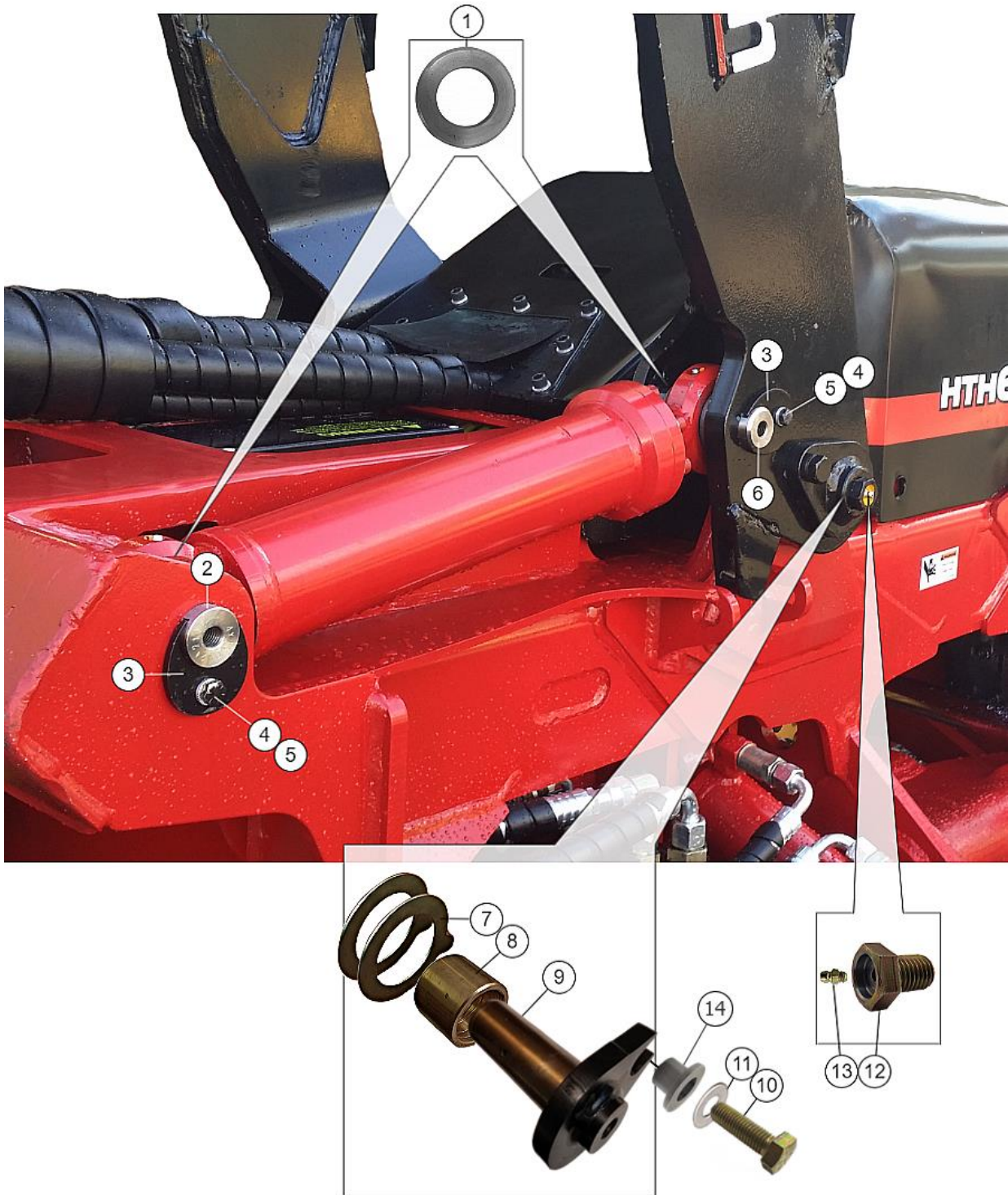
No.	Axis Part No	Qty	Description	Notes
1	HS640100	1	HOSE SWIVEL - HEAVY DUTY COMPLETE KIT	INCLUDES FITTINGS, BUSHINGS AND HARDWARE
2	HS640101	1	HOSE SWIVEL - HEAVY DUTY INNER & OUTER RINGS	INNER AND OUTER SWIVEL ONLY
3	HF2040-20-16	2	FITTING - #20 JIC MALE X #16 BSPP MALE	
4	HF4060-16-16	2	FITTING - #16 BSPP MALE X #16 ORFS MALE	
5	GFB1875325	2	BOLT - 7/8" UNC X 3-1/4"	
6	BW282320	2	NYLON BUSHING - SWIVEL BOLT	
7	GFW1875	2	WASHER - 7/8" HARDENED	
8	GFN4875	2	NUT - NYLOCK 7/8" UNC	
9	GFB3625275	2	BOLT S/CAP - 5/8" X 2-3/4" UNC	
10	GFZ18P	3	GREASE FITTING	
11	BSP16	4	BSP BONDED SEAL #16	
12	R24330C	2	O-RING #16 ORFS	

\*All manufacturers names, numbers, marks, trademarks and symbols and descriptions are used for reference purposes only. Use of parts not supplied from the original manufacturer on machines under manufacturer warranty could potentially void your manufacturer warranty. Machined parts are built by Axis, not the original manufacturer.



Axis Tilt

622B Axis Tilt



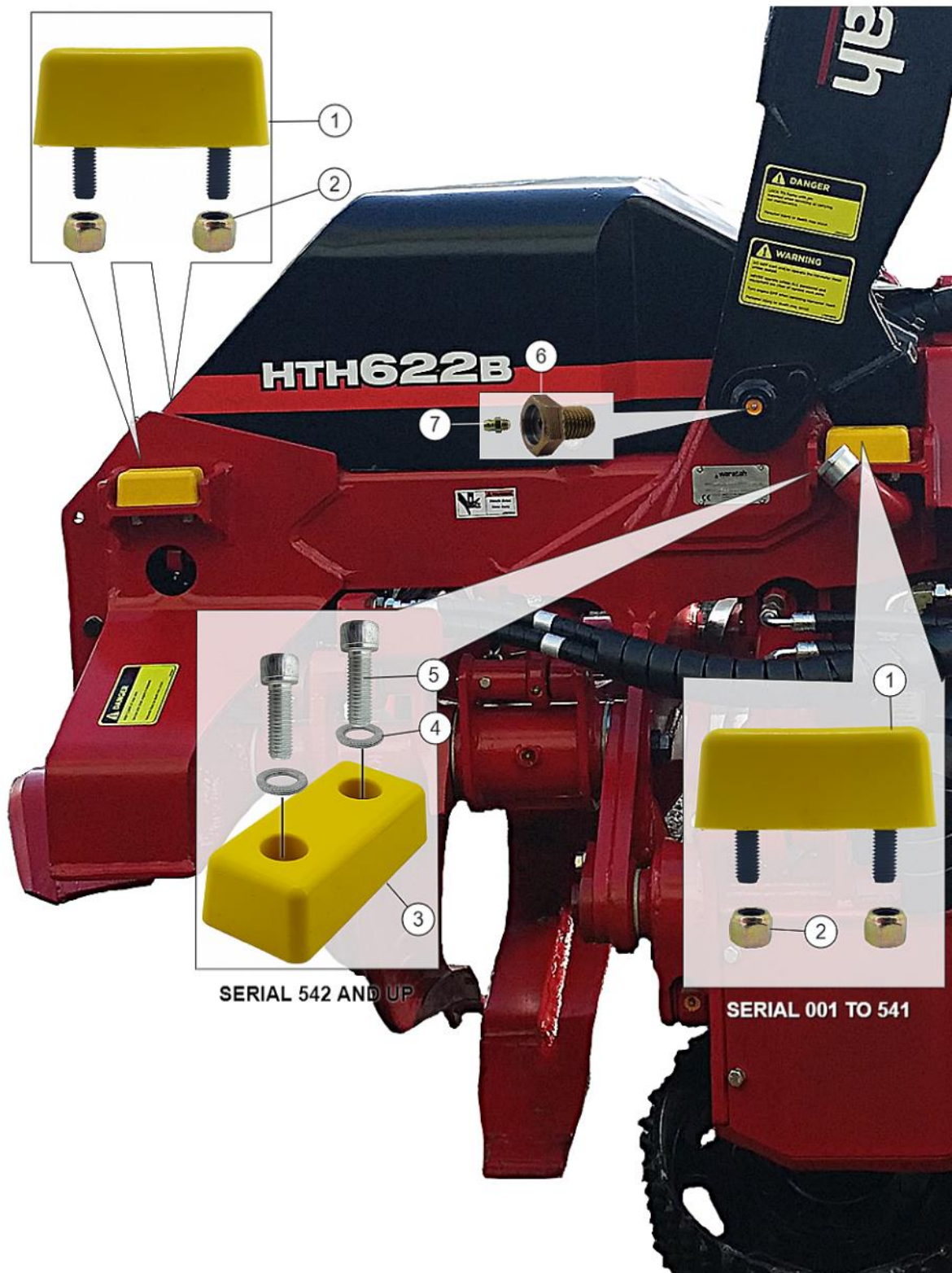
\*All manufacturers names, numbers, marks, trademarks and symbols and descriptions are used for reference purposes only. Use of parts not supplied from the original manufacturer on machines under manufacturer warranty could potentially void your manufacturer warranty. Machined parts are built by Axis, not the original manufacturer.

## Axis Tilt

No.	Axis Part No	Qty	Description	Notes
1	BW643810	4	STEEL WASHER	
2	PN242165	1	PIN - TILT CYLINDER BARREL END	
3	MR242500	2	RETAINER	
4	GFB1375100	2	BOLT - 3/8" X 1" UNC HEX	
5	GFW5375	2	ANTI-VIBRATION LOCKWASHER 3/8"	
6	PN242135	1	PIN - TILT CYLINDER ROD END	
7	BW775102	2	WASHER	
8	BW635152	2	BRONZE BUSHING	
9	PN323155	2	PIN	
10	GFB1625150	2	BOLT - 5/8" X 1.50" UNC HEX	
11	GFW1625	2	HARDENED WASHER - 5/8"	
12	MP360028	2	BOLT	
13	GFZ14P	2	GREASE FITTING	
14	MR242574	2	TOP HAT BUSHING	

\*All manufacturers names, numbers, marks, trademarks and symbols and descriptions are used for reference purposes only.  
Use of parts not supplied from the original manufacturer on machines under manufacturer warranty could potentially void your  
manufacturer warranty. Machined parts are built by Axis, not the original manufacturer.

Axis Tilt Bumpers



\*All manufacturers names, numbers, marks, trademarks and symbols and descriptions are used for reference purposes only. Use of parts not supplied from the original manufacturer on machines under manufacturer warranty could potentially void your manufacturer warranty. Machined parts are built by Axis, not the original manufacturer.

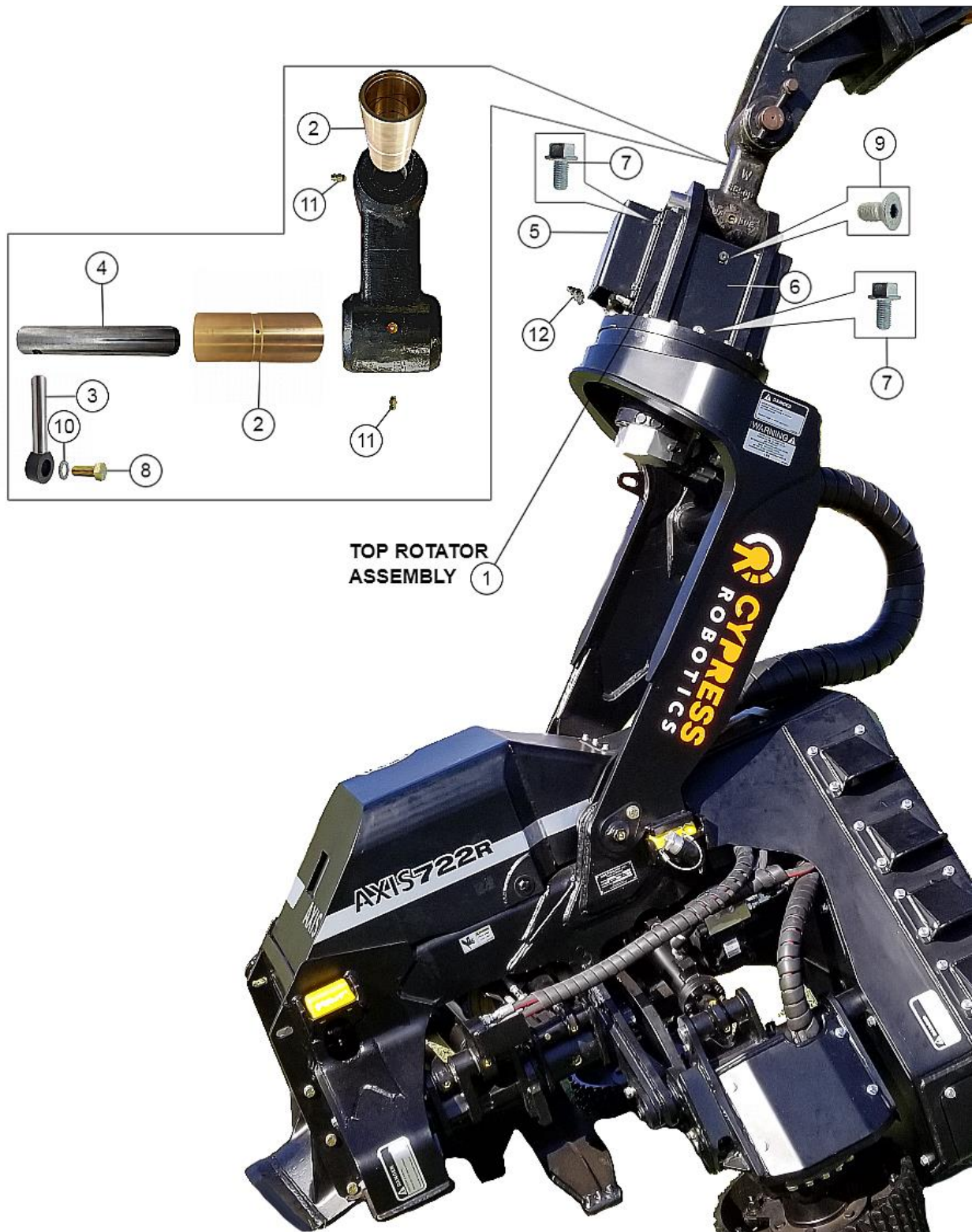
Axis Tilt Bumpers

No.	Axis Part No	Qty	Description	Notes
1	MR561042	4	BUMPER	
2	GFN4500	8	NYLOCK NUT - 1/2" UNC	
3	MR561044	2	TILT BUMPER	
4	GFW5500	2	ANTI-VIBRATION LOCKWASHER 1/2"	
5	GFB1500125	2	BOLT - 1/2" X 1.25" UNC HEX	
6	MP360028	2	BOLT - TILT PIN	
7	GFZ14P	2	GREASE FITTING	

\*All manufacturers names, numbers, marks, trademarks and symbols and descriptions are used for reference purposes only. Use of parts not supplied from the original manufacturer on machines under manufacturer warranty could potentially void your manufacturer warranty. Machined parts are built by Axis, not the original manufacturer.



Axis Rotator for 360° - 722R Heads



\*All manufacturers names, numbers, marks, trademarks and symbols and descriptions are used for reference purposes only. Use of parts not supplied from the original manufacturer on machines under manufacturer warranty could potentially void your manufacturer warranty. Machined parts are built by Axis, not the original manufacturer.

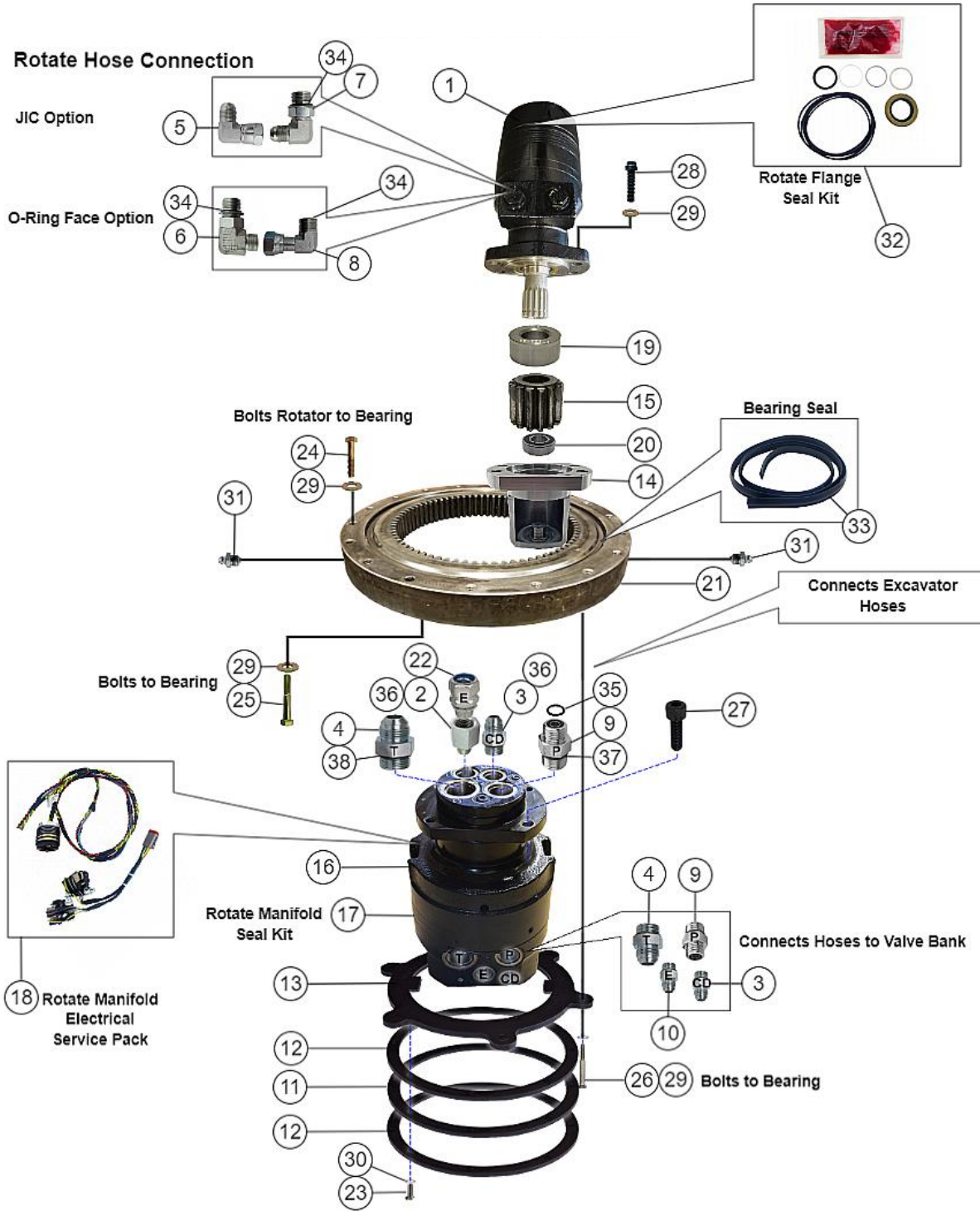


Axis Rotator for 360° - 722R Heads

No.	Axis Part No	Qty	Description	Notes
1	RT100108	1	ROTATOR ASSEMBLY	
2	BW837618	1	BRONZE BUSHING DOGBONE LINK	
3	PN150084	1	PIN - ROTATE PIN RETAINER	
4	PN4000325	1	PIN - DOGBONE LINK	
5	GC622121	1	GUARD	
6	GC700105	2	GUARD	
7	GFB1500100FL	6	BOLT - 1/2" X 1" UNC SERRATED FLANGE	
8	GFB1750200	1	BOLT - 3/4" X 2" UNC HEX HEAD	
9	GFB3500100C	2	BOLT - 1/2" X 1" COUNTERSUNK	
10	GFW5750	1	ANTIVIBRATION LOCKWASHER 3/4"	
11	GFZ14P45	2	GREASE FITTING - 45°	

\*All manufacturers names, numbers, marks, trademarks and symbols and descriptions are used for reference purposes only. Use of parts not supplied from the original manufacturer on machines under manufacturer warranty could potentially void your manufacturer warranty. Machined parts are built by Axis, not the original manufacturer.

Axis 360° Swivel - Continuous Rotation



\*All manufacturers names, numbers, marks, trademarks and symbols and descriptions are used for reference purposes only. Use of parts not supplied from the original manufacturer on machines under manufacturer warranty could potentially void your manufacturer warranty. Machined parts are built by Axis, not the original manufacturer.

Axis 360° Swivel - Continuous Rotation

No.	Axis Part No	Qty	Description	Notes
1	MT540015	1	HYDRAULIC MOTOR 360° ROTATE	
2	HF1280-12-12	1	FITTING - #12 MALE ORB X 3/4" FEMALE NPT STRAIGHT	
3	HF2080-12-12	2	FITTING - #12 MALE JIC #12 MALE ORB STRAIGHT	
4	HF2080-20-20	2	FITTING - #20 MALE JIC X #20 MALE ORB	
5	HF2939-8-8	2	FITTING - #8 JIC MALE X #8 JIC FEMALE 90°	
6	HF4969-8-10	2	FITTING - #8 MALE ORFS X #10 MALE ORB 90°	
7	HF2989-8-10	2	FITTING - #8 MALE JIC X #10 ORB MALE 90°	
8	HF6979-8-8	2	FITTING - #8 ORFS MALE X #8 ORFS FEMALE 90°	
9	HF6080-16-16	2	FITTING - #16 MALE ORFS #16 MALE ORB STRAIGHT	
10	RT100110	1	SPECIAL FITTING FOR ELECTRICAL ON 360° ROTATE	
11	RT110812	1	RUBBER SEAL	
12	RT110925	2	PLATE FOR RUBBER SEAL	
13	RT130938	1	TABBED PLATE	
14	RT200101	1	ROTATE PINION SUPPORT	
15	RT200102	1	ROTATE PINION GEAR	
16	RT540940	1	360° ROTATE MANIFOLD	
17	RT540941	1	360° ROTATE MANIFOLD SEAL KIT	
18	RT540942	1	360° ROTATE MANIFOLD ELECTRICAL SERVICE PACK	
19	RT663428	1	SPACER - 360° ROTATE PINION	
20	BR115756	1	BEARING - ROTATE HOUSING	
21	BR115761	1	ROTATE BEARING	
22	EP99004	1	3/4" CORD CONNECTOR	
23	GFB1312125	8	BOLT - 5/16" X 1.25" UNC HEX	
24	GFB1500250	18	BOLT - 1/2" X 2.5" UNC HEX	
25	GFB1500300	18	BOLT - 1/2" X 3" UNC HEX	
26	GFB1500350	6	BOLT - 1/2" X 3.5" UNC HEX	
27	GFB81650	4	BOLT - M16 X 50 SOCKET HEAD	
28	GFB94500200	4	BOLT - 1/2" X 2" 12 POINT HEAD	
29	GFW1500	40	WASHER - 1/2" HARDENED	
30	GFW5312	8	ANTI-VIBRATION LOCKWASHER 5/16"	
31	GFZ18P	2	ZERK FITTING 1/8" PIPE	
32	SK540015	1	SEAL KIT	
33	SK170100	2	SEAL - ROTATE BEARING	
34	R24323C	3	O-RING	
35	R24330C	1	O-RING	
36	ORB3-912	1	O-RING #12 ORB	
37	ORB3-916	1	O-RING #16 ORB	
38	ORB3-920V	1	O-RING #20 ORB	

\*All manufacturers names, numbers, marks, trademarks and symbols and descriptions are used for reference purposes only. Use of parts not supplied from the original manufacturer on machines under manufacturer warranty could potentially void your manufacturer warranty. Machined parts are built by Axis, not the original manufacturer.

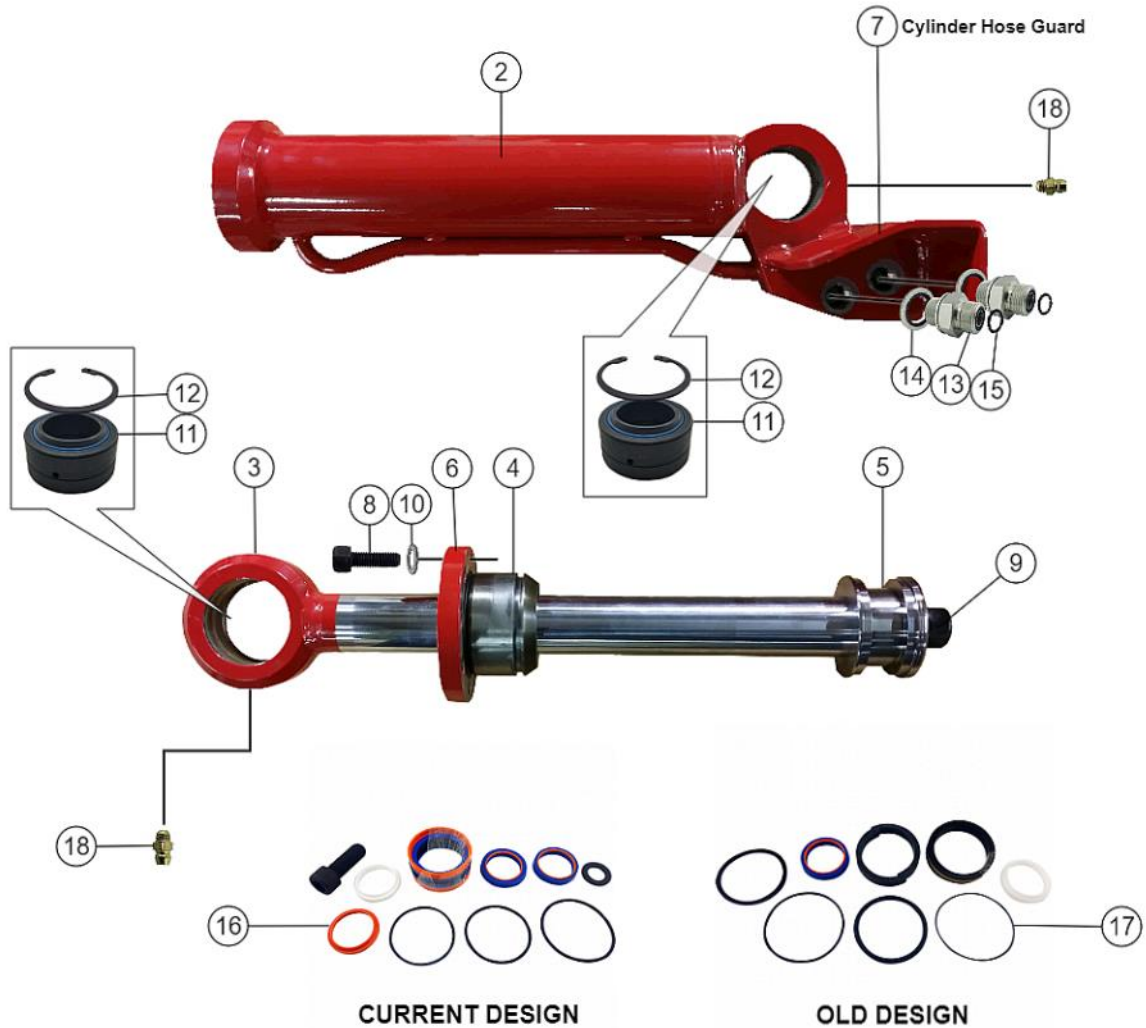




# CYLINDERS GROUP

Axis Delimb Arm Cylinder

① DELIMB CYLINDER COMPLETE CURRENT DESIGN AS SHOWN



**IS YOUR CYLINDER CURRENT DESIGN OR OLD DESIGN? HOW TO CHECK:**

- OLD DESIGN HAS HEX BOLTS TO RETAIN THE GLAND CAP
- OLD DESIGN HAS A NUT TO RETAIN THE PISTON
- CURRENT DESIGN HAS ALLEN HEAD TO RETAIN THE GLAND UP
- CURRENT DESIGN HAS ALLEN HEAD BOLT TO RETAIN THE PISTON

\*All manufacturers names, numbers, marks, trademarks and symbols and descriptions are used for reference purposes only. Use of parts not supplied from the original manufacturer on machines under manufacturer warranty could potentially void your manufacturer warranty. Machined parts are built by Axis, not the original manufacturer.

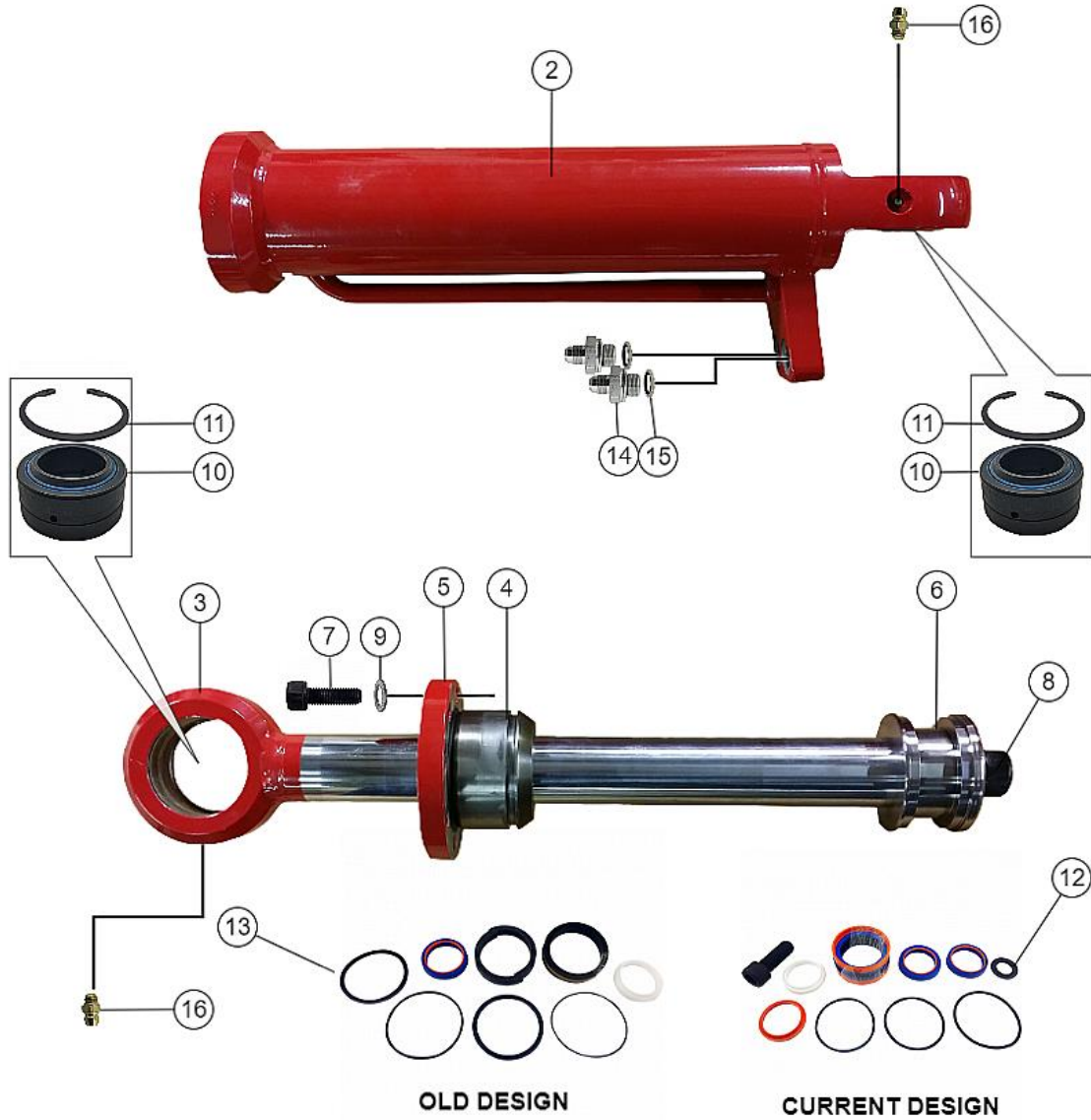
Axis Delimb Arm Cylinder

No.	Axis Part No	Qty	Description	Notes
1	CW115100	1	DELIMB CYLINDER ASSEMBLY	
2	CW215200	1	DELIMB CYLINDER BARREL	
3	CW315300	1	CYLINDER ROD	
4	CW415400	1	CYLINDER GLAND	
5	CW515500	1	CYLINDER PISTON	
6	CW615600	1	CYLINDER CAP	
7	GC622120	1	GUARD - DELIMB CYLINDER HOSE	
8	GFB81030	8	BOLT - M10 X 30MM SOCKET HEAD	
9	GFB82050	1	BOLT - M20 X 50MM SOCKET HEAD	
10	GFW5375	8	ANTI-VIBRATION LOCKWASHER 3/8"	
11	SBB24-2RS/Z	2	SPHERICAL BUSHING	
12	GFS592	2	SNAP RING	
13	HF4060-8-8	2	FITTING - #8 BSPP MALE X #8 ORFS MALE	
14	BSP8	2	BSPP BONDED SEAL #8	
15	R24323C	2	O-RING #8 ORFS	
16	SK400704	1	SEAL KIT	
17	SK400504	1	SEAL KIT	
18	GFZ14P	2	GREASE FITTING	

\*All manufacturers names, numbers, marks, trademarks and symbols and descriptions are used for reference purposes only. Use of parts not supplied from the original manufacturer on machines under manufacturer warranty could potentially void your manufacturer warranty. Machined parts are built by Axis, not the original manufacturer.

Axis Tilt Cylinder

① TILT CYLINDER COMPLETE CURRENT DESIGN AS SHOWN



**IS YOUR CYLINDER CURRENT DESIGN OR OLD DESIGN? HOW TO CHECK:**

- OLD DESIGN HAS HEX BOLTS TO RETAIN THE GLAND CAP
- OLD DESIGN HAS A NUT TO RETAIN THE PISTON
- CURRENT DESIGN HAS ALLEN HEAD BOLTS TO RETAIN THE GLAND UP
- CURRENT DESIGN HAS ALLEN HEAD BOLT TO RETAIN THE PISTON

\*All manufacturers names, numbers, marks, trademarks and symbols and descriptions are used for reference purposes only. Use of parts not supplied from the original manufacturer on machines under manufacturer warranty could potentially void your manufacturer warranty. Machined parts are built by Axis, not the original manufacturer.



Axis Tilt Cylinder

No.	Axis Part No	Qty	Description	Notes
1	CW125100	1	CYLINDER ASSEMBLY,	
2	CW225200	1	TILT CYLINDER BARREL	
3	CW315300	1	CYLINDER ROD	
4	CW415400	1	CYLINDER GLAND	
5	CW615600	1	CYLINDER CAP	
6	CW515500	1	CYLINDER PISTON	
7	GFB81030	8	BOLT - M10 X 30MM SOCKET HEAD	
8	GFB82050	1	BOLT - M20 X 50MM SOCKET HEAD	
9	GFW5375	8	ANTI-VIBRATION LOCKWASHER 3/8"	
10	SBB24-2RS/Z	2	SPHERICAL BUSHING	
11	GFS592	2	SNAP RING	
12	SK400704	1	SEAL KIT	
13	SK400504	1	SEAL KIT	
14	HF2040-6-6	2	FITTING - #6 JIC MALE X #6 BSPP MALE	
15	BSP6	2	BSP BONDED SEAL #6	
16	GFZ14P	2	GREASE FITTING	

\*All manufacturers names, numbers, marks, trademarks and symbols and descriptions are used for reference purposes only. Use of parts not supplied from the original manufacturer on machines under manufacturer warranty could potentially void your manufacturer warranty. Machined parts are built by Axis, not the original manufacturer.



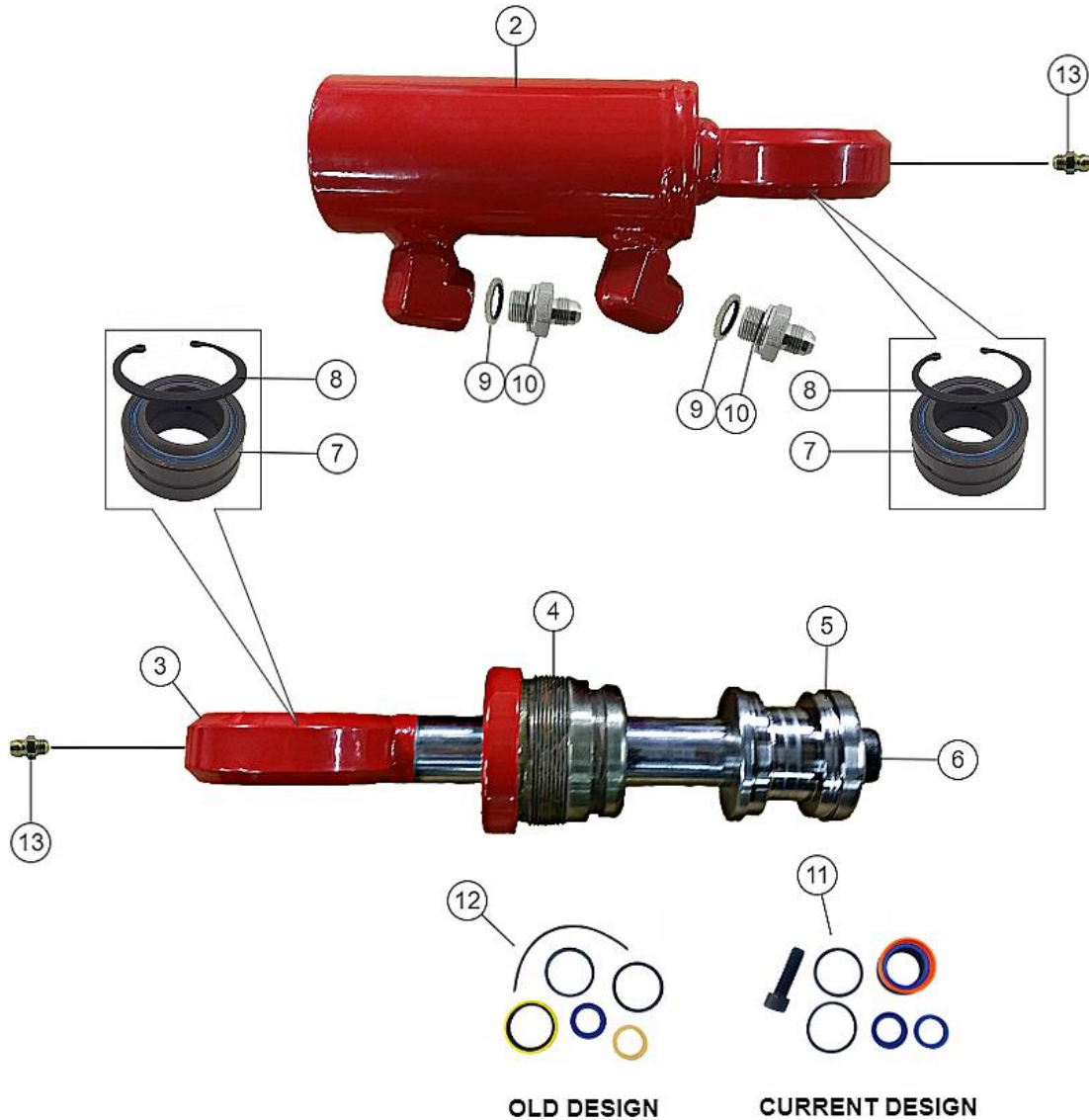
Axis Feed Arm Cylinder

No.	Axis Part No	Qty	Description	Notes
1	CW120100	1	FEED CYLINDER ASSEMBLY	
2	CW220200	1	FEED CYLINDER BARREL	
3	CW320300	1	CYLINDER ROD	
4	CW415400	1	CYLINDER GLAND	
5	CW615600	1	CYLINDER CAP	
6	CW515500	1	CYLINDER PISTON	
7	GFB81030	8	BOLT - M10 X 30MM SOCKET HEAD	
8	GFB82050	1	BOLT - M20 X 50MM SOCKET HEAD	
9	GFB2437150	6	BOLT - 7/16 X 1.50" UNF	
10	GFW5437	6	ANTI-VIBRATION LOCKWASHER 7/16	
11	GFW5375	8	ANTI-VIBRATION LOCKWASHER 3/8"	
12	SBB24-2RS/Z	2	SPHERICAL BUSHING	
13	GFS592	2	SNAP RING	
14	HF4050-8-8	1	FITTING - SOLID NON SWIVELLING	
15	HF4060-8-8	2	FITTING - #8 BSPP MALE X #8 ORFS MALE	
16	BSP8	3	BSPP BONDED SEAL - #8	
17	R24323C	2	O-RING - #8 ORFS	
18	SK400704	1	SEAL KIT	
19	SK400504	1	SEAL KIT	
20	GFZ14P	2	GREASE FITTING	

\*All manufacturers names, numbers, marks, trademarks and symbols and descriptions are used for reference purposes only. Use of parts not supplied from the original manufacturer on machines under manufacturer warranty could potentially void your manufacturer warranty. Machined parts are built by Axis, not the original manufacturer.

## Measuring Arm Cylinder

① MEASURING ARM CYLINDER COMPLETE CURRENT DESIGN AS SHOWN



**IS YOUR CYLINDER A CURRENT DESIGN OR OLD DESIGN? HOW TO CHECK:**

- OLD DESIGN HAS A NUT TO RETAIN THE PISTON
- CURRENT DESIGN HAS AN ALLEN HEAD BOLT TO RETAIN THE PISTON

\*All manufacturers names, numbers, marks, trademarks and symbols and descriptions are used for reference purposes only. Use of parts not supplied from the original manufacturer on machines under manufacturer warranty could potentially void your manufacturer warranty. Machined parts are built by Axis, not the original manufacturer.

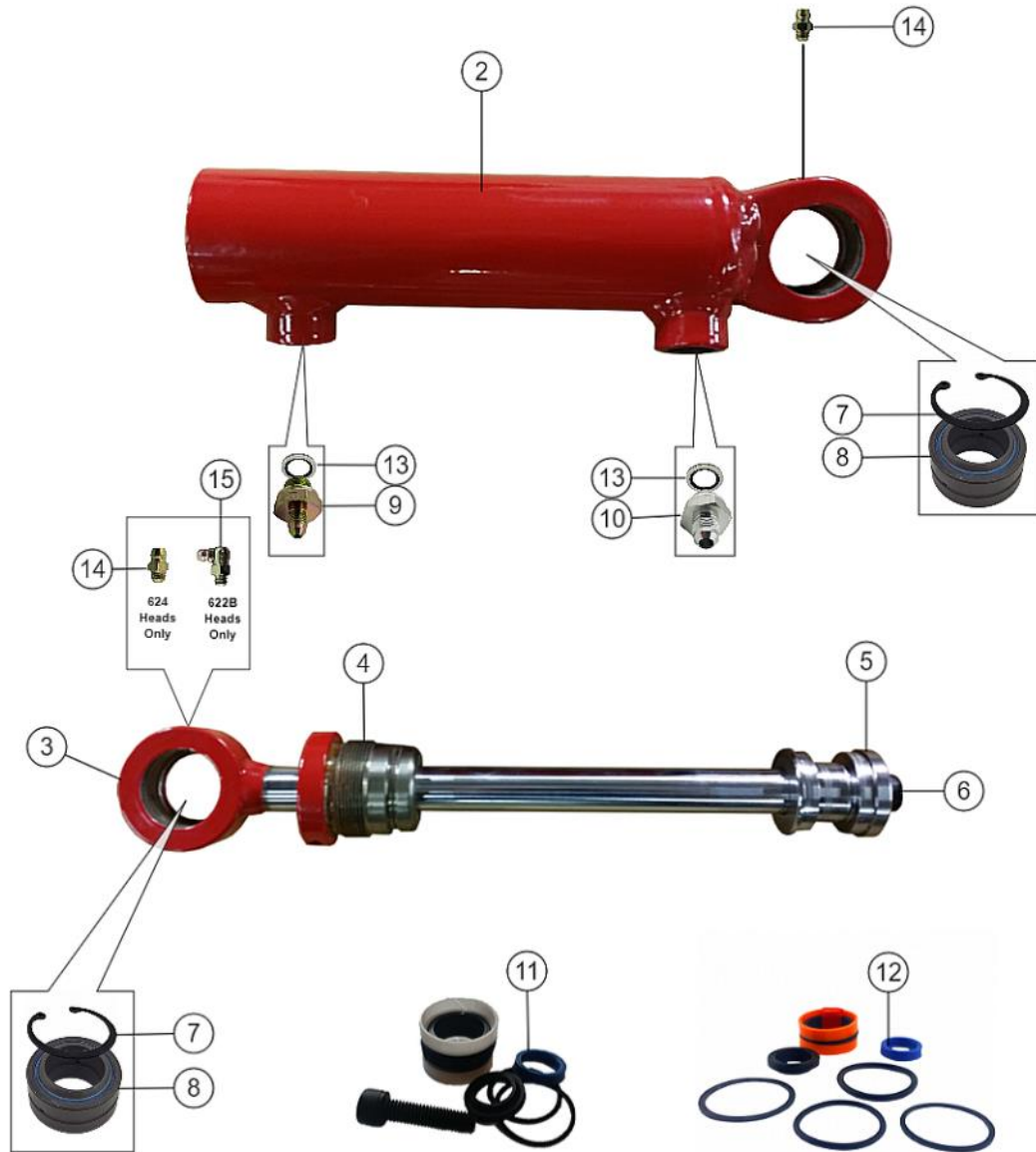
Measuring Arm Cylinder

No.	Axis Part No	Qty	Description	Notes
1	CW110100	1	CYLINDER ASSEMBLY	
2	CW210200	1	MEASURING CYLINDER BARREL	
3	CW310300	1	CYLINDER ROD	
4	CW410400	1	CYLINDER GLAND	
5	CW510500	1	CYLINDER PISTON	
6	GFB81450	1	BOLT - M14 X 50MM SOCKET HEAD	
7	SBB16-2RS/Z	2	SPHERICAL BUSHING	
8	GFS561	2	SNAP RING	
9	BSP6	2	BSP BONDED SEAL #6	
10	HF2040-6-6	2	FITTING - #6 JIC MALE X #6 BSPP MALE	
11	SK320702	1	SEAL KIT	
12	SK320503	1	SEAL KIT	
13	GFZ14P	2	GREASE FITTING	

\*All manufacturers names, numbers, marks, trademarks and symbols and descriptions are used for reference purposes only. Use of parts not supplied from the original manufacturer on machines under manufacturer warranty could potentially void your manufacturer warranty. Machined parts are built by Axis, not the original manufacturer.

Top Saw Cylinder

① TOP SAW CYLINDER COMPLETE CURRENT DESIGN AS SHOWN



CURRENT DESIGN

OLD DESIGN



IS YOUR CYLINDER A CURRENT DESIGN OR OLD DESIGN? HOW TO CHECK:

- OLD DESIGN HAS A NUT TO RETAIN THE PISTON
- CURRENT DESIGN HAS AN ALLEN HEAD BOLT TO RETAIN THE PISTON

\*All manufacturers names, numbers, marks, trademarks and symbols and descriptions are used for reference purposes only. Use of parts not supplied from the original manufacturer on machines under manufacturer warranty could potentially void your manufacturer warranty. Machined parts are built by Axis, not the original manufacturer.

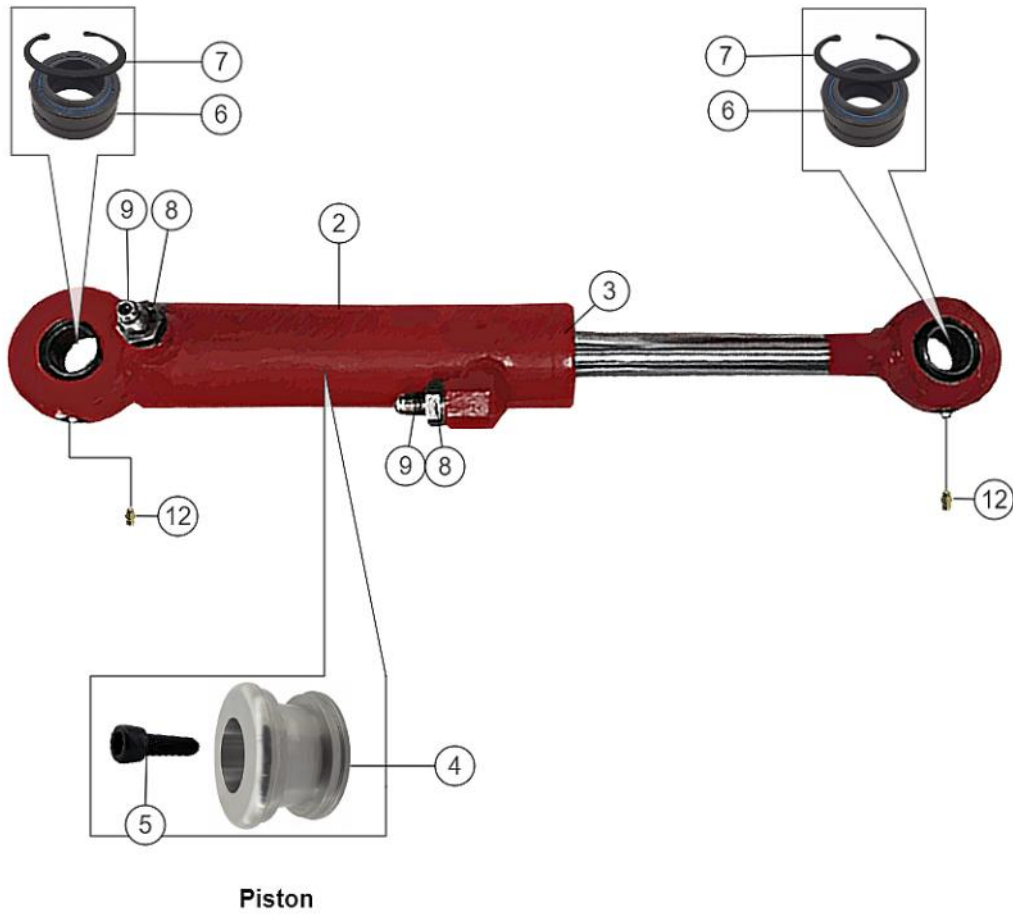
Top Saw Cylinder

No.	Axis Part No	Qty	Description	Notes
1	CW105100	1	CYLINDER ASSEMBLY	
2	CW205200	1	CYLINDER BARREL	
3	CW305300	1	CYLINDER ROD	
4	CW405400	1	CYLINDER GLAND	
5	CW505500	1	CYLINDER PISTON	
6	GFB91040	1	BOLT - M10 X 40MM SOCKET HEAD	
7	GFS551	2	SNAP RING	
8	SBB12-2RS/Z	2	SPHERICAL BUSHING	
9	HF2040-4-6	1	FITTING - #4 JIC MALE X #6 BSPP MALE	
10	HF2040-6-6	1	FITTING - #6 JIC MALE X #6 BSPP MALE	
11	SK240701	1	SEAL KIT	
12	SK240502	1	SEAL KIT	
13	BSP6	2	BSP BONDED SEAL #6	
14	GFZ14P	1	GREASE FITTING	
15	GFZ14P90	1	GREASE FITTING 90°	

\*All manufacturers names, numbers, marks, trademarks and symbols and descriptions are used for reference purposes only. Use of parts not supplied from the original manufacturer on machines under manufacturer warranty could potentially void your manufacturer warranty. Machined parts are built by Axis, not the original manufacturer.

3/4" Saw Cylinder Manual Tension Saws

① Cylinder Assembly



\*All manufacturers names, numbers, marks, trademarks and symbols and descriptions are used for reference purposes only. Use of parts not supplied from the original manufacturer on machines under manufacturer warranty could potentially void your manufacturer warranty. Machined parts are built by Axis, not the original manufacturer.

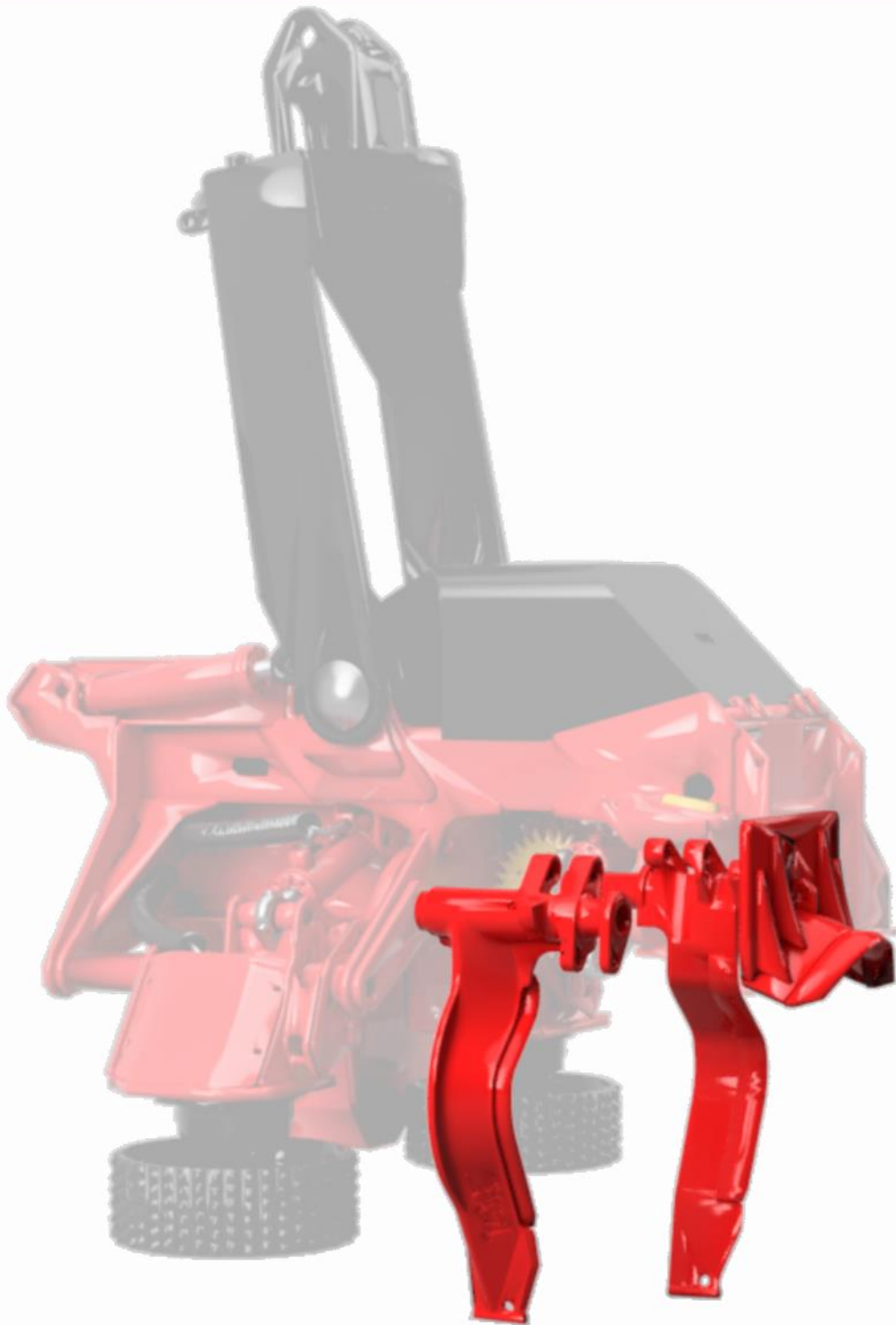


3/4" Saw Cylinder Manual Tension Saws

No.	Axis Part No	Qty	Description	Notes
1	CW130100	1	CYLINDER ASSEMBLY	
2	CW235201	1	CYLINDER BARREL	
3	CW410400	1	CYLINDER GLAND	
4	CW510500	1	CYLINDER PISTON	
5	GFB81450	1	BOLT - M14 X 50MM SOCKET HEAD	
6	SBB16-2RS/Z	2	SPHERICAL BUSHING	
7	GFS561	2	SNAP RING	
8	BSP6	2	BSP BONDED SEAL #6	
9	HF2040-6-6	2	FITTING - #6 JIC MALE X #6 BSPP MALE	
10	SK320503	1	SEAL KIT	OLD STYLE
11	SK320702	1	SEAL KIT	NEW STYLE
	GFZ14P	2	GREASE FITTING	

\*All manufacturers names, numbers, marks, trademarks and symbols and descriptions are used for reference purposes only. Use of parts not supplied from the original manufacturer on machines under manufacturer warranty could potentially void your manufacturer warranty. Machined parts are built by Axis, not the original manufacturer.





# DELIMBING GROUP

Axis Front Knife



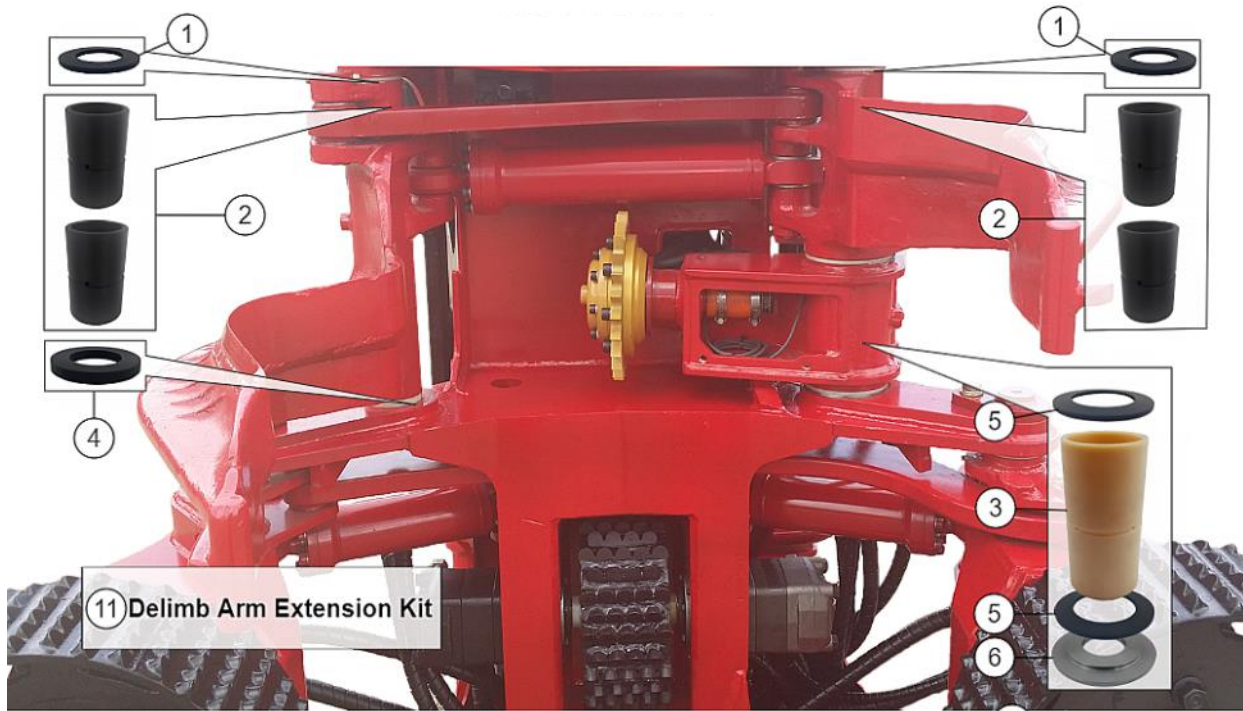
\*All manufacturers names, numbers, marks, trademarks and symbols and descriptions are used for reference purposes only. Use of parts not supplied from the original manufacturer on machines under manufacturer warranty could potentially void your manufacturer warranty. Machined parts are built by Axis, not the original manufacturer.

Axis Front Knife

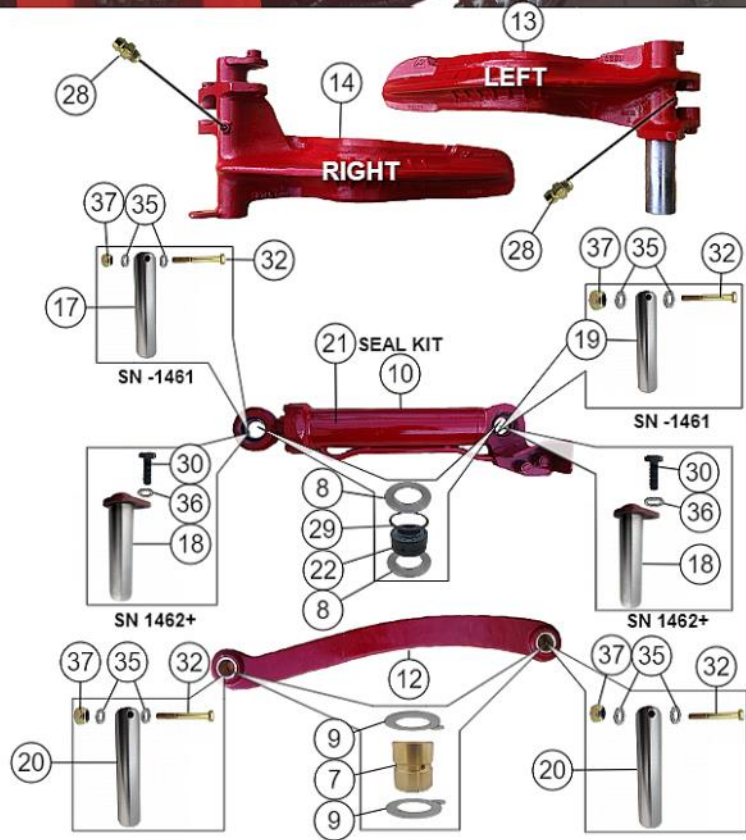
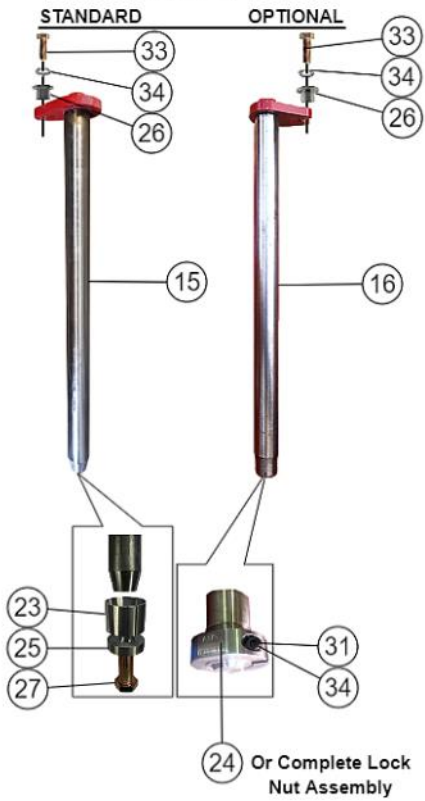
No.	Axis Part No	Qty	Description	Notes
1	MK226103	1	TOP KNIFE ASSEMBLY	COMPLETE CASTED KNIFE EDGE
2	MK226003	1	TOP KNIFE EDGE	REPLACEMENT KNIFE EDGE
3	MK226325	2	TOP KNIFE GUIDE - L SHAPE	
4	MK226326	2	TOP KNIFE GUIDE - ANGLED	FITS THE CURRENT DESIGN CASTED FRONT KNIFE
5	MR226300	1	RETAINER - FLOATING KNIFE	
6	MR226301	1	RETAINER - LOCKING KNIFE	
7	GFN41000	1	NUT - NYLOCK 1" UNC	
8	GFB1625150	6	BOLT - 5/8" X 1.50" UNC HEX	
9	GFW5625	6	ANTIVIBRATION LOCKWASHER 5/8"	

\*All manufacturers names, numbers, marks, trademarks and symbols and descriptions are used for reference purposes only. Use of parts not supplied from the original manufacturer on machines under manufacturer warranty could potentially void your manufacturer warranty. Machined parts are built by Axis, not the original manufacturer.

Axis Delimb Arms



**MAIN PIN SELECTION**



\*All manufacturers names, numbers, marks, trademarks and symbols and descriptions are used for reference purposes only. Use of parts not supplied from the original manufacturer on machines under manufacturer warranty could potentially void your manufacturer warranty. Machined parts are built by Axis, not the original manufacturer.

## Axis Delimb Arms



No.	Axis Part No	Qty	Description	Notes
1	BW865105	2	NYLON BUSHING	
2	BW625110	4	NYLON BUSHING	
3	BW9582192	1	NYLON BUSHING	
4	BW855110	1	NYLON BUSHING	
5	BW125825	2	NYLON BUSHING	
6	BW1258210	1	SPACER	
7	BW843250	2	BRONZE BUSHING	
8	BW633806	4	STEEL WASHER	
9	BW503202C	4	STAINLESS STEEL WASHER	
10	CW115100	1	DELIMB CYLINDER ASSEMBLY	
11	DA622003	1	TIP EXTENSION KIT	
12	DL450028	1	DELIMB LINK	
13	MK225401	1	KNIFE EDGE LEFT SIDE	
14	MK225402	1	KNIFE EDGE RIGHT SIDE	
15	PN323611	2	PIN - TAPER	
16	PN323646	2	PIN - THREADED OPTION 42MM	
17	PN240165	2	PIN - DELIMB CYLINDER ROD END	SERIAL UP TO 1641
18	PN243159	2	PIN - DELIMB CYLINDER	SERIAL 1642 AND UP
19	PN240175	2	PIN - CYLINDER	
20	PN200121	1	PIN	
21	SK400504	1	SEAL KIT	
22	SBB24-2RS/Z	2	SPHERICAL BUSHING	
23	MR323600	2	HARDENED SPLIT BUSHING	
24	MR363042	1	SPLIT LOCK NUT - 42MM	
25	MR323601	2	SPACER	
26	MR242574	2	TOP HAT BUSHING	
27	GFB2875200	2	BOLT - 7/8" X 2" UNF HEX HEAD	
28	GFZ14P	4	GREASE FITTING	
29	GFSS92	2	SNAP RING	
30	GFB71020	2	BOLT - M10 X 20MM HEX HEAD	
31	GFB80630	2	BOLT - M6 X 30MM SOCKET HEAD	
32	GFB1312250	4	BOLT - 5/16" X 2.50" UNC HEX	
33	GFB1625175	1	BOLT - HEX 5/8" X 1.75" UNC HEX HEAD	
34	GFW5250	2	HARDENED WASHER 5/8"	
35	GFW5312	8	ANTI-VIBRATION LOCKWASHER 5/16"	
36	GFW5375	2	ANTI-VIBRATION LOCKWASHER 3/8"	
37	GFN4312	4	NUT - NYLOCK 5/16" UNC	

\*All manufacturers names, numbers, marks, trademarks and symbols and descriptions are used for reference purposes only. Use of parts not supplied from the original manufacturer on machines under manufacturer warranty could potentially void your manufacturer warranty. Machined parts are built by Axis, not the original manufacturer.

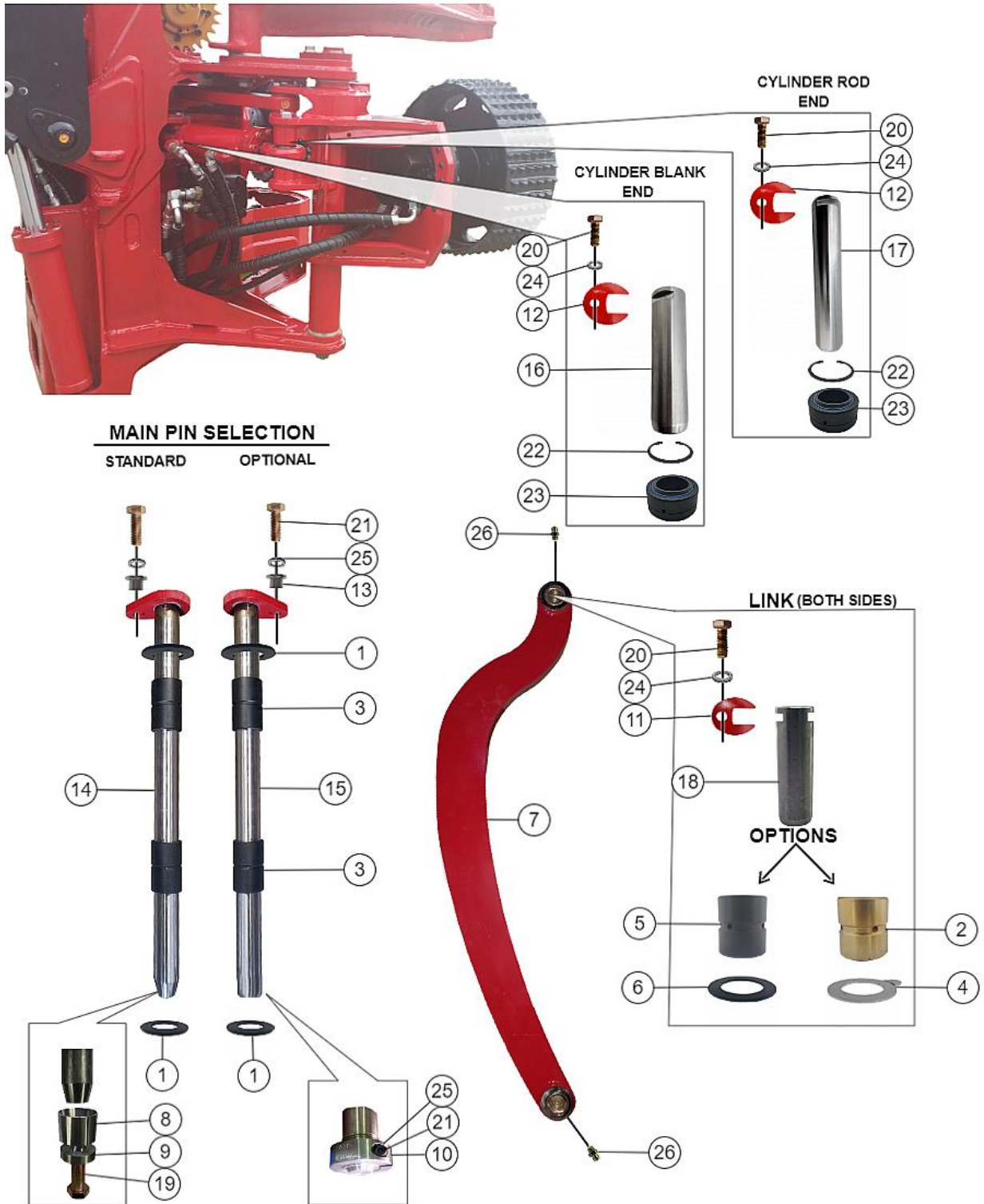






# FEED ARM & FEED MOTORS GROUP

Axis Right & Left Feed Arm Pins & Bushings



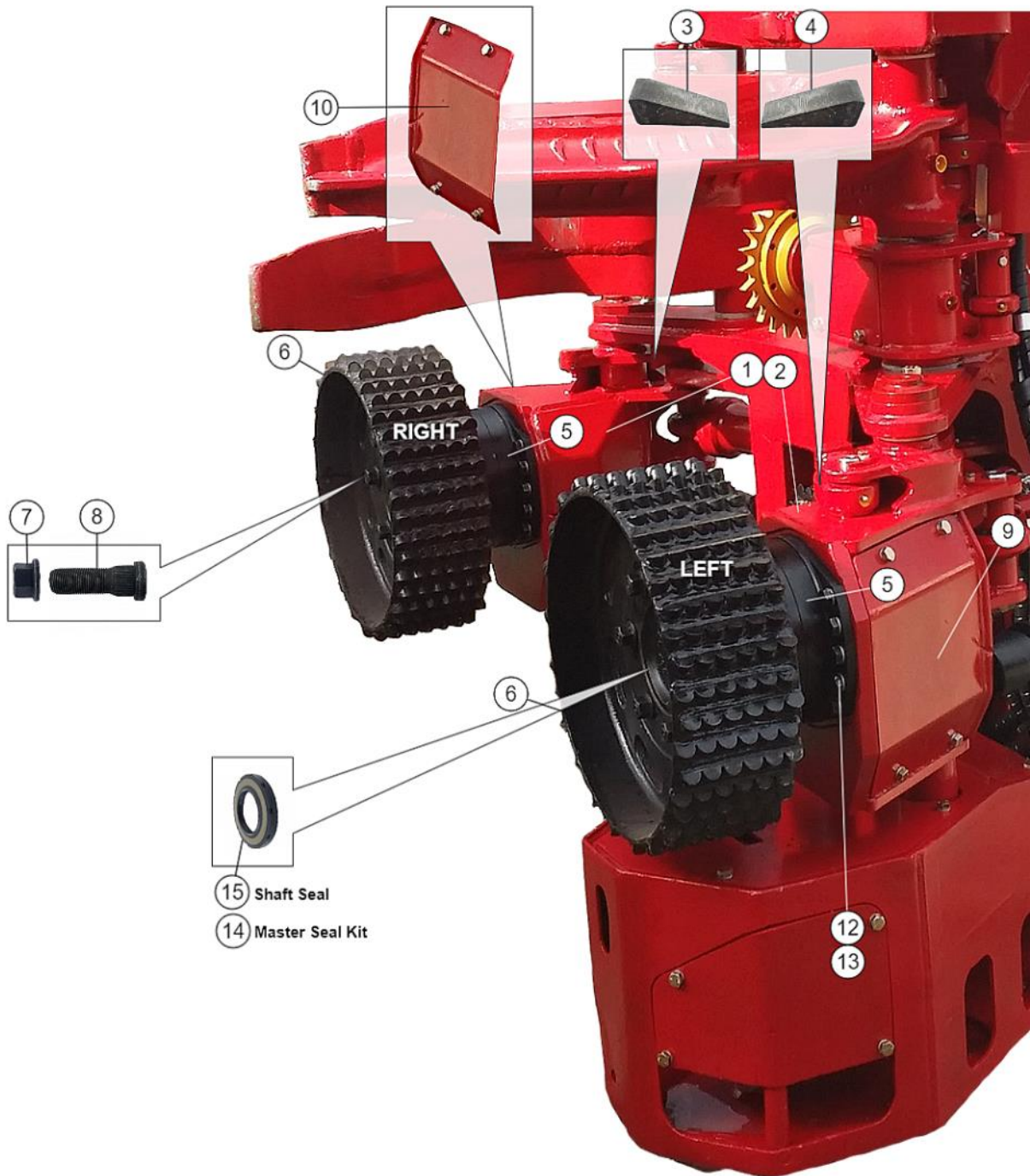
\*All manufacturers names, numbers, marks, trademarks and symbols and descriptions are used for reference purposes only. Use of parts not supplied from the original manufacturer on machines under manufacturer warranty could potentially void your manufacturer warranty. Machined parts are built by Axis, not the original manufacturer.

Axis Right & Left Feed Arm Pins & Bushings

No.	Axis Part No	Qty	Description	Notes
1	BW865105	4	NYLON WASHER	
2	BW843250	2	BRONZE BUSHING	
3	BW625110	4	NYLON BUSHING	
4	BW503202C	4	STAINLESS STEEL WASHER - LINKS	
5	BW443250	2	NYLON BUSHING - LINKS	
6	BW503202	4	NYLON WASHER - LINKS	
7	DL450030	1	LINK - DRIVE ARM 1.5" HEAVY DUTY	
8	MR323600	2	HARDENED SPLIT BUSHING	
9	MR323601	2	SPACER	
10	MR363042	2	SPLIT LOCK NUT - 42MM	
11	MR202600	2	RETAINER	
12	MR242500	4	RETAINER	
13	MR242574	1	TOP HAT BUSHING	
14	BW443250	2	NYLON BUSHING - LINKS	
14	PN323805	2	PIN - 622B FEED ARMS TAPER	
15	PN323831	2	PIN FEED ARM - THREADED OPTION 42MM	
16	PN242135	2	PIN - 622B & 623C TILT CYLINDER ROD END	
17	PN242195	2	PIN - FITS 622B FEED CYLINDER ROD END	
18	PN202103	2	PIN - FEED ARM LINK	
19	GFB2875200	2	BOLT - 7/8" X 2 UNF HEX HEAD	
20	GFB1375100	6	BOLT - 3/8" X 1" UNC HEX	
21	GFB1625175	1	BOLT - HEX 5/8" X 1.75" UNC HEX HEAD	
22	GFS592	2	SNAP RING	
23	SBB24-2RS/Z	2	SPHERICAL BUSHING	
24	GFW5375	6	ANTI-VIBRATION LOCKWASHER 3/8"	
25	GFW5625	1	ANTIVIBRATION LOCKWASHER 5/8"	
26	GFZ14P	2	GREASE FITTING	

\*All manufacturers names, numbers, marks, trademarks and symbols and descriptions are used for reference purposes only. Use of parts not supplied from the original manufacturer on machines under manufacturer warranty could potentially void your manufacturer warranty. Machined parts are built by Axis, not the original manufacturer.

Axis Feed Arm Motors



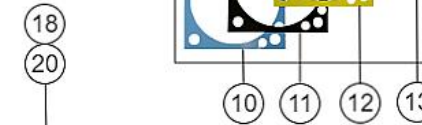
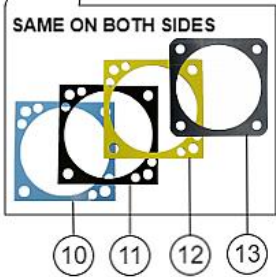
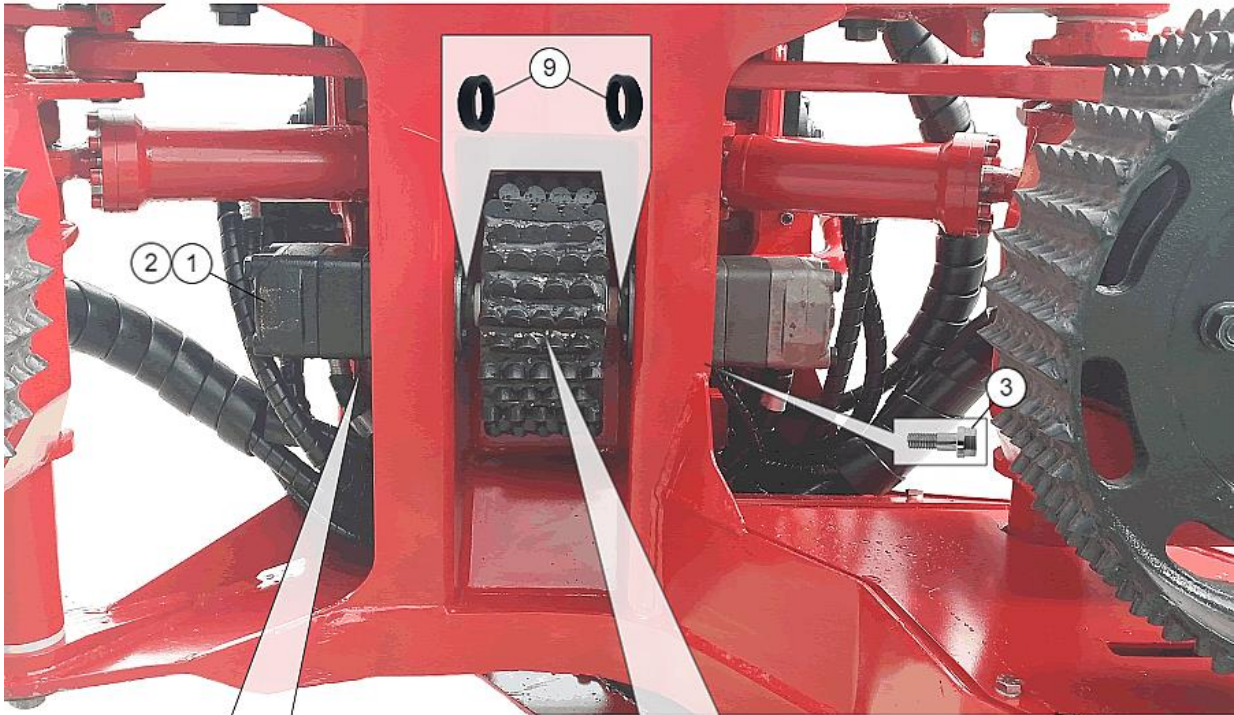
\*All manufacturers names, numbers, marks, trademarks and symbols and descriptions are used for reference purposes only. Use of parts not supplied from the original manufacturer on machines under manufacturer warranty could potentially void your manufacturer warranty. Machined parts are built by Axis, not the original manufacturer.

Axis Feed Arm Motors

No.	Axis Part No	Qty	Description	Notes
1	FA622BR	1	622B FEED ARM RIGHT	INCLUDES MAIN PIN BUSHINGS & GREASE FITTING
2	FA622BL	1	622B FEED ARM LEFT	INCLUDES MAIN PIN BUSHINGS & GREASE FITTING
3	MK980101L	1	FEED ARM STOP - 622B LEFT	
4	MK980101R	1	FEED ARM STOP - 622B RIGHT	
5	MT515801	2	HYDRAULIC MOTOR	
6	DW750180	2	OUTSIDE FEED WHEEL	
7	DW750116	12	NUT - OUTSIDE FEED WHEEL	
8	DW750117	12	STUD - OUTSIDE FEED WHEEL	
9	GC129168	1	COVER - LEFT FEED ARM	
10	GC129169	1	COVER - RIGHT FEED ARM	
11	GFB1500100FL	1	BOLT - 1/2" X 1" UNC SERRATED FLANGE	
12	GFB1625175	20	BOLT - HEX 5/8" X 1.75" UNC HEX HEAD	
13	GFW1625	20	HARDENED WASHER - 5/8"	
14	SK622627	1	MASTER SEAL KIT OUTSIDE FEED MOTOR	
15	SS523008	2	SHAFT SEAL	

\*All manufacturers names, numbers, marks, trademarks and symbols and descriptions are used for reference purposes only. Use of parts not supplied from the original manufacturer on machines under manufacturer warranty could potentially void your manufacturer warranty. Machined parts are built by Axis, not the original manufacturer.





\*All manufacturers names, numbers, marks, trademarks and symbols and descriptions are used for reference purposes only. Use of parts not supplied from the original manufacturer on machines under manufacturer warranty could potentially void your manufacturer warranty. Machined parts are built by Axis, not the original manufacturer.

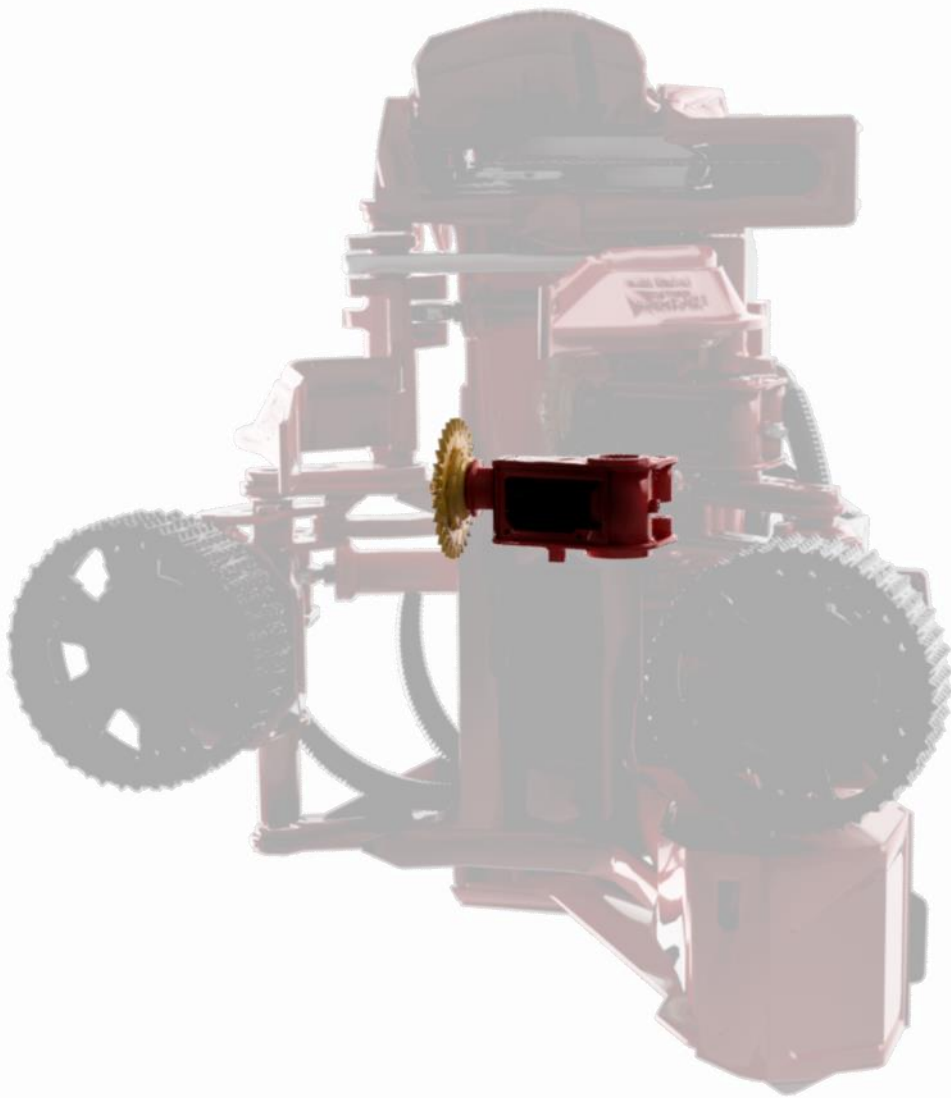


## Axis Fixed Feed Motors

No.	Axis Part No	Qty	Description	Notes
1	MT525400	2	HYDRAULIC MOTOR	TORQUE TO 92 FT-LBS
2	SK525400	2	FIXED MOTOR SEAL KIT	
3	DW750115	8	STUD - FIXED FEED MOTOR TO FRAME	
4	DW750177	1	FIXED CENTRE WHEEL WIDE VERSION	
5	DW750175	1	FIXED CENTRE WHEEL	
6	DW750125	1	FIXED DRIVE HUB - W/Studs & Nuts	
7	DW750124	8	WHEEL STUD - CENTRE WHEEL HUB	
8	DW750123	8	FIXED HUB NUT	
9	BW503812	2	NYLON SPACER	
10	MT525400-A	2	SHIM 0.005"	
11	MT525400-B	2	SHIM 0.010"	
12	MT525400-C	2	SHIM 0.020"	
13	MT525400-D	2	STEEL SHIM	
14	HV228100	2	MANIFOLD BLOCK	
15	GFB81070	8	BOLT - M10 X 70MM SOCKET HEAD	
16	GFW5375	8	ANTI-VIBRATION LOCKWASHER 3/8"	
17	SK228100	2	SEAL KIT - FIXED MOTOR MANIFOLD	
18	R24329C	2	O-RING	
19	R24432C	4	O-RING	
20	HV350886	2	SHOCK VALVE	
21	GFZ14P	2	GREASE FITTING	

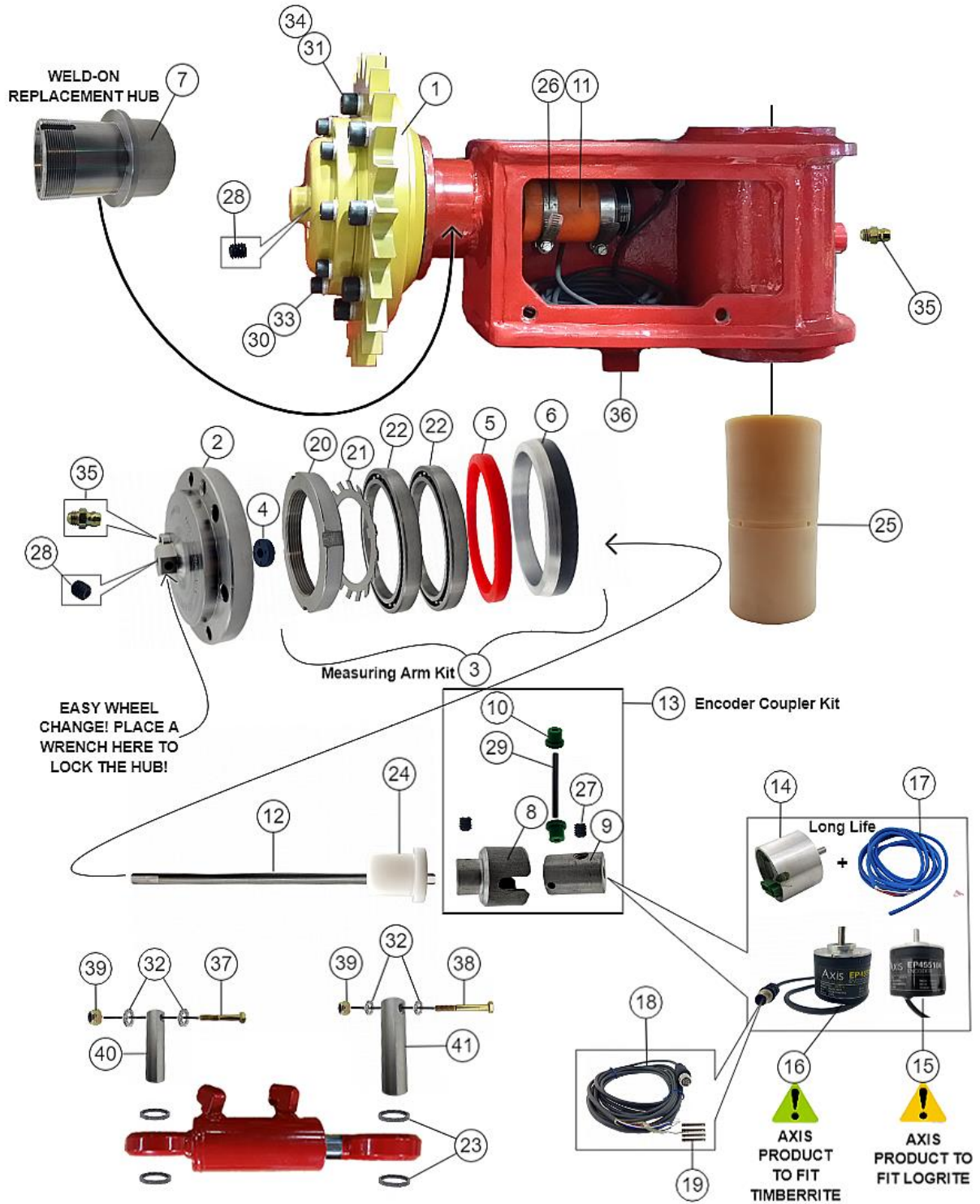
\*All manufacturers names, numbers, marks, trademarks and symbols and descriptions are used for reference purposes only. Use of parts not supplied from the original manufacturer on machines under manufacturer warranty could potentially void your manufacturer warranty. Machined parts are built by Axis, not the original manufacturer.





# LENGTH & DIAMETER MEASURING GROUP

Axis Length Measuring Assembly



\*All manufacturers names, numbers, marks, trademarks and symbols and descriptions are used for reference purposes only. Use of parts not supplied from the original manufacturer on machines under manufacturer warranty could potentially void your manufacturer warranty. Machined parts are built by Axis, not the original manufacturer.

Axis Length Measuring Assembly

No.	Axis Part No	Qty	Description	Notes
1	MW600110	1	MEASURING WHEEL BEARING HUB	
2	MW600111	1	MEASURING BEARING END CAP	
3	MW600100	1	MEASURING ARM PARTS KIT	
4	MW622087	1	SEAL	
5	MW688105	1	SEAL	
6	MW688106	1	SEAL - STEEL SPACER RING	
7	MW600107	1	MEASURING ARM WELD ON HUB	
8	MP322435	1	COUPLER	
9	MP190623	1	COUPLER	
10	MP670375	2	ENCODER BUSHING	
11	MP485976	1	LENGTH ENCODER MOUNT BUSHING	
12	MP160210	1	LENGTH ENCODER SHAFT	
13	MP190100	1	ENCODER COUPLER KIT	
14	EP455112	1	LONG LIFE ENCODER	Axis Product Made to Fit LogRite
15	EP455104	1	ENCODER - FITS LENGTH & DIAMETER	Axis Product Made to Fit LogRite
16	EP455110	1	ENCODER	Axis Product Made to Fit TimberRite
17	EP455145	1	CABLE FOR ENCODER	
18	EP455145	1	CABLE FOR TIMBERRITE ENCODER	
19	EP910220	4	DUETSCH SOCKET TERMINAL #20	
20	BR115754	1	LOCKNUT - MEASURING WHEEL SHAFT	
21	BR115753	1	LOCKWASHER - MEASURING WHEEL SHAFT	
22	BR115752	2	BEARING	
23	BW312603	4	SPACER - MEASURING CYLINDER	
24	BW250825	1	LENGTH ENCODER SHAFT GUIDE BUSHING	
25	BW9582192	1	NYLON BUSHING	
26	HS40	2	HOSE CLAMP 2-3"	
27	GFB92250250	2	SET SCREW	
28	GFB93212312	1	SET SCREW	
29	GFS3112150	1	SPRING PIN	
30	GFB3375125	8	BOLT - 3/8" X 1.25" SOCKET HEAD	
31	GFB3500125	8	BOLT - 1/2" X 1.25 SOCKET HEAD	
32	GFW5312	4	ANTI-VIBRATION LOCKWASHER 5/16"	
33	GFW5375	8	ANTI-VIBRATION LOCKWASHER 3/8"	
34	GFW5500	8	ANTI-VIBRATION LOCKWASHER 1/2"	
35	GFZ14P	1	GREASE FITTING	
36	MK980102	1	MEASURING ARM STOP	
37	GFB1312200	1	BOLT - 5/16" X 2" UNC HEX	
38	GFB1312250	1	BOLT - 5/16" X 2.50" UNC HEX	
39	GFN4312	2	NUT - NYLOCK 5/16" UNC	
40	PN160090	1	PIN - MEASURING CYLINDER BARREL END	
41	PN160173	1	PIN - MEASURING CYLINDER ROD END	

\*All manufacturers names, numbers, marks, trademarks and symbols and descriptions are used for reference purposes only. Use of parts not supplied from the original manufacturer on machines under manufacturer warranty could potentially void your manufacturer warranty. Machined parts are built by Axis, not the original manufacturer.

Axis Length Measuring Wheels



\*All manufacturers names, numbers, marks, trademarks and symbols and descriptions are used for reference purposes only. Use of parts not supplied from the original manufacturer on machines under manufacturer warranty could potentially void your manufacturer warranty. Machined parts are built by Axis, not the original manufacturer.

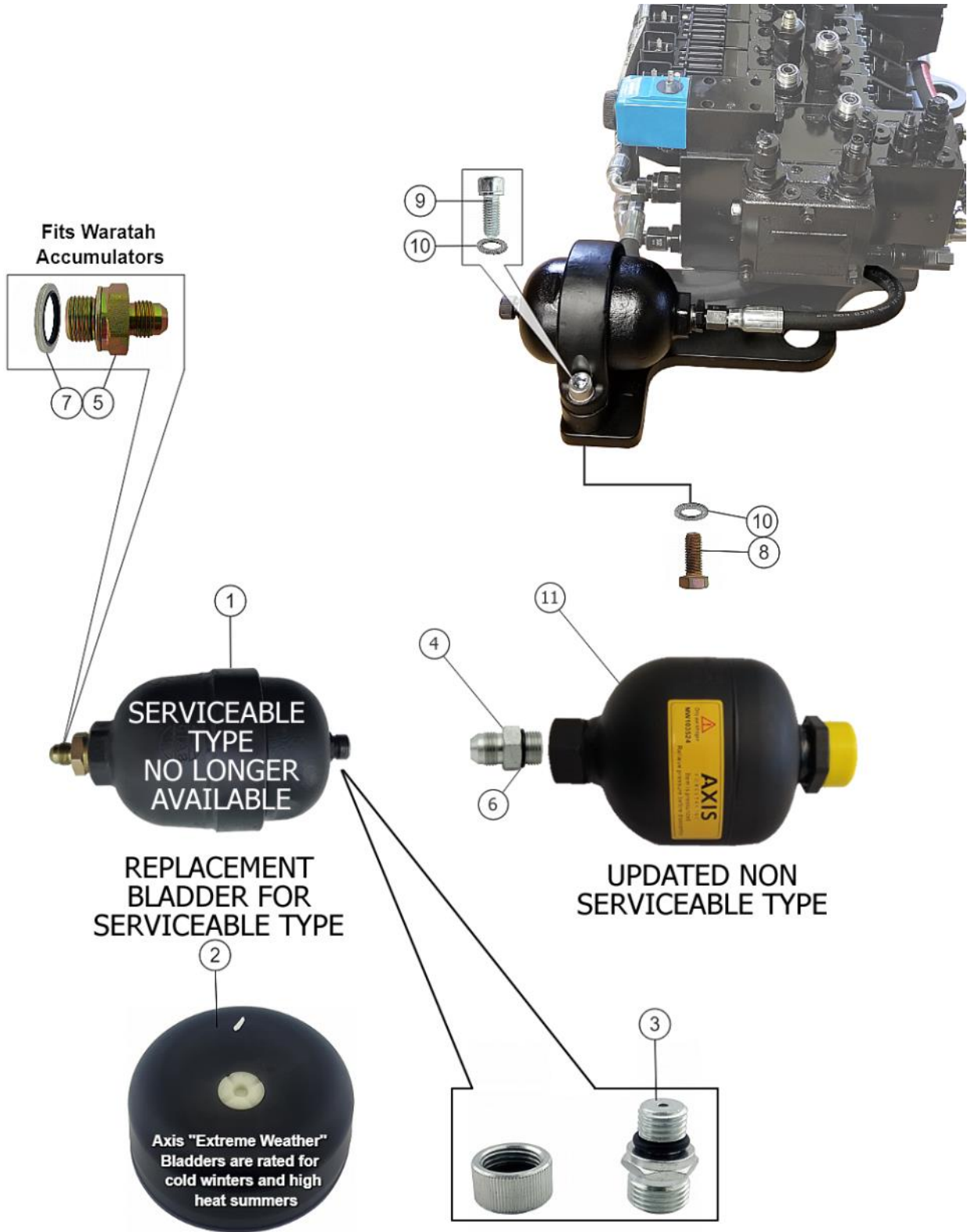
## Axis Length Measuring Wheels

No.	Axis Part No	Qty	Description	Notes
1	MW600113	1	MEASURING WHEEL - 25 TOOTH	
2	MW600114	1	MEASURING WHEEL - 48 TOOTH	
3	MW600115	1	MEASURING WHEEL - SERRATED	
4	MW600117	1	MEASURING WHEEL - 65 TOOTH	
5	MW600402	1	MEASURING WHEEL - 25 TOOTH 1.25" WIDE	
6	MW600313	1	MEASURING WHEEL - 3" MULTI STEM	
7	GFB3500125	8	BOLT - 1/2" X 1.25 SOCKET HEAD	
8	GFB3500225	8	BOLT - 1/2" X 2.25" SOCKET HEAD	

\*All manufacturers names, numbers, marks, trademarks and symbols and descriptions are used for reference purposes only. Use of parts not supplied from the original manufacturer on machines under manufacturer warranty could potentially void your manufacturer warranty. Machined parts are built by Axis, not the original manufacturer.



Axis Accumulator



\*All manufacturers names, numbers, marks, trademarks and symbols and descriptions are used for reference purposes only. Use of parts not supplied from the original manufacturer on machines under manufacturer warranty could potentially void your manufacturer warranty. Machined parts are built by Axis, not the original manufacturer.

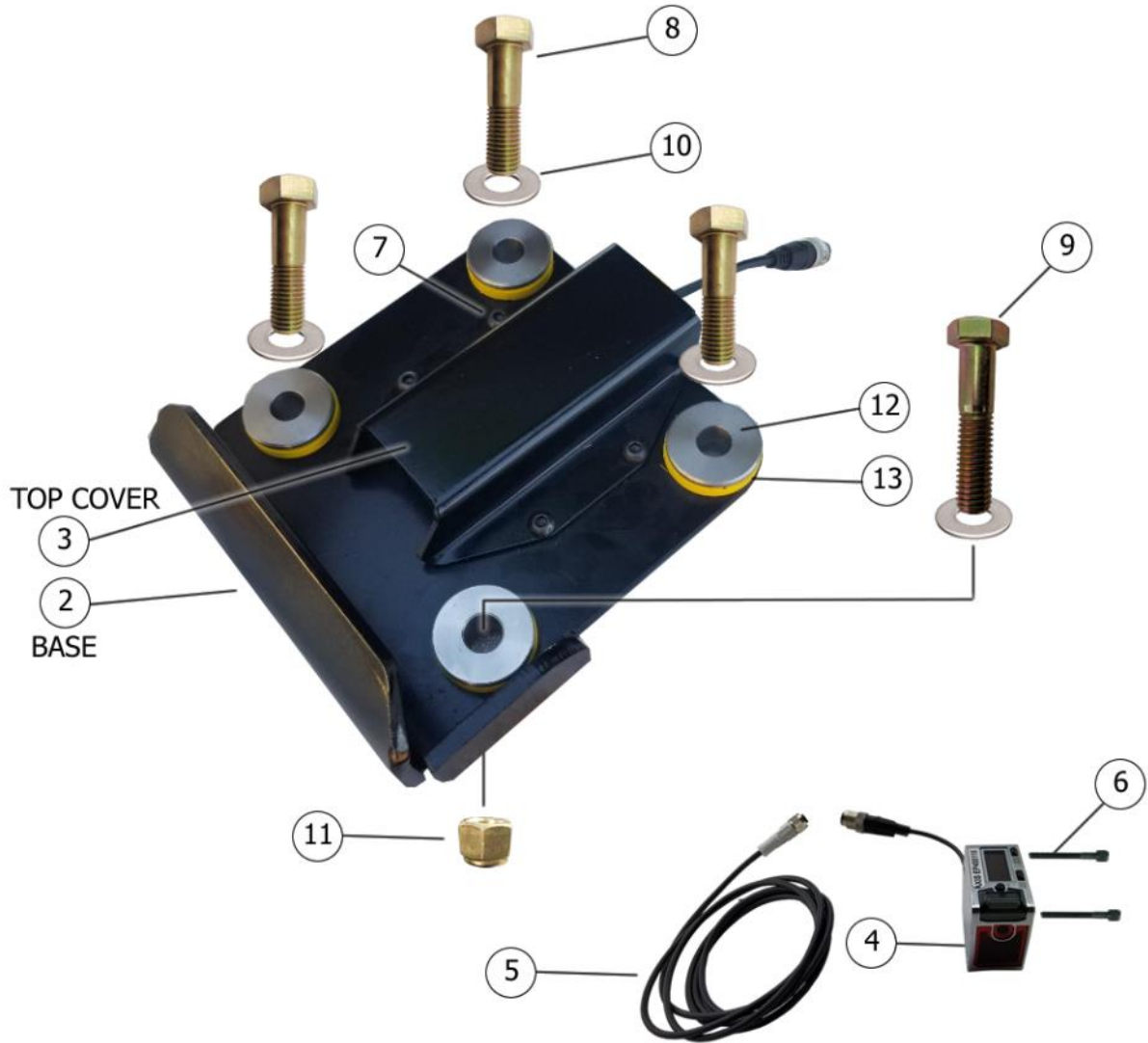
## Axis Accumulator



No.	Axis Part No	Qty	Description	Notes
1	MW103523	1	ACCUMULATOR	NO LONGER AVAILABLE
2	MW103526	1	BLADDER - Extreme Weather	FITS SERVICEABLE ACCUMULATORS ONLY
3	MW103521	1	ACCUMULATOR FITTING	FITS SERVICEABLE ACCUMULATORS ONLY
4	HF2080-6-8	1	FITTING - #6 JIC MALE X #8 ORB MALE	
5	HF2091-6-18	1	FITTING - #6 JIC MALE X M18 MALE	
6	ORB3-908	1	ORING FOR #8 ORB	
7	BSP18M	1	METRIC BONDED SEAL M18	
8	GFB1500125	2	BOLT - 1/2" 1.25" UNC HEX	
9	GFB3500125	2	BOLT - 1/2" X 1.25 SOCKET HEAD	
10	GFW5500	4	ANTI-VIBRATION LOCKWASHER 1/2"	
11	MW103524	1	ACCUMULATOR	CURRENT DESIGN—REQUEST CHARGED OR NOT CHARGED WHEN ORDERING.

\*All manufacturers names, numbers, marks, trademarks and symbols and descriptions are used for reference purposes only. Use of parts not supplied from the original manufacturer on machines under manufacturer warranty could potentially void your manufacturer warranty. Machined parts are built by Axis, not the original manufacturer.

① COMPLETE KIT



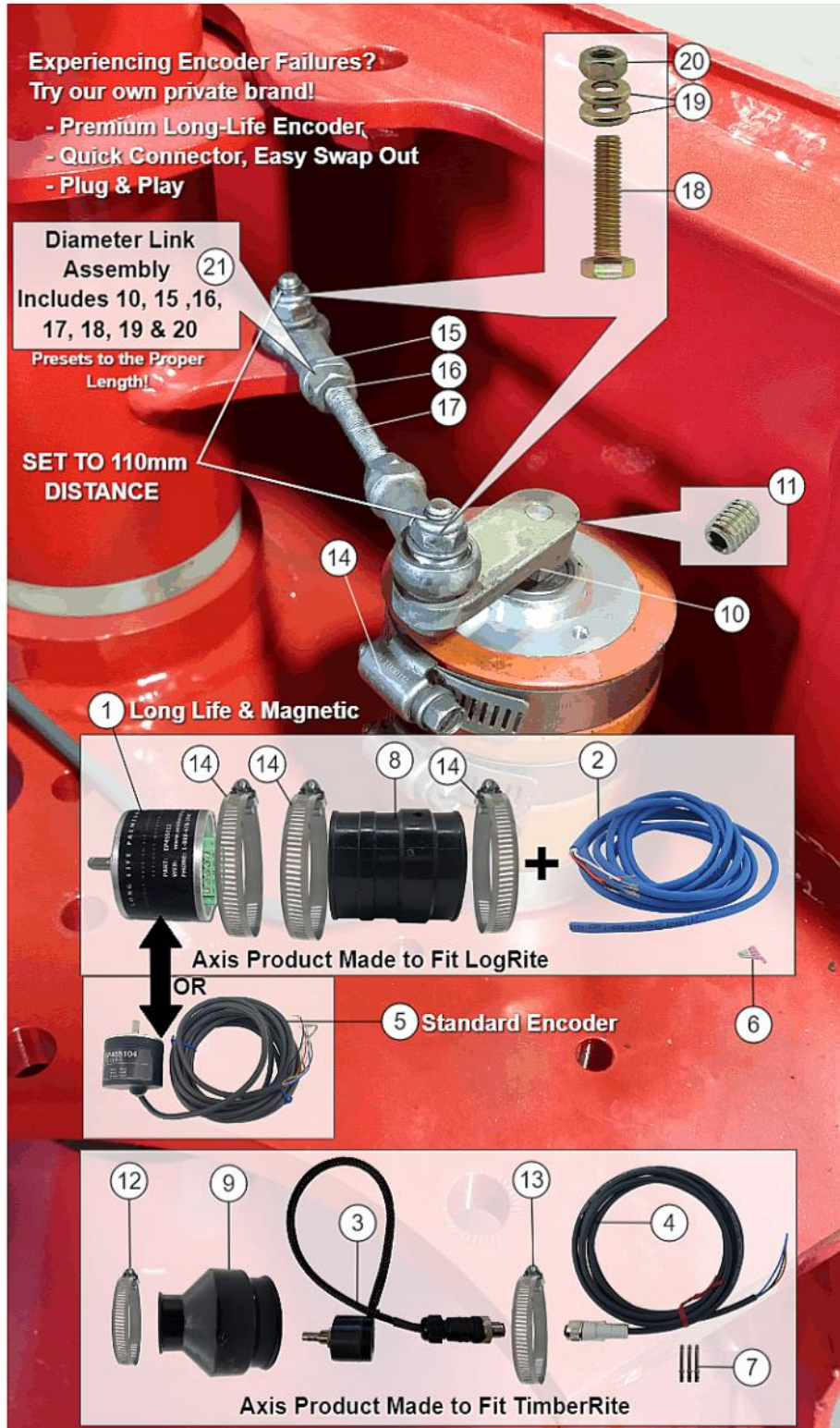
\*All manufacturers names, numbers, marks, trademarks and symbols and descriptions are used for reference purposes only. Use of parts not supplied from the original manufacturer on machines under manufacturer warranty could potentially void your manufacturer warranty. Machined parts are built by Axis, not the original manufacturer.

## Axis Find End

No.	Axis Part No	Qty	Description	Notes
1	MP190201	1	PHOTO EYE ASSY - 622B	
2	GC455201	1	BASE PLATE	
3	GC455202	1	TOP COVER	
4	EP455115	1	LASER PHOTO EYE	
5	EP455145	1	EXTENSION CABLE	
6	GFB80325	2	BOLT - M3 X 35mm	
7	GFB90612	4	BOLT - M6 X 12mm	
8	GFB1500175	3	BOLT - 1/2" X 1.75" UNC HEX	
9	GFB1500225	1	BOLT - 1/2" X 2.25" UNC HEX	
10	GFW1500	4	WASHER	
11	GFN4500	1	NUT - 1/2" NYLOCK	
12	MR561709	4	STEEL SPACER	
13	MR561708	8	YELLOW BUSHING	

\*All manufacturers names, numbers, marks, trademarks and symbols and descriptions are used for reference purposes only.  
Use of parts not supplied from the original manufacturer on machines under manufacturer warranty could potentially void your  
manufacturer warranty. Machined parts are built by Axis, not the original manufacturer.

Axis Diameter Measuring



\*All manufacturers names, numbers, marks, trademarks and symbols and descriptions are used for reference purposes only. Use of parts not supplied from the original manufacturer on machines under manufacturer warranty could potentially void your manufacturer warranty. Machined parts are built by Axis, not the original manufacturer.

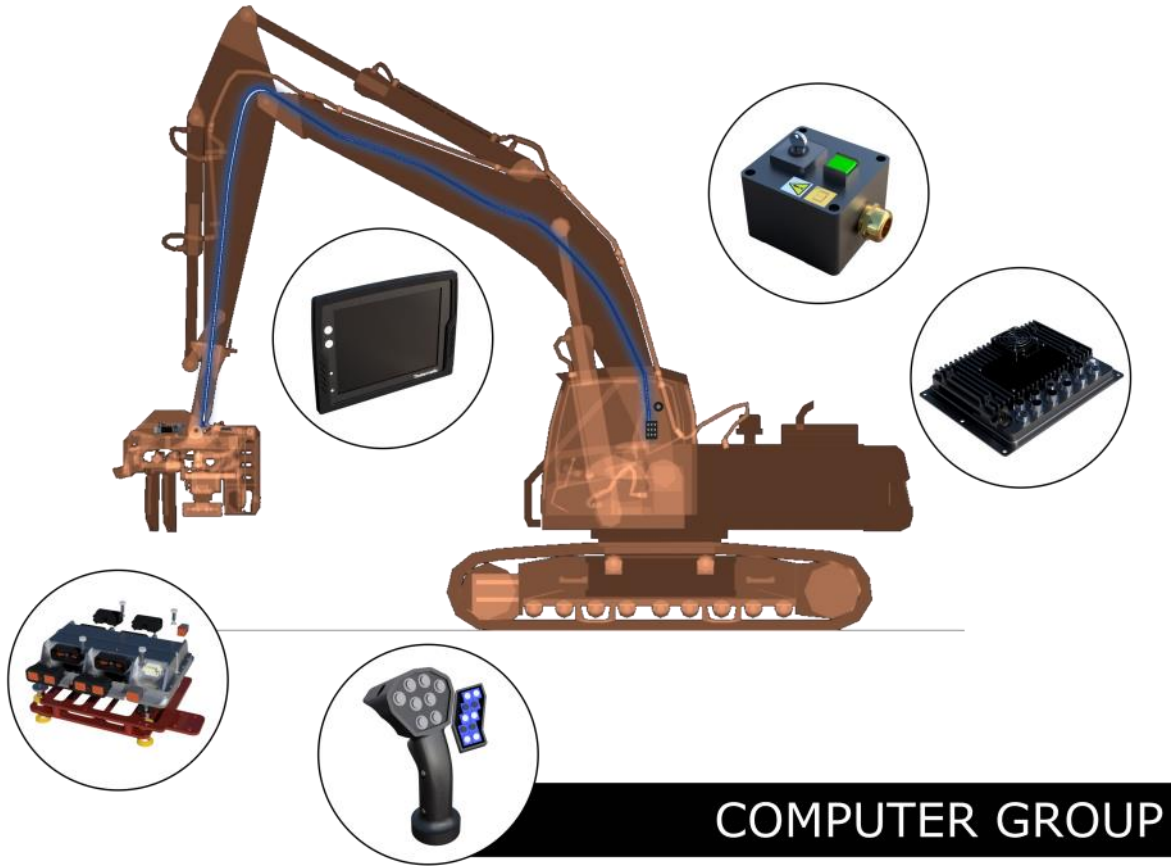
Axis Diameter Measuring

No.	Axis Part No	Qty	Description	Notes
1	EP455112	1	LONG LIFE ENCODER	
2	EP455145	1	EXTENSION CABLE	
3	EP455109	1	POTENTIOMETER	
4	EP455145	1	EXTENSION CABLE	
5	EP455104	1	STANDARD ENCODER	
6	EP750122	10	PINK BOOTLACE FERRULE	CRIMP ONTO END OF WIRES
7	EP910122	3	DEUTSCH SOCKET TERMINAL #20	
8	MP486472	1	BUSHING	
9	MP793277	1	DIAMETER POTENTIOMETER MOUNT BUSHING	
10	MP160060	1	DIAMETER MEASURING LINK	
11	GFB92608	1	SET SCREW - M6 X 8	
12	HS16	1	HOSE CLAMP	
13	HS32	1	HOSE CLAMP	
14	HS40	3	HOSE CLAMP	
15	BR116006	2	ROD END	
16	GFN206	2	NUT - M6	
17	MP160070	1	ROD	
18	GFB70625	2	BOLT - M6 X 25MM HEX HEAD	
19	GFW1250	4	WASHER - 1/4" HARDENED	
20	GFN606	2	NYLOCK 6MM	
21	MP100208	1	DIAMETER LINK ASSEMBLY	

\*All manufacturers names, numbers, marks, trademarks and symbols and descriptions are used for reference purposes only. Use of parts not supplied from the original manufacturer on machines under manufacturer warranty could potentially void your manufacturer warranty. Machined parts are built by Axis, not the original manufacturer.



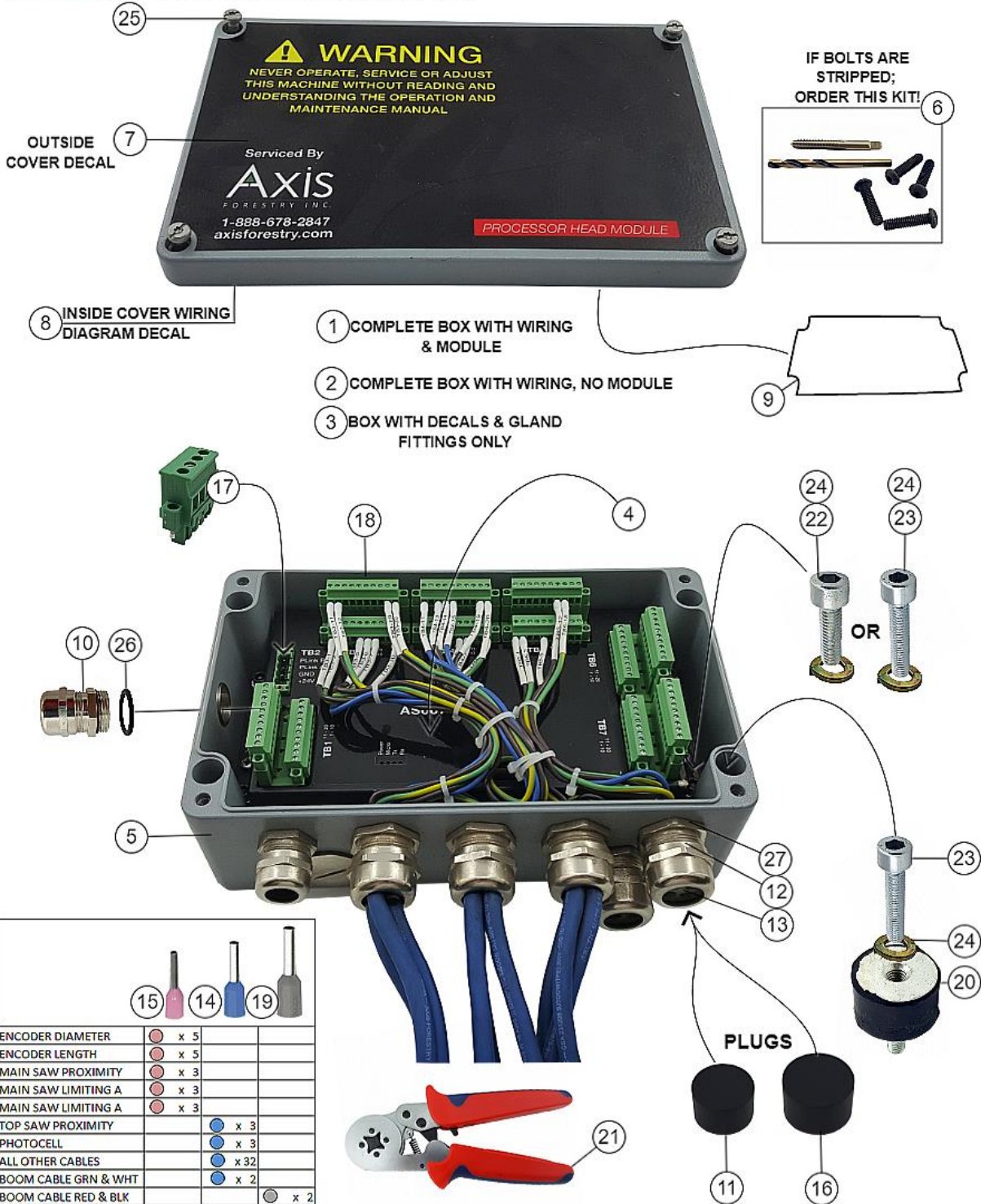




Head Module



Axis Product Made to Fit LogRite Only



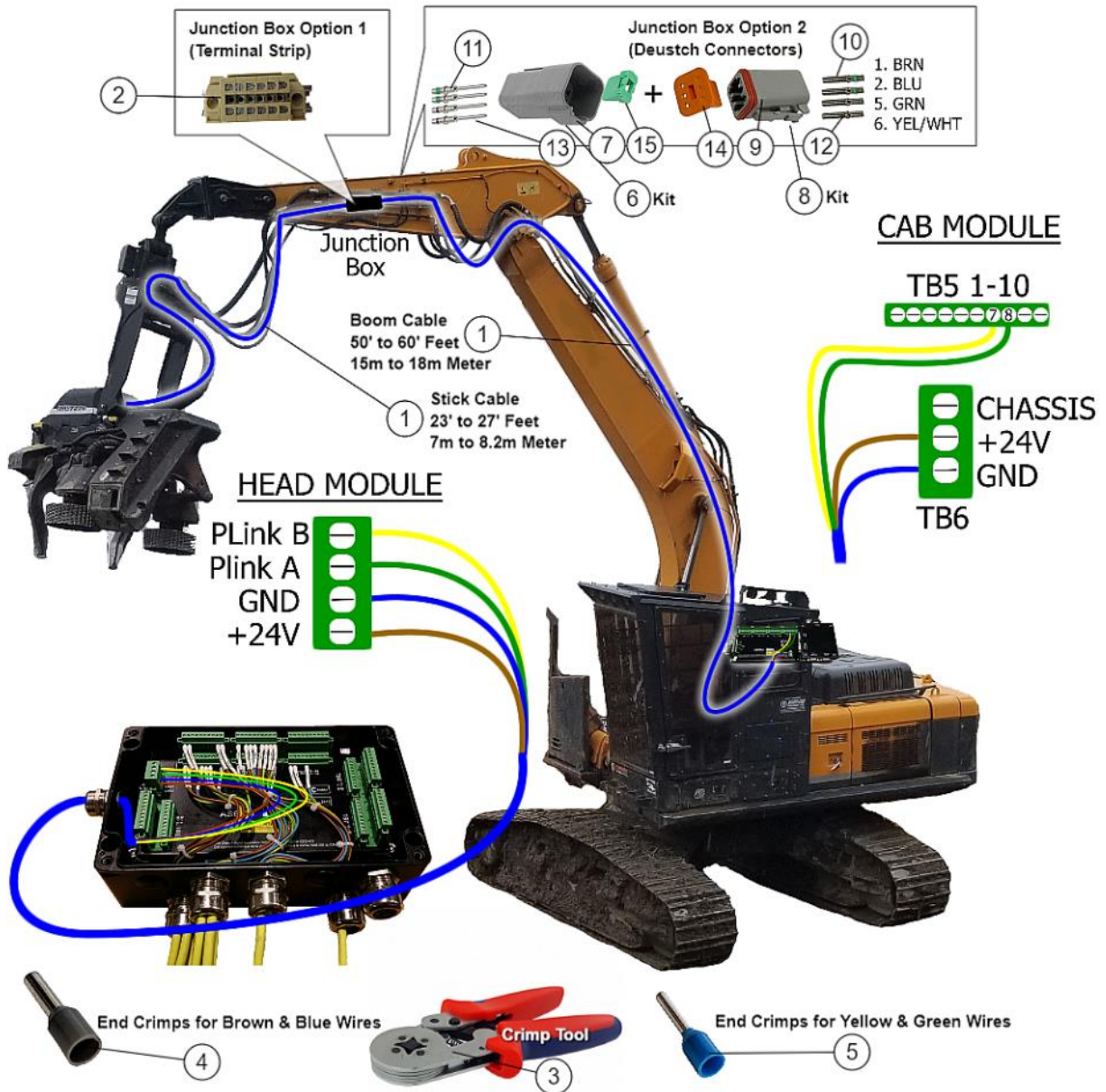
\*All manufacturers names, numbers, marks, trademarks and symbols and descriptions are used for reference purposes only. Use of parts not supplied from the original manufacturer on machines under manufacturer warranty could potentially void your manufacturer warranty. Machined parts are built by Axis, not the original manufacturer.

Head Module

No.	Axis Part No	Qty	Description	Notes
1	EP667001	1	HEAD MODULE BOX WITH WIRING	HEAD MODULE INCLUDED
2	EP667002	1	HEAD MODULE BOX WITH WIRING	HEAD MODULE NOT INCLUDED
3	EP667003	1	HEAD MODULE BOX	DECALS AND GLAND FITTINGS ONLY
4	EP667	1	HEAD MODULE AS667 EXCHANGE UNIT	
5	EP667004	1	HEAD MODULE BOX - EMPTY	
6	EP667200	1	HEAD MODULE BOX COVER	OVERSIZE BOLT KIT
7	EP667101	1	DECAL - HEAD MODULE OUTSIDE LID	
8	EP667103	1	DECAL - HEAD MODULE INSIDE LID	
9	EP667201	1	HEAD MODULE SEAL	
10	EP698740	1	GLAND	
11	EP698642	1	PLUG	
12	EP698750	5	GLAND	
13	EP698460	5	INSERT - 4 HOLE	
14	EP750116	40	BLUE BOOTLACE FERRULE - 20 AWG	
15	EP750122	19	PINK BOOTLACE FERRULE - 24AWG	
16	EP698643	1	PLUG	
17	EP750404	1	TERMINAL STRIP BASE- HEAD MODULE PWR	
18	EP750381	12	TERMINAL STRIP 10 POLE	
19	EP750114	2	GREY BOOTLACE FERRULE 14AWG	
20	EP667203	4	VIBRATION MOUNT WITH STUD FOR HEAD MODULE	
21	EP750100	1	CRIMP TOOL - BOOTLACE FERRULES	
22	GFB80620	4	BOLT - M6 X 20MM SOCKET HEAD	
23	GFB80630	4	BOLT - M6 X 30MM SOCKET HEAD	Fits AS657 Module
24	GFW5250	4	ANTI-VIBRATION LOCKWASHER 1/4"	
25	GFB80625	4	BOLT - M6 X 25 SOCKET HEAD	
26	T282395V	1	O-RING	
27	T330377V	6	O-RING	

\*All manufacturers names, numbers, marks, trademarks and symbols and descriptions are used for reference purposes only. Use of parts not supplied from the original manufacturer on machines under manufacturer warranty could potentially void your manufacturer warranty. Machined parts are built by Axis, not the original manufacturer.

270° Rotation Heads - Boom Wiring Axis Product Made to Fit LogRite



\*All manufacturers names, numbers, marks, trademarks and symbols and descriptions are used for reference purposes only. Use of parts not supplied from the original manufacturer on machines under manufacturer warranty could potentially void your manufacturer warranty. Machined parts are built by Axis, not the original manufacturer.

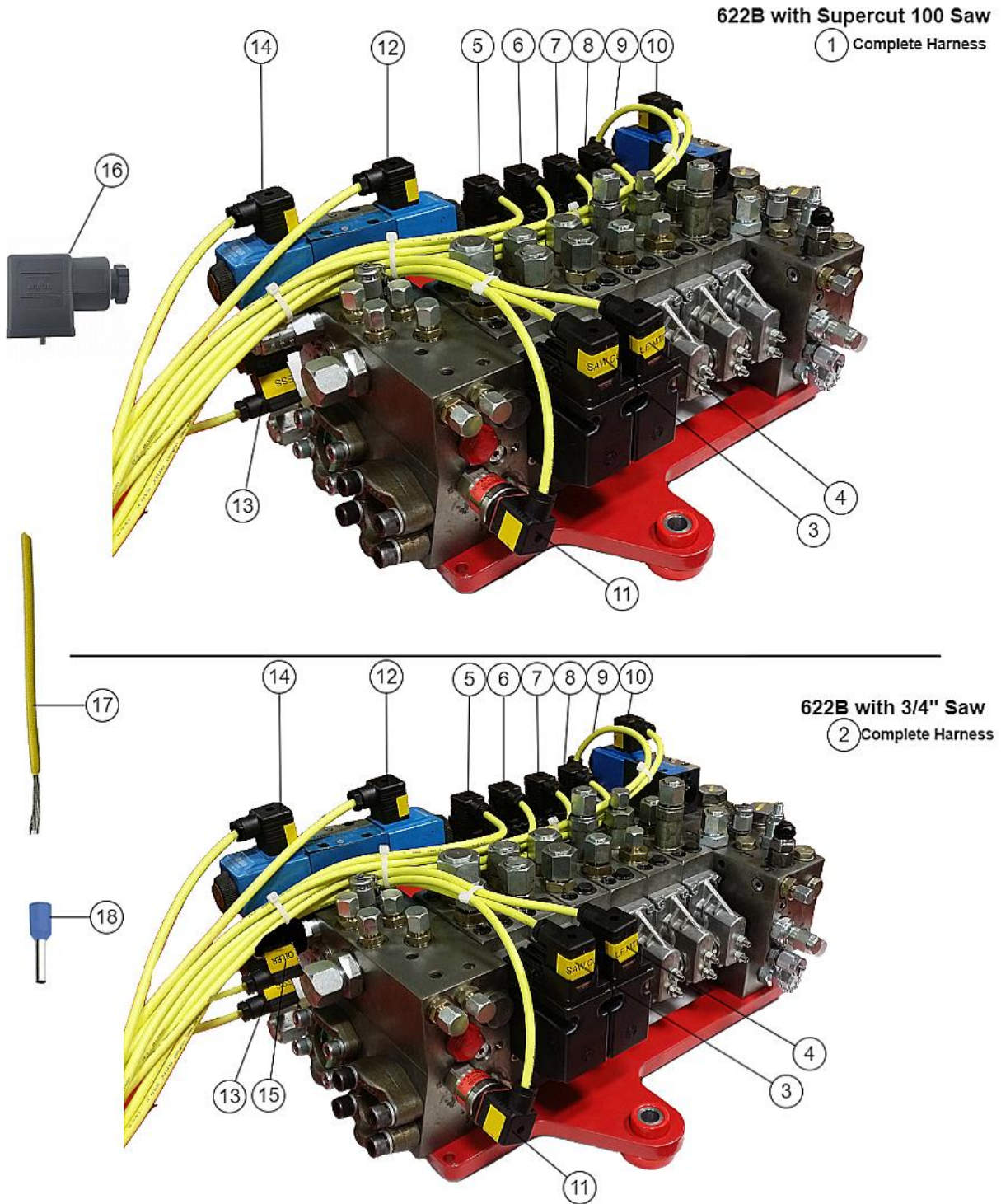
270° Rotation Heads - Boom Wiring Axis Product Made to Fit LogRite

No.	Axis Part No	Qty	Description	Notes
1	EP456111	82	WIRE - 6 STRAND BOOM CABLE	ONLY FOUR WIRES ARE REQUIRED
2	EP684013	1	JUNCTION BOX	
3	EP750100	1	CRIMP TOOL - BOOTLACE FURRULES	
4	EP750114	8	GREY BOOTLACE FURRULE - 14 AWG	
5	EP750116	8	BLUE BOOTLACE FERRULE - 20 AWG	
6	EP910146	3	DEUTSCH RECEPTACLE 6 PIN WITH WEDGE LOCK	
7	EP910156	3	DEUTSCH CONNECTOR 6 PIN WITH WEDGE LOCK	
8	EP910166	4	DEUTSCH PLUG 6 WIRE WITH WEDGE LOCK	
9	EP910176	4	DEUTSCH PLUG 6 WIRE	
10	EP910208	2	DEUTSCH SOCKET TERMINAL #14	GREEN STRIPE
11	EP910209	2	DEUTSCH SOCKET TERMINAL #14	GREEN STRIPE
12	EP910210	2	DEUTSCH SOCKET TERMINAL #16	
13	EP910211	2	DEUTSCH PIN TERMINAL #16	
14	EP920601	4	WEDGE LOCK FOR 6 WIRE PLUG	
15	EP920602	3	WEDGE LOCK FOR 6 WIRE RECEPTACLE	

\*All manufacturers names, numbers, marks, trademarks and symbols and descriptions are used for reference purposes only. Use of parts not supplied from the original manufacturer on machines under manufacturer warranty could potentially void your manufacturer warranty. Machined parts are built by Axis, not the original manufacturer.



Axis Wiring Harness Made to Fit LogRite



\*All manufacturers names, numbers, marks, trademarks and symbols and descriptions are used for reference purposes only. Use of parts not supplied from the original manufacturer on machines under manufacturer warranty could potentially void your manufacturer warranty. Machined parts are built by Axis, not the original manufacturer.

Axis Wiring Harness Made to Fit LogRite

No.	Axis Part No	Qty	Description	Notes
1	EP750622CA	1	CABLE HARNESS	HEADS EQUIPPED WITH SUPERCUT MAIN SAW
2	EP750622CA34	1	CABLE HARNESS - COMPLETE	HEADS EQUIPPED WITH 3/4" MAIN SAW
3	EP750622-E	1	CABLE HARNESS - SAWS CUT	
4	EP750622-A	1	CABLE HARNESS - LEFT MOTOR	
5	EP750622-B	1	CABLE HARNESS - RIGHT MOTOR	
6	EP750622-H	1	CABLE HARNESS - DRIVE ARM	
7	EP750622-D	1	CABLE HARNESS - TILT	
8	EP750622-J	1	CABLE HARNESS - DELIMB	
9	EP750622-K	1	CABLE HARNESS - HYDRAULIC LOAD SENSE PSI	FITS TO OPTIONAL PRESSURE SENSOR
10	EP750622-C	1	CABLE HARNESS - MEASURING ARM RETURN	
11	EP750622-L	1	CABLE HARNESS - HYDRAULIC MAIN PSI SENSOR	FITS TO OPTIONAL PRESSURE SENSOR
12	EP750622-F	1	CABLE HARNESS - SAW CYL OUT	
13	EP750622-G	1	CABLE HARNESS - SAW PRESSURE	
14	EP750622-I	1	CABLE HARNESS - SAWS RETURN	
15	EP750622-M	1	CABLE HARNESS - 3/4" SAW OILER	
16	EP455100	1	CONNECTOR	
17	EP456126	1	CABLE - 3 CONDUCTOR BLUE JACKET	SOLD PER FOOT
18	EP750116	1	BLUE BOOTLACE FERRULE - 20 AWG	

\*All manufacturers names, numbers, marks, trademarks and symbols and descriptions are used for reference purposes only. Use of parts not supplied from the original manufacturer on machines under manufacturer warranty could potentially void your manufacturer warranty. Machined parts are built by Axis, not the original manufacturer.





Cab Module

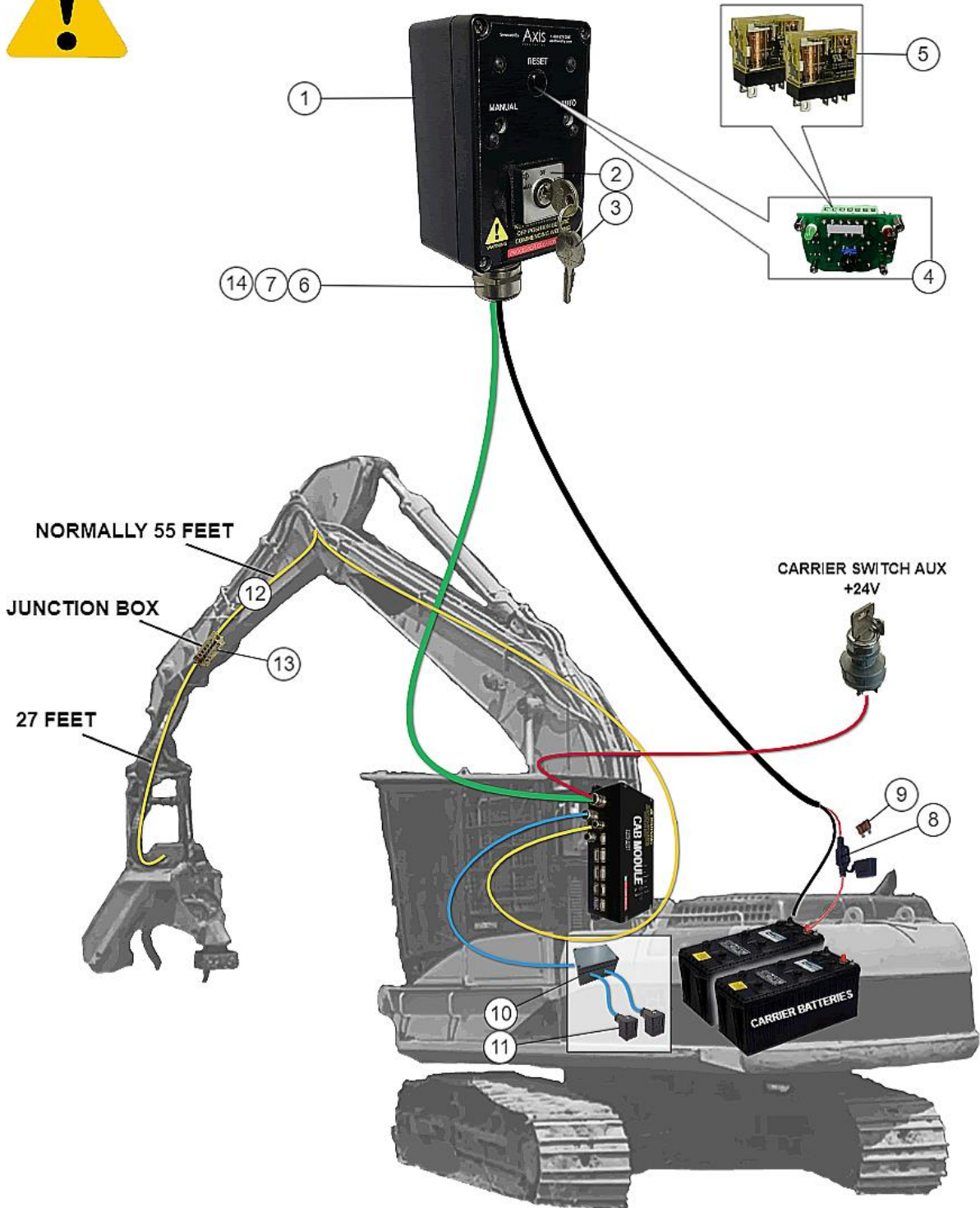
No.	Axis Part No	Qty	Description	Notes
1	EP696	1	CAB MODULE	
2	EP696004	1	CAB MODULE BLANK ENCLOSURE BOX	
3	EP455107	1	RELAY - FITS CAB MODULE & KEY SWITCH BOX	
4	EP698720	1	GLAND	
5	EP698740	1	GLAND	
6	EP698750	2	GLAND	
7	EP698280	2	INSERT - 2 HOLE	
8	EP696305	1	INTERNAL CABLE - COLOUR SCREEN POWER SUPPLY	
9	EP696311	1	INTERNAL HARNESS - SPECIES/PRESELECT PAD	
10	EP696312	1	INTERNAL HARNESS - LEFT JOYSTICK	
11	EP696313	1	INTERNAL HARNESS - RIGHT JOYSTICK	
12	EP696314	1	INTERNAL HARNESS - FILTER DIAGNOSTICS	
13	EP696304	1	SERIAL PORT PROGRAMMING CABLE	
14	EP696306	1	INTERNAL CABLE - PRINTER	
15	EP696302	1	RIBBON CABLE - CAB MODULE VGA PORT	
16	EP696301	1	RIBBON CABLE - CAB MODULE PS2/NUMPAD PORT	
17	EP696303	1	RIBBON CABLE -CAB MODULE USB NUMPAD PORT	
18	EP750230A	9	JACKSCREW KIT	
19	EP696204	4	BUSHING - CAB MODULE MOUNT	
20	EP696202	1	CAB MODULE MOUNT SUB-PLATE	
21	EP696201	1	CAB MODULE SEAL	
22	EP696101	1	CAB MODULE OUTSIDE LID DECAL	
23	EP696102	1	CAB MODULE INSIDE LID DECAL	
24	GFB80516	4	BOLT - 5 X 16MM SOCKET HEAD	
25	GFB80530	4	BOLT - 5 X 30MM SOCKET HEAD	
26	GFW605	4	WASHER - 5MM INTERNAL STAR	
27	T330377A	1	O-RING	
28	T282395A	1	O-RING	
29	R24323C	1	O-RING	

\*All manufacturers names, numbers, marks, trademarks and symbols and descriptions are used for reference purposes only. Use of parts not supplied from the original manufacturer on machines under manufacturer warranty could potentially void your manufacturer warranty. Machined parts are built by Axis, not the original manufacturer.

Key Switch Box and Cabling



**AXIS PRODUCT MADE TO FIT LOGRITE ONLY**



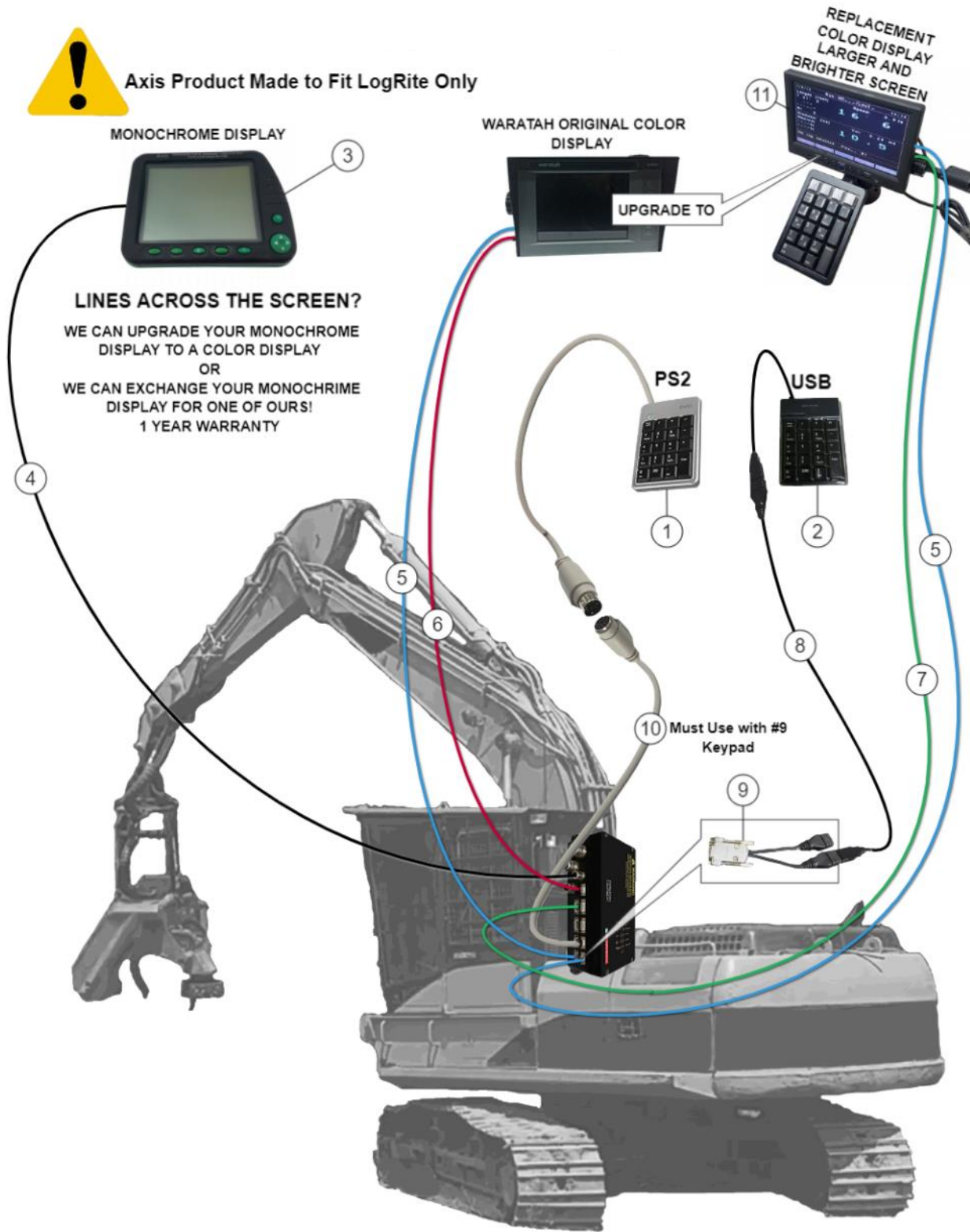
\*All manufacturers names, numbers, marks, trademarks and symbols and descriptions are used for reference purposes only. Use of parts not supplied from the original manufacturer on machines under manufacturer warranty could potentially void your manufacturer warranty. Machined parts are built by Axis, not the original manufacturer.

Key Switch Box and Cabling

No.	Axis Part No	Qty	Description	Notes
1	EP683	1	KEY SWITCH BOX ASSEMBLY	
2	EP683001	1	KEY SWITCH	
3	EP683002	1	KEY FOR KEY SWITCH	
4	EP683003	1	PRINTED CIRCUIT BOARD	
5	EP455107	2	RELAY	
6	EP698750	1	GLAND	
7	EP698280	1	INSERT - 2 HOLE	
8	EP990001	1	INLINE FUSE HOLDER	
9	EP990002	1	FUSE	
10	EP684012	1	PUMP 1 & 2 SOLENOIDS BOX ASSEMBLY	
11	EP455100	2	CONNECTOR	INCLUDES CABLES
12	EP456111	1	WIRE - 6 STRAND BOOM CABLE	SOLD PER FOOT
13	EP684013	1	JUNCTION BOX	
14	T330377V	1	O-RING	

\*All manufacturers names, numbers, marks, trademarks and symbols and descriptions are used for reference purposes only. Use of parts not supplied from the original manufacturer on machines under manufacturer warranty could potentially void your manufacturer warranty. Machined parts are built by Axis, not the original manufacturer.

Display Screens and Menu Navigation



\*All manufacturers names, numbers, marks, trademarks and symbols and descriptions are used for reference purposes only. Use of parts not supplied from the original manufacturer on machines under manufacturer warranty could potentially void your manufacturer warranty. Machined parts are built by Axis, not the original manufacturer.

Display Screens and Menu Navigation

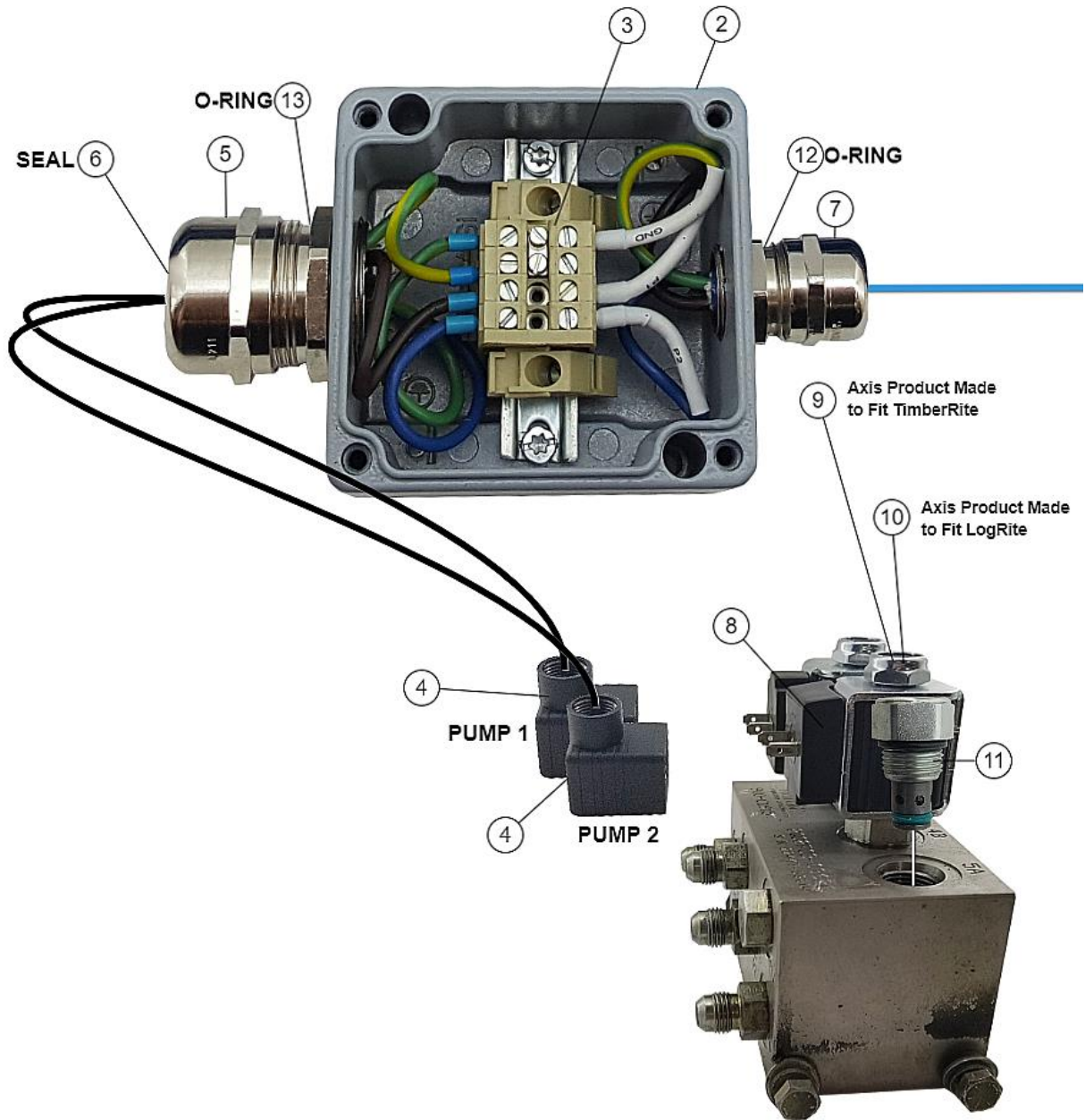
No.	Axis Part No	Qty	Description	Notes
1	EP624700	1	MENU NAVIGATION KEYPAD PS/2 TYPE	
2	EP624701	1	MENU NAVIGATION KEYPAD USB TYPE	
3	EP750	1	DISPLAY SCREEN - MONOCHROME	
4	EP750150	1	CABLE - WARATAH MONOCHROME DISPLAY	
5	EP750151	2	COLOR DISPLAY SCREEN POWER CABLE	
6	EP750152	1	VGA EXTENSION CABLE	
7	EP750152C	1	VGA CABLE	
8	EP750153	1	USB EXTENSION CABLE	
9	EP750154	1	ADAPTER	
10	EP750156	1	PS/2 NAVIGATION KEYPAD EXTENSION	CABLE WITH THREADED CONNECTOR
11	EP785	1	COLOR SCREEN	

\*All manufacturers names, numbers, marks, trademarks and symbols and descriptions are used for reference purposes only. Use of parts not supplied from the original manufacturer on machines under manufacturer warranty could potentially void your manufacturer warranty. Machined parts are built by Axis, not the original manufacturer.



Pump Solenoids & Wiring

① COMPLETE ASSEMBLY WITH WIRING & CONNECTORS



\*All manufacturers names, numbers, marks, trademarks and symbols and descriptions are used for reference purposes only. Use of parts not supplied from the original manufacturer on machines under manufacturer warranty could potentially void your manufacturer warranty. Machined parts are built by Axis, not the original manufacturer.

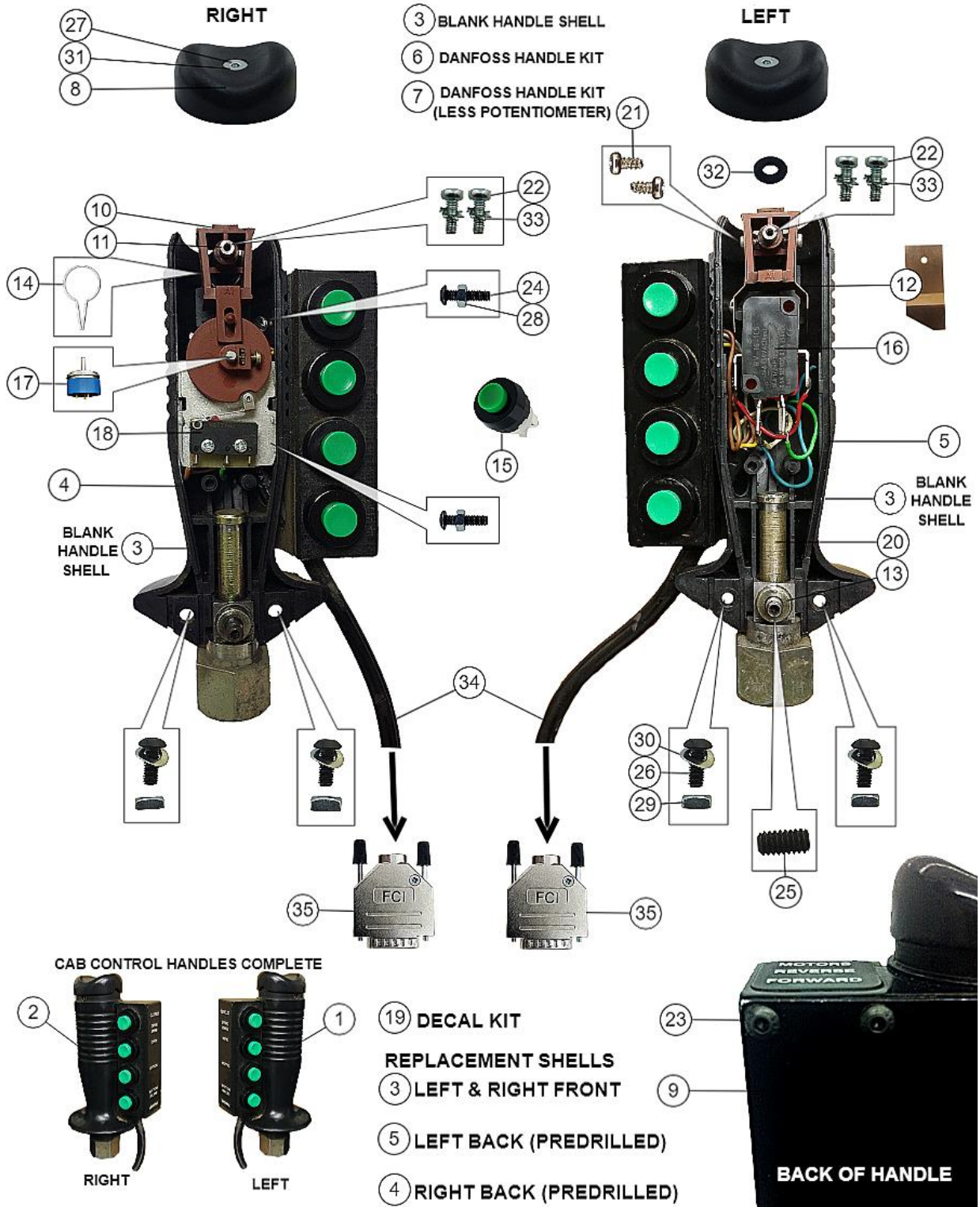


Pump Solenoids & Wiring

No.	Axis Part No	Qty	Description	Notes	
1	EP684012	1	PUMP 1 & 2 SOLENOIDS BOX ASSEMBLY	INCLUDES CABLES	
2	EP684011	1	PUMP SOLENOID BOX		
3	EP684005	1	PUMP SOLENOID TERMINAL ASSEMBLY		
4	EP455100	3	CONNECTOR		
5	EP698750	1	GLAND		
6	EP698460	1	INSERT- 4 HOLE		
7	EP698720	1	GLAND		
8	HV350024	2	COIL		
9	HV350882	2	PUMPS 1 & 2 SOLENOID VALVE		AXIS PRODUCT MADE TO FIT TIMBERRITE
10	HV350883	2	PUMPS 1 & 2 SOLENOID VALVE		AXIS PRODUCT MADE TO FIT LOGRITE
11	HV350884	1	CHECK VALVE		
12	T282395V	1	O-RING		
13	T330377V	1	O-RING		

\*All manufacturers names, numbers, marks, trademarks and symbols and descriptions are used for reference purposes only. Use of parts not supplied from the original manufacturer on machines under manufacturer warranty could potentially void your manufacturer warranty. Machined parts are built by Axis, not the original manufacturer.

Danfoss Control Handles



\*All manufacturers names, numbers, marks, trademarks and symbols and descriptions are used for reference purposes only. Use of parts not supplied from the original manufacturer on machines under manufacturer warranty could potentially void your manufacturer warranty. Machined parts are built by Axis, not the original manufacturer.

## Danfoss Control Handles

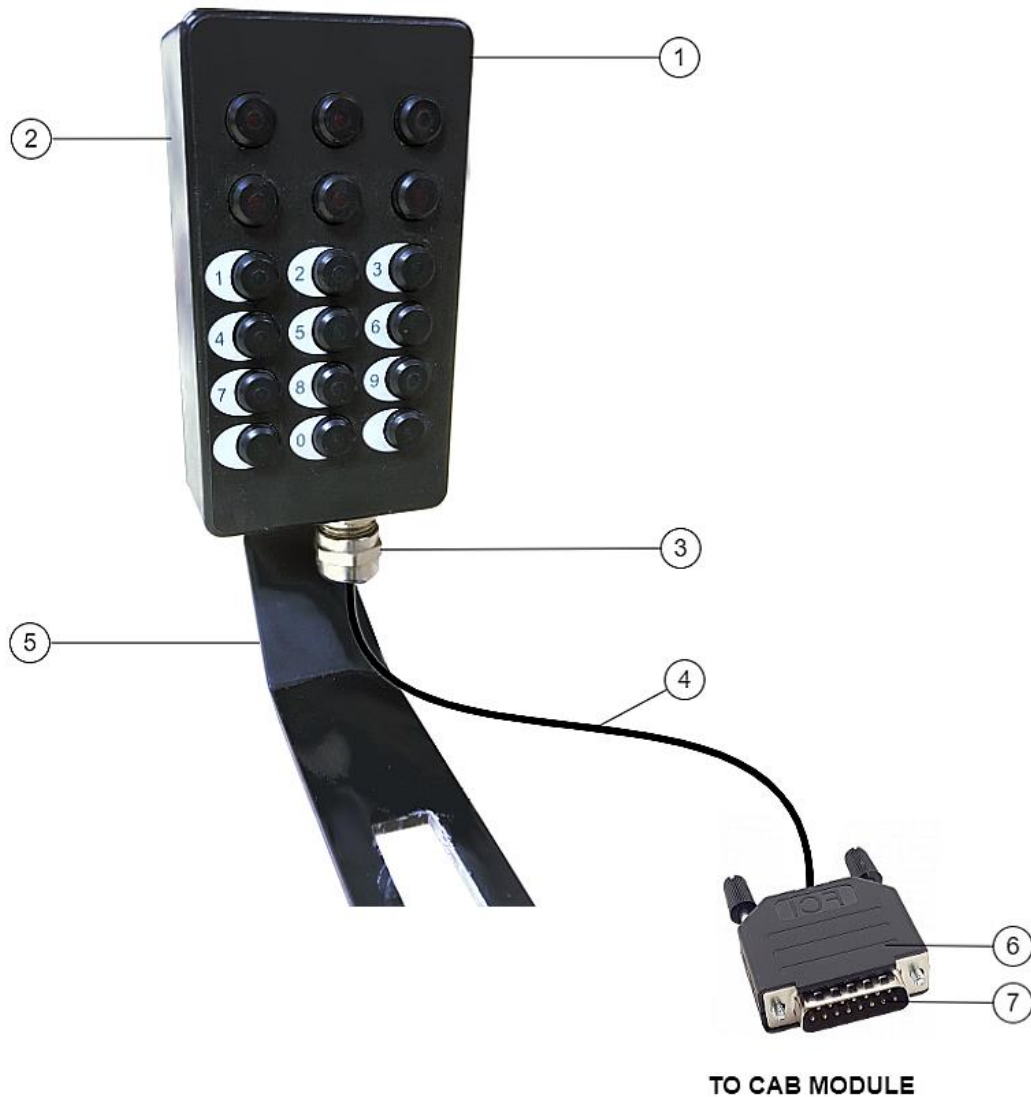
No.	Axis Part No	Qty	Description	Notes
1	HP480301	1	DANFOSS HANDLE LEFT	INCLUDES WIRING AND CONNECTOR
2	HP480401	1	DANFOSS HANDLE RIGHT	INCLUDES WIRING AND CONNECTOR
3	HP480207	2	HANDLE PART - SHELL	
4	HP480207R	1	HANDLE SHELL - PREDRILLED FOR RIGHT SIDE	
5	HP480207L	1	HANDLE SHELL - PREDRILLED FOR LEFT SIDE	
6	HP480100	1	HANDLE KIT	
7	HP480101	1	HANDLE KIT	
8	HP480206	1	TOP ROCKER	
9	HP480239	2	BACK PLATE	
10	HP480305	1	ACTIVATION BLOCK	
11	HP480504	1	SHAFT	
12	HP480204	2	SPRING	
13	HP480801	1	RETAINER	
14	HP480407	1	SPRING	
15	HP780839	4	GREEN PUSH BUTTON	
16	HP780840	2	SWITCH ON/OFF	
17	HP780841	1	POTENTIOMETER	
18	HP780842	1	SWITCH	
19	HP370201	1	HANDLE DECAL KIT	
20	HP480237	1	HANDLE STEM BASE 1/2" UNF	
21	GFB90204	2	SCREW - FITS ACTUATOR BLOCK	
22	GFB90206	2	SCREW	
23	GFB90306	4	SCREW - BUTTONHEAD	
24	GFB90312	2	SCREW - BUTTONHEAD	
25	GFB910510	2	SCREW - SOCKET SET SCREW	
26	GFB90410	2	SCREW - BUTTONHEAD	
27	GFB990408	1	SCREW - FLATHEAD	
28	GFN303	2	NUT	
29	GFN7904	2	NUT - SQUARE	
30	GFW9004	2	WAVE WASHER	
31	GFW9104	1	LOCKWASHER - CONICAL SERRATED	
32	GFW9204	1	SEAL	
33	GFW802	2	LOCKWASHER - EXTERNAL TOOTH	
34	EP455127	1	CABLE FOR DANFOSS HANDLES - FITS LH & RH	
35	EP750111	2	CONNECTOR 15 PIN - MALE	

\*All manufacturers names, numbers, marks, trademarks and symbols and descriptions are used for reference purposes only. Use of parts not supplied from the original manufacturer on machines under manufacturer warranty could potentially void your manufacturer warranty. Machined parts are built by Axis, not the original manufacturer.



**AXIS PRODUCTS MADE TO FIT LOGRITE ONLY**

⑧ SPECIES KEYPAD REPLACEMENT WIRE ASSEMBLY KIT



\*All manufacturers names, numbers, marks, trademarks and symbols and descriptions are used for reference purposes only. Use of parts not supplied from the original manufacturer on machines under manufacturer warranty could potentially void your manufacturer warranty. Machined parts are built by Axis, not the original manufacturer.

Species/Preselect Pad

No.	Axis Part No	Qty	Description	Notes
1	EP801	1	PRESELECT/SPECIES PAD	INCLUDES WIRING AND CONNECTOR
2	EP802	1	SHELL	
3	EP698710	1	GLAND	
4	EP456112	1	WIRE ASSEMBLY FOR SPECIES PAD	
5	EP801201	1	MOUNTING BRACKET	
6	EP750231	1	DB15 BACKSHELL & HOOD KIT	
7	EP750111	1	CONNECTOR 15 PIN - MALE	
8	EP456104K	1	SPECIES KEYPAD REPLACEMENT WIRE ASSEMBLY KIT	

\*All manufacturers names, numbers, marks, trademarks and symbols and descriptions are used for reference purposes only. Use of parts not supplied from the original manufacturer on machines under manufacturer warranty could potentially void your manufacturer warranty. Machined parts are built by Axis, not the original manufacturer.



Axis Product to Fit LogRite Only

**LIKE THE FEEL OF THE DANFOSS CONTROL HANDLE  
BUT IS TIME TO REPLACE IT?  
GIVE OUR BRAND A TRY!**

- HIGH QAULITY PREMIUM HANDLE
- WHEN YOU GRIP IT YOU CAN FEEL THE QUALITY DIFFERENCE
- ZERO MAINTENANCE
- INCLUDES SUDE RESTS
- READY TO RUN - UNPLUG OLD ONES AND PLUG IN NEW ONES
- USES EXISTING PRESELECT KEYPAD ON THE RIGHT HANDLE



\*All manufacturers names, numbers, marks, trademarks and symbols and descriptions are used for reference purposes only. Use of parts not supplied from the original manufacturer on machines under manufacturer warranty could potentially void your manufacturer warranty. Machined parts are built by Axis, not the original manufacturer.

Axis Control Handles

No.	Axis Part No	Qty	Description	Notes
1	HP370101	1	AXIS HANDLE LEFT	INCLUDES WIRING AND CONNECTOR
2	HP370102	1	AXIS HANDLE RIGHT	INCLUDES WIRING AND CONNECTOR
3	HP4659314	1	SWITCH - PUSH BUTTON	
4	HP480240	1	BRACKET - HAND REST	
5	HP480241	1	PADDED COVER	
6	HP4659308	4	TOP ROCKER	
7	HP4659300	1	HANDLE SHELL	
8	HP615046	2	MOUNT ADAPTER 1/2-20	
9	HP615047	2	MOUNT ADAPTER M14	
10	LP480102	1	DECAL KIT	

\*All manufacturers names, numbers, marks, trademarks and symbols and descriptions are used for reference purposes only. Use of parts not supplied from the original manufacturer on machines under manufacturer warranty could potentially void your manufacturer warranty. Machined parts are built by Axis, not the original manufacturer.



Sure Grip Control Handles

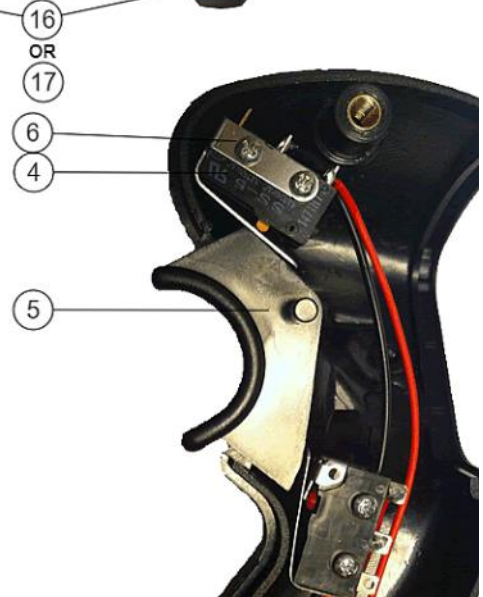


Axis Product to Fit LogRite Only



**CONVERTING FROM HANDLES DANFOSS CONTROLS TO SURE GRIP/SCORPION CONTROLS?**

- USES EXSISTING PRESELECT AS SHOWN
- READY TO RUN - UNPLUG OLD ONES AND PLUG IN NEW ONES



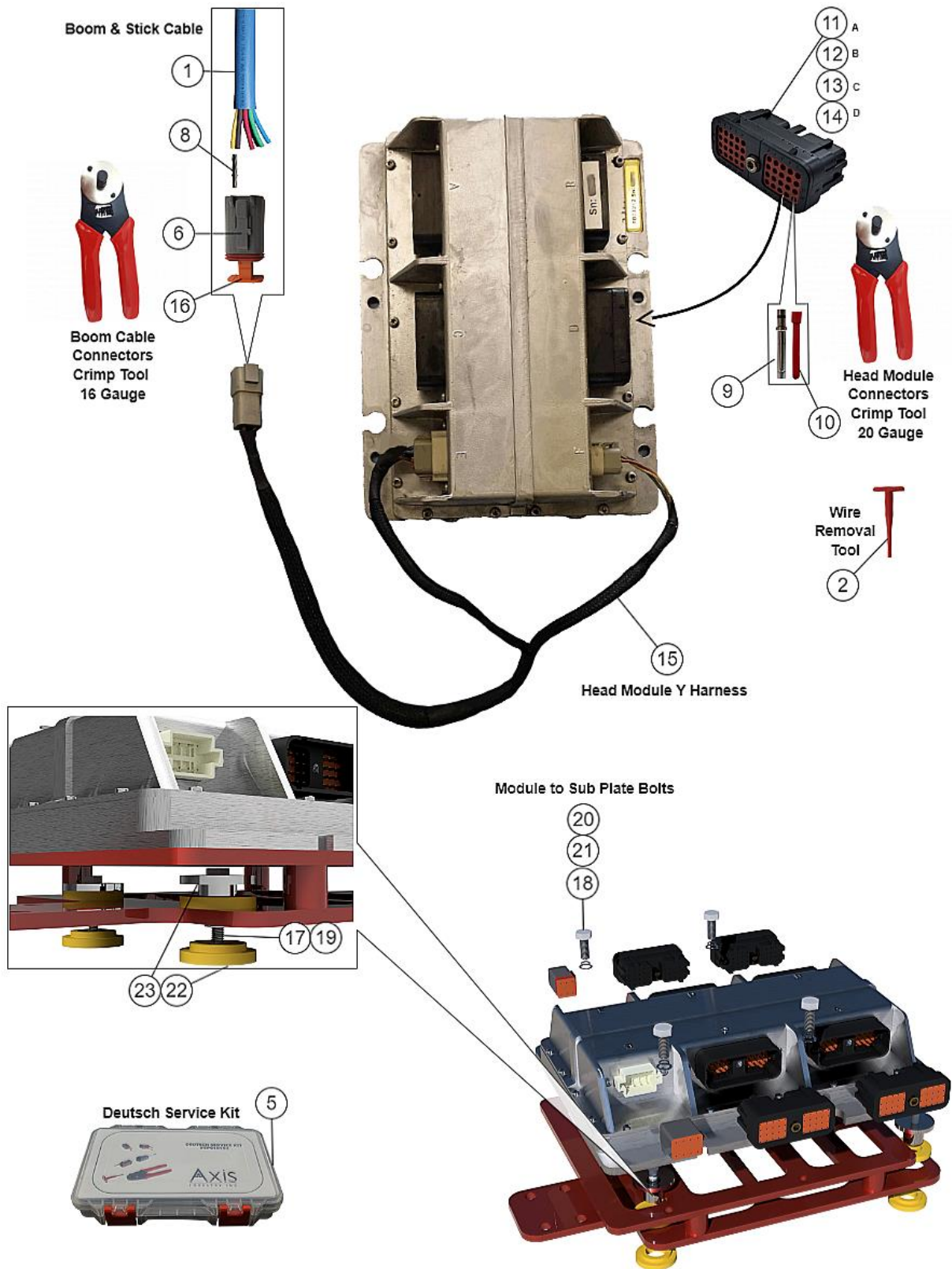
\*All manufacturers names, numbers, marks, trademarks and symbols and descriptions are used for reference purposes only. Use of parts not supplied from the original manufacturer on machines under manufacturer warranty could potentially void your manufacturer warranty. Machined parts are built by Axis, not the original manufacturer.

Sure Grip Control Handles

No.	Axis Part No	Qty	Description	Notes
1	EP801	1	PRESELECT KEYPAD	
2	HP615060	1	LEFT CONTROL HANDLE	COMPLETE WITH WIRING AND CONNECTOR
3	HP615061	1	RIGHT CONTROL HANDLE	COMPLETE WITH WIRING AND CONNECTOR
4	HP780843	10	SWITCH	
5	HP615024	1	TRIGGER	
6	HP615025	2	LEAF SPRING KIT	
7	HP615026	6	SCREW	
8	HP615022	2	OVERLAY 4 BUTTON	
9	HP615022-2	2	OVERLAY 4 BUTTON WITH SWITCHES	
10	HP615035	2	OVERLAY 6 BUTTON	
11	HP615043	2	OVERLAY 8 BUTTON	
12	HP615032	2	SWITCH BRACKET	
13	HP615027	2	REPLACEMENT SHELL LEFT SIDE	
14	HP615028	2	REPLACEMENT SHELL RIGHT SIDE	
15	HP615041	1	SPARE PARTS KIT (NOT SHOWN)	
16	HP615046	2	MOUNT ADAPTER 1/2-20	
17	HP615047	2	MOUNT ADAPTER M14	

\*All manufacturers names, numbers, marks, trademarks and symbols and descriptions are used for reference purposes only. Use of parts not supplied from the original manufacturer on machines under manufacturer warranty could potentially void your manufacturer warranty. Machined parts are built by Axis, not the original manufacturer.

Head Module — Axis Product Made to Fit TimberRite

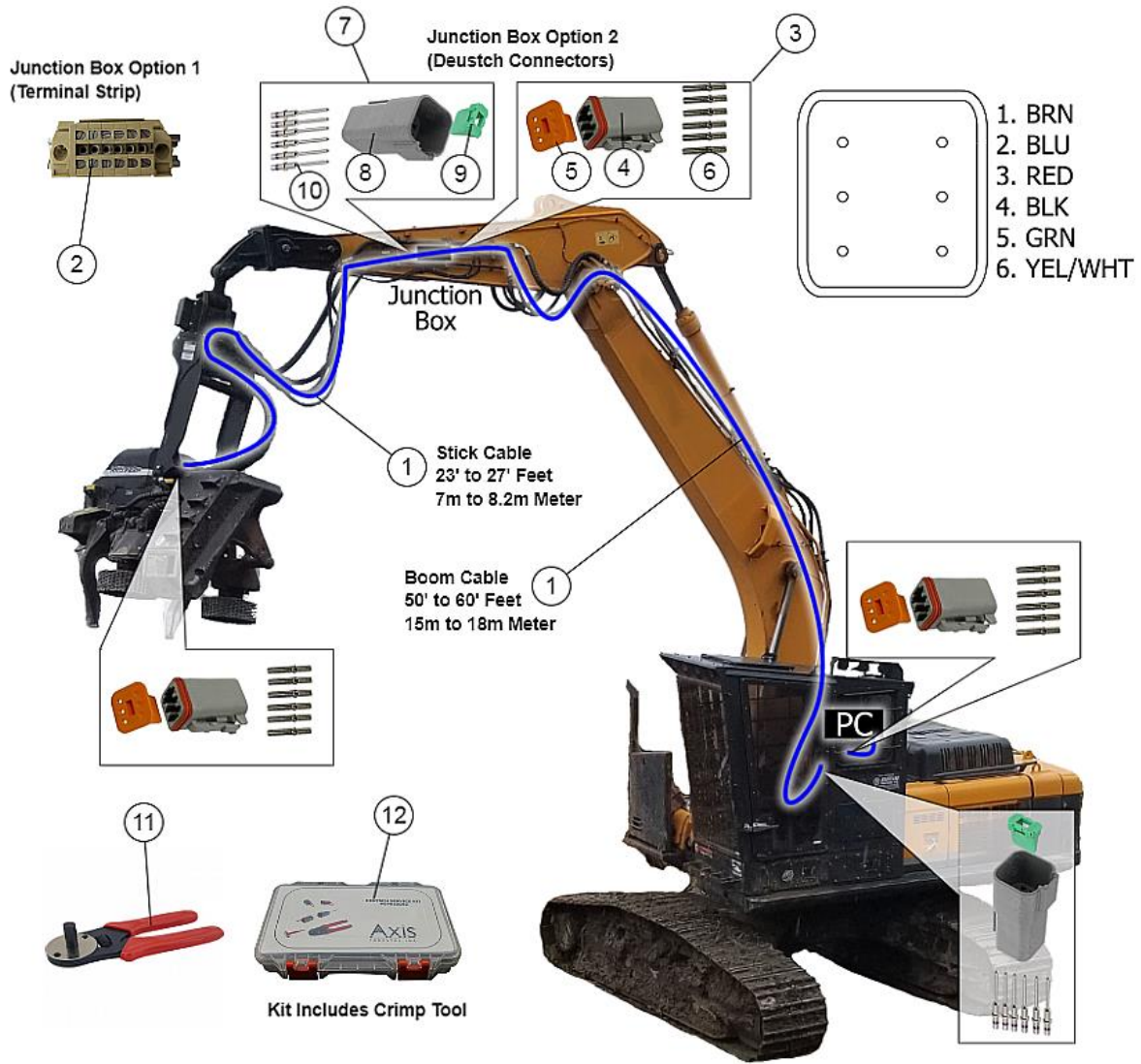


\*All manufacturers names, numbers, marks, trademarks and symbols and descriptions are used for reference purposes only. Use of parts not supplied from the original manufacturer on machines under manufacturer warranty could potentially void your manufacturer warranty. Machined parts are built by Axis, not the original manufacturer.

Head Module — Axis Product Made to Fit TimberRite

No.	Axis Part No	Qty	Description	Notes
1	EP456111	83	WIRE - 6 STRAND BOOM CABLE	SOLD PER FOOT
2	EP905005	1	DEUTSCH PULLER	
3	EP910150	1	DEUTSCH CRIMP TOOL 16 GAUGE	
4	EP910151	1	DEUTSCH CRIMP TOOL 20 GAUGE	
5	EP910152	1	DEUTSCH SERVICE KIT	
6	EP910176	1	DEUTSCH PLUG 6 WIRE	
7	EP910178	1	DEUTSCH PLUG 8 WIRE	
8	EP910210	6	DEUTSCH SOCKET TERMINAL #16	
9	EP910220	1	DEUTSCH SOCKET TERMINAL #20	AS REQUIRED
10	EP910320	1	DEUTSCH #20 PLUG	AS REQUIRED
11	EP910326A	1	DEUTSCH PLUG "A KEY"	
12	EP910326B	1	DEUTSCH PLUG "B KEY"	
13	EP910326C	1	DEUTSCH PLUG "C KEY"	
14	EP910326D	1	DEUTSCH PLUG "D KEY"	
15	EP910504	1	WIRING HARNESS CONNECTORS	
16	EP920601	1	WEDGE LOCK FO 6 WIRE PLUG	
17	GFB70640	4	BOLT - M6 X 40MM HEX HEAD	
18	GFB70820	4	BOLT - M8 X 20MM	
19	GFW1250	4	WASHER - 1/4" HARDENED	
20	GFW1312	4	HARDENED WASHER - 5/16".	
21	GFW5312	4	ANTI-VIBRATION LOCKWASHER - 5/16"	
22	MR561708	8	BUSHING	
23	MR561709	4	STEEL SPACER BUSHING	

\*All manufacturers names, numbers, marks, trademarks and symbols and descriptions are used for reference purposes only. Use of parts not supplied from the original manufacturer on machines under manufacturer warranty could potentially void your manufacturer warranty. Machined parts are built by Axis, not the original manufacturer.



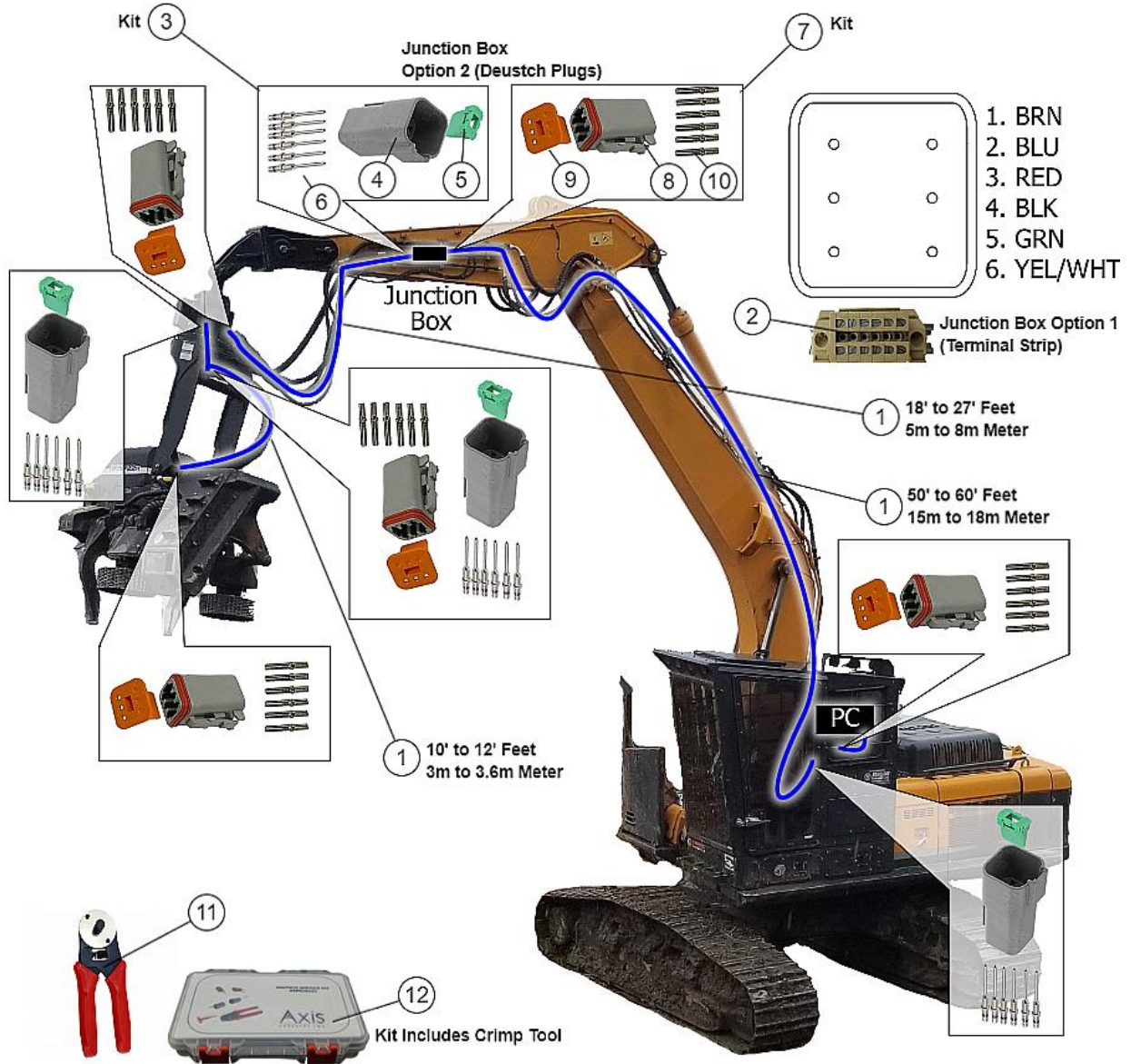
\*All manufacturers names, numbers, marks, trademarks and symbols and descriptions are used for reference purposes only. Use of parts not supplied from the original manufacturer on machines under manufacturer warranty could potentially void your manufacturer warranty. Machined parts are built by Axis, not the original manufacturer.

270° Rotation Heads - Boom Wiring, Axis Product Made to Fit TimberRite

No.	Axis Part No	Qty	Description	Notes
1	EP456111	82	WIRE - 6 STRAND BOOM CABLE	SOLD PER FOOT
2	EP684013	1	JUNCTION BOX	
3	EP910166	4	DEUTSCH PLUG 6 WIRE WITH WEDGE LOCK	
4	EP910176	4	DEUTSCH PLUG 6 WIRE	
5	EP920601	4	WEDGE LOCK FOR 6 WIRE PLUG	
6	EP910210	24	DEUTSCH SOCKET TERMINAL #16	
7	EP910146	3	DEUTSCH RECEPTACLE 6 PIN WITH WEDGE LOCK	
8	EP910156	3	DEUTSCH CONNECTOR 6 PIN WITH WEDGE LOCK	
9	EP920602	3	WEDGE LOCK FOR 6 WIRE RECEPTACLE	
10	EP910211	18	DEUTSCH PIN TERMINAL #16	
11	EP910150	1	DEUTSCH CRIMP TOOL 16 GAUGE	
12	EP910152	1	DEUTSCH SERVICE KIT	

\*All manufacturers names, numbers, marks, trademarks and symbols and descriptions are used for reference purposes only. Use of parts not supplied from the original manufacturer on machines under manufacturer warranty could potentially void your manufacturer warranty. Machined parts are built by Axis, not the original manufacturer.





\*All manufacturers names, numbers, marks, trademarks and symbols and descriptions are used for reference purposes only. Use of parts not supplied from the original manufacturer on machines under manufacturer warranty could potentially void your manufacturer warranty. Machined parts are built by Axis, not the original manufacturer.

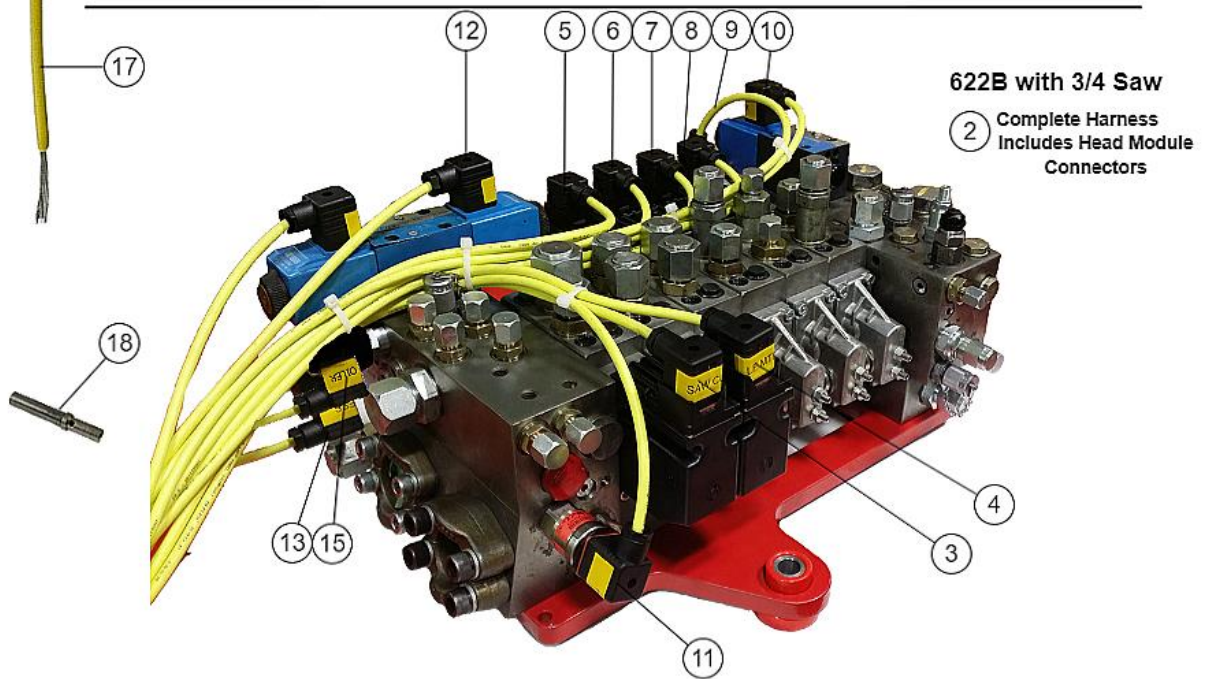
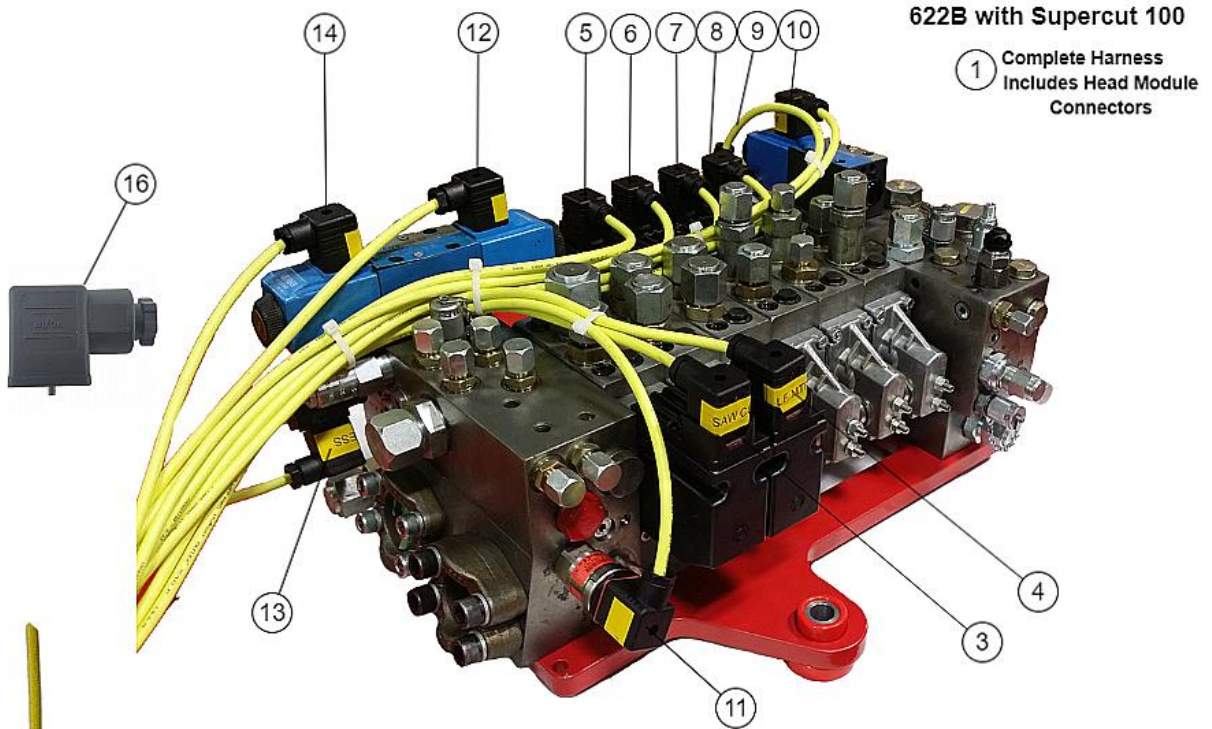


360° Rotation Heads - Boom Wiring, Axis Product Made to Fit TimberRite

No.	Axis Part No	Qty	Description	Notes
1	EP456111	82	WIRE - 6 STRAND BOOM CABLE	SOLD PER FOOT
2	EP684013	1	JUNCTION BOX	
3	EP910146	3	DEUTSCH RECEPTACLE 6 PIN WITH WEDGE LOCK	
4	EP910156	3	DEUTSCH CONNECTOR 6 PIN WITH WEDGE LOCK	
5	EP920602	3	WEDGE LOCK FOR 6 WIRE RECEPTACLE	
6	EP910211	18	DEUTSCH PIN TERMINAL #16	
7	EP910166	4	DEUTSCH PLUG 6 WIRE WITH WEDGE LOCK	
8	EP910176	4	DEUTSCH PLUG 6 WIRE	
9	EP920601	4	WEDGE LOCK FOR 6 WIRE PLUG	
10	EP910210	24	DEUTSCH SOCKET TERMINAL #16	
11	EP910150	1	DEUTSCH CRIMP TOOL 16 GAUGE	
12	EP910152	1	DEUTSCH SERVICE KIT	

\*All manufacturers names, numbers, marks, trademarks and symbols and descriptions are used for reference purposes only. Use of parts not supplied from the original manufacturer on machines under manufacturer warranty could potentially void your manufacturer warranty. Machined parts are built by Axis, not the original manufacturer.

Axis Wiring Harness, Axis Product Made to Fit TimberRite



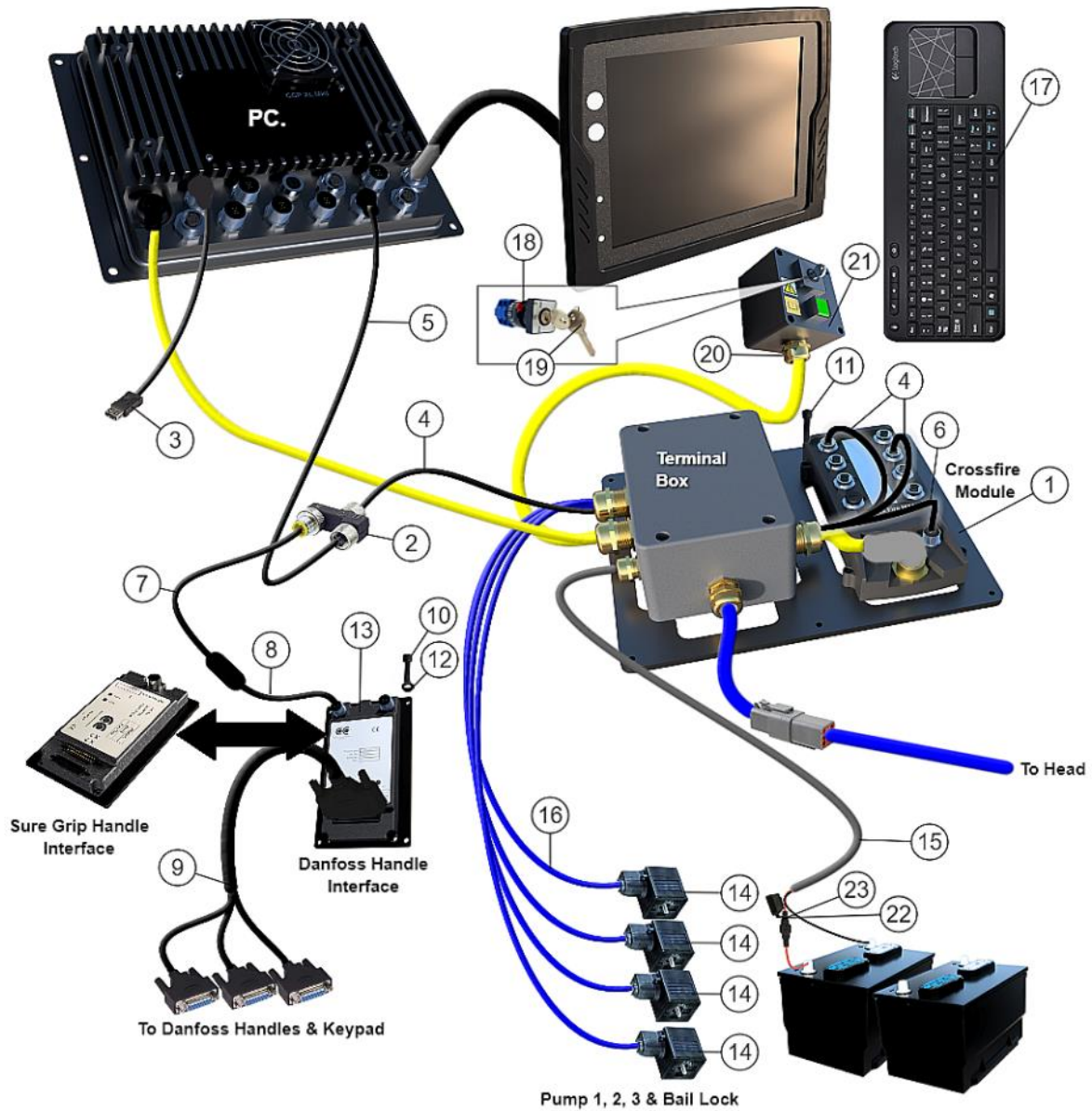
\*All manufacturers names, numbers, marks, trademarks and symbols and descriptions are used for reference purposes only. Use of parts not supplied from the original manufacturer on machines under manufacturer warranty could potentially void your manufacturer warranty. Machined parts are built by Axis, not the original manufacturer.

Axis Wiring Harness, Axis Product Made to Fit TimberRite

No.	Axis Part No	Qty	Description	Notes
1	EP760622CA	1	CABLE HARNESS - COMPLETE	
2	EP760622CA34	1	CABLE HARNESS - COMPLETE	
3	EP760622-E	1	CABLE HARNESS - SAWS CUT	
4	EP760622-A	1	CABLE HARNESS - LEFT MOTOR	
5	EP760622-B	1	CABLE HARNESS - RIGHT MOTOR	
6	EP760622-H	1	CABLE HARNESS - DRIVE ARM	
7	EP760622-D	1	CABLE HARNESS - TILT	
8	EP760622-J	1	CABLE HARNESS - DELIMB	
9	EP760622-K	1	CABLE HARNESS - HYDRAULIC LOAD SENSE PRESSURE	
10	EP760622-C	1	CABLE HARNESS - MEASURING ARM RETURN	
11	EP760622-L	1	CABLE HARNESS - HYDRAULIC MAIN PRESSURE SENSOR	
12	EP760622-F	1	CABLE HARNESS - SAW CYL OUT	
13	EP760622-G	1	CABLE HARNESS - SAW PRESSURE	
14	EP760622-I	1	CABLE HARNESS - SAWS RETURN	
15	EP750622-M	1	CABLE HARNESS - 3/4 SAW OILER	
16	EP455100	1	CONNECTOR	
17	EP456126	1	CABLE - 3 CONDUCTOR BLUE JACKET	SOLD PER FOOT
18	EP910220	1	DUESTCH SOCKET TERMINAL #20	CRIMP PIN FOR HEAD MODULE END OF WIRE

\*All manufacturers names, numbers, marks, trademarks and symbols and descriptions are used for reference purposes only. Use of parts not supplied from the original manufacturer on machines under manufacturer warranty could potentially void your manufacturer warranty. Machined parts are built by Axis, not the original manufacturer.

Cab Components - Axis Product Made To Fit TimberRite



\*All manufacturers names, numbers, marks, trademarks and symbols and descriptions are used for reference purposes only. Use of parts not supplied from the original manufacturer on machines under manufacturer warranty could potentially void your manufacturer warranty. Machined parts are built by Axis, not the original manufacturer.

## Cab Components - Axis Product Made To Fit TimberRite

No.	Axis Part No	Qty	Description	Notes
1	EP100213	1	CROSSFIRE & TERMINAL BOX MOUNT PLATE	
2	EP860007	1	CANBUS TEE CONNECTOR	
3	EP860051	1	USB CABLE TO PC	
4	EP860053	1	WIRE LEAD	
5	EP860054	1	CABLE - CANBUS TO TEE	
6	EP860055	1	CABLE - CROSSFIRE CANBUS TO TERMINAL BOX	
7	EP860056	1	CABLE - CANBUS TEE TO JOYSTICK INTERFACE	
8	EP750057	1	CANBUS CABLE - DANFOSS GRIP INTERFACE	
9	EP860060	1	CABLE ASSEMBLY - DANFOSS JOYSTICK INTERFACE TO JOYSTICK & KEYPAD PLUGS	
10	GFB80405	4	BOLT S/CAP - M4 X 5MM	
11	GFB80416	4	BOLT M4 X 16MM SOCKET HEAD	
12	GFW9004	4	WAVE WASHER 4MM	
13	EP806203	1	JOYSTICK INTERFACE MOUNT	
14	EP455100	4	DIN CONNECTOR	
15	EP456113	4	BATTERY CABLE	
16	EP456126	1	CABLE - 2 CONDUCTOR BLUE JACKET	SOLD PER FOOT
17	EP624708	1	CORDLESS KEYBOARD	
18	EP683001	1	KEY SWITCH	
19	EP683002	1	REPLACEMENT KEY	
20	EP698740	1	GLAND	
21	EP687000	1	KEY SWITCH ASSEMBLY	
22	EP990001	1	INLINE FUSE HOLDER	
23	EP990002	1	FUSE	

\*All manufacturers names, numbers, marks, trademarks and symbols and descriptions are used for reference purposes only. Use of parts not supplied from the original manufacturer on machines under manufacturer warranty could potentially void your manufacturer warranty. Machined parts are built by Axis, not the original manufacturer.

Terminal Box - Axis Product Made to Fit TimberRite



\*All manufacturers names, numbers, marks, trademarks and symbols and descriptions are used for reference purposes only. Use of parts not supplied from the original manufacturer on machines under manufacturer warranty could potentially void your manufacturer warranty. Machined parts are built by Axis, not the original manufacturer.



Terminal Box - Axis Product Made To Fit TimberRite

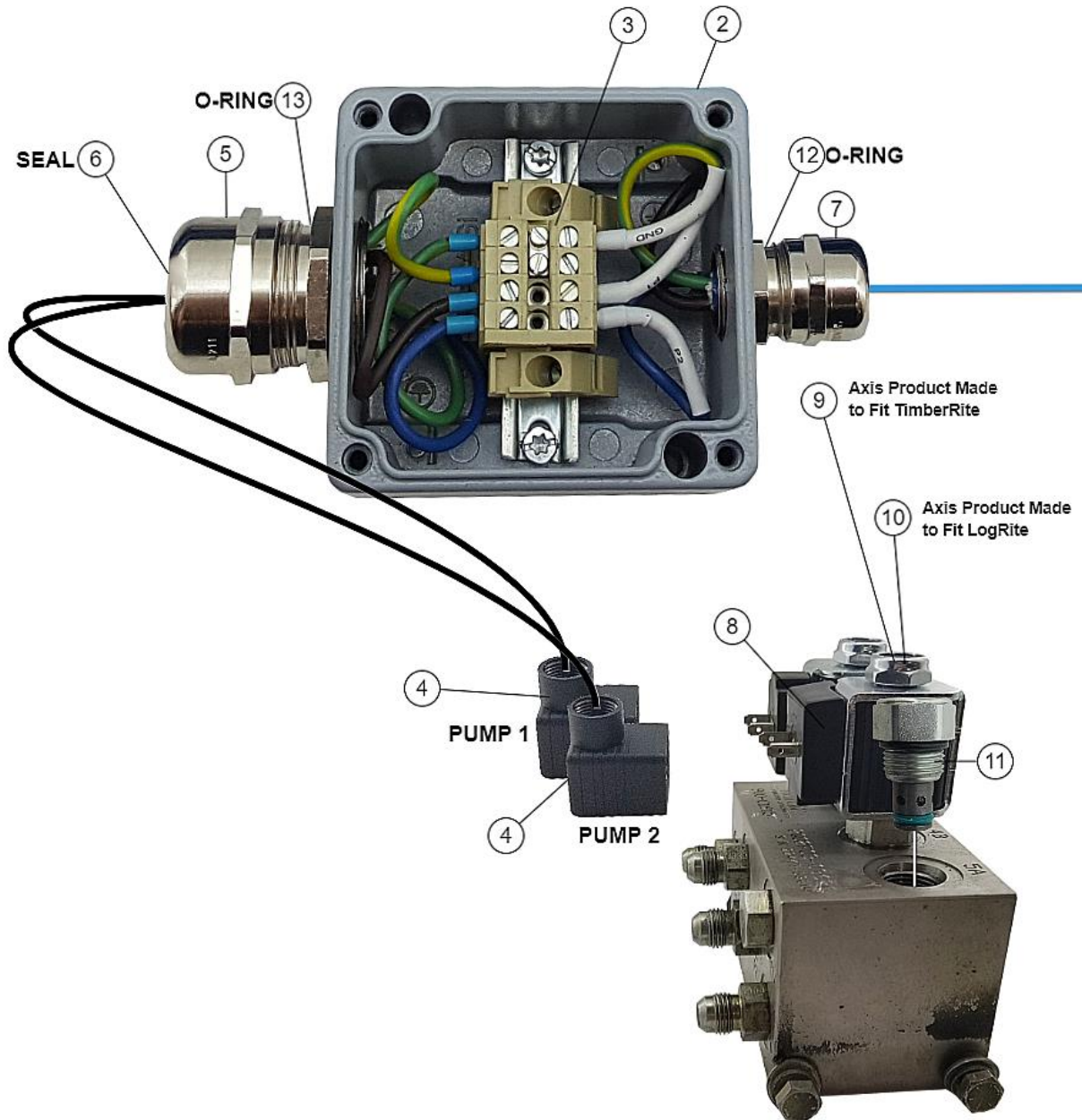
No.	Axis Part No	Qty	Description	Notes
1	EP900201	1	TERMINAL BOX COMPLETE WITH TERMINALS & WIRING	
2	EP689001	1	DECAL	
3	EP689002	1	TERMINAL BLOCK	
4	EP689003	1	END & INTERMEDIATE PLATE ORANGE	
5	EP689004	1	END STOP 10MM	
6	EP689005	1	END STOP 6MM	
7	EP689006	1	TERMINAL BLOCK	
8	EP689007	5	INTERMEDIATE PLATE ORANGE	
9	EP689009	3	RELAY BASE	
10	EP689010	3	RELAY	
11	EP689011	1	MOUNTING RAIL	
12	EP689012	1	ENCLOSURE	
13	EP900208	4	JUMPER	
14	EP698750	1	GLAND	
15	EP698280	1	INSERT 2 HOLE	
16	EP698460	1	INSERT 4 HOLE	
17	EP698740	1	GLAND	
18	EP698720	1	GLAND	
19	GFB90510	1	BOLT - M5 X 10MM BUTTONHEAD	
20	GFW105	1	WASHER - 5MM FLAT	
21	GFW605	1	WASHER - 5MM INTERNAL STAR	

\*All manufacturers names, numbers, marks, trademarks and symbols and descriptions are used for reference purposes only. Use of parts not supplied from the original manufacturer on machines under manufacturer warranty could potentially void your manufacturer warranty. Machined parts are built by Axis, not the original manufacturer.



Pump Solenoids & Wiring

① COMPLETE ASSEMBLY WITH WIRING & CONNECTORS



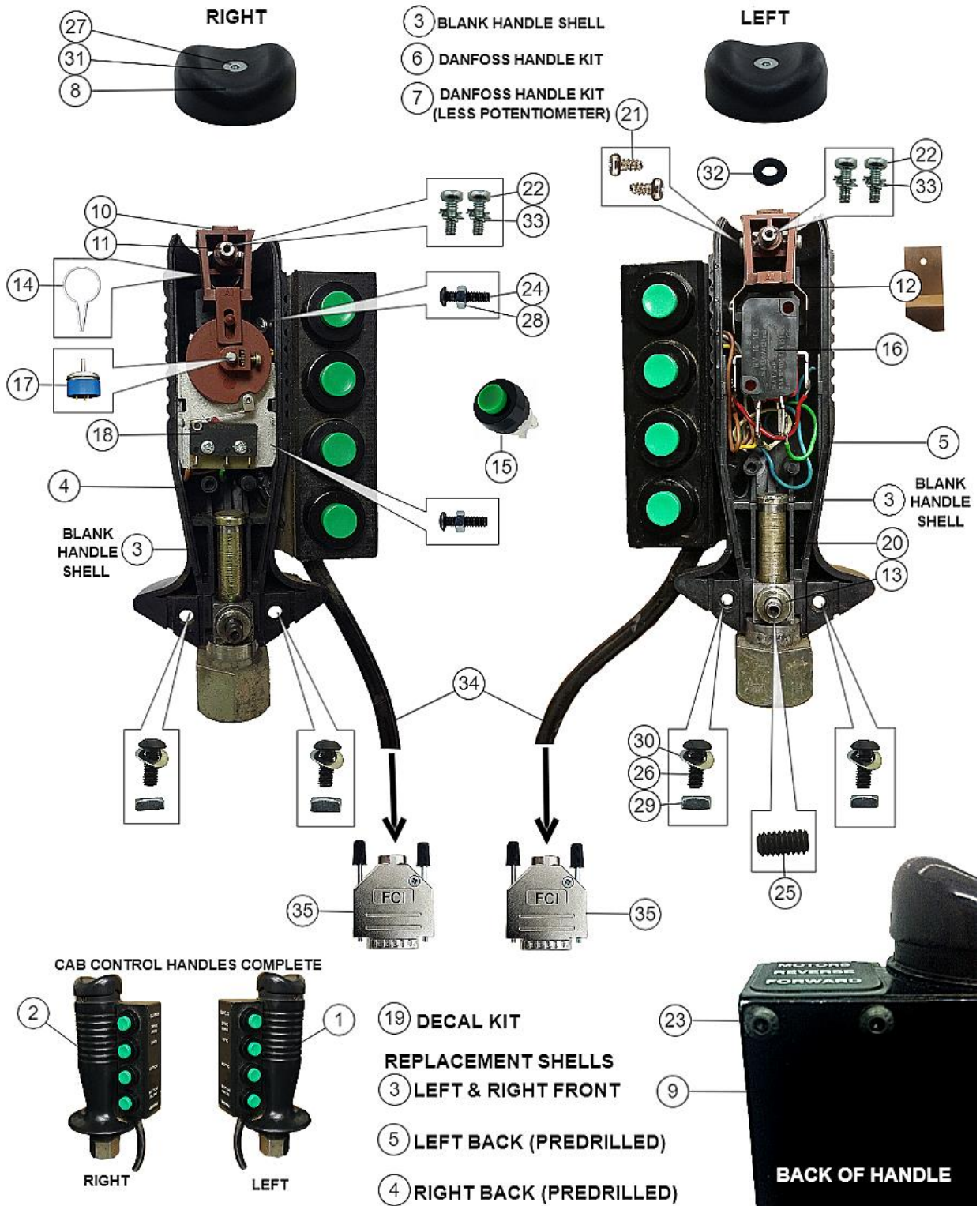
\*All manufacturers names, numbers, marks, trademarks and symbols and descriptions are used for reference purposes only. Use of parts not supplied from the original manufacturer on machines under manufacturer warranty could potentially void your manufacturer warranty. Machined parts are built by Axis, not the original manufacturer.

Pump Solenoids & Wiring

No.	Axis Part No	Qty	Description	Notes	
1	EP684012	1	PUMP 1 & 2 SOLENOIDS BOX ASSEMBLY	COMPLETE ASSEMBLY	
2	EP684011	1	PUMP SOLENOID BOX		
3	EP684005	1	PUMP SOLENOID TERMINAL ASSEMBLY		
4	EP455100	2	CONNECTOR		
5	EP698750	1	GLAND		
6	EP698460	1	INSERT - 4 HOLE		
7	EP698720	1	GLAND		
8	HV350024	2	COIL		
9	HV350882	2	PUMPS 1 & 2 SOLENOID VALVE		AXIS PRODUCT MADE TO FIT TIMBERRITE
10	HV350883	2	PUMPS 1 & 2 SOLENOID VALVE		AXIS PRODUCT MADE TO FIT LOGRITE
11	HV350884	1	CHECK VALVE		
12	T282395V	1	O-RING		
13	T330377V	1	O-RING		

\*All manufacturers names, numbers, marks, trademarks and symbols and descriptions are used for reference purposes only. Use of parts not supplied from the original manufacturer on machines under manufacturer warranty could potentially void your manufacturer warranty. Machined parts are built by Axis, not the original manufacturer.

Danfoss Control Handles



\*All manufacturers names, numbers, marks, trademarks and symbols and descriptions are used for reference purposes only. Use of parts not supplied from the original manufacturer on machines under manufacturer warranty could potentially void your manufacturer warranty. Machined parts are built by Axis, not the original manufacturer.

## Danfoss Control Handles

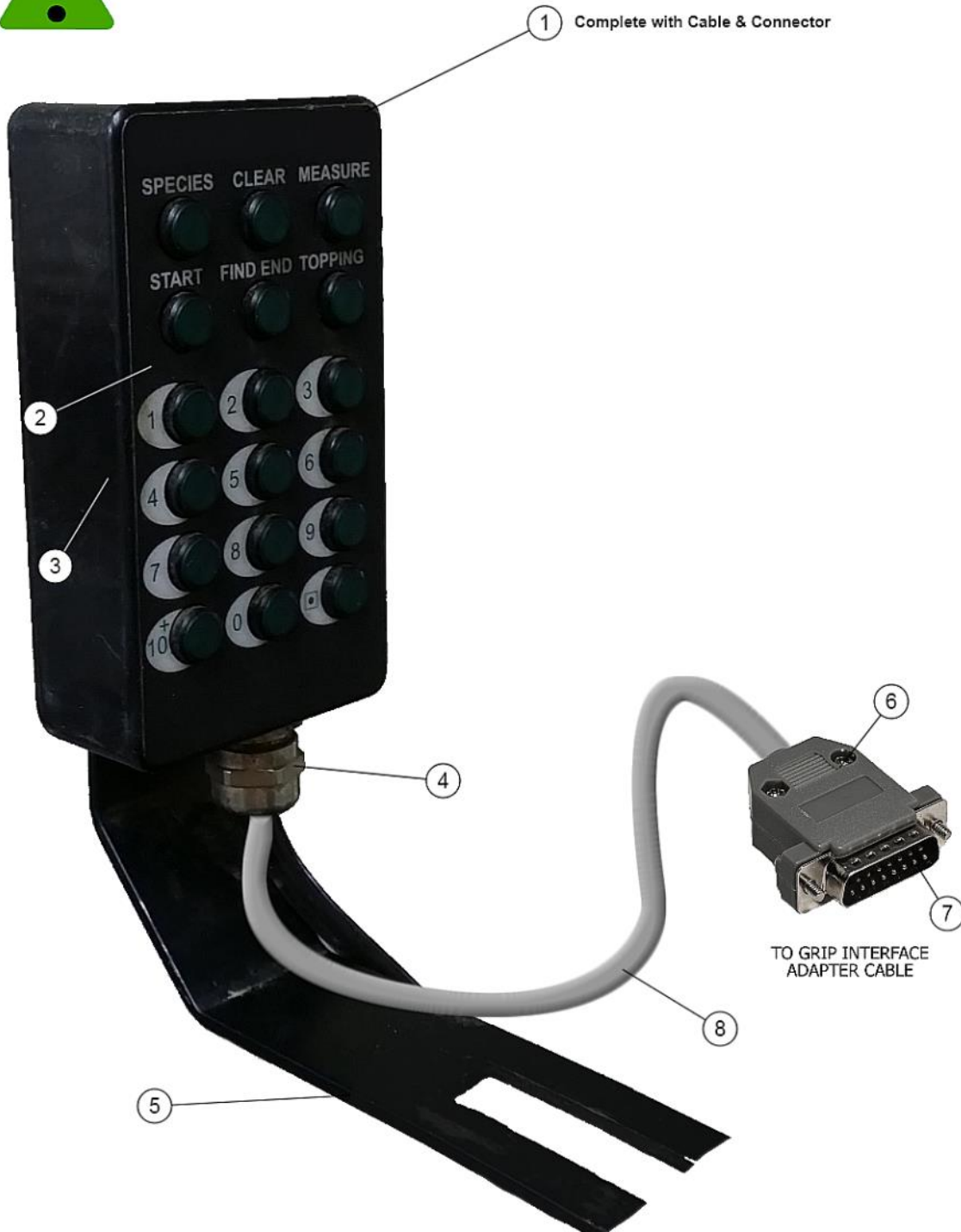
No.	Axis Part No	Qty	Description	Notes
1	HP480301	1	DANFOSS HANDLE LEFT	INCLUDES WIRING AND CONNECTOR
2	HP480401	1	DANFOSS HANDLE RIGHT	INCLUDES WIRING AND CONNECTOR
3	HP480207	2	HANDLE PART - SHELL	
4	HP480207R	1	HANDLE SHELL - PREDRILLED FOR RIGHT SIDE	
5	HP480207L	1	HANDLE SHELL - PREDRILLED FOR LEFT SIDE	
6	HP480100	1	HANDLE KIT	
7	HP480101	1	HANDLE KIT	
8	HP480206	1	TOP ROCKER	
9	HP480239	2	BACK PLATE	
10	HP480305	1	ACTIVATION BLOCK	
11	HP480504	1	SHAFT	
12	HP480204	2	SPRING	
13	HP480801	1	RETAINER	
14	HP480407	1	SPRING	
15	HP780839	4	GREEN PUSH BUTTON	
16	HP780840	2	SWITCH ON/OFF	
17	HP780841	1	POTENTIOMETER	
18	HP780842	1	SWITCH	
19	HP370201	1	HANDLE DECAL KIT	
20	HP480237	1	HANDLE STEM BASE 1/2" UNF	
21	GFB90204	2	SCREW - FITS ACTUATOR BLOCK	
22	GFB90206	2	SCREW	
23	GFB90306	4	SCREW - BUTTONHEAD	
24	GFB90312	2	SCREW - BUTTONHEAD	
25	GFB910510	2	SCREW - SOCKET SET SCREW	
26	GFB90410	2	SCREW - BUTTONHEAD	
27	GFB990408	1	SCREW - FLATHEAD	
28	GFN303	2	NUT	
29	GFN7904	2	NUT - SQUARE	
30	GFW9004	2	WAVE WASHER	
31	GFW9104	1	LOCKWASHER - CONICAL SERRATED	
32	GFW9204	1	SEAL	
33	GFW802	2	LOCKWASHER - EXTERNAL TOOTH	
34	EP455127	1	CABLE FOR DANFOSS HANDLES - FITS LH & RH	
35	EP750111	2	CONNECTOR 15 PIN - MALE	

\*All manufacturers names, numbers, marks, trademarks and symbols and descriptions are used for reference purposes only.  
Use of parts not supplied from the original manufacturer on machines under manufacturer warranty could potentially void your  
manufacturer warranty. Machined parts are built by Axis, not the original manufacturer.

### Danfoss Species/Preselect Keypad



**Axis Product Made to Fit TimberRite only**



\*All manufacturers names, numbers, marks, trademarks and symbols and descriptions are used for reference purposes only. Use of parts not supplied from the original manufacturer on machines under manufacturer warranty could potentially void your manufacturer warranty. Machined parts are built by Axis, not the original manufacturer.

Danfoss Species/Preselect Keypad

No.	Axis Part No	Qty	Description	Notes
1	EP808	1	KEYPAD ASSEMBLY COMPLETE	INCLUDES WIRING AND CONNECTOR        REQUIRES 12 FEET/3.65 Meters
2	EP802-1	1	OVERLAY DECAL	
3	EP802	1	REPLACEMENT BOX PREDRILLED	
4	EP698710	1	CABLE GLAND	
5	EP801201	1	BRACKET	
6	EP750231	1	BACKSHELL COVER	
7	EP750111	1	CONNECTOR	
8	EP456125	2	CABLE	

\*All manufacturers names, numbers, marks, trademarks and symbols and descriptions are used for reference purposes only. Use of parts not supplied from the original manufacturer on machines under manufacturer warranty could potentially void your manufacturer warranty. Machined parts are built by Axis, not the original manufacturer.



Sure Grip Control Handles



Axis Product to Fit TimberRite Only

11 HANDLE SPARE PARTS KIT



\*All manufacturers names, numbers, marks, trademarks and symbols and descriptions are used for reference purposes only. Use of parts not supplied from the original manufacturer on machines under manufacturer warranty could potentially void your manufacturer warranty. Machined parts are built by Axis, not the original manufacturer.

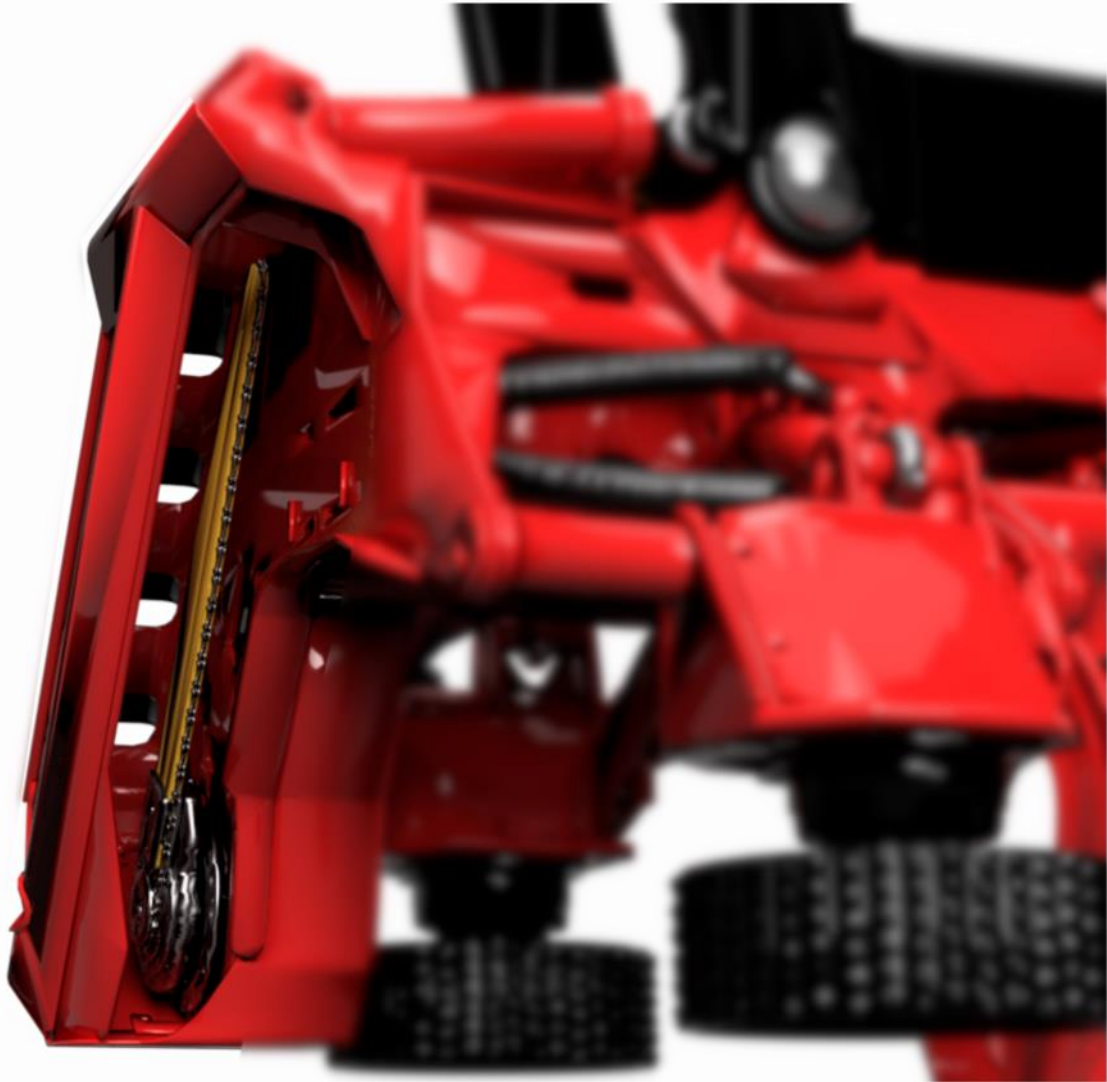


Sure Grip Control Handles

No.	Axis Part No	Qty	Description	Notes
1	HP618020	1	LEFT HANDLE COMPLETE	INCLUDES WIRING AND CONNECTOR
2	HP618021	1	RIGHT HANDLE COMPLETE	INCLUDES WIRING AND CONNECTOR
3	HP780843	1	SWITCH	
4	HP615024	1	REPLACEMENT DUAL TRIGGER	
5	HP615025	1	KIT - LEAF SPRING	
6	HP615026	1	SCREW	
7	HP615043	1	OVERLAY & BUTTON	
8	HP615032	1	BACKING PLATE	
9	HP615027	1	HANDLE SHELL - LEFT	
10	HP615028	1	HANDLE SHELL - RIGHT	
11	HP615041	1	HANDLE SPARE PARTS KIT	
12	HP615046	2	MOUNT ADAPTER 1/2-20	
13	HP615047	2	MOUNT ADAPTER M14	

\*All manufacturers names, numbers, marks, trademarks and symbols and descriptions are used for reference purposes only. Use of parts not supplied from the original manufacturer on machines under manufacturer warranty could potentially void your manufacturer warranty. Machined parts are built by Axis, not the original manufacturer.

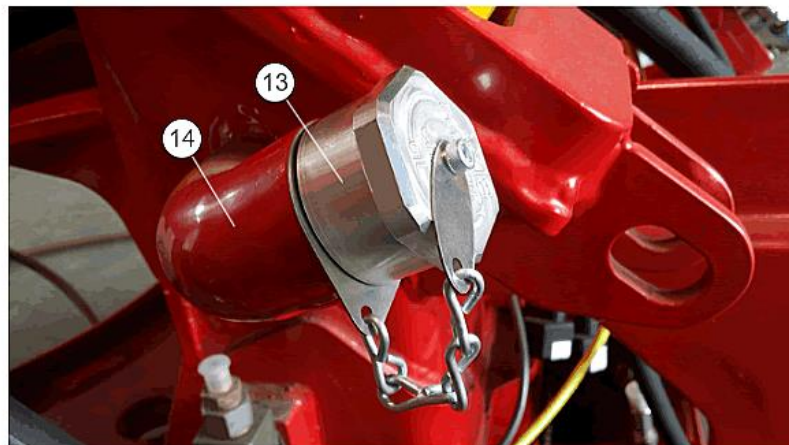




**SAWS GROUP**

Axis Oil Cap, Bar and Chain

.080 GAUGE CHAIN BULK 100'



\*All manufacturers names, numbers, marks, trademarks and symbols and descriptions are used for reference purposes only. Use of parts not supplied from the original manufacturer on machines under manufacturer warranty could potentially void your manufacturer warranty. Machined parts are built by Axis, not the original manufacturer.

Axis Oil Cap, Bar and Chain

No.	Axis Part No	Qty	Description	Notes
1	ORE18HX074E	1	SAW CHAIN - .404 - 74 DRIVER	
2	ORE642SMRQ114	1	64CM SPEEDMAX BAR - TOP SAW	
3	ORE18HX094E	1	SAW CHAIN - .404 - 94 DRIVER	
4	ORE822SMRQ149	1	SPEEDMAX XL 14T - .404 BAR 82 CM	
5	ORESMT14T	1	NOSE KIT - SPEEDMAX RSN	
6	ORE822HSFB149	1	SAW BAR 82cm JETFIT	
7	ORE18HX101E	1	SAW CHAIN - .404 101 DRIVER	
8	ORE902HSFL149	1	JET FIT BAR	
9	ORE40603A	1	3/4" BAR TIP	
10	ORE11H050E	1	SAW CHAIN - 3/4" 50 DRIVER	
11	ORE311SNCT219	1	3/4 SAW BAR - 31"	
12	ORE18HX100R	1	ROLL OF SAW CHAIN - .404 100'	
13	GC100100	1	OIL FILL CAP	
14	MK189141	1	OIL TANK SPOUT	

\*All manufacturers names, numbers, marks, trademarks and symbols and descriptions are used for reference purposes only. Use of parts not supplied from the original manufacturer on machines under manufacturer warranty could potentially void your manufacturer warranty. Machined parts are built by Axis, not the original manufacturer.



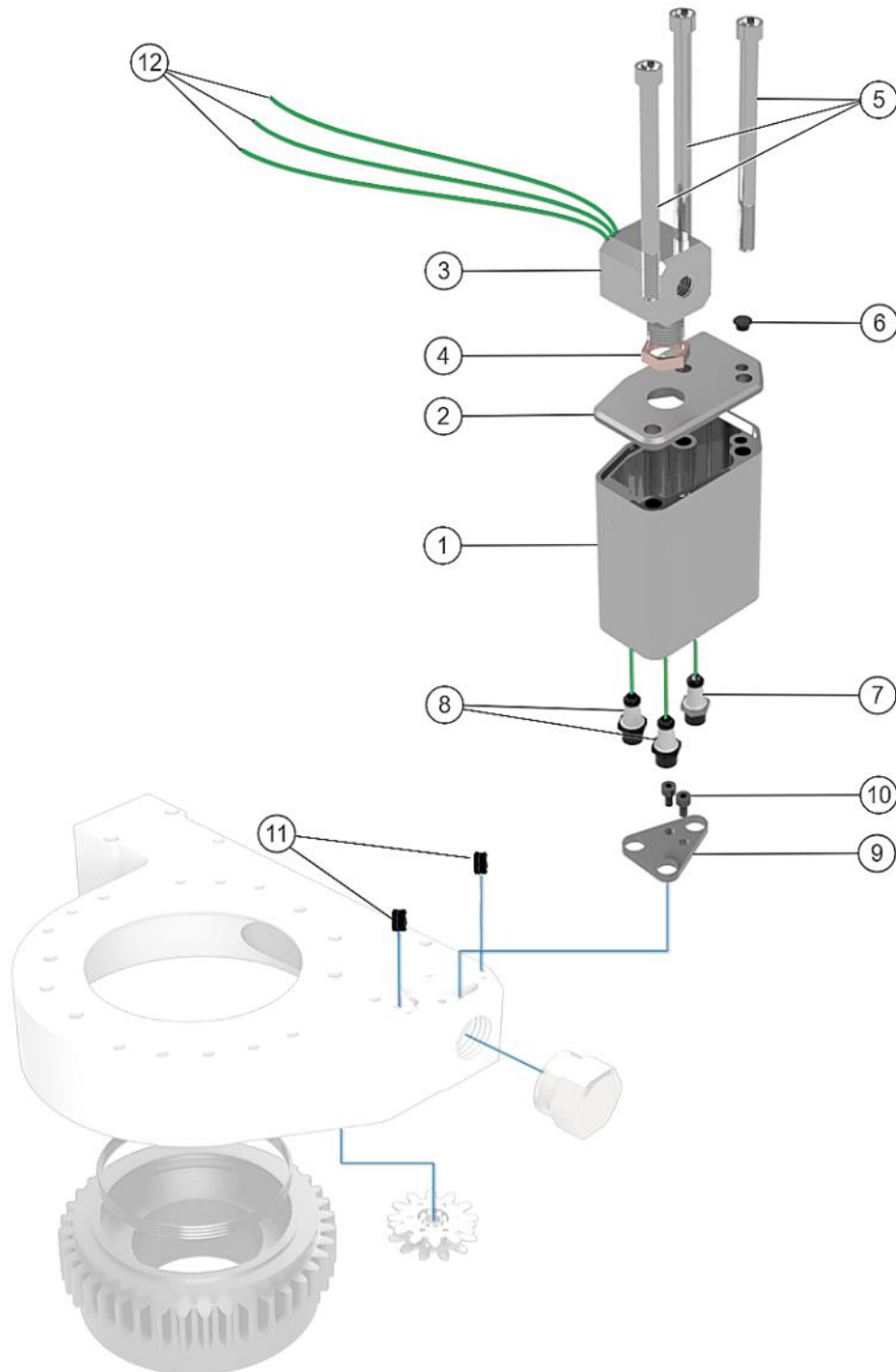


Axis Supercut 100 Main Saw

No.	Axis Part No	Qty	Description	Notes
1	MS345243	1	SUPERCUT 100 MOUNTING PLATE	
2	MS345205	1	SC100 HOUSING	
3	MS345150	1	BEARING - SC100	
4	MS345195	1	WASHER	
5	MS345194	1	PLATE	
6	MS345295	1	PLUG	
7	MS345013	2	SPRING PIN	
8	MS345040	2	SPRING PIN	
9	MS345176	1	SAW LIMIT SENSOR WHEEL	
10	SK345103	1	SEAL KIT SC100 SWIVEL	
11	GFB80608	9	BOLT - M6 X 8MM SOCKET HEAD	
12	GFB80615	1	BOLT - 6MM X16MM SOCKET HEAD	
13	GFB81055	2	BOLT - M10 X 55MM, SOCKET HEAD	
14	GFB81030	9	BOLT - M10 X 30MM SOCKET HEAD	
15	GFB1437125	5	BOLT - 7/16 X 1.25" UNC HEX	
16	GFB80816	8	BOLT - 8 X 16MM SOCKET HEAD	
17	GFW5375	11	ANTI-VIBRATION LOCKWASHER 3/8"	
18	GFW5437	5	ANTI-VIBRATION LOCKWASHER 7/16"	
19	GFZ6	1	GREASE FITTING	

\*All manufacturers names, numbers, marks, trademarks and symbols and descriptions are used for reference purposes only. Use of parts not supplied from the original manufacturer on machines under manufacturer warranty could potentially void your manufacturer warranty. Machined parts are built by Axis, not the original manufacturer.

### Axis Supercut 100 Main Saw Sensor Cover



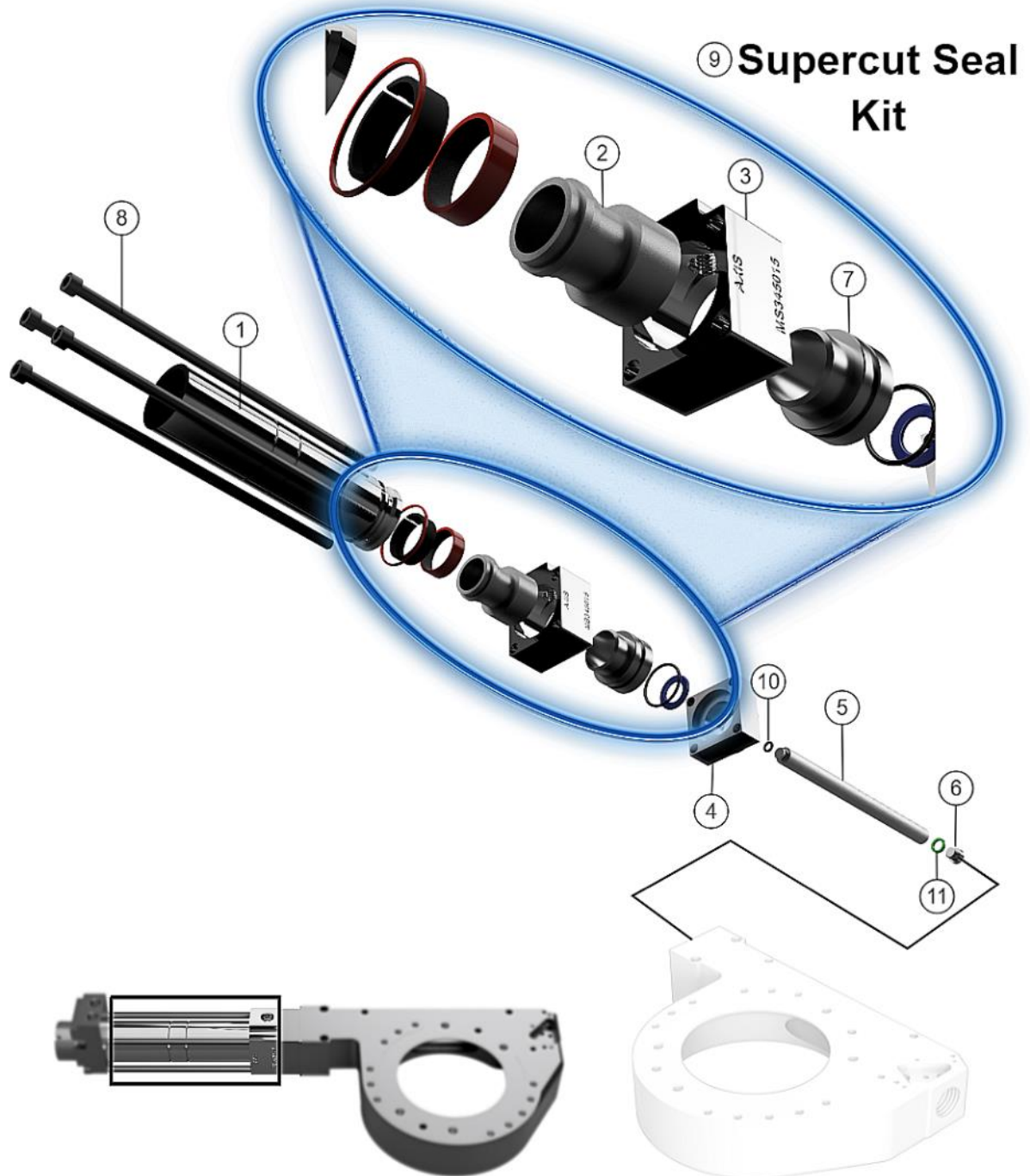
\*All manufacturers names, numbers, marks, trademarks and symbols and descriptions are used for reference purposes only. Use of parts not supplied from the original manufacturer on machines under manufacturer warranty could potentially void your manufacturer warranty. Machined parts are built by Axis, not the original manufacturer.

Axis Supercut 100 Main Saw Sensor Cover

No.	Axis Part No	Qty	Description	Notes
1	MS345308	1	SWITCH HOUSING	
2	MS345125	1	COVER PLATE	
3	MS345198	1	NIPPLE	
4	MS345208	1	NUT	
5	GFB80690	3	BOLT - M6 X 90MM SOCKET HEAD	
6	MS345084	1	PLASTIC PLUG	
7	EP455118	1	PREMIUM PROXIMITY SWITCH	
8	EP455102	2	SENSOR - SAW LIMITING	
9	MS345374	1	PLATE	
10	GFB80608	2	BOLT - M6 X 8MM SOCKET HEAD	
11	MS345013	2	SPRING PIN	
12	EP455101	3	CABLE	

\*All manufacturers names, numbers, marks, trademarks and symbols and descriptions are used for reference purposes only. Use of parts not supplied from the original manufacturer on machines under manufacturer warranty could potentially void your manufacturer warranty. Machined parts are built by Axis, not the original manufacturer.

Axis Supercut 100 Main Saw Cylinder



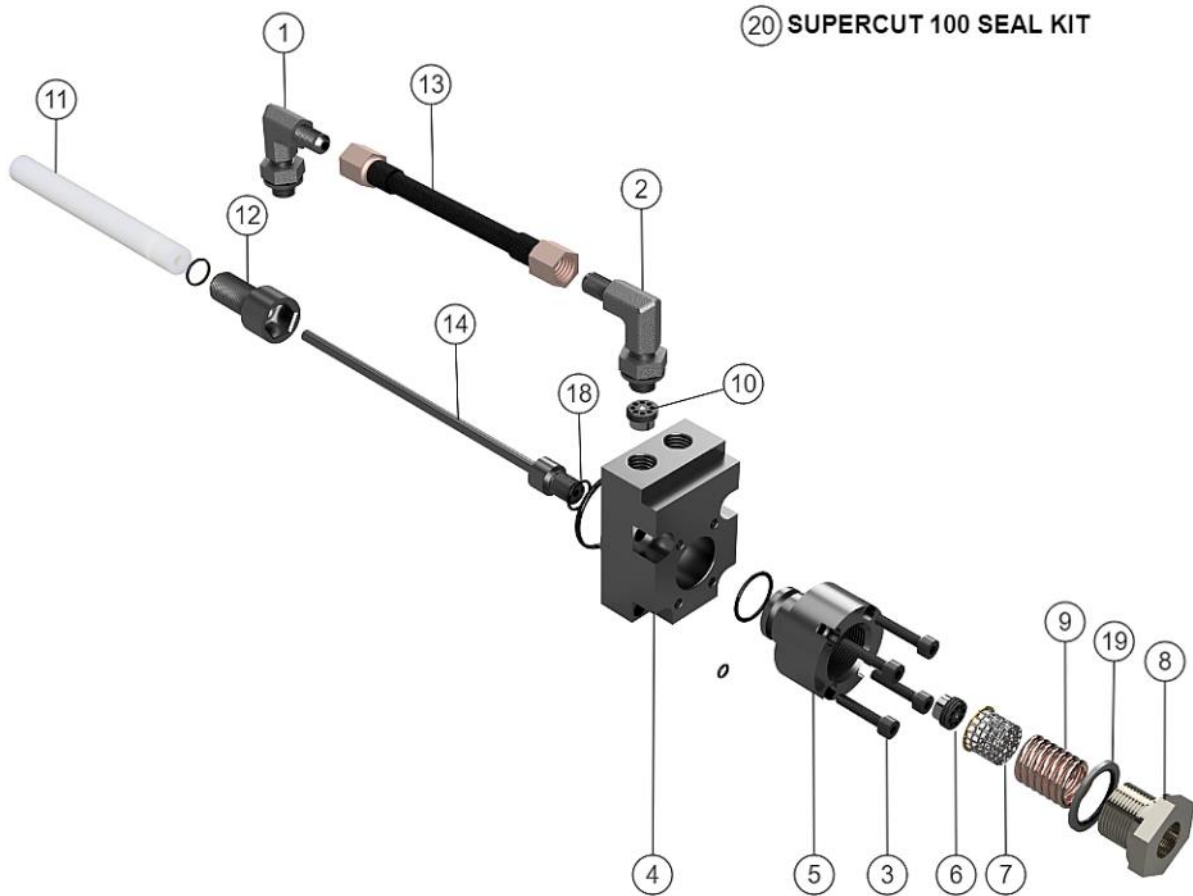
\*All manufacturers names, numbers, marks, trademarks and symbols and descriptions are used for reference purposes only. Use of parts not supplied from the original manufacturer on machines under manufacturer warranty could potentially void your manufacturer warranty. Machined parts are built by Axis, not the original manufacturer.

Axis Supercut 100 Main Saw Cylinder

No.	Axis Part No	Qty	Description	Notes
1	MS345094	1	BARREL	
2	MS345014	1	CYLINDER PISTON	
3	MS345015	1	FLANGE	
4	MS345076	1	SPACER	
5	MS345075	1	PISTON ROD	
6	MS345112	1	PLUG	
7	MS345113	1	CAP	
8	GFB808260	4	BOLT - M8 X 260MM SOCKET HEAD	
9	SK240186	1	SC100 SEAL KIT	COMPLETE KIT RESEALS ENTIRE SAW UNIT
10	T409467A	1	O-RING	
11	ED2	1	SPECIAL BSPP SEAL - #2	

\*All manufacturers names, numbers, marks, trademarks and symbols and descriptions are used for reference purposes only. Use of parts not supplied from the original manufacturer on machines under manufacturer warranty could potentially void your manufacturer warranty. Machined parts are built by Axis, not the original manufacturer.

Axis Supercut 100 Main Saw Chain Lube System



20 SUPERCUT 100 SEAL KIT



REMOVAL TOOL FOR ITEM #10.



21



\*All manufacturers names, numbers, marks, trademarks and symbols and descriptions are used for reference purposes only. Use of parts not supplied from the original manufacturer on machines under manufacturer warranty could potentially void your manufacturer warranty. Machined parts are built by Axis, not the original manufacturer.

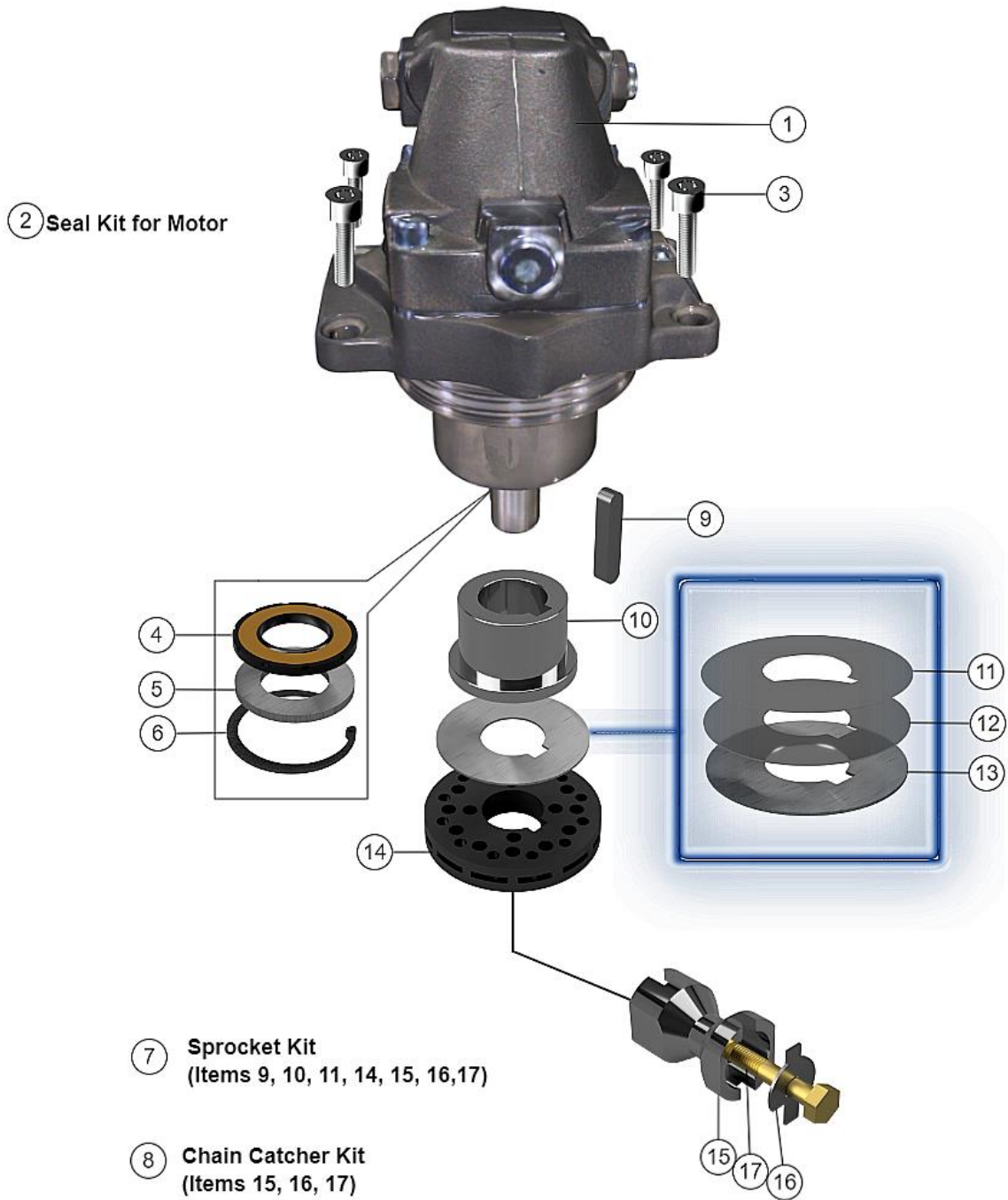


Axis Supercut 100 Main Saw Chain Lube System

No.	Axis Part No	Qty	Description	Notes
1	HF2949-4-2	1	FITTING - #4 JIC MALE X #2 BSP 90°	
2	HF2949-4-4	1	FITTING - #4 JIC MALE X #4 BSPP MALE - 90°	
3	GFB80525	4	BOLT - M5 X 25MM - SOCKET HEAD	
4	MS345302	1	MANIFOLD	
5	MS345197	1	HOUSING ASSY	
6	MS345796	1	CHECK VALVE	
7	MS345533	1	STRAINER	
8	MS345182	1	NIPPLE	
9	MS345557	1	SPRING	
10	MS345798	1	CHECK VALVE	
11	MS345235	1	BUSHING	
12	MS345161	1	BOLT ASSEMBLY	
13	MS345188	1	HOSE	
14	MS345271	1	OIL PIPE	
15	T108395V	1	O-RING	
16	T271517V	1	O-RING	
17	T424457A	1	O-RING	
18	T172457C	1	O-RING	
19	BSP12	1	BSPP BONDED SEAL #12	
20	MS345011	1	TOOL - SUPERCUT MAIN SAW CHECK VALVE REMOVAL	
21	SK270186	1	SUPERCUT 100 SEAL KIT	

\*All manufacturers names, numbers, marks, trademarks and symbols and descriptions are used for reference purposes only. Use of parts not supplied from the original manufacturer on machines under manufacturer warranty could potentially void your manufacturer warranty. Machined parts are built by Axis, not the original manufacturer.

Axis Supercut 100 Main Saw Motor and Sprocket



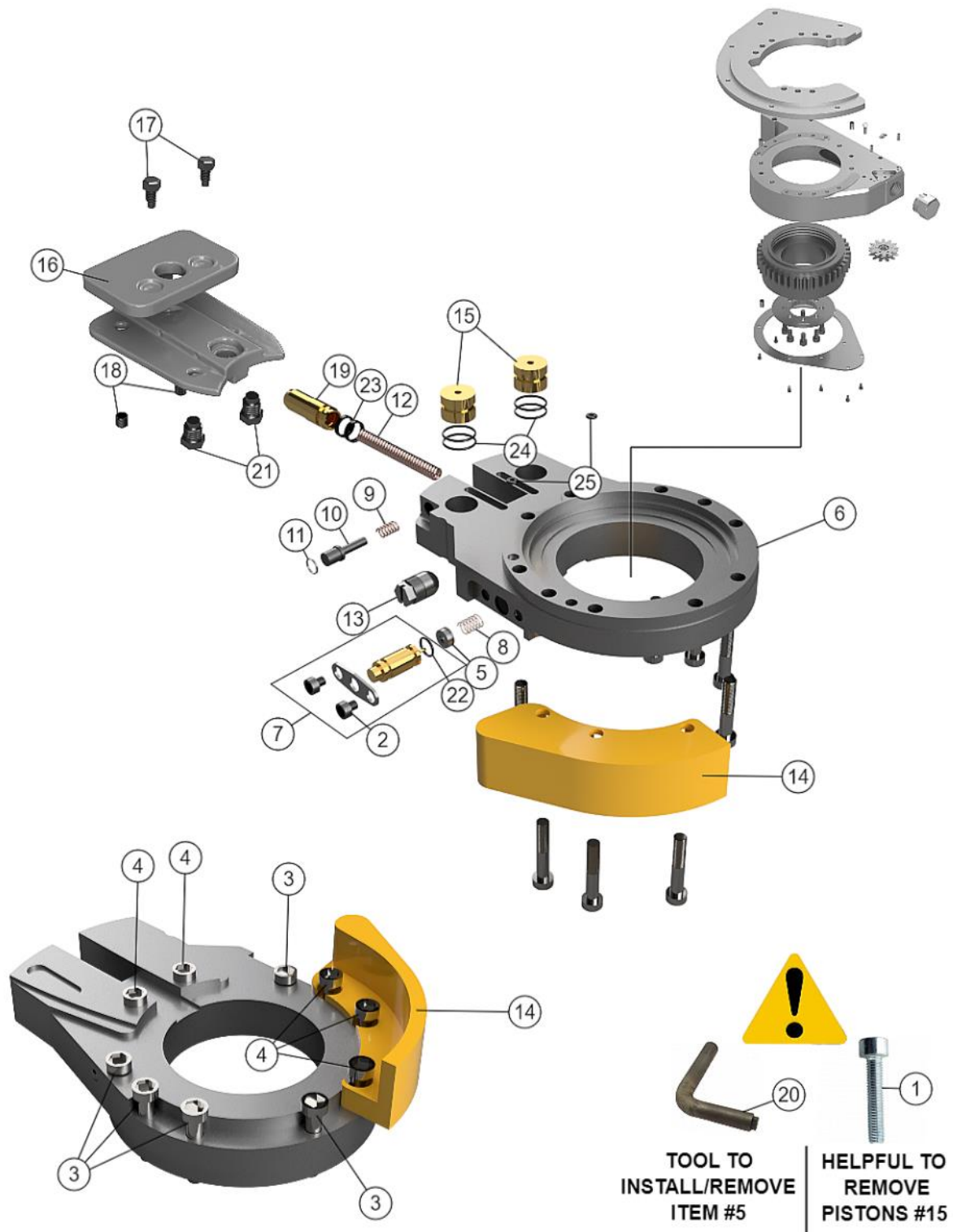
\*All manufacturers names, numbers, marks, trademarks and symbols and descriptions are used for reference purposes only. Use of parts not supplied from the original manufacturer on machines under manufacturer warranty could potentially void your manufacturer warranty. Machined parts are built by Axis, not the original manufacturer.

Axis Supercut 100 Main Saw Motor and Sprocket

No.	Axis Part No	Qty	Description	Notes
1	MT345100	1	SAW MOTOR	
2	SK345100	1	SEAL KIT	
3	GFB81222	4	BOLT - M12 X 22MM SOCKET HEAD	
4	SS523006	1	SHAFT SEAL	
5	MS345590	1	BACKUP RING	
6	GFS552	1	SNAP RING	
7	MS345006	1	SPROCKET KIT - MAIN SAW SC100 LOCKING STYLE	
8	MS345007	1	CHAIN CATCHER KIT	
9	MS345002	1	KEYWAY	
10	MS345003	1	SPACER	
11	MS345025	1	SHIM - 0.25MM	
12	MS345050	1	SHIM - 0.50MM	
13	MS345100	1	SHIM - 1.00MM	
14	RSC12-404	1	RIM SPROCKET 12T	
15	MS345005	1	CHAIN CATCHER - MAIN SAW 404 LOCKING STYLE	
16	MS180163	1	LOCK TAB	
17	GFB70850	1	BOLT - M8 X 50MM HEX HEAD	

\*All manufacturers names, numbers, marks, trademarks and symbols and descriptions are used for reference purposes only. Use of parts not supplied from the original manufacturer on machines under manufacturer warranty could potentially void your manufacturer warranty. Machined parts are built by Axis, not the original manufacturer.

Supercut 100 Tension Assembly



\*All manufacturers names, numbers, marks, trademarks and symbols and descriptions are used for reference purposes only. Use of parts not supplied from the original manufacturer on machines under manufacturer warranty could potentially void your manufacturer warranty. Machined parts are built by Axis, not the original manufacturer.

Supercut 100 Tension Assembly

No.	Axis Part No	Qty	Description	Notes
1	GFB80525	1	BOLT - M5 X 25MM - SOCKET HEAD	
2	GFB80608	2	BOLT - M6 X 8MM - SOCKET HEAD	
3	GFB80840	5	BOLT - M8 X 40MM - SOCKET HEAD	
4	GFB80845	5	BOLT - M8 X 45MM- SOCKET HEAD	
5	MS345026	1	CHECK VALVE	
6	MS345327	1	SWING ARM TENSIONING ASSEMBLY	
7	MS325441	1	PILOT VALVE	
8	MS345553	1	COMPRESSION SPRING	
9	MS345529	1	COMPRESSION SPRING	
10	MS345028	1	LOCKING PIN	
11	MS345128	1	SLEEVE	
12	MS345554	1	COMPRESSION SPRING	
13	MS345103	1	BLEEDER SCREW	
14	MS345016	1	CHAIN SHOT GUARD	
15	MS345022	2	PISTON	
16	MS345292	1	BAR HOLDER	
17	MS345706	2	GUIDE SCREW	
18	MS345724	2	SET SCREW M10 X 10	
19	MS345072	1	PISTON	
20	MS345149	1	CHECK VALVE ALLEN KEY	
21	MS345711	2	SCREW - BAR HOLDER	
22	T152457C	1	O-RING	
23	T192457C	2	O-RING	
24	T232457C	4	O-RING	
25	T126395A	2	O-RING	

\*All manufacturers names, numbers, marks, trademarks and symbols and descriptions are used for reference purposes only. Use of parts not supplied from the original manufacturer on machines under manufacturer warranty could potentially void your manufacturer warranty. Machined parts are built by Axis, not the original manufacturer.

Axis 3/4" Main Saw Manual Tension



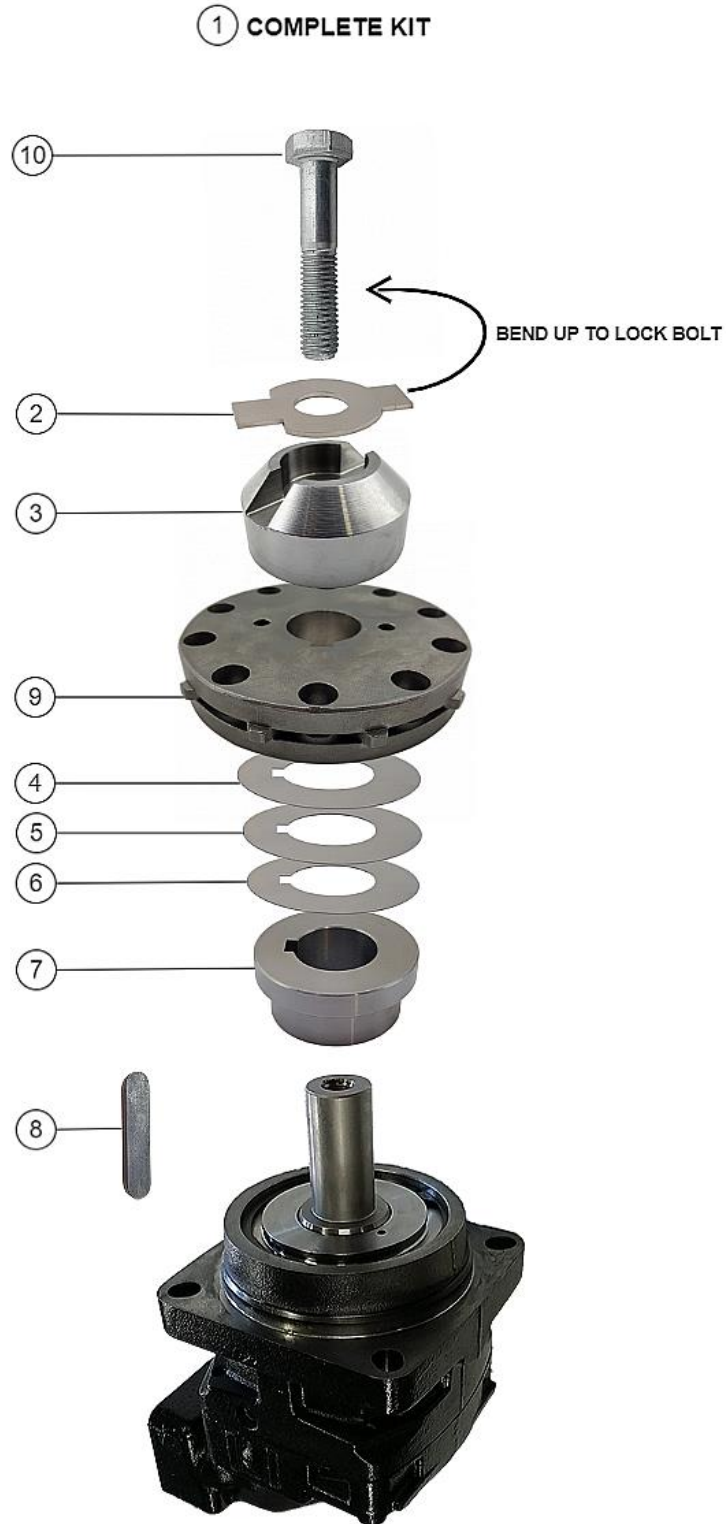
\*All manufacturers names, numbers, marks, trademarks and symbols and descriptions are used for reference purposes only. Use of parts not supplied from the original manufacturer on machines under manufacturer warranty could potentially void your manufacturer warranty. Machined parts are built by Axis, not the original manufacturer.

Axis 3/4" Main Saw Manual Tension

No.	Axis Part No	Qty	Description	Notes
1	BR115759	1	BEARING	
2	CW130100	1	CYLINDER ASSEMBLY	
3	MS434705	1	RETAINER	
4	MS434704	1	SWING ARM	
5	MS434703	1	RING	
6	MS434702	1	SPACER RING	
7	MS434701	1	ADAPTER RING	
8	MS345009	1	4 BOLT CHAIN CATCHER	
9	MT180434	1	MOTOR	
10	SK180434	1	SEAL KIT	
11	MS434724	1	PROX SWITCH HOLDER	
12	MS434706	1	BAR HOLDER TOP PLATE	
13	MS434003	1	ADJUSTER BLOCK	
14	MS434708	1	STUD - COARSE THREAD	
15	MS434176	1	FELT SEAL	
16	MS434157	1	SPACER - CYLINDER ROD END	
17	EP455105	1	PROXIMITY SWITCH	
18	GFB1437300FT	1	BOLT - 7/16 X 3 FT UNC	
19	GFB1312075	2	BOLT - 5/16 X 0.75" UNC HEX	
20	GFB2312150	8	BOLT - 5/16" X 1.50" UNF HEX	
21	GFB3312100	18	BOLT - 5/16" X 1" UNC SOCKET HEAD	
22	GFB3500150	4	BOLT - 1/2 X 1.50" UNC SOCKET HEAD	
23	GFB1375100	1	BOLT - 3/8" X 1" UNC HEX	
24	GFB1312250	1	BOLT - 5/16" X 2.50" UNC HEX	
25	GFB3375200	1	BOLT - 3/8" X 2" UNC SOCKET HEAD	
26	GFB1500200	3	BOLT - 1/2" X 2" UNC HEX	
27	GFW1312	2	HARDENED WASHER - 5/16	
28	GFW5312	8	ANTI-VIBRATION LOCKWASHER 5/16"	
29	GFW1625	2	HARDENED WASHER - 5/8"	
30	GFW5375	1	ANTI-VIBRATION LOCKWASHER 3/8"	
31	GFW1500	3	WASHER - 1/2" HARDENED	
32	GFN4312	1	NUT - NYLOCK 5/16" UNC	
33	GFN8625	1	NUT - 5/8" UNC STOVER	
34	GFN4500	3	NYLOCK NUT - 1/2" UNC	
35	HF2040-6-6	1	FITTING - #6 JIC MALE X #6 BSP MALE	
36	HF2939-6-6	1	FITTING - #6 JIC MALE X #6 JIC FEMALE 90°	
37	SK320702	1	SEAL KIT	
38	PN160129	1	PIN	
39	T1899467V	1	O-RING	
40	BSP6	1	BSP BONDED SEAL #6	

\*All manufacturers names, numbers, marks, trademarks and symbols and descriptions are used for reference purposes only. Use of parts not supplied from the original manufacturer on machines under manufacturer warranty could potentially void your manufacturer warranty. Machined parts are built by Axis, not the original manufacturer.





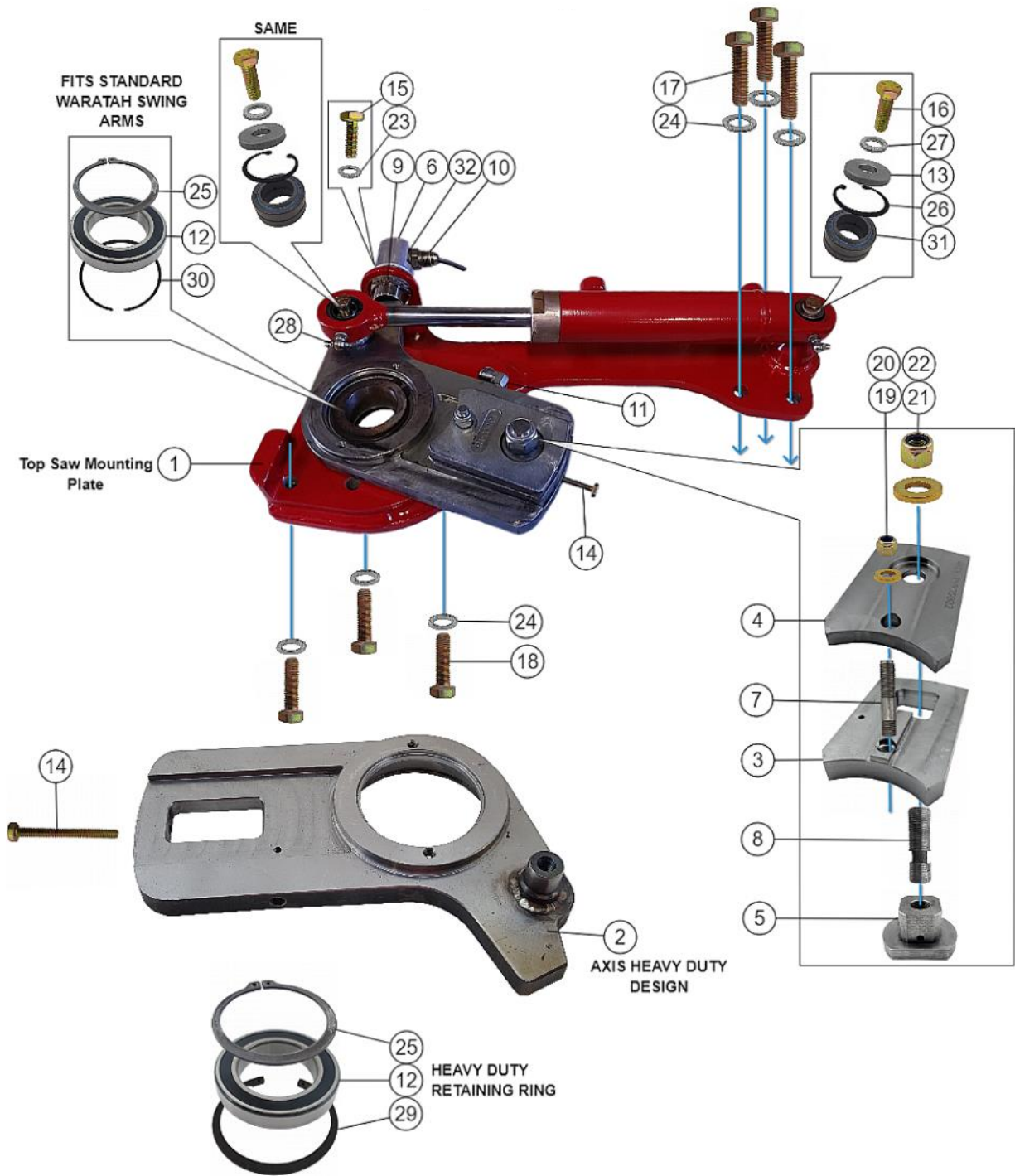
\*All manufacturers names, numbers, marks, trademarks and symbols and descriptions are used for reference purposes only. Use of parts not supplied from the original manufacturer on machines under manufacturer warranty could potentially void your manufacturer warranty. Machined parts are built by Axis, not the original manufacturer.

Axis 3/4" Main Saw Sprocket Assembly—Manual Tension Saws

No.	Axis Part No	Qty	Description	Notes
1	MS434000	1	3/4" SAW SPROCKET KIT	
2	MS434153	1	LOCK TAB WASHER	
3	MS434152	1	SPROCKET RETAINER	
4	MS435025	1	3/4" SAW SHIM 0.25MM	
5	MS435050	1	3/4" SAW SHIM 0.50MM	
6	MS435100	1	3/4" SAW SHIM 1.00MM	
7	MS434150	1	3/4" SAW SPROCKET BOSS	
8	MS434102	1	KEYWAY	
9	HR819	1	RIM SPROCKET 3/4", 10 Tooth	
10	GFB71260	1	BOLT - M12X60MM HEX HEAD	

\*All manufacturers names, numbers, marks, trademarks and symbols and descriptions are used for reference purposes only. Use of parts not supplied from the original manufacturer on machines under manufacturer warranty could potentially void your manufacturer warranty. Machined parts are built by Axis, not the original manufacturer.

Axis Top Saw Assembly



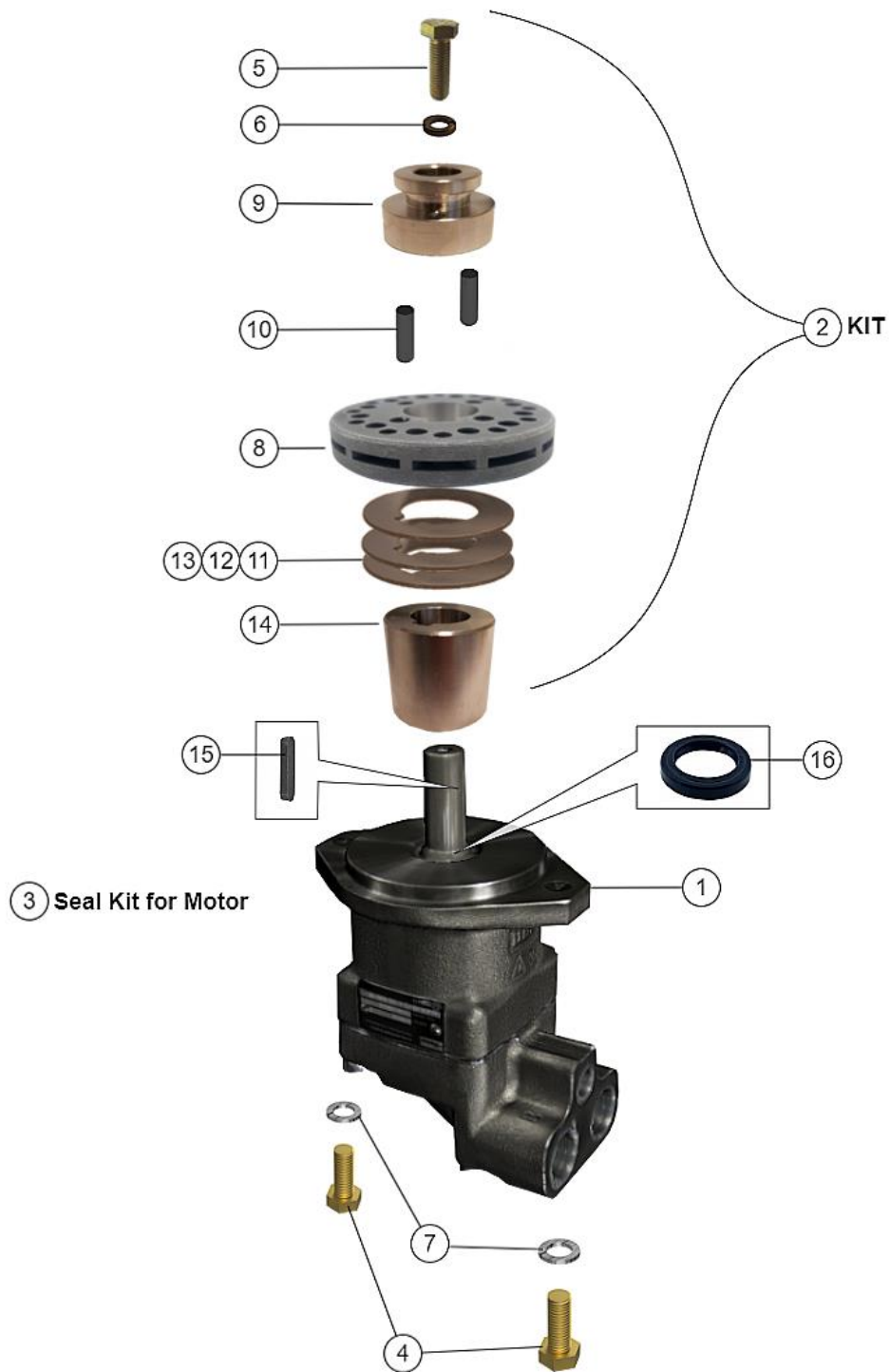
\*All manufacturers names, numbers, marks, trademarks and symbols and descriptions are used for reference purposes only. Use of parts not supplied from the original manufacturer on machines under manufacturer warranty could potentially void your manufacturer warranty. Machined parts are built by Axis, not the original manufacturer.

## Axis Top Saw Assembly

No.	Axis Part No	Qty	Description	Notes
1	TS955009	1	MOUNT PLATE	
2	TS955000	1	SWING ARM MOUNT	
3	TS955001	1	BAR MOUNT	
4	TS955002	1	BAR CLAMP	
5	TS955003	1	ADJUSTER BLOCK	
6	TS955010	1	MOUNT - PROXIMITY SWITCH	
7	TS955015	1	STUD - 3/8" UNF	
8	TS955016	1	STUD - 5/8" UNF	
9	EP455105	1	PROXIMITY SWITCH	
10	HF2040-8-6	1	FITTING - #8 JIC MALE X #6 BSPP MALE	
11	HF2947-4-2	1	FITTING - #4 JIC MALE X #2 BSPT MALE 90°	TOP SAW OILER
12	BR115751	1	BEARING	
13	BW251004	2	SPACER	
14	GFB2250225FT	1	BOLT - TOP SAW TENSIONER	
15	GFB1250075	2	BOLT - 1/4" X 0.75" UNC HEX HEAD	
16	GFB1375125	2	BOLT - 3/8" X 1.25" UNC HEX	
17	GFB1500175	3	BOLT - 1/2" X 1.75" UNC HEX	
18	GFB1500250	3	BOLT - 1/2" X 2.5" UNC HEX	
19	GFN5375	1	NUT - NYLOCK 3/8" UNF	
20	GFW1375	1	WASHER - 3/8" HARDENED	
21	GFN5625	1	NUT - NYLOCK 5/8" UNF	
22	GFW1625	1	HARDENED WASHER - 5/8"	
23	GFW5250	2	ANTI-VIBRATION LOCKWASHER 1/4"	
24	GFW5500	6	ANTI-VIBRATION LOCKWASHER 1/2"	
25	GFS19060	1	RETAINING RING	
26	GFS551	2	SNAP RING	
27	GFW5375	2	ANTI-VIBRATION LOCKWASHER 3/8"	
28	GFZ14P90	2	GREASE NIPPLE 90°	
29	GFS593	1	INTERNAL SNAP RING	
30	GFS29095	1	RETAINING RING	
31	SBB12-2RS/Z	2	SPHERICAL BUSHING	
32	BSP6	1	BSP BONDED SEAL #6	

\*All manufacturers names, numbers, marks, trademarks and symbols and descriptions are used for reference purposes only. Use of parts not supplied from the original manufacturer on machines under manufacturer warranty could potentially void your manufacturer warranty. Machined parts are built by Axis, not the original manufacturer.

### Axis Top Saw Motor and Sprocket Assembly



\*All manufacturers names, numbers, marks, trademarks and symbols and descriptions are used for reference purposes only. Use of parts not supplied from the original manufacturer on machines under manufacturer warranty could potentially void your manufacturer warranty. Machined parts are built by Axis, not the original manufacturer.

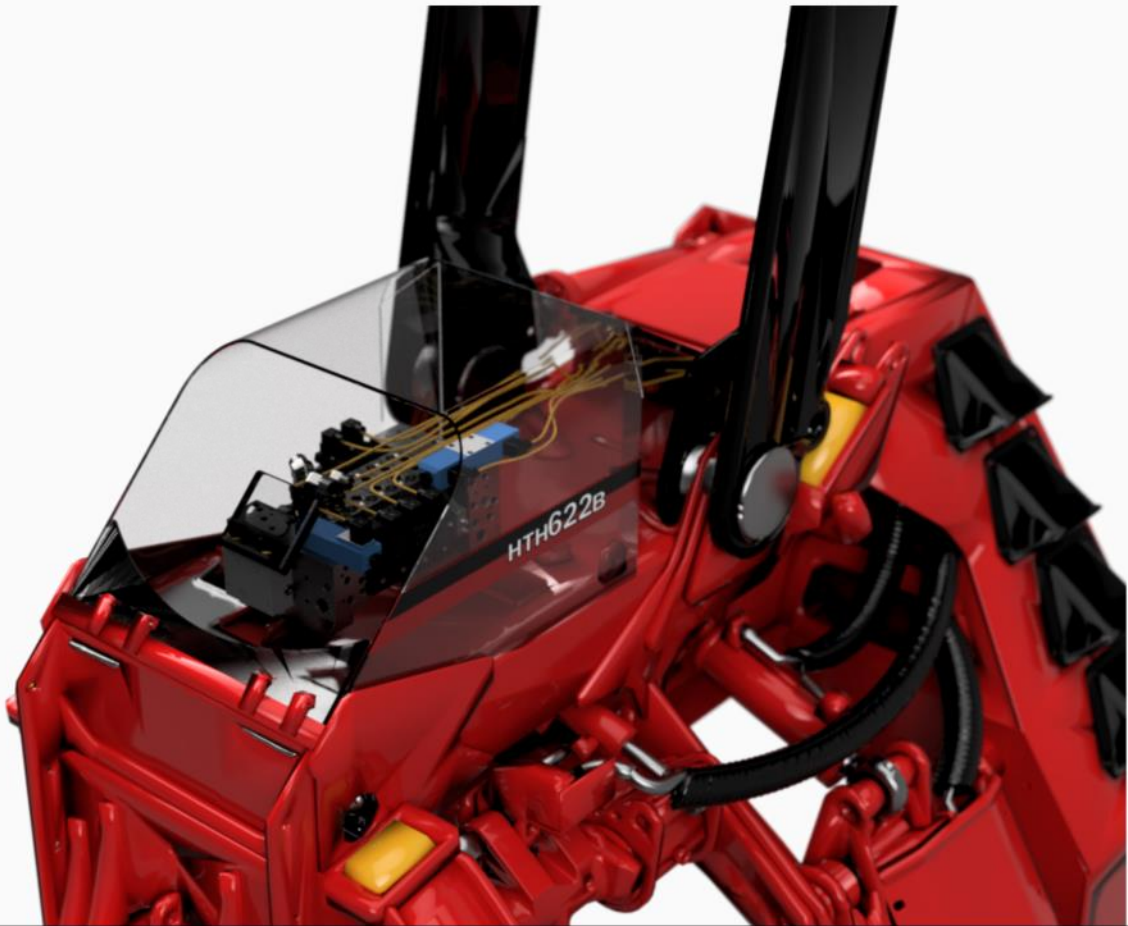
Axis Top Saw Motor and Sprocket Assembly

No.	Axis Part No	Qty	Description	Notes
1	MT945300	1	SAW MOTOR	
2	TS945000	1	SPROCKET KIT	
3	SK945300	1	TOP SAW MOTOR SEAL KIT	
4	GFB1500125	2	BOLT - 1/2" X 1.25" UNC HEX	
5	GFB70625	1	BOLT - M6 X 25MM HEX HEAD	
6	GFW5250	1	ANTI-VIBRATION LOCKWASHER 1/4"	
7	GFW5500	2	ANTI-VIBRATION LOCKWASHER 1/2"	
8	RSB11-404	1	SPROCKET 11T	
9	TS945001	1	CHAIN CATCHER	
10	TS945620	2	DOWEL PIN	
11	TS945025	1	SHIM - 0.25MM	
12	TS945050	1	SHIM - 0.50MM	
13	TS945100	1	SHIM - 1.00MM	
14	TS945004	1	SPACER	
15	TS945635	1	KEYWAY	
16	SS523004	1	SHAFT SEAL	

\*All manufacturers names, numbers, marks, trademarks and symbols and descriptions are used for reference purposes only. Use of parts not supplied from the original manufacturer on machines under manufacturer warranty could potentially void your manufacturer warranty. Machined parts are built by Axis, not the original manufacturer.

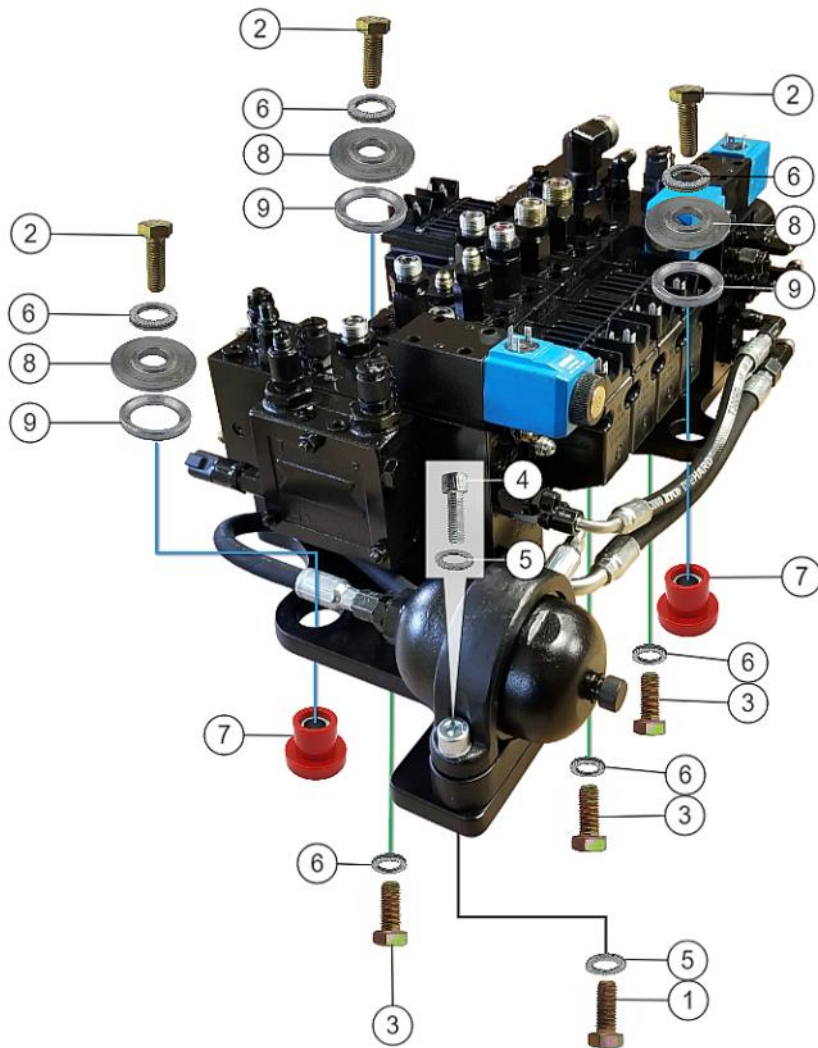






# VALVE BANK GROUP

### Axis Valve Bank Mounting



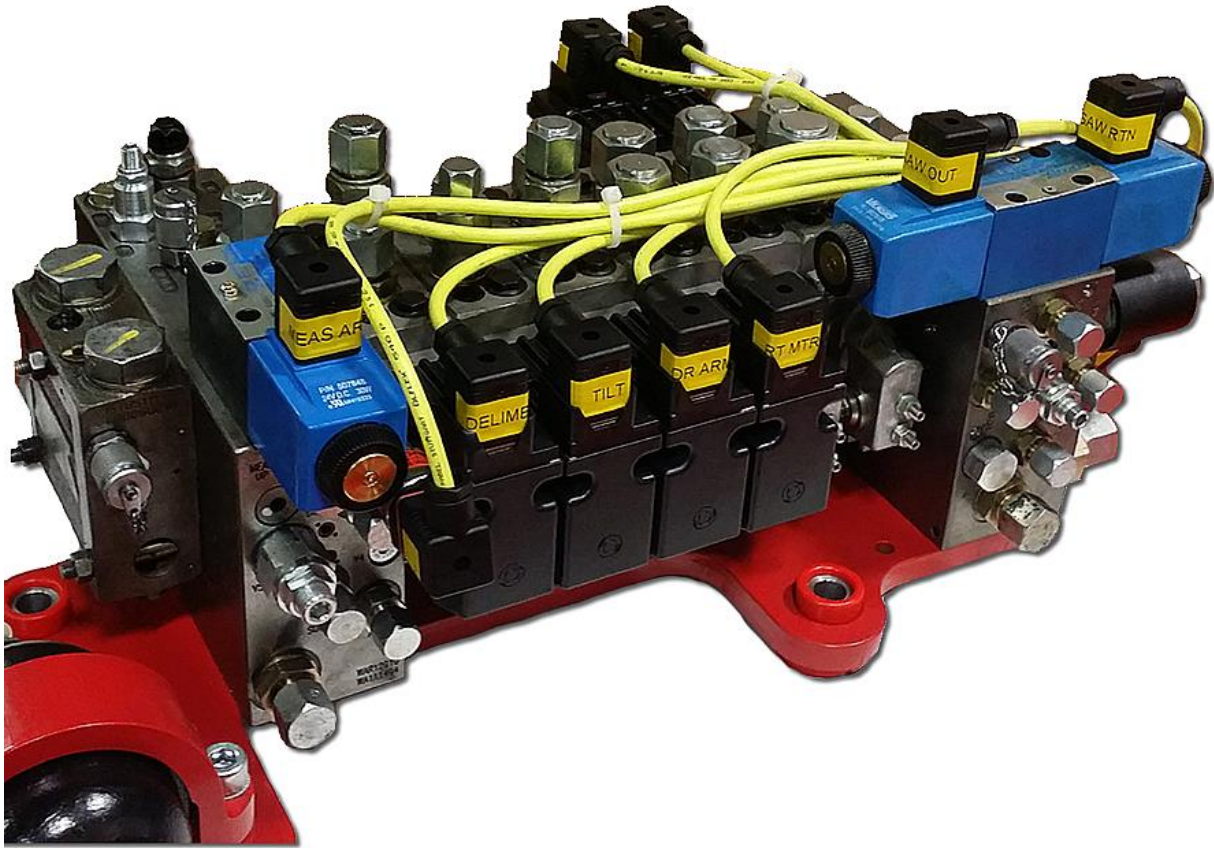
\*All manufacturers names, numbers, marks, trademarks and symbols and descriptions are used for reference purposes only. Use of parts not supplied from the original manufacturer on machines under manufacturer warranty could potentially void your manufacturer warranty. Machined parts are built by Axis, not the original manufacturer.

Axis Valve Bank Mounting

No.	Axis Part No	Qty	Description	Notes
1	GFB1500125	2	BOLT - 1/2" X 1.25" UNC HEX	
2	GFB1625250	3	BOLT - 5/8 X 2.50" UNC HEX	
3	GFB1625150	3	BOLT - 5/8" X 1.50" UNC HEX	
4	GFB3500150	2	BOLT - 1/2" X 1.50" SOCKET HEAD	
5	GFW5500	4	ANTI-VIBRATION LOCKWASHER 1/2"	
6	GFW5625	6	ANTIVIBRATION LOCKWASHER 5/8"	
7	MR561051	3	VALVE BANK MOUNT	
8	MR561052	3	WASHER - STEPPED	
9	MR561053	3	WASHER - SPACER	

\*All manufacturers names, numbers, marks, trademarks and symbols and descriptions are used for reference purposes only. Use of parts not supplied from the original manufacturer on machines under manufacturer warranty could potentially void your manufacturer warranty. Machined parts are built by Axis, not the original manufacturer.

① Master Kit



\*All manufacturers names, numbers, marks, trademarks and symbols and descriptions are used for reference purposes only. Use of parts not supplied from the original manufacturer on machines under manufacturer warranty could potentially void your manufacturer warranty. Machined parts are built by Axis, not the original manufacturer.

Axis Valve Bank Master Seal Kit

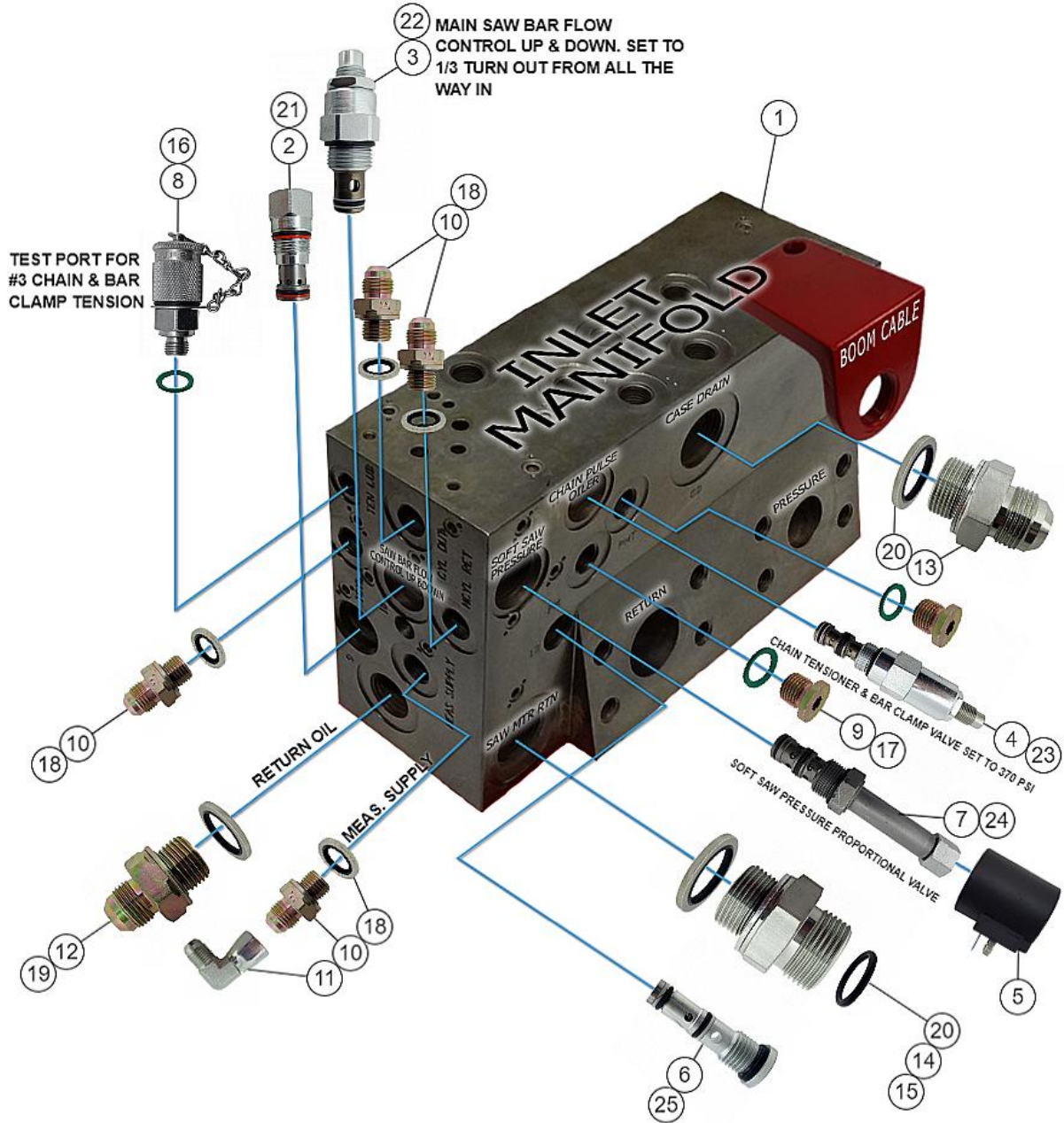
No.	Axis Part No	Qty	Description	Notes
1	SK227622-R	1	MASTER KIT - 6 VALVE WITH RODS—SERIAL UP TO 1999	INCLUDES EVERY SEAL PLUS THE O-RING FACE SEALS FOR THE MANIFOLD FITTINGS

\*All manufacturers names, numbers, marks, trademarks and symbols and descriptions are used for reference purposes only. Use of parts not supplied from the original manufacturer on machines under manufacturer warranty could potentially void your manufacturer warranty. Machined parts are built by Axis, not the original manufacturer.



Main Inlet Manifold with Supercut 100 Saw

**FRONT AND LEFT VIEW  
SUPERCUT 100 SAW ONLY**



\*All manufacturers names, numbers, marks, trademarks and symbols and descriptions are used for reference purposes only. Use of parts not supplied from the original manufacturer on machines under manufacturer warranty could potentially void your manufacturer warranty. Machined parts are built by Axis, not the original manufacturer.

Main Inlet Manifold with Supercut 100 Saw

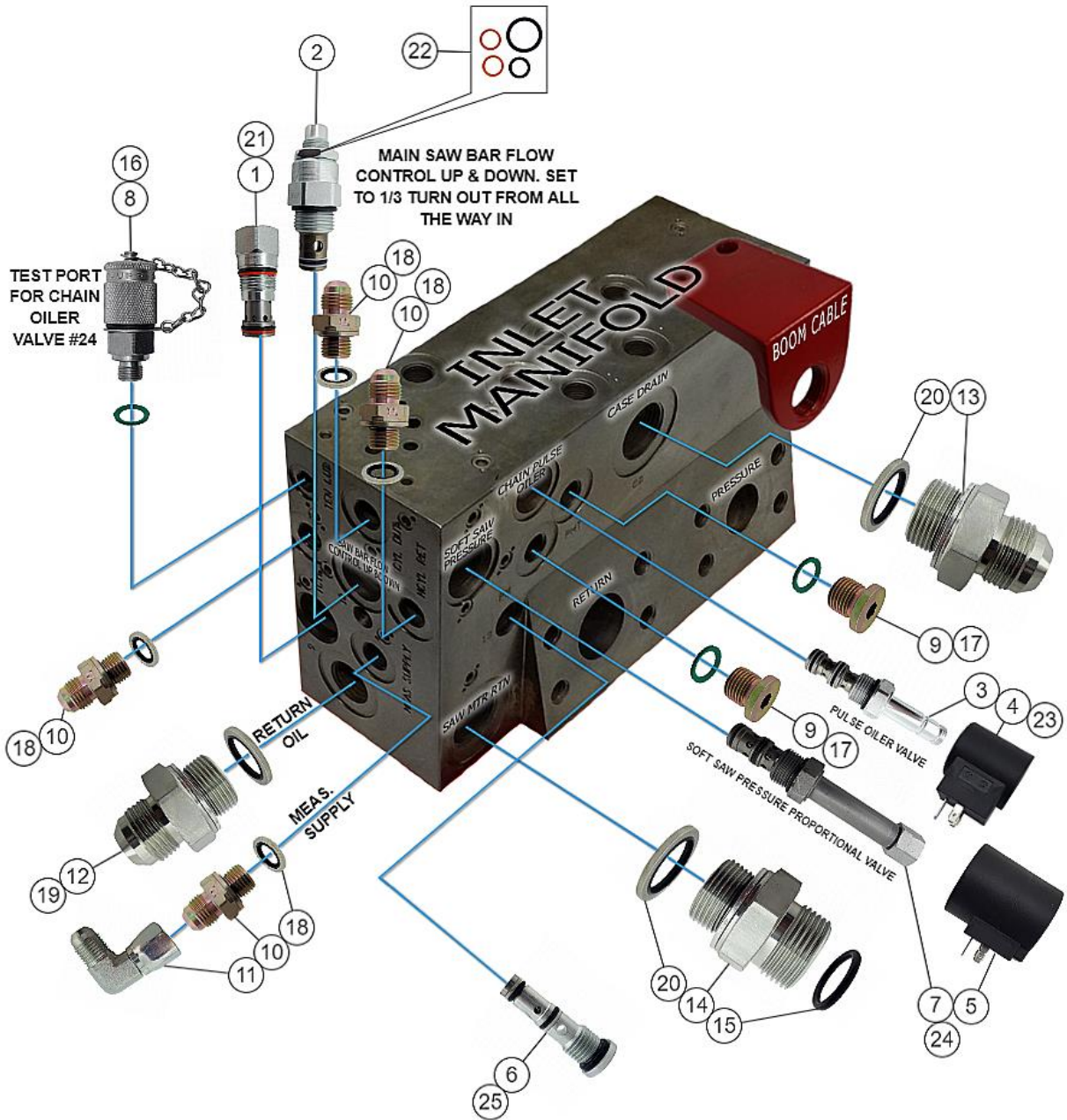
No.	Axis Part No	Qty	Description	Notes
1	HV622100	1	MAIN INLET BLOCK	
2	HV350800	1	CHECK VALVE	
3	HV350828	1	CARTRIDGE VALVE	BAR DOWN & RETURN SPEED
4	HV350832	1	CARTRIDGE VALVE	CHAIN TENSION PRV
5	HV356356	1	COIL	PROPORTIONAL SAW BAR PRESSURE
6	HV350824	1	SHUTTLE VALVE	
7	HV351036	1	SOLENOID VALVE	PROPORTIONAL SAW BAR PRESSURE
8	HF18TP	1	TEST PORT 1/8" BSPP	
9	HF41-4	2	PLUG - #4 BSP ROUND ALLEN HEAD	
10	HF2040-6-4	4	FITTING - #6 JIC MALE X #4 BSPP MALE	
11	HF2939-6-6	1	FITTING - #6 JIC MALE X #6 JIC FEMALE 90°	
12	HF2040-8-8	1	FITTING - #8 JIC MALE X #8 BSPP MALE	
13	HF2040-12-12	1	FITTING - #12 JIC MALE TO #12 BSP MALE	
14	HF4060-12-12	1	FITTING - #12 BSPP MALE X #12 ORFS MALE	
15	R24327C	1	O-RING #12 ORFS	
16	ED2	1	SPECIAL BSPP SEAL #2	
17	ED4	2	SPECIAL BSPP SEAL #4	
18	BSP4	4	BSPP BONDED SEAL #4	
19	BSP8	1	BSPP BONDED SEAL #8	
20	BSP12	1	BSPP BONDED SEAL #12	
21	SK700320	1	SEAL KIT	
22	SK351714	1	SEAL KIT	
23	SK351715	1	SEAL KIT	
24	SK351716	1	SEAL KIT	
25	SK350824	1	SEAL KIT	

\*All manufacturers names, numbers, marks, trademarks and symbols and descriptions are used for reference purposes only. Use of parts not supplied from the original manufacturer on machines under manufacturer warranty could potentially void your manufacturer warranty. Machined parts are built by Axis, not the original manufacturer.



Main Inlet Manifold with 3/4" Saw

FRONT AND LEFT  
VIEW  
3/4" SAW ONLY



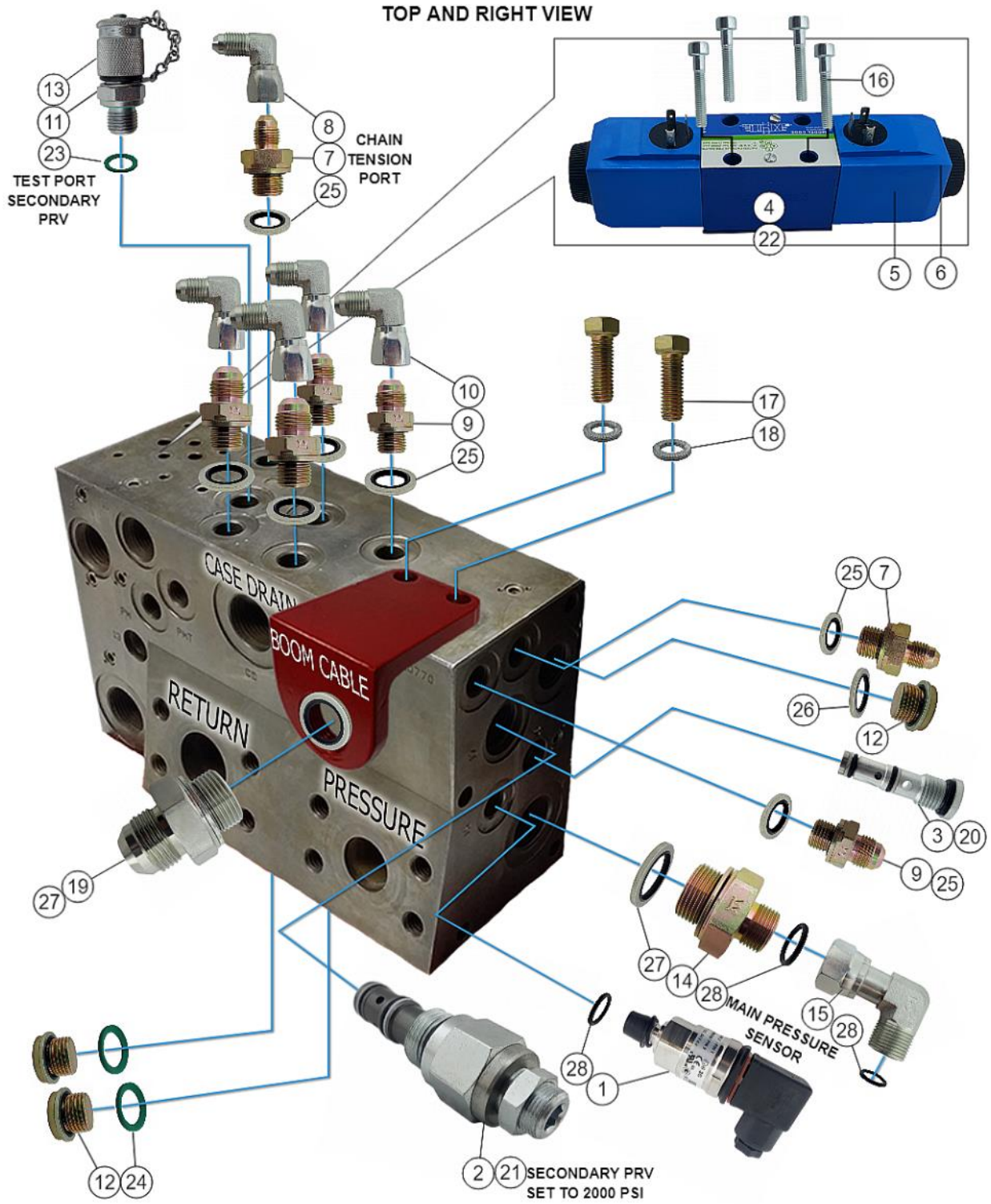
\*All manufacturers names, numbers, marks, trademarks and symbols and descriptions are used for reference purposes only. Use of parts not supplied from the original manufacturer on machines under manufacturer warranty could potentially void your manufacturer warranty. Machined parts are built by Axis, not the original manufacturer.

Main Inlet Manifold with 3/4" Saw

No.	Axis Part No	Qty	Description	Notes
1	HV350800	1	CHECK VALVE	
2	HV350828	1	CARTRIDGE VALVE	BAR DOWN & RETURN SPEED
3	HV350831	1	SOLENOID VALVE	PULSE OILER ON/OFF VALVE 3/4" SAW
4	HV356306	1	COIL	PULSE OILER COIL 3/4" SAW
5	HV356356	1	COIL	PROPORTIONAL SAW BAR PRESSURE
6	HV350824	1	SHUTTLE VALVE	
7	HV351036	1	SOLENOID VALVE	PROPORTIONAL SAW BAR PRESSURE
8	HF18TP	1	TEST PORT 1/8" BSPP	
9	HF41-4	2	PLUG - #4 BSP ROUND ALLEN HEAD	
10	HF2040-6-4	4	FITTING - #6 JIC MALE X #4 BSPP MALE	
11	HF2939-6-6	1	FITTING - #6 JIC MALE X #6 JIC FEMALE 90°	
12	HF2040-8-8	1	FITTING - #8 JIC MALE X #8 BSPP MALE	
13	HF2040-12-12	1	FITTING - #12 JIC MALE TO #12 BSP MALE	
14	HF4060-12-12	1	FITTING - #12 BSPP MALE X #12 ORFS MALE	
15	R24327C	1	O-RING #12 ORFS	
16	ED2	1	SPECIAL BSPP SEAL #2	
17	ED4	2	SPECIAL BSPP SEAL #4	
18	BSP4	4	BSPP BONDED SEAL #4	
19	BSP8	1	BSPP BONDED SEAL #8	
20	BSP12	2	BSPP BONDED SEAL #12	
21	SK700320	1	SEAL KIT	
22	SK351714	1	SEAL KIT	
23	SK351715	1	SEAL KIT	
24	SK351716	1	SEAL KIT	
25	SK350824	1	SEAL KIT	

\*All manufacturers names, numbers, marks, trademarks and symbols and descriptions are used for reference purposes only. Use of parts not supplied from the original manufacturer on machines under manufacturer warranty could potentially void your manufacturer warranty. Machined parts are built by Axis, not the original manufacturer.

Supercut 100 and 3/4" Saw Main Inlet Manifold



\*All manufacturers names, numbers, marks, trademarks and symbols and descriptions are used for reference purposes only. Use of parts not supplied from the original manufacturer on machines under manufacturer warranty could potentially void your manufacturer warranty. Machined parts are built by Axis, not the original manufacturer.

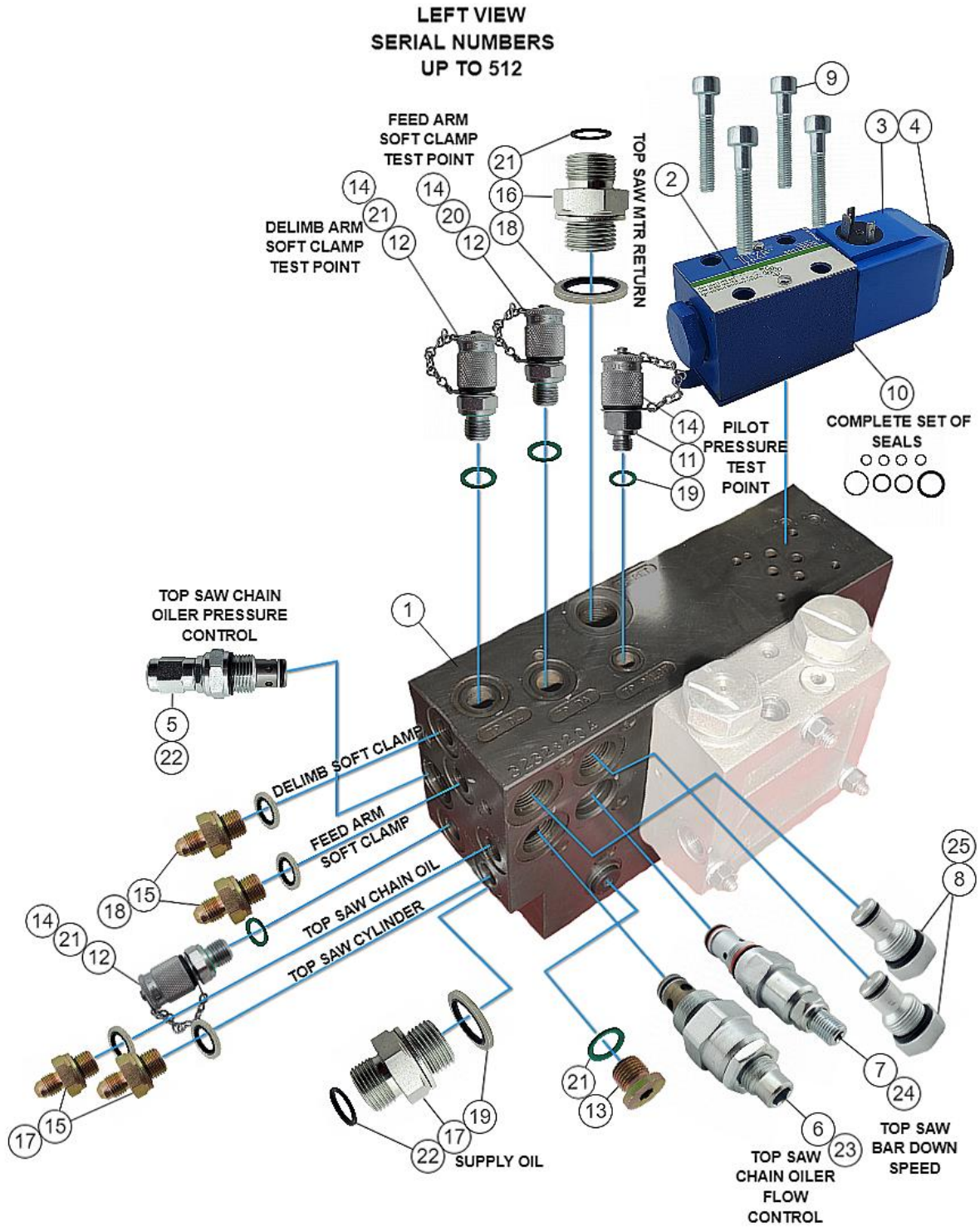
Supercut 100 and 3/4" Saw Main Inlet Manifold

No.	Axis Part No	Qty	Description	Notes
1	EP622060	1	MAIN PRESSURE ELECTRONIC SENSOR	OPTIONAL
2	HV350846	1	CARTRIDGE VALVE	SECONDARY PRV
3	HV350824	1	SHUTTLE VALVE	
4	HV290846	1	SOLENOID VALVE ASSEMBLY	MAIN SAW BAR DOWN AND RETURN ON/OFF
5	HV290848	2	COIL	
6	HV290849	2	NUT	
7	HF2040-4-4	2	FITTING - #4 JIC MALE X #4 BSPP MALE	
8	HF2939-4-4	1	FITTING - #4 JIC MALE X #4 JIC FEMALE 90°	
9	HF2040-6-4	4	FITTING - #6 JIC MALE X #4 BSPP MALE	
10	HF2939-6-6	4	FITTING - #6 JIC MALE X #6 JIC FEMALE 90°	
11	HF14TP	1	TEST PORT 1/4" BSPP	
12	HF41-8	2	PLUG - BSPP# 8 - ALLEN KEY	
13	HF14TPC	1	TEST PORT CAP	
14	HF4060-12-8	1	FITTING - #12 BSPP MALE X #8 ORFS MALE	
15	HF6979-8-8	1	FITTING - #8 ORFS MALE X #8 ORFS FEMALE 90°	
16	GFB80530	4	BOLT - 5 X 30mm SOCKET HEAD	
17	GFB1437100	2	BOLT - 7/16 X 1" UNC HEX	
18	GFW5437	2	ANTI-VIBRATION LOCKWASHER 7/16	
19	RT100110	1	FITTING - #12 JIC MALE X #12 BSPP MALE	
20	SK350824	1	SEAL KIT	
21	SK351716	1	SEAL KIT	
22	SK700413	1	SEAL KIT	
23	ED4	1	SEAL 1/4" BSPP	
24	ED8	2	SEAL 1/2" BSPP	
25	BSP4	8	BSPP BONDED SEAL #4	
26	BSP8	1	BSPP BONDED SEAL #8	
27	BSP12	1	BSPP BONDED SEAL #12	
28	R24323C	2	O-RING #8 ORFS	

\*All manufacturers names, numbers, marks, trademarks and symbols and descriptions are used for reference purposes only. Use of parts not supplied from the original manufacturer on machines under manufacturer warranty could potentially void your manufacturer warranty. Machined parts are built by Axis, not the original manufacturer.



Measuring/Top Saw Manifold



\*All manufacturers names, numbers, marks, trademarks and symbols and descriptions are used for reference purposes only. Use of parts not supplied from the original manufacturer on machines under manufacturer warranty could potentially void your manufacturer warranty. Machined parts are built by Axis, not the original manufacturer.

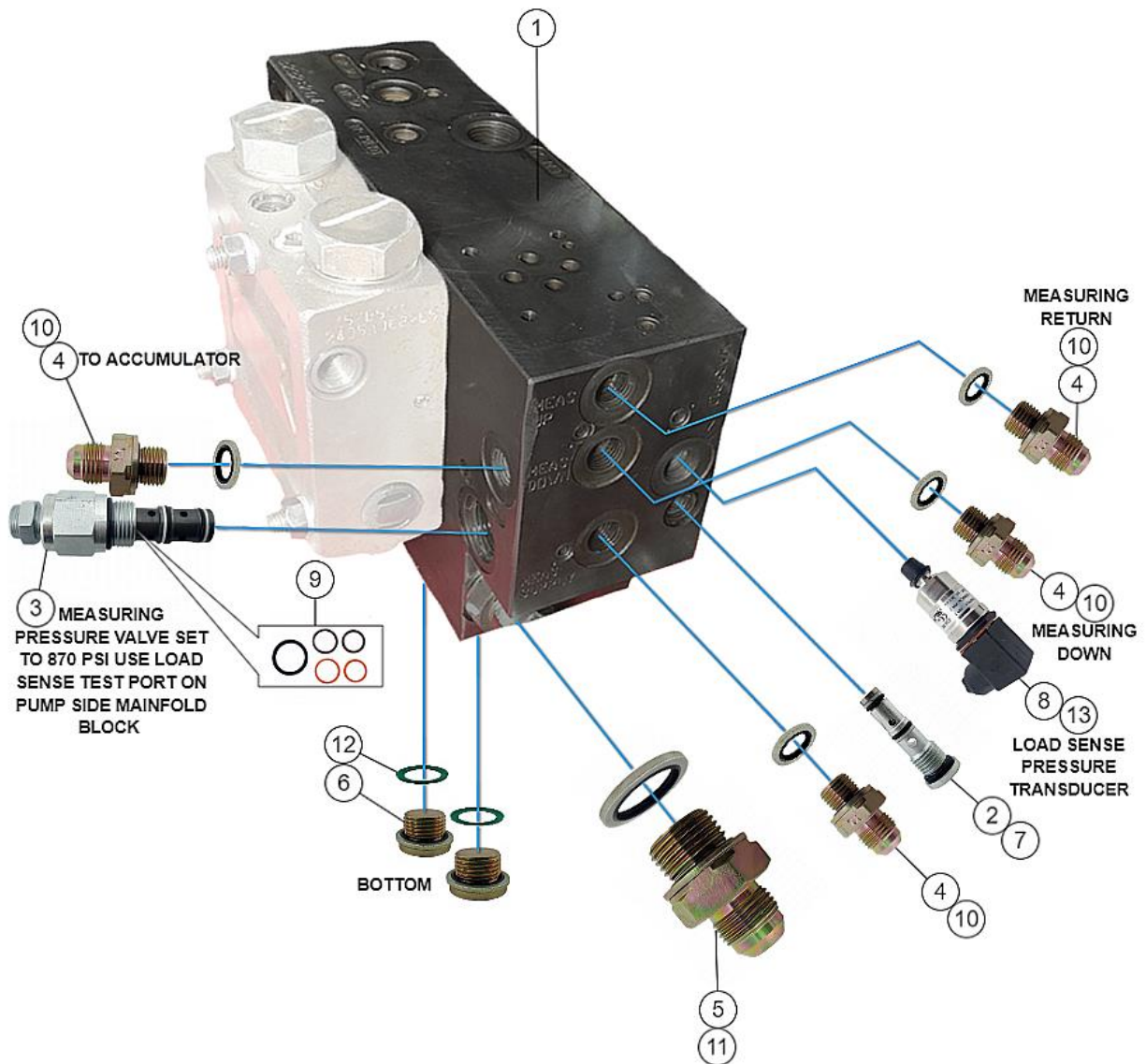
Measuring/Top Saw Manifold

No.	Axis Part No	Qty	Description	Notes
1	HV622101	1	MEASURING/TOP SAW MANIFOLD	
2	HV290847	1	SOLENOID VALVE ASSEMBLY	MEASURING WHEEL DOWN/UP
3	HV290848	1	COIL	
4	HV290849	1	NUT	
5	HV350835	1	CARTRIDGE VALVE	TOP SAW OILER PRV (SEE NOTE 1)
6	HV350828	1	CARTRIDGE VALVE	TOP SAW OILER FLOW CONTROL (SEE NOTE 2)
7	HV350826	1	CARTRIDGE VALVE	TOP SAW BAR DOWN SPEED CONTROL (SEE NOTE 2)
8	HV350827	2	PLUG	
9	GFB80530	4	BOLT - 5 X 30MM SOCKET HEAD	
10	SK700412	1	SEAL KIT	
11	HF18TP	1	TEST PORT 1/8" BSPP	
12	HF14TP	3	TEST PORT 1/4" BSPP	
13	HF41-4	1	PLUG - #4 BSPP ROUND ALLEN HEAD	
14	HF14TPC	4	TEST PORT CAP	
15	HF2040-4-4	4	FITTING - #4 JIC MALE X #4 BSPP MALE	
16	HF4060-8-8	1	FITTING - #8 BSP MALE X #8 ORFS MALE	
17	BSP4	4	BSPP BONDED SEAL #4	
18	BSP8	2	BSPP BONDED SEAL #8	
19	ED2	1	SEAL 1/8" BSPP	
20	ED4	4	SEAL 1/4" BSPP	
21	R24323C	1	O-RING #8 ORFS	
22	SK351718	1	SEAL KIT	
23	SK351714	1	SEAL KIT	
24	SK350826	1	SEAL KIT	
25	SK351714	2	SEAL KIT	
	NOTE 1		TURN CLOCKWISE TO INCREASE PRESSURE	TURN COUNTER CLOCKWISE TO REDUCE PRESSURE
	NOTE 2		TURN CLOCKWISE TO REDUCE FLOW	TURN COUNTER CLOCKWISE TO INCREASE FLOW

\*All manufacturers names, numbers, marks, trademarks and symbols and descriptions are used for reference purposes only. Use of parts not supplied from the original manufacturer on machines under manufacturer warranty could potentially void your manufacturer warranty. Machined parts are built by Axis, not the original manufacturer.

Measuring/Top Saw Manifold Part 2

**RIGHT VIEW**  
**SERIAL NUMBER**  
**UP TO 512**



\*All manufacturers names, numbers, marks, trademarks and symbols and descriptions are used for reference purposes only. Use of parts not supplied from the original manufacturer on machines under manufacturer warranty could potentially void your manufacturer warranty. Machined parts are built by Axis, not the original manufacturer.

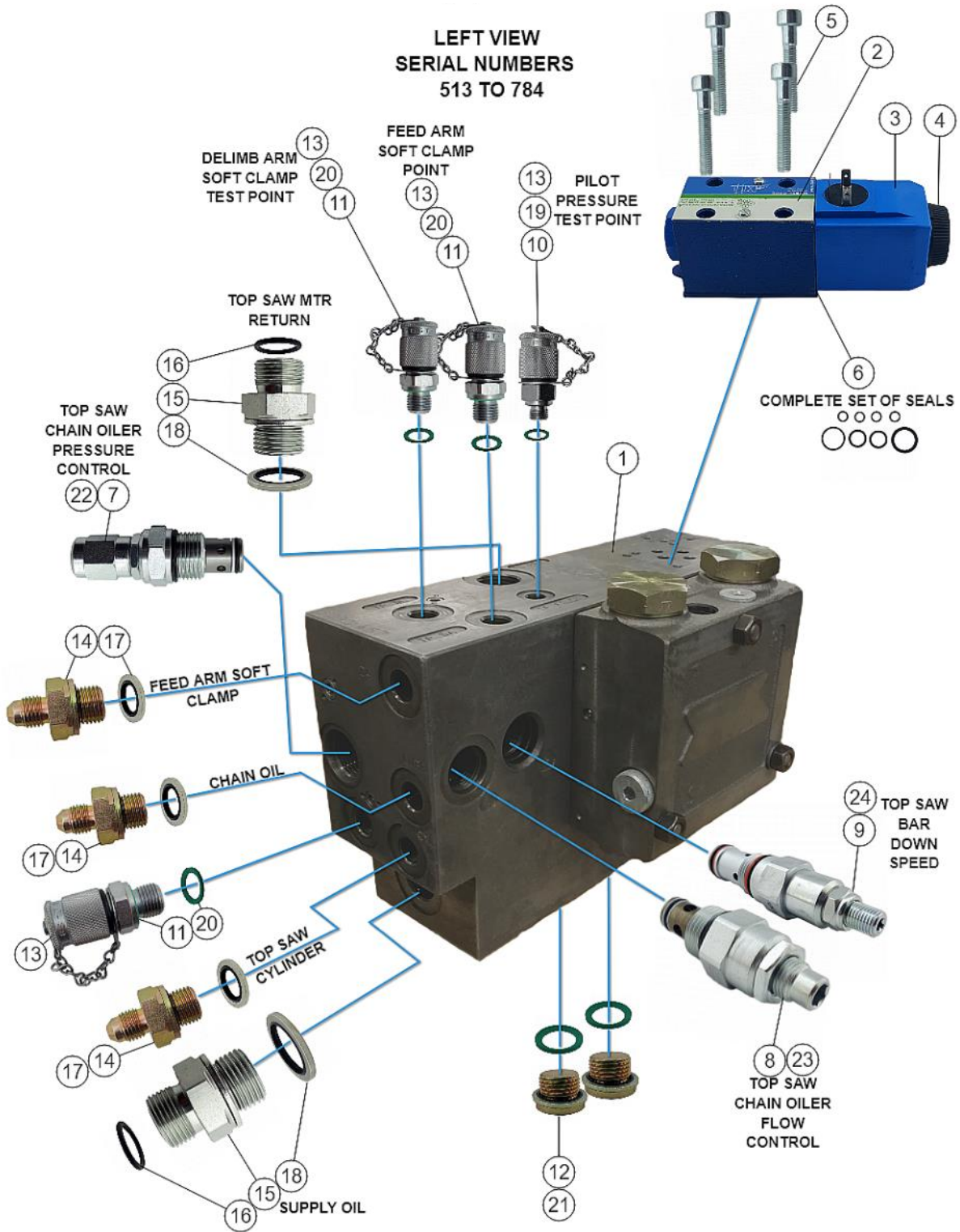


Measuring/Top Saw Manifold Part 2

No.	Axis Part No	Qty	Description	Notes
1	HV622101	1	MEASURING/TOP SAW MANIFOLD	
2	HV350824	1	SHUTTLE VALVE	
3	HV350841	1	CARTRIDGE VALVE	MEASURING CYLINDER PRV
4	HF2040-6-4	4	FITTING - #6 JIC MALE X #4 BSPP MALE	
5	HF2040-8-8	1	FITTING - #8 JIC MALE X #8 BSPP MALE	
6	HF41-8	2	PLUG - BSPP# 8 - ALLEN KEY	
7	SK350824	1	SEAL KIT	
8	EP622060	1	LOAD SENSE PRESSURE ELECTRONIC SENSOR	OPTIONAL
9	SK351716	1	SEAL KIT	
10	BSP4	4	BSPP BONDED SEAL #4	
11	BSP8	1	BSPP BONDED SEAL #8	
12	ED8	2	SEAL 1/2" BSPP	
13	R24323C	1	O-RING #8 ORFS	

\*All manufacturers names, numbers, marks, trademarks and symbols and descriptions are used for reference purposes only. Use of parts not supplied from the original manufacturer on machines under manufacturer warranty could potentially void your manufacturer warranty. Machined parts are built by Axis, not the original manufacturer.

Measuring/Top Saw Manifold Part 3



\*All manufacturers names, numbers, marks, trademarks and symbols and descriptions are used for reference purposes only. Use of parts not supplied from the original manufacturer on machines under manufacturer warranty could potentially void your manufacturer warranty. Machined parts are built by Axis, not the original manufacturer.

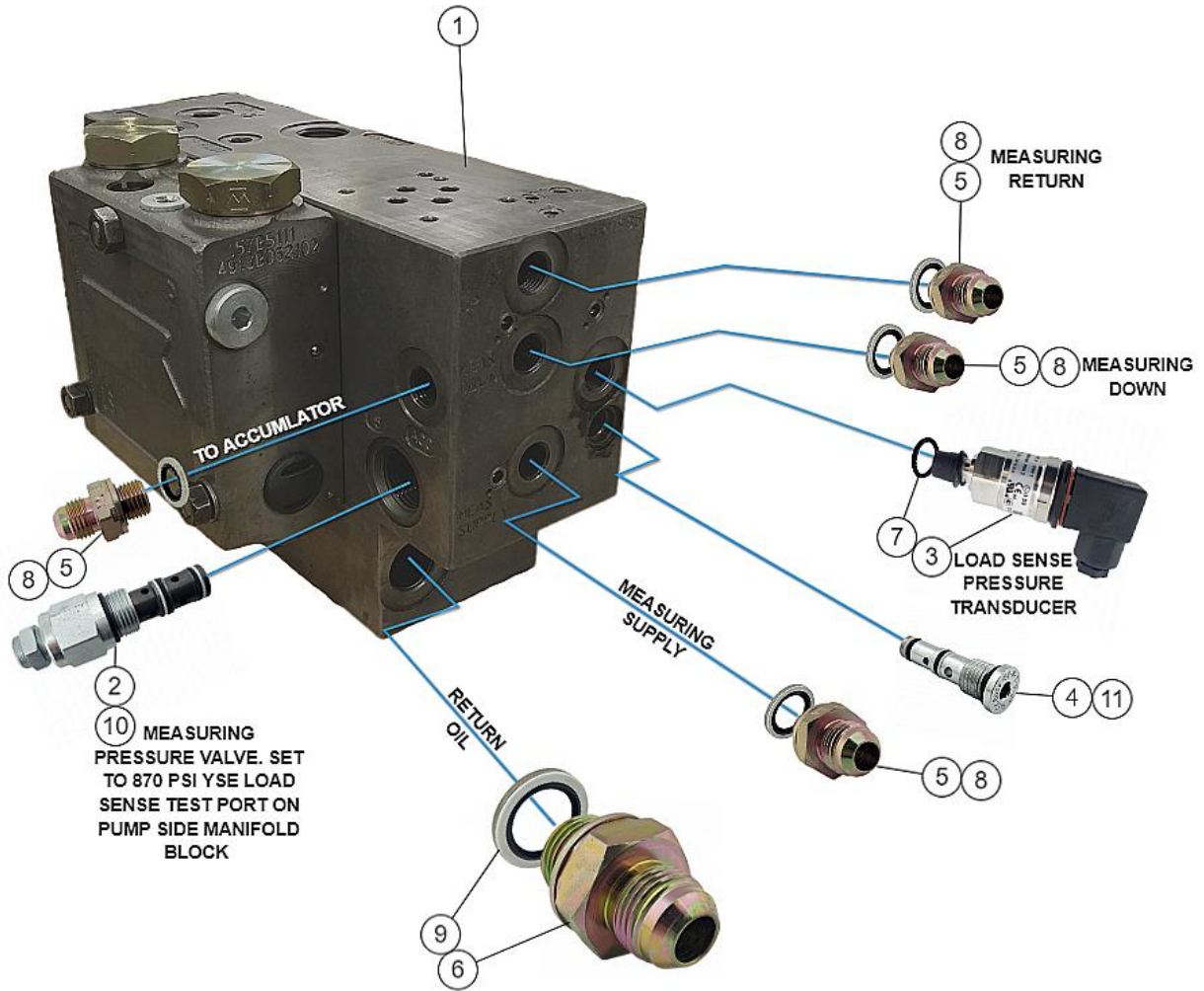
Measuring/Top Saw Manifold Part 3

No.	Axis Part No	Qty	Description	Notes
1	HV622101	1	MEASURING/TOP SAW MANIFOLD	
2	HV290847	1	SOLENOID VALVE ASSEMBLY	MEASURING WHEEL DOWN/UP
3	HV290848	1	COIL	
4	HV290849	1	NUT	
5	GFB80530	4	BOLT - 5 X 30MM SOCKET HEAD	
6	SK700412	1	SEAL KIT	
7	HV350835	1	CARTRIDGE VALVE	TOP SAW OILER PRV (SEE NOTE 1)
8	HV350828	1	CARTRIDGE VALVE	TOP SAW OILER FLOW CONTROL (SEE NOTE 2)
9	HV350826	1	CARTRIDGE VALVE	TOP SAW BAR DOWN SPEED CONTROL (SEE NOTE 2)
10	HF18TP	1	TEST PORT 1/8" BSPP	
11	HF14TP	3	TEST PORT 1/4" BSPP	
12	HF41-8	2	PLUG - BSPP# 8 - ALLEN KEY	
13	HF14TPC	3	TEST PORT CAP	
14	HF2040-4-4	3	FITTING - #4 JIC MALE X #4 BSPP MALE	
15	HF4060-8-8	1	FITTING - #8 BSP MALE X #8 ORFS MALE	
16	R24323C	2	O-RING #8 ORFS	
17	BSP4	3	BSPP BONDED SEAL #4	
18	BSP8	2	BSPP BONDED SEAL #8	
19	ED2	1	SPECIAL BSPP SEAL #2	
20	ED4	3	SPECIAL BSPP SEAL #4	
21	ED8	2	VITON SEAL 1/2" BSPP	
22	SK351718	1	SEAL KIT	
23	SK351714	1	SEAL KIT	
24	SK350826	1	SEAL KIT	
	NOTE 1		TURN CLOCKWISE TO INCREASE PRESSURE	TURN COUNTER CLOCKWISE TO REDUCE PRESSURE
	NOTE 2		TURN CLOCKWISE TO REDUCE FLOW	TURN COUNTER CLOCKWISE TO INCREASE FLOW

\*All manufacturers names, numbers, marks, trademarks and symbols and descriptions are used for reference purposes only. Use of parts not supplied from the original manufacturer on machines under manufacturer warranty could potentially void your manufacturer warranty. Machined parts are built by Axis, not the original manufacturer.

Measuring/Top Saw Manifold Part 4

**RIGHT VIEW**  
**SERIAL NUMBERS**  
513-784



\*All manufacturers names, numbers, marks, trademarks and symbols and descriptions are used for reference purposes only. Use of parts not supplied from the original manufacturer on machines under manufacturer warranty could potentially void your manufacturer warranty. Machined parts are built by Axis, not the original manufacturer.

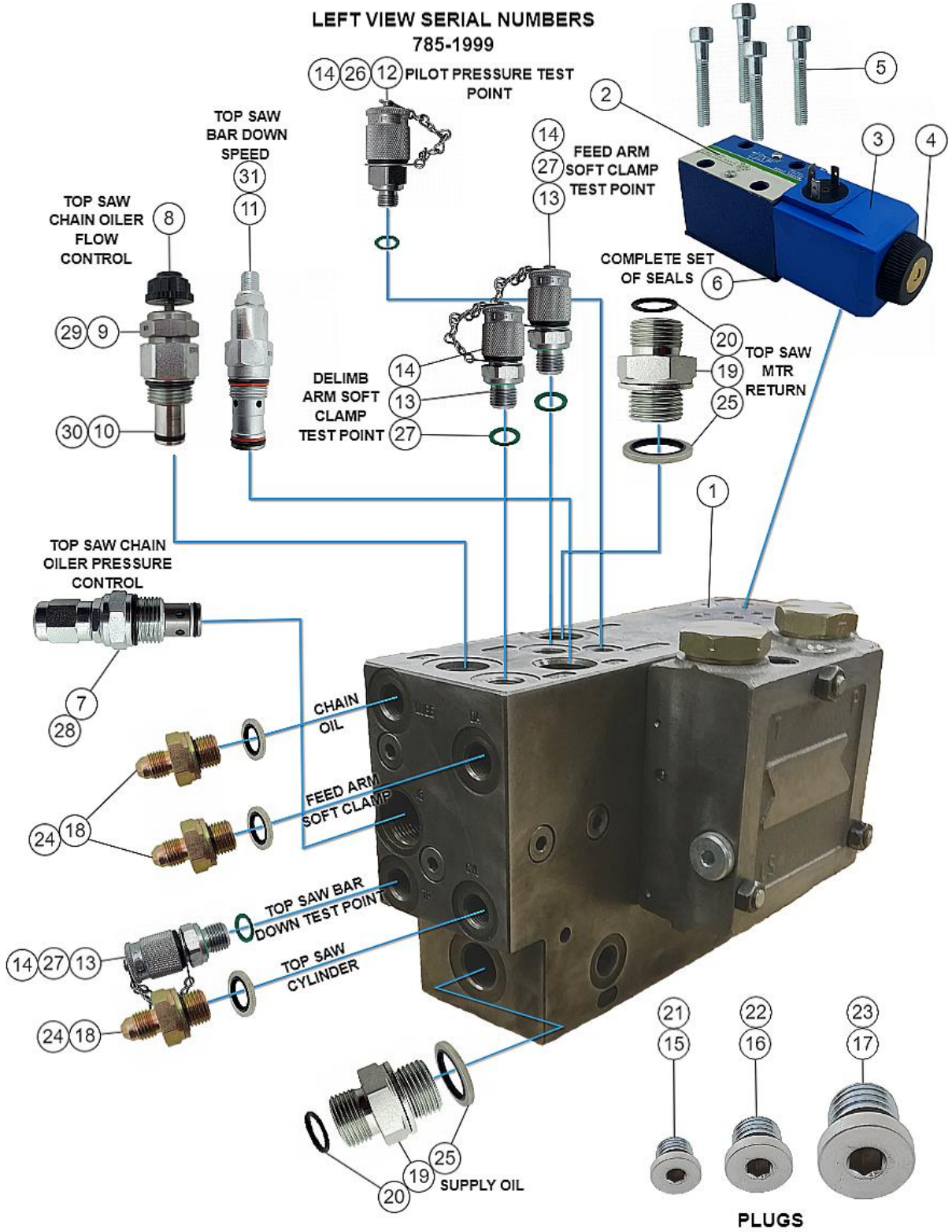
Measuring/Top Saw Manifold Part 4

No.	Axis Part No	Qty	Description	Notes
1	HV622101	1	MEASURING/TOP SAW MANIFOLD	
2	HV350841	1	CARTRIDGE VALVE	TURN CLOCKWISE TO INCREASE PRESSURE
3	EP622060	1	LOAD SENSE PRESSURE ELECTRONIC SENSOR	OPTIONAL
4	HV350824	1	SHUTTLE VALVE	
5	HF2040-6-4	4	FITTING - #6 JIC MALE X #4 BSPP MALE	
6	HF2040-8-8	1	FITTING - #8 JIC MALE X #8 BSPP MALE	
7	R24323C	1	O-RING #8 ORFS	
8	BSP4	4	BSPP BONDED SEAL #4	
9	BSP8	1	BSPP BONDED SEAL #8	
10	SK351716	1	SEAL KIT	
11	SK350824	1	SEAL KIT	

\*All manufacturers names, numbers, marks, trademarks and symbols and descriptions are used for reference purposes only. Use of parts not supplied from the original manufacturer on machines under manufacturer warranty could potentially void your manufacturer warranty. Machined parts are built by Axis, not the original manufacturer.



Measuring/Top Saw Manifold Part 5



\*All manufacturers names, numbers, marks, trademarks and symbols and descriptions are used for reference purposes only. Use of parts not supplied from the original manufacturer on machines under manufacturer warranty could potentially void your manufacturer warranty. Machined parts are built by Axis, not the original manufacturer.

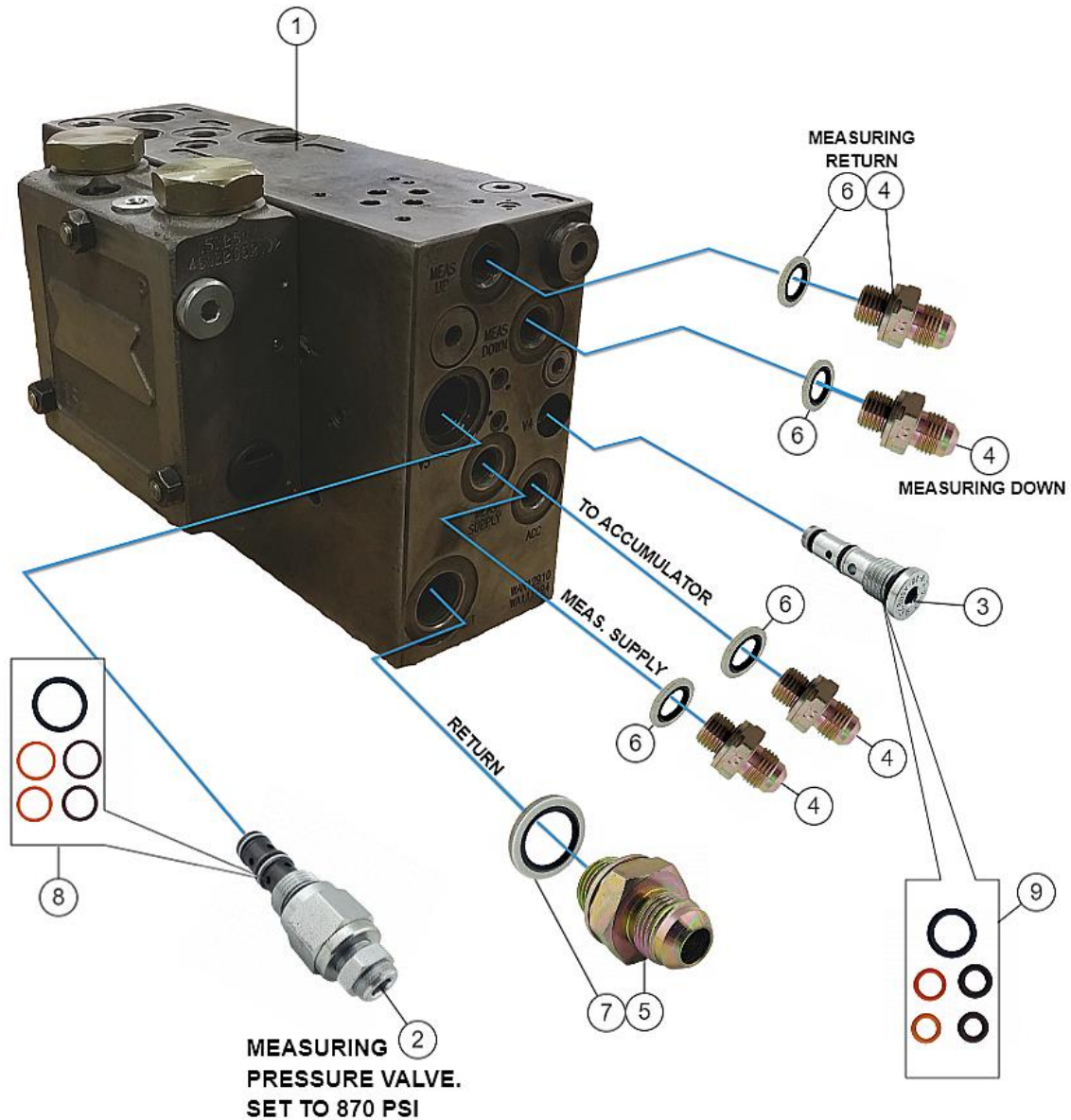


Measuring/Top Saw Manifold Part 5

No.	Axis Part No	Qty	Description	Notes
1	HV622101	1	MEASURING/TOP SAW MANIFOLD	
2	HV290847	1	SOLENOID VALVE ASSEMBLY	MEASURING WHEEL DOWN/UP
3	HV290848	1	COIL	
4	HV290849	1	NUT	
5	GFB80530	4	BOLT - 5 X 30MM SOCKET HEAD	
6	SK700412	1	SEAL KIT	
7	HV350835	1	CARTRIDGE VALVE	TOP SAW OILER PRV
8	HV350221	1	CARTRIDGE VALVE ASSEMBLY TOP SAW OILER FLOW	INCLUDES 9 & 10, COMPLETE
9	HV350796	1	CARTRIDGE VALVE	TOP SAW OILER FLOW CONTROL (SEE NOTE)
10	HV350798	1	ADAPTER	ADAPTER FITTING FOR FLOW CONTROL
11	HV350826	1	CARTRIDGE VALVE	TOP SAW BAR DOWN SPEED CONTROL (SEE NOTE)
12	HF18TP	1	TEST PORT 1/8" BSPP	
13	HF14TP	3	TEST PORT 1/4" BSPP	
14	HF14TPC	3	TEST PORT CAP	
15	HF81-02	1	ZERO LEAK PORT PLUG	
16	HF81-04	1	ZERO LEAK PORT PLUG	
17	HF81-08	1	ZERO LEAK PORT PLUG	
18	HF2040-4-4	3	FITTING - #4 JIC MALE X #4 BSPP MALE	
19	HF4060-8-8	2	FITTING - #8 BSPP MALE X #8 ORFS MALE	
20	R24323C	2	O-RING #8 ORFS	
21	T159367A	1	O RING	
22	T139367A	1	O RING	
23	T235395A	1	O RING	
24	BSP4	3	BSPP BONDED SEAL #4	
25	BSP8	2	BSPP BONDED SEAL #8	
26	ED2	1	SPECIAL BSPP SEAL #2	
27	ED4	3	SPECIAL BSPP SEAL #4	
28	SK351718	1	SEAL KIT	
29	SK351718	1	SEAL KIT	
30	SK350798	1	SEAL KIT	
31	SK350826	1	SEAL KIT	
			NOTE: TURN CLOCKWISE TO REDUCE FLOW	TURN COUNTERCLOCKWISE TO INCREASE FLOW

\*All manufacturers names, numbers, marks, trademarks and symbols and descriptions are used for reference purposes only. Use of parts not supplied from the original manufacturer on machines under manufacturer warranty could potentially void your manufacturer warranty. Machined parts are built by Axis, not the original manufacturer.

**RIGHT VIEW**  
**SERIAL NUMBER**  
785-1999



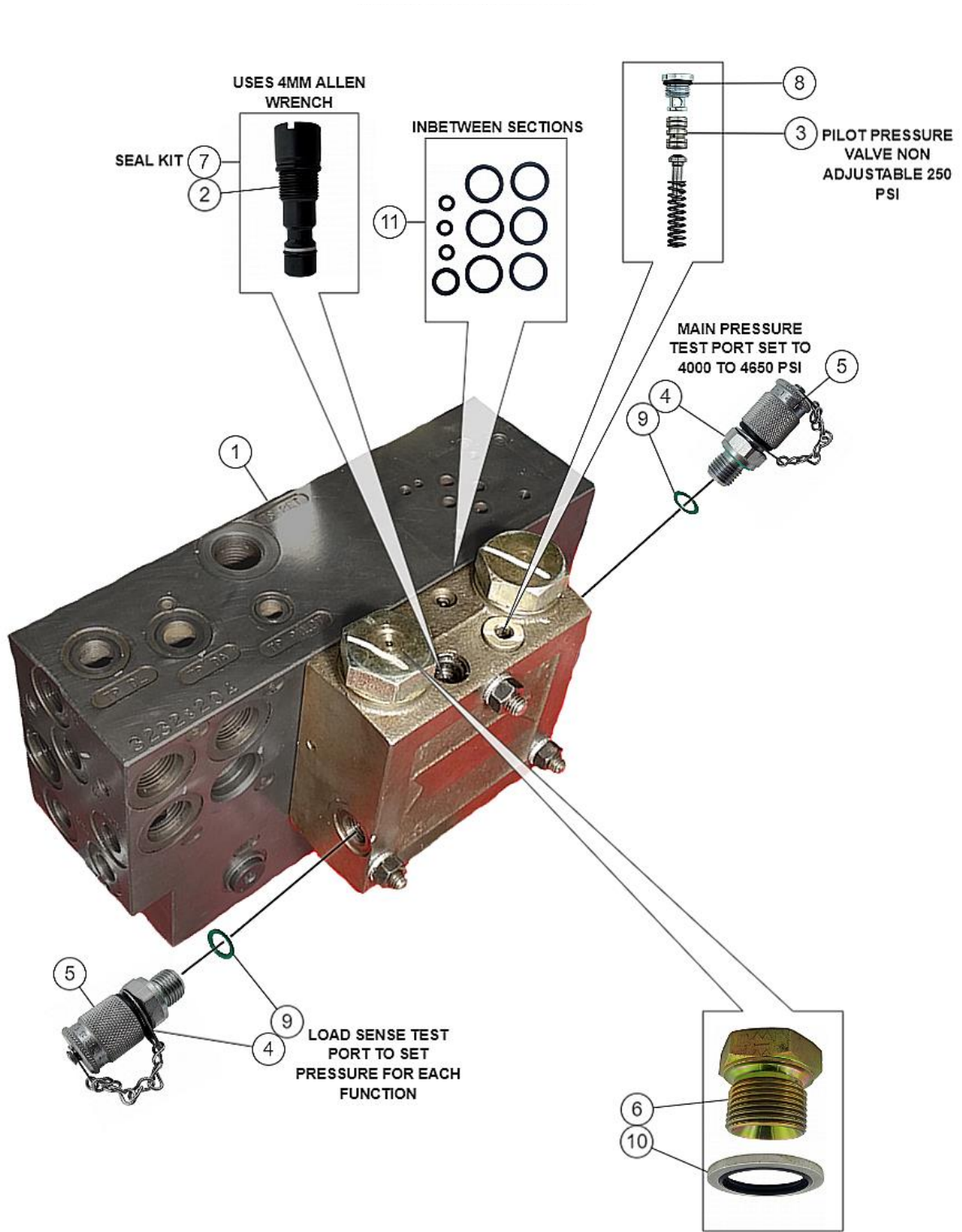
\*All manufacturers names, numbers, marks, trademarks and symbols and descriptions are used for reference purposes only. Use of parts not supplied from the original manufacturer on machines under manufacturer warranty could potentially void your manufacturer warranty. Machined parts are built by Axis, not the original manufacturer.

Measuring/Top Saw Manifold Part 6

No.	Axis Part No	Qty	Description	Notes
1	HV622101	1	MEASURING/TOP SAW MANIFOLD	
2	HV350841	1	CARTRIDGE VALVE	TURN CLOCKWISE TO INCREASE PRESSURE
3	HV350824	1	SHUTTLE VALVE	
4	HF2040-6-4	4	FITTING - #6 JIC MALE X #4 BSPP MALE	
5	HF2040-8-8	1	FITTING - #8 JIC MALE X #8 BSPP MALE	
6	BSP4	4	BSPP BONDED SEAL #4	
7	BSP8	1	BSPP BONDED SEAL #8	
8	SK351716	1	SEAL KIT	
9	SK350824	1	SEAL KIT	

\*All manufacturers names, numbers, marks, trademarks and symbols and descriptions are used for reference purposes only. Use of parts not supplied from the original manufacturer on machines under manufacturer warranty could potentially void your manufacturer warranty. Machined parts are built by Axis, not the original manufacturer.

Pump Side Manifold



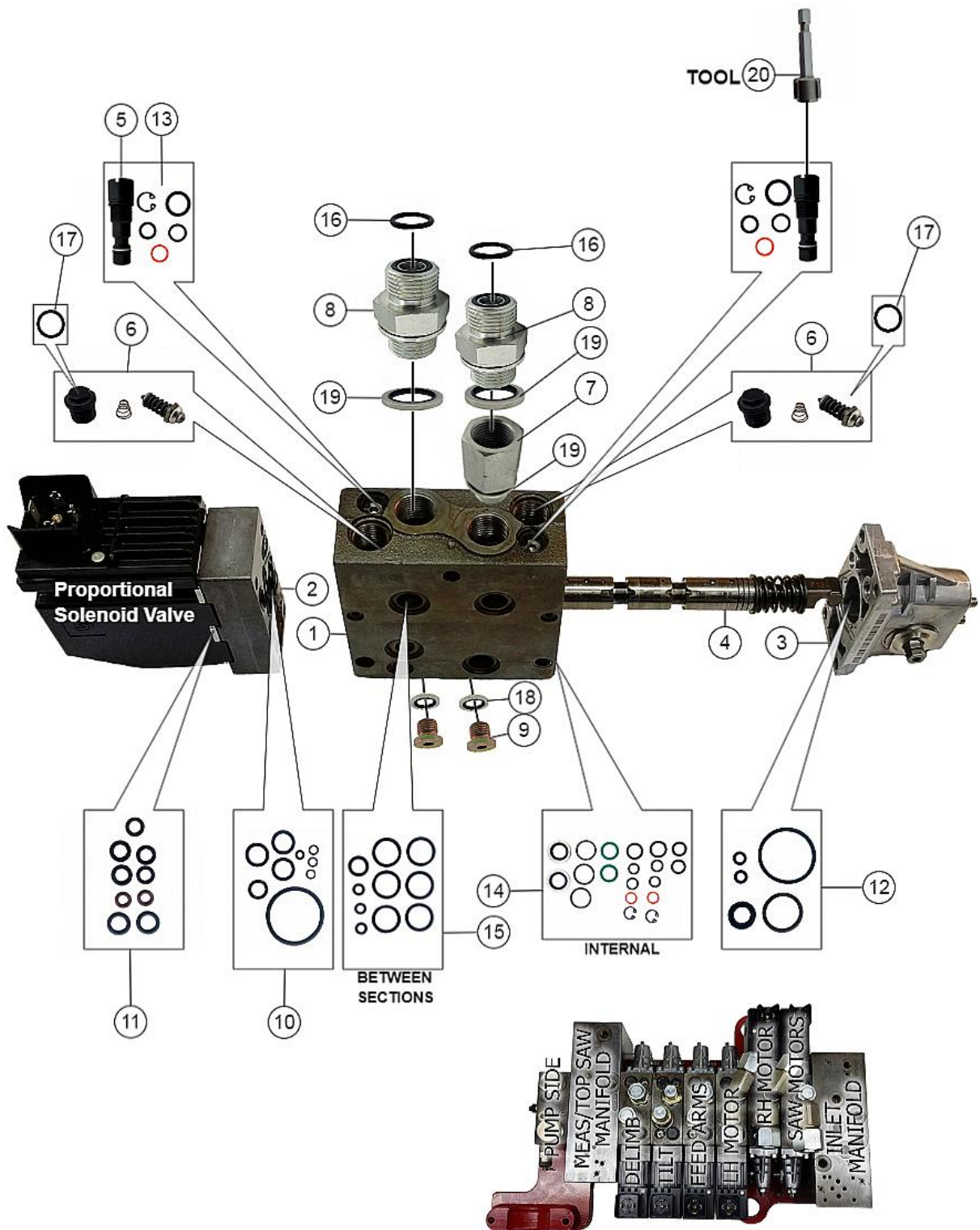
\*All manufacturers names, numbers, marks, trademarks and symbols and descriptions are used for reference purposes only. Use of parts not supplied from the original manufacturer on machines under manufacturer warranty could potentially void your manufacturer warranty. Machined parts are built by Axis, not the original manufacturer.

Pump Side Manifold

No.	Axis Part No	Qty	Description	Notes
1	HV225111	1	PUMP SIDE MANIFOLD	
2	HV290905	1	LOAD SENSE VALVE	CARRIER PRESSURE REDUCING VALVE
3	HV295157	1	PILOT PRESSURE VALVE	
4	HF14TP	2	TEST PORT 1/4" BSPP	
5	HF14TPC	2	TEST PORT CAP	
6	HF40-12	2	FITTING - HEX PLUG #12 BSPP	
7	SK700341	1	SEAL KIT - LOAD SENSE VALVES	USE HV290905T TOOL TO REMOVE
8	T189417C	1	O-RING	
9	ED4	1	SPECIAL BSPP SEAL #4	
10	BSP12	2	BSPP BONDED SEAL #12	
11	SK228999	1	SEAL KIT - BETWEEN 1 SECTION	

\*All manufacturers names, numbers, marks, trademarks and symbols and descriptions are used for reference purposes only. Use of parts not supplied from the original manufacturer on machines under manufacturer warranty could potentially void your manufacturer warranty. Machined parts are built by Axis, not the original manufacturer.

Delimb Manifold



\*All manufacturers names, numbers, marks, trademarks and symbols and descriptions are used for reference purposes only. Use of parts not supplied from the original manufacturer on machines under manufacturer warranty could potentially void your manufacturer warranty. Machined parts are built by Axis, not the original manufacturer.

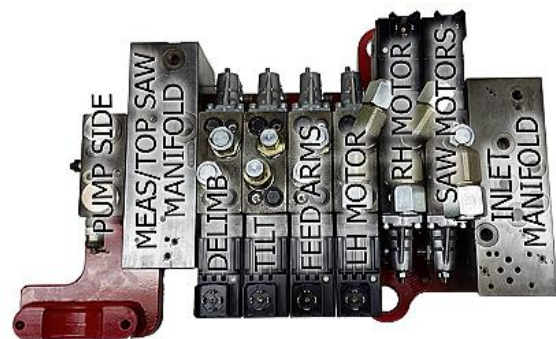
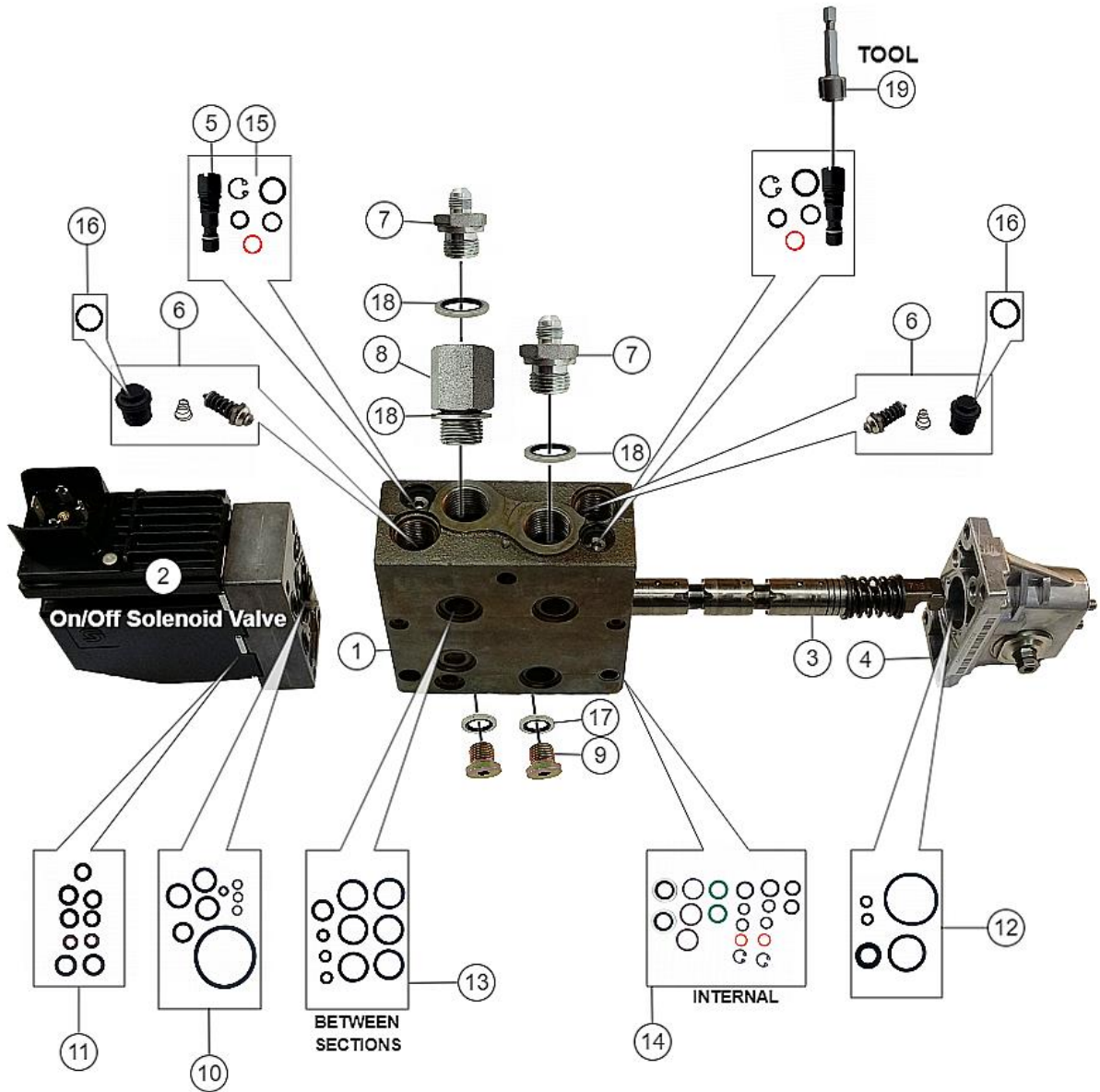


Delimb Manifold

No.	Axis Part No	Qty	Description	Notes
1	HV226233	1	DELIJMB VALVE MANIFOLD	
2	HC224333	1	VALVE/COIL - PROPORTIONAL	
3	HC223173	1	MANUAL ACTUATOR CAP	
4	HV299550	1	SPOOL - DELIMB	
5	HV290905	2	LOAD SENSE VALVE	
6	HV292210	2	SHOCK VALVE - 210 BAR	
7	HF4050-8-8	1	FITTING - SOLID NON SWIVELLING	
8	HF4060-8-8	2	FITTING - #8 BSPP MALE X #8 ORFS MALE	
9	HF41-4	2	PLUG - #4 BSPP ROUND ALLEN HEAD	
10	SK224033	1	SEAL KIT - PROPORTIONAL & ON/OFF VALVE	
11	SK224033B	1	SEAL KIT - ON/OFF & PROPORTIONAL VALVE	INTERNAL
12	SK223173	1	SEAL KIT - MANUAL ACTUATOR CAP	
13	SK700341	2	SEAL KIT - LOAD SENSE VALVES	
14	SK226233	1	SEAL KIT - VALVE MANIFOLD	
15	SK228999	1	SEAL KIT - PVG32 BETWEEN SECTIONS	
16	R24323C	2	O-RING - #8 ORFS	
17	T235395C	2	O-RING - SHOCK VALVE CAPS	
18	BSP4	2	BSPP BONDED SEAL, #4	
19	BSP8	2	BSPP BONDED SEAL - #8	
20	AT100107	1	LOAD SENSE VALVE REMOVAL TOOL	

\*All manufacturers names, numbers, marks, trademarks and symbols and descriptions are used for reference purposes only. Use of parts not supplied from the original manufacturer on machines under manufacturer warranty could potentially void your manufacturer warranty. Machined parts are built by Axis, not the original manufacturer.

Tilt Manifold



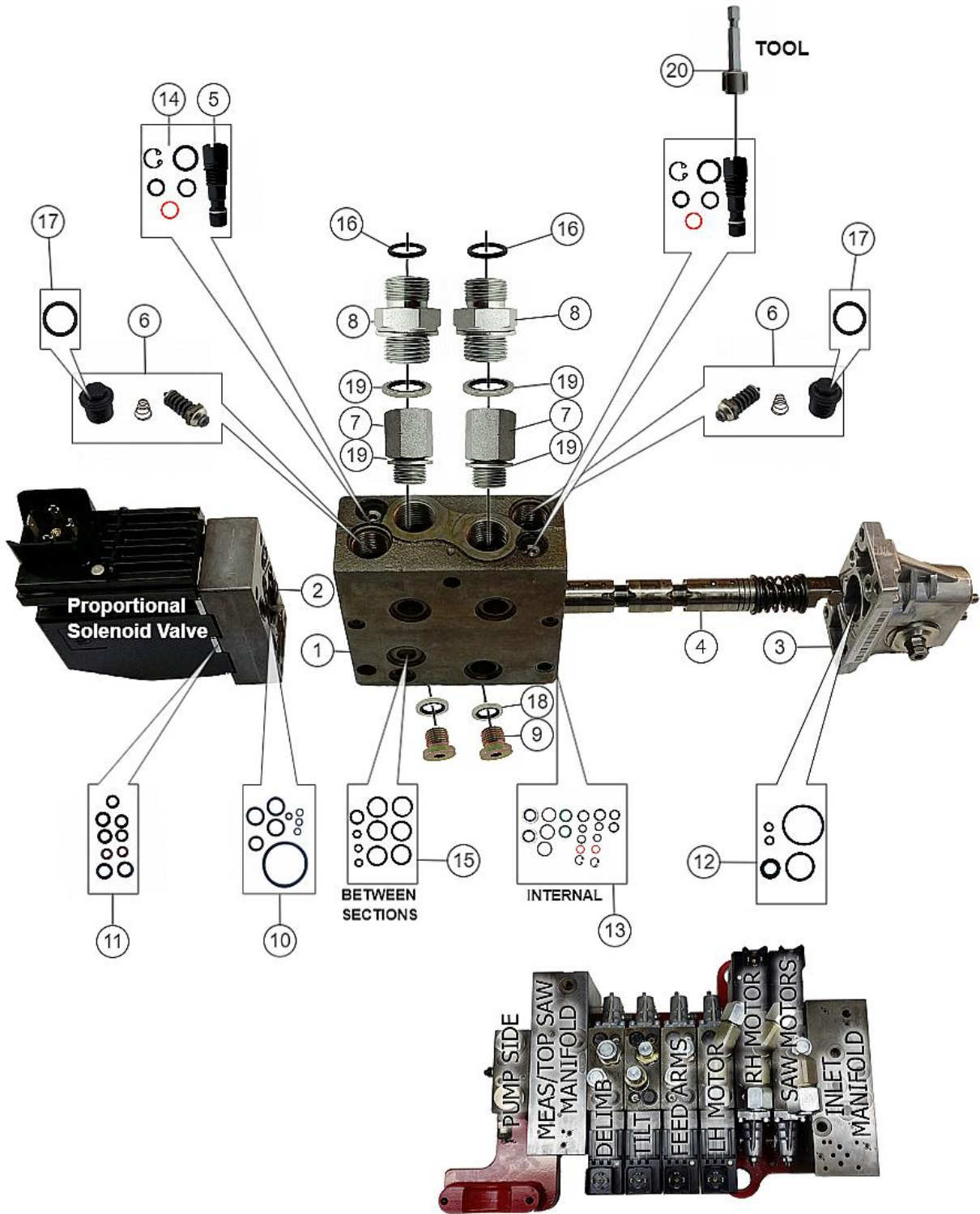
\*All manufacturers names, numbers, marks, trademarks and symbols and descriptions are used for reference purposes only. Use of parts not supplied from the original manufacturer on machines under manufacturer warranty could potentially void your manufacturer warranty. Machined parts are built by Axis, not the original manufacturer.

Tilt Manifold

No.	Axis Part No	Qty	Description	Notes
1	HV226233	1	TILT VALVE MANIFOLD	
2	HC224328	1	VALVE - ON/OFF	
3	HV297121	1	SPOOL - TILT	
4	HC223173	1	MANUAL ACTUATOR CAP	
5	HV290905	2	LOAD SENSE VALVE	
6	HV292210	2	SHOCK VALVE - 210 BAR	
7	HF2040-6-8	2	FITTING - #6 JIC MALE X #8 BSPP MALE	
8	HF4050-8-8	1	FITTING - SOLID NON SWIVELLING	
9	HF41-4	2	PLUG - #4 BSPP ROUND ALLEN HEAD	
10	SK224033	1	SEAL KIT - PROPORTIONAL & ON/OFF VALVE	
11	SK224033B	1	SEAL KIT - ON/OFF & PROPORTIONAL VALVE	INTERNAL
12	SK223173	1	SEAL KIT - MANUAL ACTUATOR CAP	
13	SK700341	2	SEAL KIT - LOAD SENSE VALVES	
14	SK226233	1	SEAL KIT - VALVE MANIFOLD	
15	SK228999	1	SEAL KIT - MANIFOLD BETWEEN SECTIONS	
16	T235395C	2	O-RING - SHOCK VALVE CAPS	
17	BSP4	2	BSPP BONDED SEAL #4	
18	BSP8	2	BSPP BONDED SEAL #8	
19	AT100107	1	LOAD SENSE VALVE REMOVAL TOOL	

\*All manufacturers names, numbers, marks, trademarks and symbols and descriptions are used for reference purposes only. Use of parts not supplied from the original manufacturer on machines under manufacturer warranty could potentially void your manufacturer warranty. Machined parts are built by Axis, not the original manufacturer.

Feed Arm Manifold



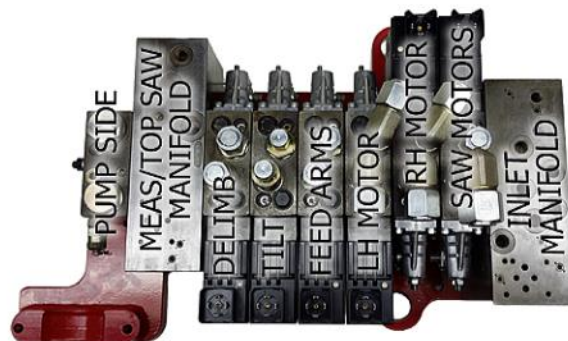
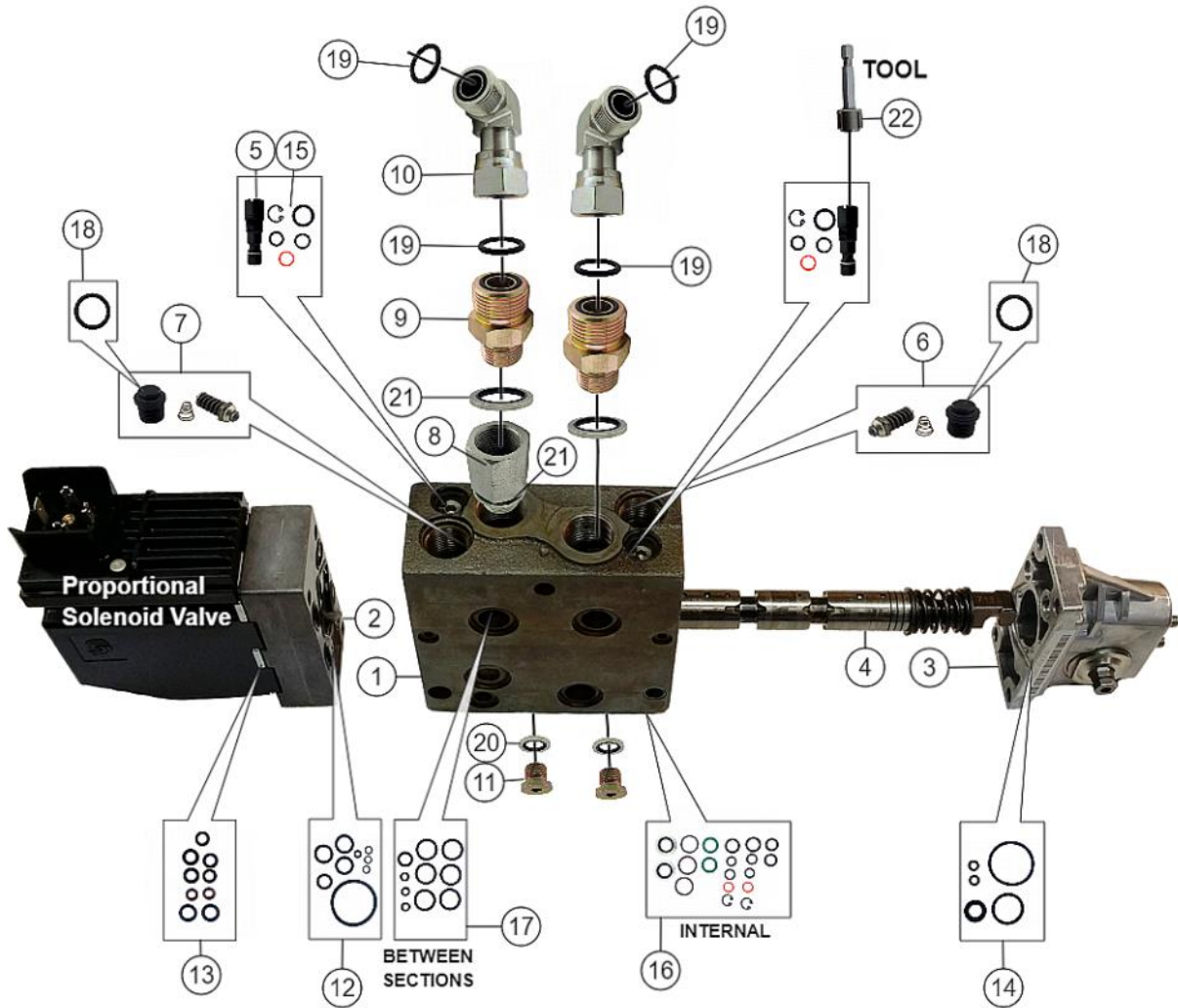
\*All manufacturers names, numbers, marks, trademarks and symbols and descriptions are used for reference purposes only. Use of parts not supplied from the original manufacturer on machines under manufacturer warranty could potentially void your manufacturer warranty. Machined parts are built by Axis, not the original manufacturer.

Feed Arm Manifold

No.	Axis Part No	Qty	Description	Notes
1	HV226233	1	FEED ARM VALVE MANIFOLD	
2	HC224333	1	VALVE/COIL - PROPORTIONAL	
3	HC223173	1	MANUAL ACTUATOR CAP	
4	HV299550	1	SPOOL - FEED ARM	
5	HV290905	2	LOAD SENSE VALVE	
6	HV292265	2	SHOCK VALVE - 265 BAR	
7	HF4050-8-8	1	FITTING, BSPP #8 MALE X BSPP #8 FEMALE	
8	HF4060-8-8	2	FITTING - #8 BSPP MALE X #8 ORFS MALE	
9	HF41-4	2	PLUG - #4 BSPP ROUND ALLEN HEAD	
10	SK224033	1	SEAL KIT - PROPORTIONAL & ON/OFF VALVE	
11	SK224033B	1	SEAL KIT - ON/OFF & PROPORTIONAL VALVE	
12	SK223173	1	SEAL KIT - MANUAL ACTUATOR CAP	INTERNAL
13	SK226233	1	SEAL KIT - VALVE MANIFOLD	
14	SK700341	2	SEAL KIT - LOAD SENSE VALVES	
15	SK228999	1	SEAL KIT - MANIFOLD BETWEEN SECTIONS	
16	R24323C	2	O-RING #8 ORFS	
17	T235395C	2	O-RING - SHOCK VALVE CAPS	
18	BSP4	2	BSPP BONDED SEAL #4	
19	BSP8	2	BSPP BONDED SEAL #8	
20	AT100107	1	LOAD SENSE VALVE REMOVAL TOOL	

\*All manufacturers names, numbers, marks, trademarks and symbols and descriptions are used for reference purposes only. Use of parts not supplied from the original manufacturer on machines under manufacturer warranty could potentially void your manufacturer warranty. Machined parts are built by Axis, not the original manufacturer.

Left Feed Motor Manifold



\*All manufacturers names, numbers, marks, trademarks and symbols and descriptions are used for reference purposes only. Use of parts not supplied from the original manufacturer on machines under manufacturer warranty could potentially void your manufacturer warranty. Machined parts are built by Axis, not the original manufacturer.

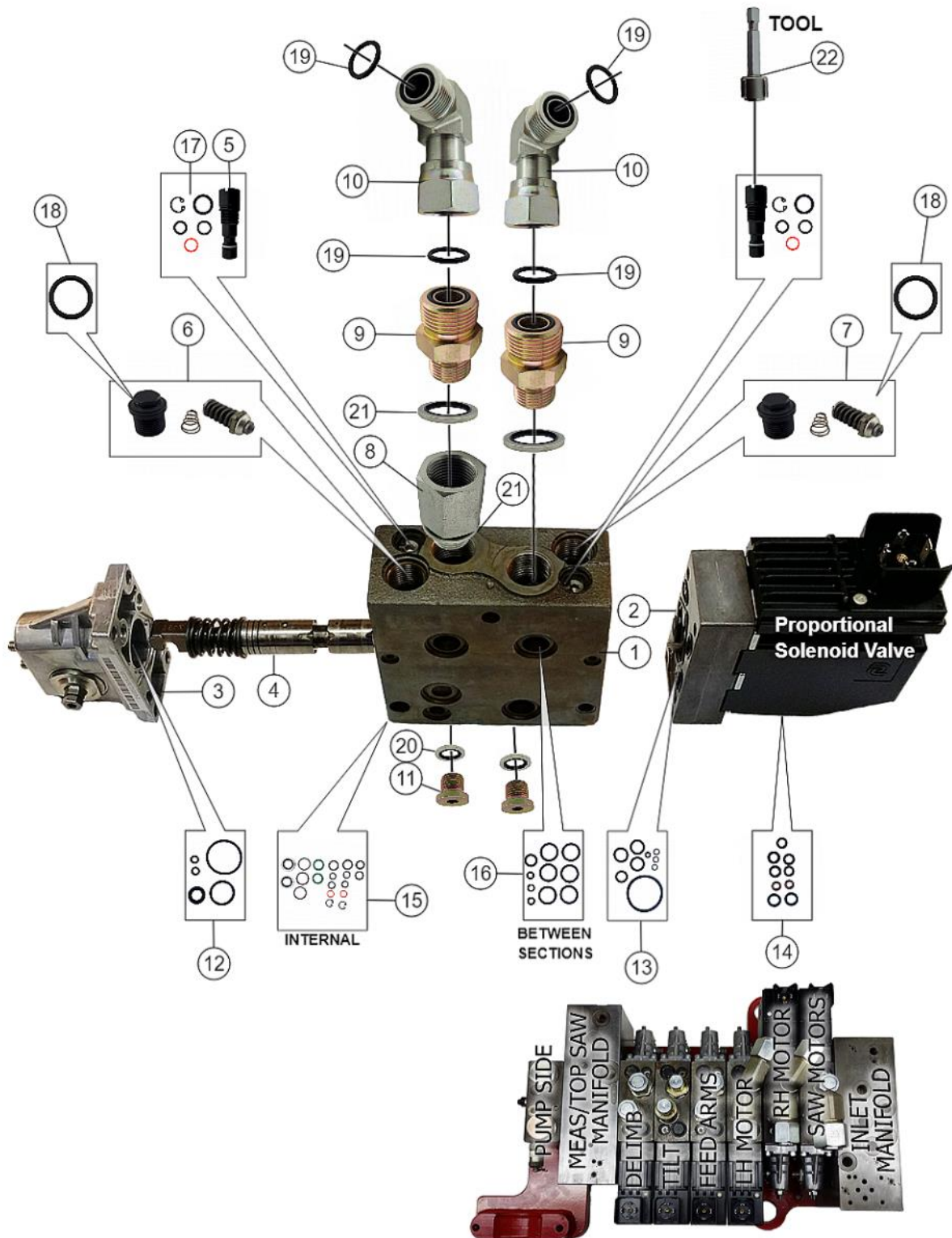


Left Feed Motor Manifold

No.	Axis Part No	Qty	Description	Notes
1	HV226233	1	LEFT MOTOR VALVE MANIFOLD	
2	HC224333	1	VALVE/COIL - PROPORTIONAL	
3	HC223173	1	MANUAL ACTUATOR CAP	
4	HV297026	1	SPOOL - DRIVE MOTOR	
5	HV290905	2	LOAD SENSE VALVE	
6	HV292265	1	SHOCK VALVE - 265 BAR	
7	HV292320	1	SHOCK VALVE - 320 BAR	
8	HF4050-8-8	1	FITTING - SOLID NON SWIVELLING	
9	HF4060-8-10	2	FITTING - #8 BSPP MALE X #10 ORFS MALE	
10	HF7969-10-10	2	FITTING - #10 ORFS M X #10 ORFS FEMALE 90°	
11	HF41-4	2	PLUG - #4 BSPP ROUND ALLEN HEAD	
12	SK224033	1	SEAL KIT - PROPORTIONAL & ON/OFF VALVE	
13	SK224033B	1	SEAL KIT - ON/OFF & PROPORTIONAL VALVE	INTERNAL
14	SK223173	1	SEAL KIT - MANUAL ACTUATOR CAP	
15	SK700341	2	SEAL KIT - LOAD SENSE VALVES	
16	SK226233	1	SEAL KIT - VALVE MANIFOLD	
17	SK228999	1	SEAL KIT - MANIFOLD BETWEEN SECTIONS	
18	T235395C	2	O-RING - SHOCK VALVE CAPS	
19	R24325C	2	O-RING #10 ORFS	
20	BSP4	2	BSPP BONDED SEAL #4	
21	BSP8	3	BSPP BONDED SEAL #8	
22	AT100107	1	LOAD SENSE VALVE REMOVAL TOOL	

\*All manufacturers names, numbers, marks, trademarks and symbols and descriptions are used for reference purposes only. Use of parts not supplied from the original manufacturer on machines under manufacturer warranty could potentially void your manufacturer warranty. Machined parts are built by Axis, not the original manufacturer.

Right Feed Motor Manifold



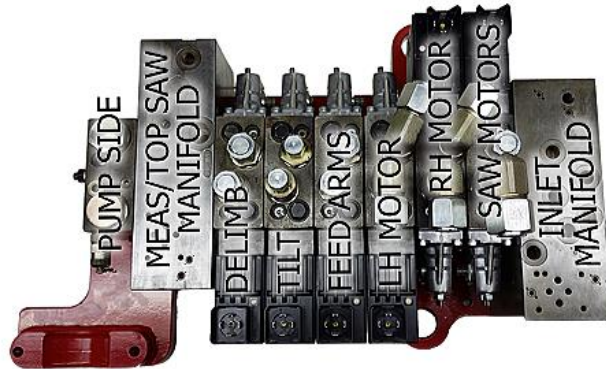
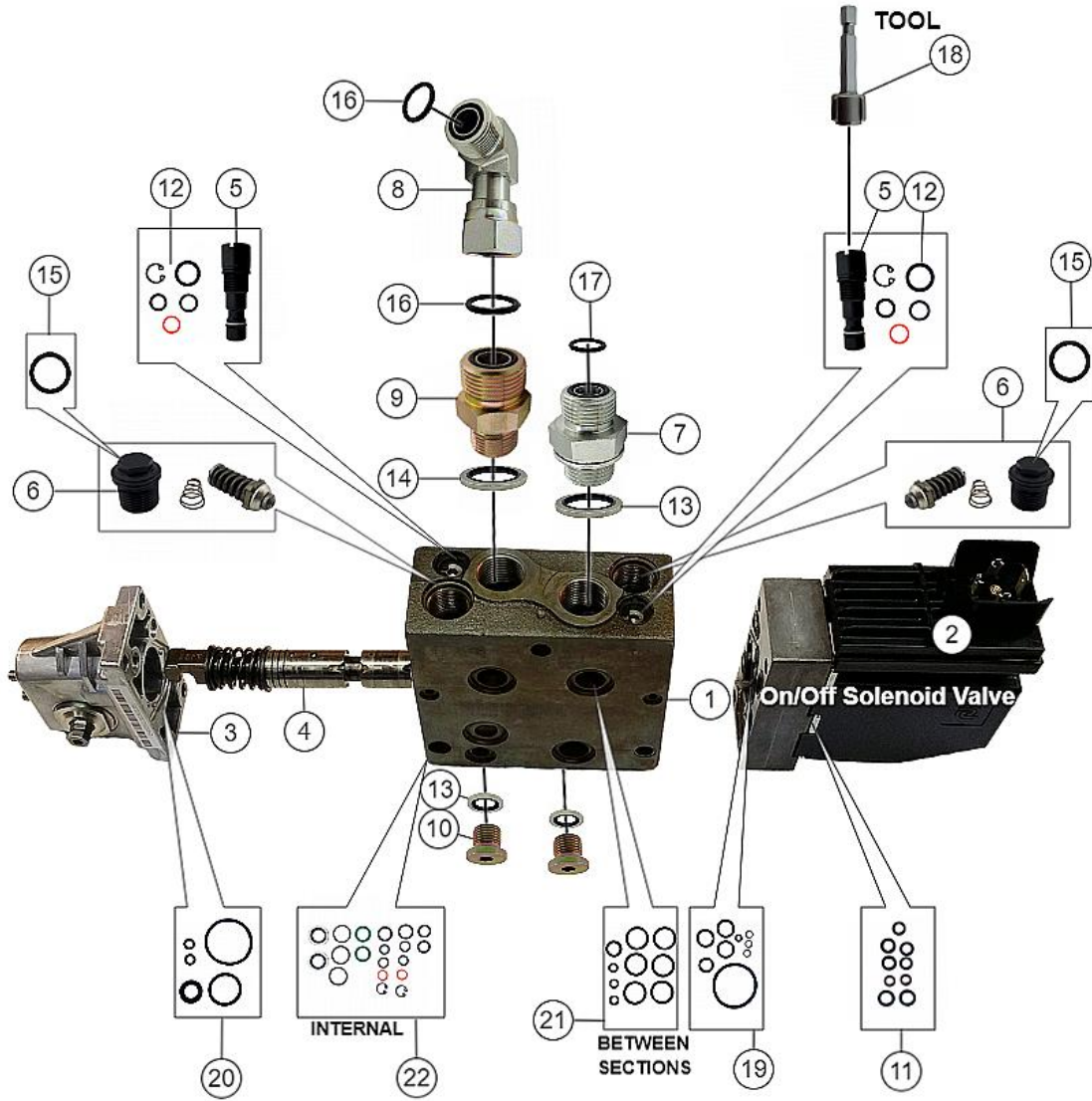
\*All manufacturers names, numbers, marks, trademarks and symbols and descriptions are used for reference purposes only. Use of parts not supplied from the original manufacturer on machines under manufacturer warranty could potentially void your manufacturer warranty. Machined parts are built by Axis, not the original manufacturer.

Right Feed Motor Manifold

No.	Axis Part No	Qty	Description	Notes
1	HV226233	1	RIGHT MOTOR VALVE MANIFOLD	
2	HC224333	1	VALVE/COIL - PROPORTIONAL	
3	HC223173	1	MANUAL ACTUATOR	
4	HV297026	1	SPOOL - DRIVE MOTOR	
5	HV290905	2	LOAD SENSE VALVE	
6	HV292265	1	SHOCK VALVE - 265 BAR	
7	HV292320	1	SHOCK VALVE - 320 BAR	
8	HF4050-8-8	1	FITTING - SOLID NON SWIVELLING	
9	HF4060-8-10	2	FITTING - #8 BSP MALE X #10 ORFS MALE	
10	HF7969-10-10	2	FITTING - #10 ORFS M X #10 ORFS FEMALE 90°	
11	HF41-4	2	PLUG - #4 BSP ROUND ALLEN HEAD	
12	SK224033	1	SEAL KIT - PROPORTIONAL & ON/OFF VALVE	
13	SK224033B	1	SEAL KIT - ON/OFF & PROPORTIONAL VALVE	INTERNAL
14	SK223173	1	SEAL KIT - MANUAL ACTUATOR CAP	
15	SK700341	1	SEAL KIT - LOAD SENSE VALVES	
16	SK226233	1	SEAL KIT - VALVE MANIFOLD	
17	SK228999	1	SEAL KIT - MANIFOLD BETWEEN SECTIONS	
18	T235395C	2	O-RING - SHOCK VALVE CAPS	
19	R24325C	4	O-RING #10 ORFS	
20	BSP4	2	BSPP BONDED SEAL #4	
21	BSP8	2	BSPP BONDED SEAL #8	
22	AT100107	1	LOAD SENSE VALVE REMOVAL TOOL	

\*All manufacturers names, numbers, marks, trademarks and symbols and descriptions are used for reference purposes only. Use of parts not supplied from the original manufacturer on machines under manufacturer warranty could potentially void your manufacturer warranty. Machined parts are built by Axis, not the original manufacturer.

Saw Motors Manifold



\*All manufacturers names, numbers, marks, trademarks and symbols and descriptions are used for reference purposes only. Use of parts not supplied from the original manufacturer on machines under manufacturer warranty could potentially void your manufacturer warranty. Machined parts are built by Axis, not the original manufacturer.

Saw Motors Manifold

No.	Axis Part No	Qty	Description	Notes
1	HV226233	1	SAW MOTORS VALVE MANIFOLD	
2	HC224328	1	VALVE - ON/OFF	
3	HC223173	1	MANUAL ACTUATOR CAP	
4	HV297164	1	SPOOL - DRIVE MOTOR	
5	HV290905	2	LOAD SENSE VALVE	
6	HV292265	2	SHOCK VALVE - 265 BAR	
7	HF4060-8-8	1	FITTING - #8 BSPP MALE X #8 ORFS MALE	
8	HF7969-12-12	1	FITTING - #12 ORFS MALE X #12 ORFS FEMALE 90°	
9	HF4060-8-12	1	FITTING - #8 BSPP MALE X #12 ORFS MALE	
10	HF41-4	2	PLUG - #4 BSPP ROUND ALLEN HEAD	
11	SK224033B	1	SEAL KIT - ON/OFF & PROPORTIONAL VALVE	INTERNAL
12	SK700341	1	SEAL KIT - LOAD SENSE VALVES	
13	BSP4	2	BSPP BONDED SEAL #4	
14	BSP8	1	BSPP BONDED SEAL #8	
15	T235395C	2	O-RING - SHOCK VALVE CAPS	
16	R24327C	2	O-RING - #12 ORFS	
17	R24323C	1	O-RING #8 ORFS	
18	AT100107	1	LOAD SENSE VALVE REMOVAL TOOL	
19	SK224033	1	SEAL KIT - PROPORTIONAL & ON/OFF VALVE	
20	SK223173	1	SEAL KIT - MANUAL ACTUATOR CAP	
21	SK228999	1	SEAL KIT - MANIFOLD BETWEEN SECTIONS	
22	SK226233	1	SEAL KIT - MANIFOLD	

\*All manufacturers names, numbers, marks, trademarks and symbols and descriptions are used for reference purposes only. Use of parts not supplied from the original manufacturer on machines under manufacturer warranty could potentially void your manufacturer warranty. Machined parts are built by Axis, not the original manufacturer.







# HOSE & FITTINGS GROUP



	SERIAL NO. UP TO 784 NO FIXED MTR MANIFOLDS	SERIAL NO. 785+ WITH FIXED MTR MANIFOLDS
270' ROTATION SUPERCUT 100 .404 SAW	①	③
270' ROTATION 3/4" MAIN SAW	②	④
360' ROTATION SUPERCUT 100 .404 SAW		⑥
360' ROTATION 3/4" MAIN SAW		⑤

\*All manufacturers names, numbers, marks, trademarks and symbols and descriptions are used for reference purposes only. Use of parts not supplied from the original manufacturer on machines under manufacturer warranty could potentially void your manufacturer warranty. Machined parts are built by Axis, not the original manufacturer.

Axis Complete Hose Kits

No.	Axis Part No	Qty	Description	Notes
1	HK602-1	1	HOSE KIT - 622B WITH SUPERCUT 100 SAW	SERIAL -784
2	HK602-2	1	HOSE KIT - 622B WITH 3/4 SAW	SERIAL -784
3	HK602-3	1	HOSE KIT - 622B WITH SUPERCUT 100 SAW	SERIAL 785+
4	HK602-4	1	HOSE KIT - 622B WITH 3/4 SAW	SERIAL 785+
5	HK602-6	1	HOSE KIT - 622B WITH 3/4 SAW	EQUIPPED WITH 360° CONTINUOUS ROTATION
6	HK602-360	1	HOSE KIT - 622B WITH SUPERCUT 100 SAW	EQUIPPED WITH 360° CONTINUOUS ROTATION

\*All manufacturers names, numbers, marks, trademarks and symbols and descriptions are used for reference purposes only. Use of parts not supplied from the original manufacturer on machines under manufacturer warranty could potentially void your manufacturer warranty. Machined parts are built by Axis, not the original manufacturer.

## Hose Wrap



\*All manufacturers names, numbers, marks, trademarks and symbols and descriptions are used for reference purposes only. Use of parts not supplied from the original manufacturer on machines under manufacturer warranty could potentially void your manufacturer warranty. Machined parts are built by Axis, not the original manufacturer.

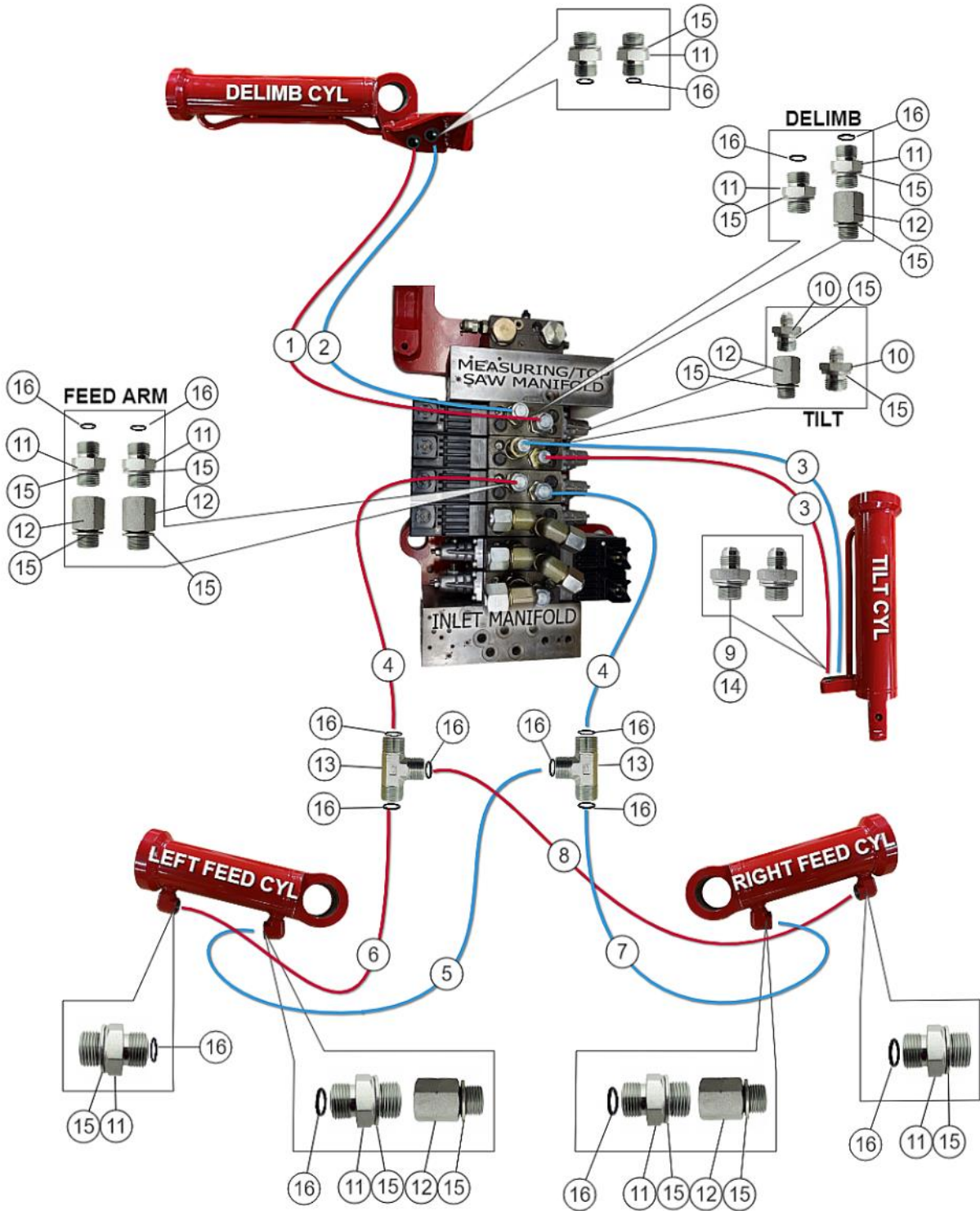
Hose Wrap

No.	Axis Part No	Qty	Description	Notes
1	OMNI-6	1	HOSE WRAP FITS #4 (1/4") HOSE	SOLD PER FOOT
2	OMNI-8	1	HOSE WRAP FITS #6 (3/8") HOSE	SOLD PER FOOT
3	OMNI-10	1	HOSE WRAP FITS #8 (1/2") HOSE	SOLD PER FOOT
4	OMNI-12	1	HOSE WRAP FITS #10 (5/8") HOSE	SOLD PER FOOT
5	OMNI-16	1	HOSE WRAP FITS #12 (3/4") HOSE	SOLD PER FOOT
6	OMNI-20	1	HOSE WRAP FITS #16 & #20 (1" TO 1-1/4") HOSE	SOLD PER FOOT
7	OMNI-48	1	BUNDLE WRAP 3" ID	SOLD PER FOOT

\*All manufacturers names, numbers, marks, trademarks and symbols and descriptions are used for reference purposes only. Use of parts not supplied from the original manufacturer on machines under manufacturer warranty could potentially void your manufacturer warranty. Machined parts are built by Axis, not the original manufacturer.



Axis Cylinder Hose and Fittings



\*All manufacturers names, numbers, marks, trademarks and symbols and descriptions are used for reference purposes only. Use of parts not supplied from the original manufacturer on machines under manufacturer warranty could potentially void your manufacturer warranty. Machined parts are built by Axis, not the original manufacturer.

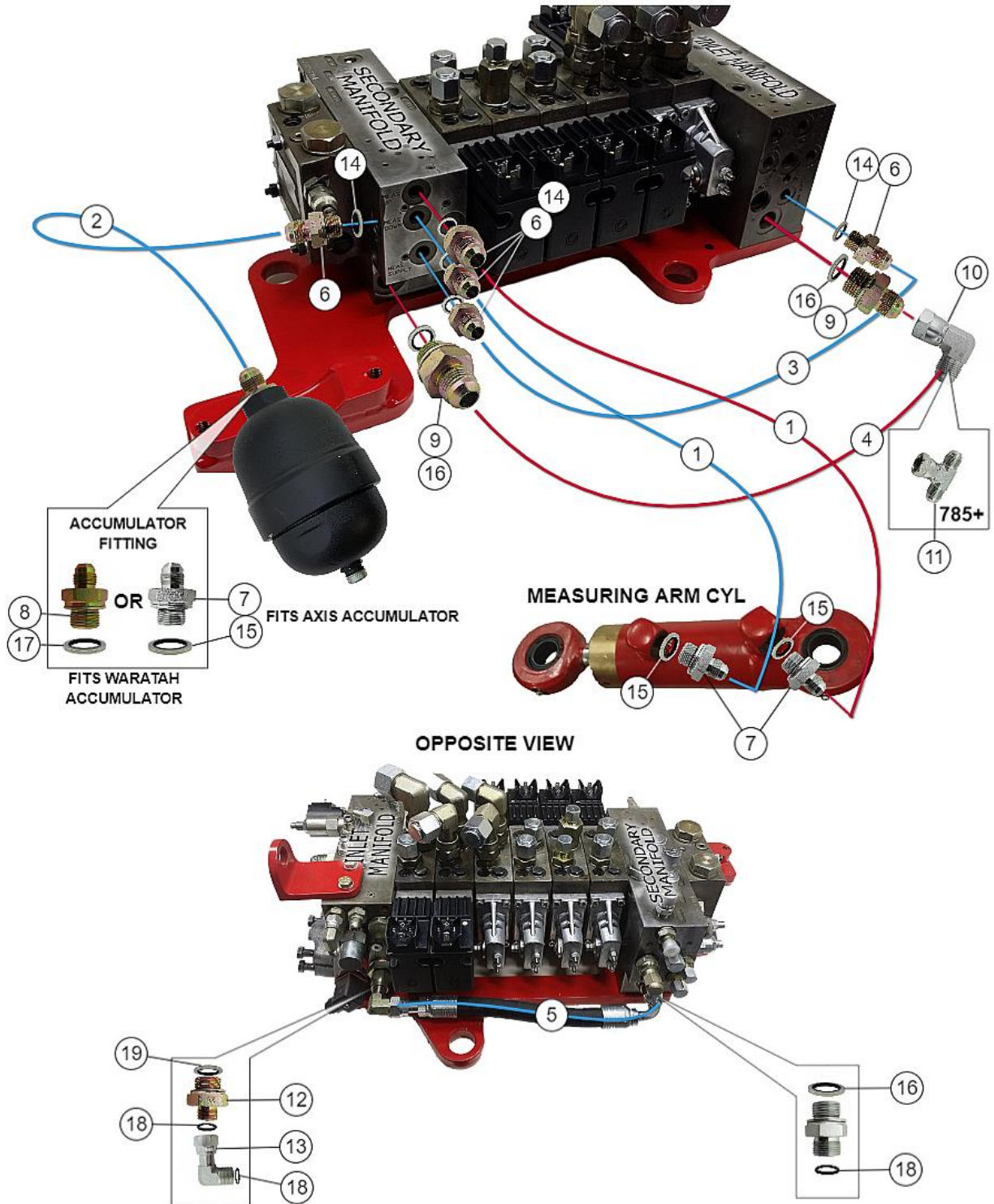


Axis Cylinder Hose and Fittings

No.	Axis Part No	Qty	Description	Notes
1	H6722040	1	HOSE - DELIMB OPEN	
2	H6722020	1	HOSE - DELIMB CLOSE	
3	H6311230	2	HOSE - TILT CYLINDER A & B PORTS	
4	H7210640	1	HOSE - FEED ARMS CYL	
5	H7211180	1	HOSE - FROM #5 TEE TO LH CYL BLANK END	VALVE BANK (B COIL SIDE) TO TEE - CLOSE
6	H7210930	1	HOSE - FROM #6 TEE TO LH CYL ROD END	
7	H7211110	1	HOSE - FROM #5 TEE TO RH CYL BLANK END	
8	H7211350	1	HOSE - FROM #6 TEE TO RH CYL ROD END	
9	HF2040-6-6	2	FITTING - #6 JIC MALE X #6 BSPP MALE	
10	HF2040-6-8	2	FITTING - #6 JIC MALE X #8 BSPP MALE	
11	HF4060-8-8	10	FITTING - #8 BSPP MALE X #8 ORFS MALE	
12	HF4050-8-8	6	FITTING - BSPP #8 MALE X BSPP #8 FEMALE	
13	HF606060-8-8-8	2	FITTING - #8 ORFS MALE 3 WAY TEE	
14	BSP6	2	BSPP BONDED SEAL #6	
15	BSP8	18	BSPP BONDED SEAL #8	
16	R24323C	16	O-RING #8 ORFS	

\*All manufacturers names, numbers, marks, trademarks and symbols and descriptions are used for reference purposes only. Use of parts not supplied from the original manufacturer on machines under manufacturer warranty could potentially void your manufacturer warranty. Machined parts are built by Axis, not the original manufacturer.

Axis Measuring Hoses and Fittings



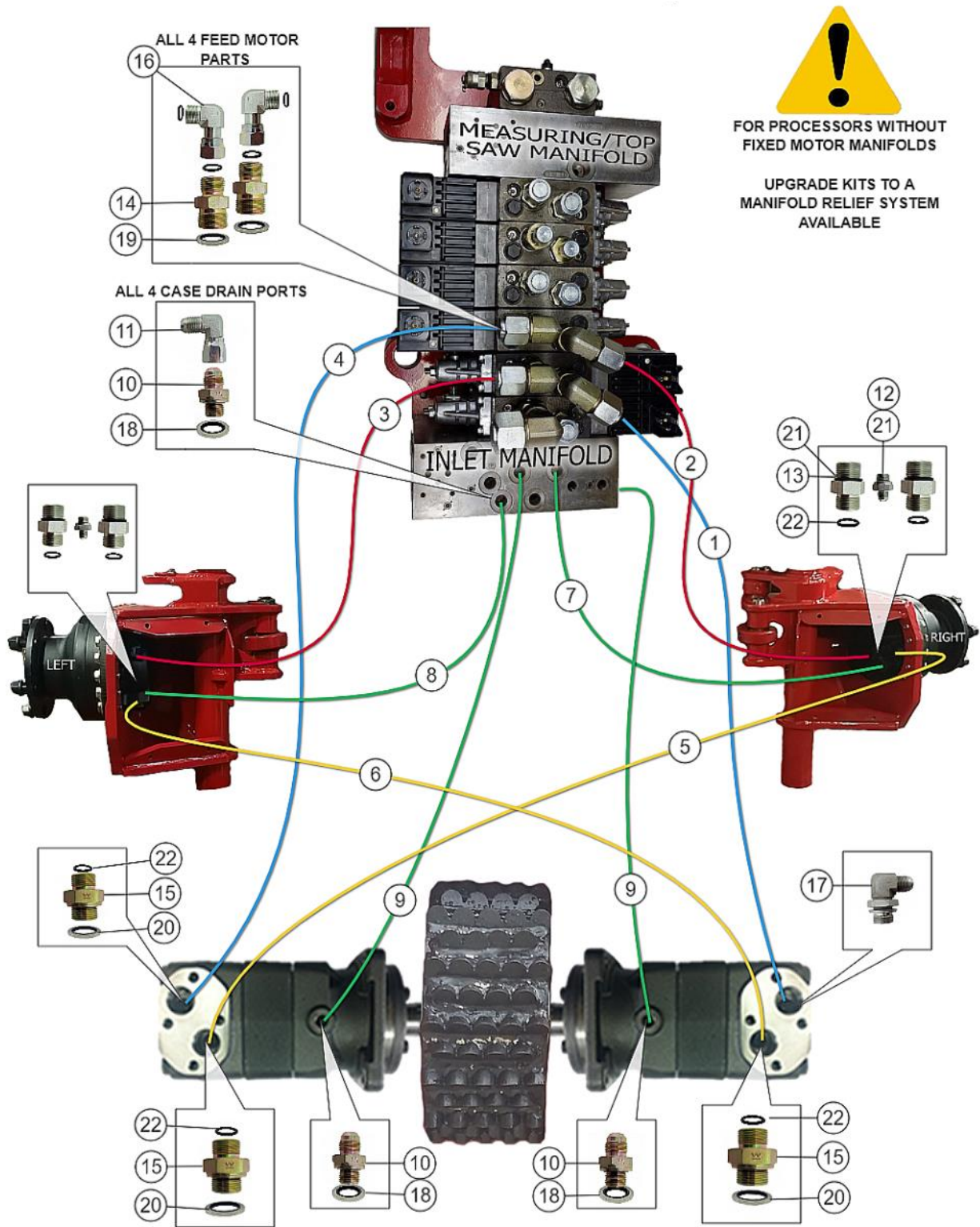
\*All manufacturers names, numbers, marks, trademarks and symbols and descriptions are used for reference purposes only. Use of parts not supplied from the original manufacturer on machines under manufacturer warranty could potentially void your manufacturer warranty. Machined parts are built by Axis, not the original manufacturer.

Axis Measuring Hoses and Fittings

No.	Axis Part No	Qty	Description	Notes
1	H7630680	2	HOSE - MEASURING CYLINDER	
2	H7630550	1	HOSE - MANIFOLD TO ACCUMULATOR	
3	H7630365	1	HOSE - MEASURING SUPPLY	
4	H7630370	1	HYDRAULIC HOSE - MANIFOLD RETURN	
5	H7630320	1	HYDRAULIC HOSE - MEASURING SUPPLY	
6	HF2040-6-4	8	FITTING - #6 JIC MALE X #4 BSPP MALE	
7	HF2040-6-6	1	FITTING - #6 JIC MALE X #6 BSPP MALE	
8	HF2091-6-18	1	FITTING - #6 JIC MALE X M18 MALE	
9	HF2040-8-8	2	FITTING - #8 JIC MALE X #8 BSPP MALE	
10	HF2939-8-8	1	FITTING - #8 JIC MALE X #8 JIC FEMALE 90°	
11	HF203020-8-8-8	1	FITTING - #8 JIC MALE X #8 JIC FEMALE X #8 JIC MALE	
12	HF4060-12-8	2	FITTING - #12 BSPP MALE X #8 ORFS MALE	
13	HF7969-8-8	1	FITTING - #8 ORFS MALE X #8 ORFS FEMALE 90°	
14	BSP4	8	BSPP BONDED SEAL #4	
15	BSP6	1	BSP BONDED SEAL #6	
16	BSP8	4	BSPP BONDED SEAL #8	
17	BSP18M	1	BONDED SEAL M18	
18	R24323C	1	O-RING #8 ORFS	
19	BSP12	1	BSPP BONDED SEAL #12	

\*All manufacturers names, numbers, marks, trademarks and symbols and descriptions are used for reference purposes only. Use of parts not supplied from the original manufacturer on machines under manufacturer warranty could potentially void your manufacturer warranty. Machined parts are built by Axis, not the original manufacturer.

Axis Feed Arm Motor Hoses and Fittings — No Manifolds



**FOR PROCESSORS WITHOUT  
FIXED MOTOR MANIFOLDS**

**UPGRADE KITS TO A  
MANIFOLD RELIEF SYSTEM  
AVAILABLE**

\*All manufacturers names, numbers, marks, trademarks and symbols and descriptions are used for reference purposes only. Use of parts not supplied from the original manufacturer on machines under manufacturer warranty could potentially void your manufacturer warranty. Machined parts are built by Axis, not the original manufacturer.

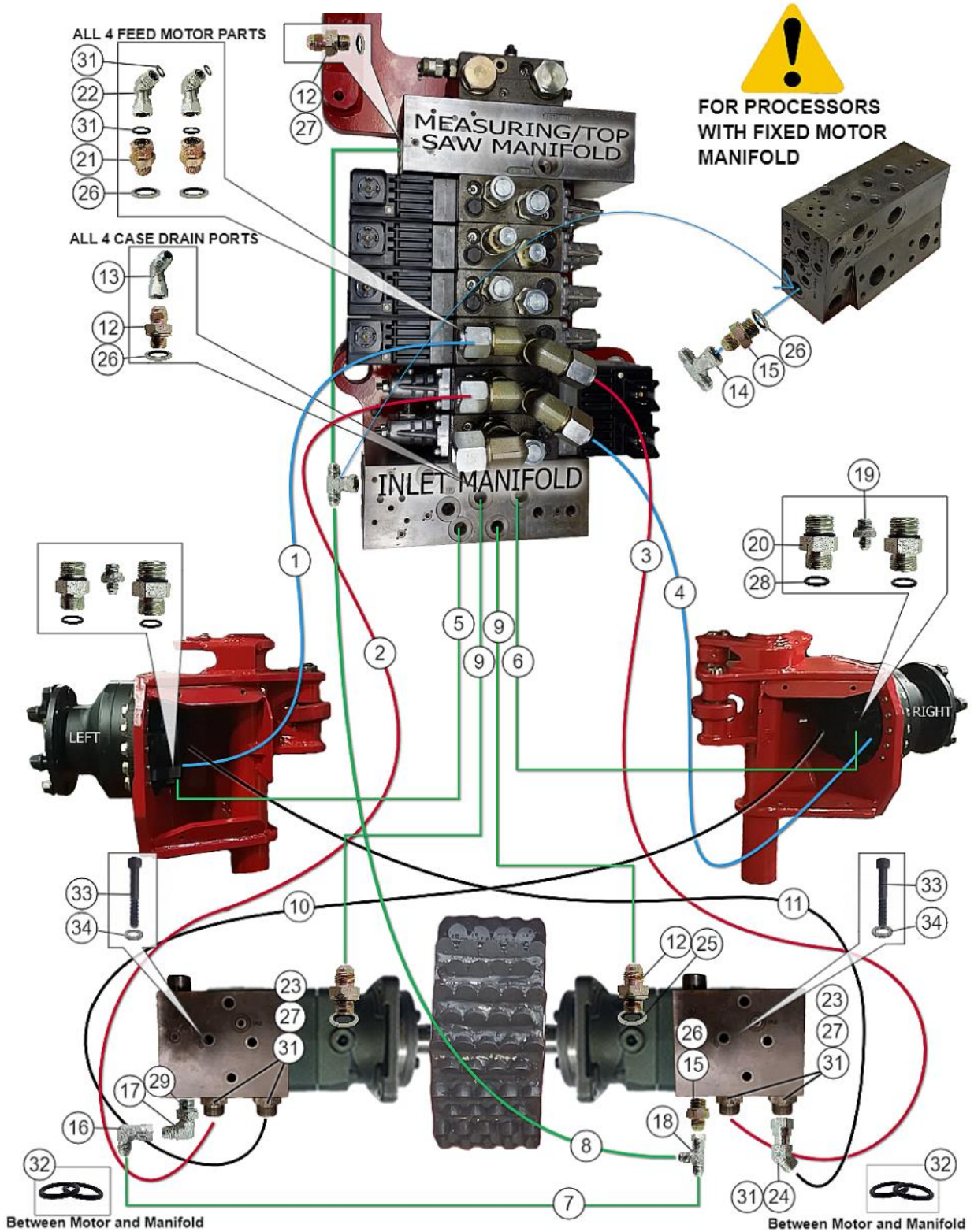
Axis Feed Arm Motor Hoses and Fittings — No Manifolds

No.	Axis Part No	Qty	Description	Notes
1	H7331400	1	HOSE - VALVE TO RH FIXED MOTOR	
2	H7332000	1	HOSE - RH MOTOR TO VALVE	
3	H7331850	1	HOSE - LH MOTOR TO VALVE	
4	H7331125	1	HOSE - VALVE TO LH FIXED MOTOR	
5	H7331520	1	HOSE - LH FIXED MTR TO RH MTR	
6	H7331550	1	HOSE - RH FIXED MTR TO LH MOTOR	
7	H7331820	1	HOSE - LH MOTOR CASE DRAIN	
8	H7332020	1	HOSE - RH MOTOR CASE DRAIN	
9	H7331130	1	HOSE - FIXED MOTOR MTR CASE DRAIN	
10	HF2040-6-4	6	FITTING - #6 JIC MALE X #4 BSPP MALE	
11	HF2939-6-6	4	FITTING - #6 JIC MALE X #6 JIC FEMALE 90°	
12	HF2080-6-8	2	FITTING - #6 JIC MALE X #8 ORB MALE	
13	HF6080-10-12	4	FITTING - #10 ORFS MALE X #12 ORB MALE	
14	HF4060-8-10	4	FITTING - #8 BSPP MALE X #10 ORFS MALE	
15	HF4060-12-10	3	FITTING - #12 BSPP MALE X #10 ORFS MALE	
16	HF7969-10-10	5	FITTING - #10 ORFS M X #10 ORFS FEMALE 90°	
17	HF2949-10-12	1	FITTING - #10 JIC M X #12 BSP MALE 90°	
18	BSP4	6	BSPP BONDED SEAL #4	
19	BSP8	4	BSPP BONDED SEAL #8	
20	BSP12	3	BSPP BONDED SEAL #12	
21	ORB3-908	2	O-RING #8 ORB	
22	R24325C	17	O-RING #10 ORFS	

\*All manufacturers names, numbers, marks, trademarks and symbols and descriptions are used for reference purposes only. Use of parts not supplied from the original manufacturer on machines under manufacturer warranty could potentially void your manufacturer warranty. Machined parts are built by Axis, not the original manufacturer.



Axis Feed Arm Motor Hose & Fitting (with Manifolds)



\*All manufacturers names, numbers, marks, trademarks and symbols and descriptions are used for reference purposes only. Use of parts not supplied from the original manufacturer on machines under manufacturer warranty could potentially void your manufacturer warranty. Machined parts are built by Axis, not the original manufacturer.

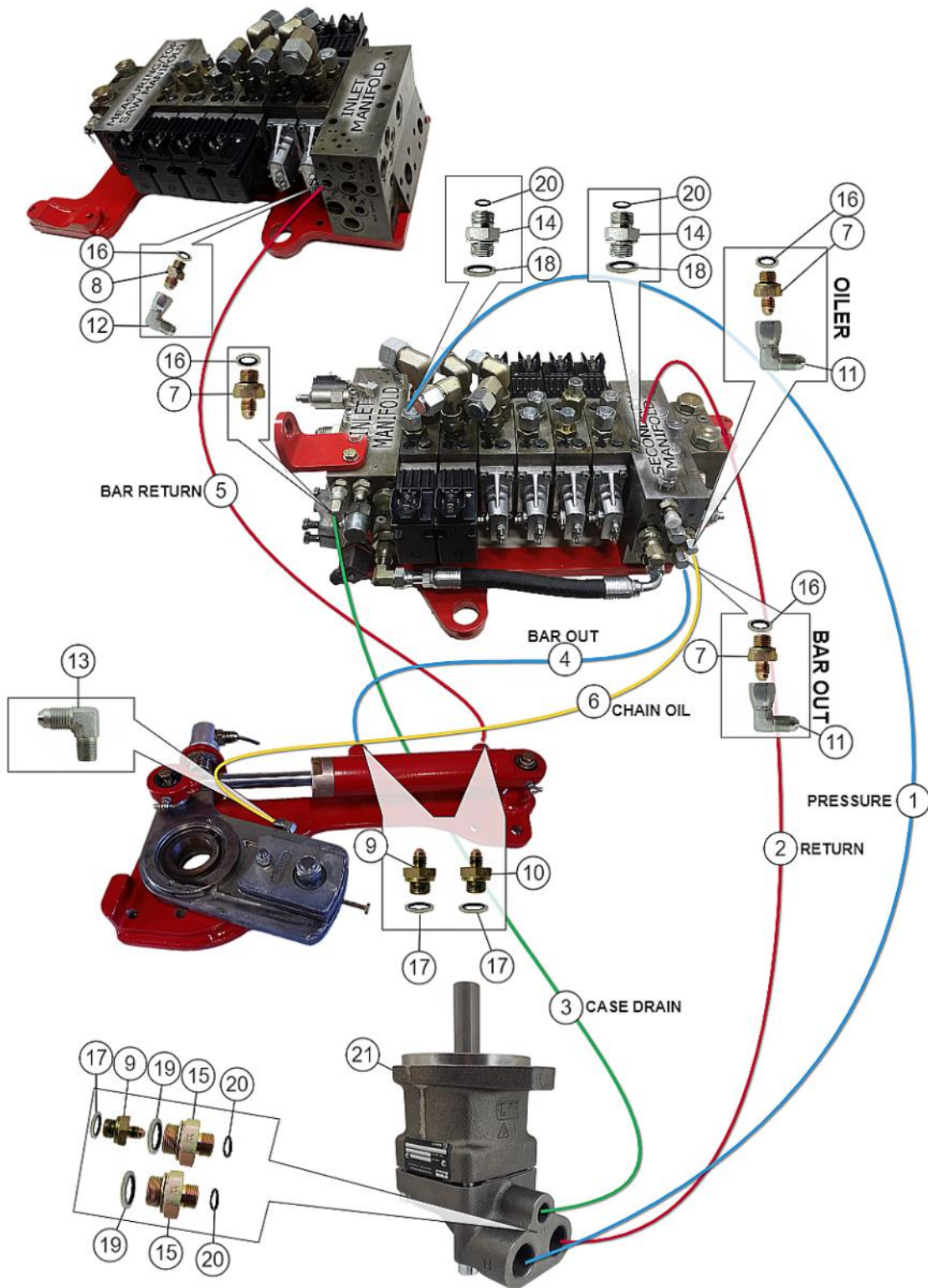


Axis Feed Arm Motor Hose & Fitting (with Manifolds)

No.	Axis Part No	Qty	Description	Notes
1	H7331850	1	HOSE - LH MOTOR TO VALVE	
2	H7331175	1	HOSE - VALVE TO LH FIXED MOTOR SN 785+	
3	H7321400	1	HOSE - RH D MTR DRAIN	
4	H7332000	1	HOSE - RH MOTOR TO VALVE	
5	H7331820	1	HOSE - LH MOTOR CASE DRAIN	
6	H7332020	1	HOSE - RH MOTOR CASE DRAIN	
7	H7330770	1	HOSE - RH FIXED MTR TO LH FIXED MTR CASE DRAIN	SERIAL #785+
8	H7331330	1	HOSE - LEFT FIXED MTR MANIFOLD	TO TEE WITH FIXED MOTOR MANIFOLDS
9	H7331130	2	HOSE - FIXED MOTOR CASE DRAIN	
10	H7331520	1	HOSE - LH FIXED MTR TO RH MS08 MTR	
11	H7331550	1	HOSE - RH FIXED MTR TO LH MS08 MOTOR	
12	HF2040-6-4	6	FITTING - #6 JIC MALE X #4 BSPP MALE	
13	HF2939-6-6	1	FITTING - #6 JIC MALE X #6 JIC FEMALE 90°	
14	HF203020-8-8-8	1	FITTING - #8 JIC MALE X #8 JIC FEMALE X #8 JIC MALE	
15	HF2040-8-8	1	FITTING - #8 JIC MALE X #8 BSPP MALE	
16	HF2939-8-8	1	FITTING - #8 JIC MALE X #8 JIC FEMALE 90°	
17	HF2949-8-8	1	FITTING - #8 JIC MALE X #8 BSPP MALE 90°	
18	HF202030-8-8-8	1	TEE FITTING M/M/F #8 JIC	
19	HF2080-6-8	2	FITTING - #6 JIC MALE X #8 ORB MALE	
20	HF6080-10-12	4	FITTING - #10 ORFS MALE X #12 ORB MALE	
21	HF4060-8-10	4	FITTING - #8 BSP MALE X #10 ORFS MALE	
22	HF7969-10-10	4	FITTING - #10 ORFS MALE X #10 ORFS FEMALE 90°	
23	HF4060-12-10	4	FITTING - #12 BSPP MALE X #10 ORFS MALE	
24	HF6575-10-10	1	FITTING - #10 ORFS MALE X #10 ORFS FEMALE 45°	
25	BSP4	6	BSPP BONDED SEAL #4	
26	BSP8	8	BSPP BONDED SEAL #8	
27	BSP12	4	BSPP BONDED SEAL #12	
28	ORB3-908	1	O-RING #8 ORB	
29	T259479C	1	O-RING	
30	R24325C	1	O-RING - #10 ORFS	
31	R24432C	4	O-RING - MANIFOLD TO MOTOR	2 REQUIRED PER MANIFOLD
32	GFB81070	4	BOLT - M10 X 70MM SOCKET HEAD	
33	GFW5375	1	ANTI-VIBRATION LOCKWASHER 3/8"	

\*All manufacturers names, numbers, marks, trademarks and symbols and descriptions are used for reference purposes only. Use of parts not supplied from the original manufacturer on machines under manufacturer warranty could potentially void your manufacturer warranty. Machined parts are built by Axis, not the original manufacturer.

Axis Top Saw Hose and Fittings



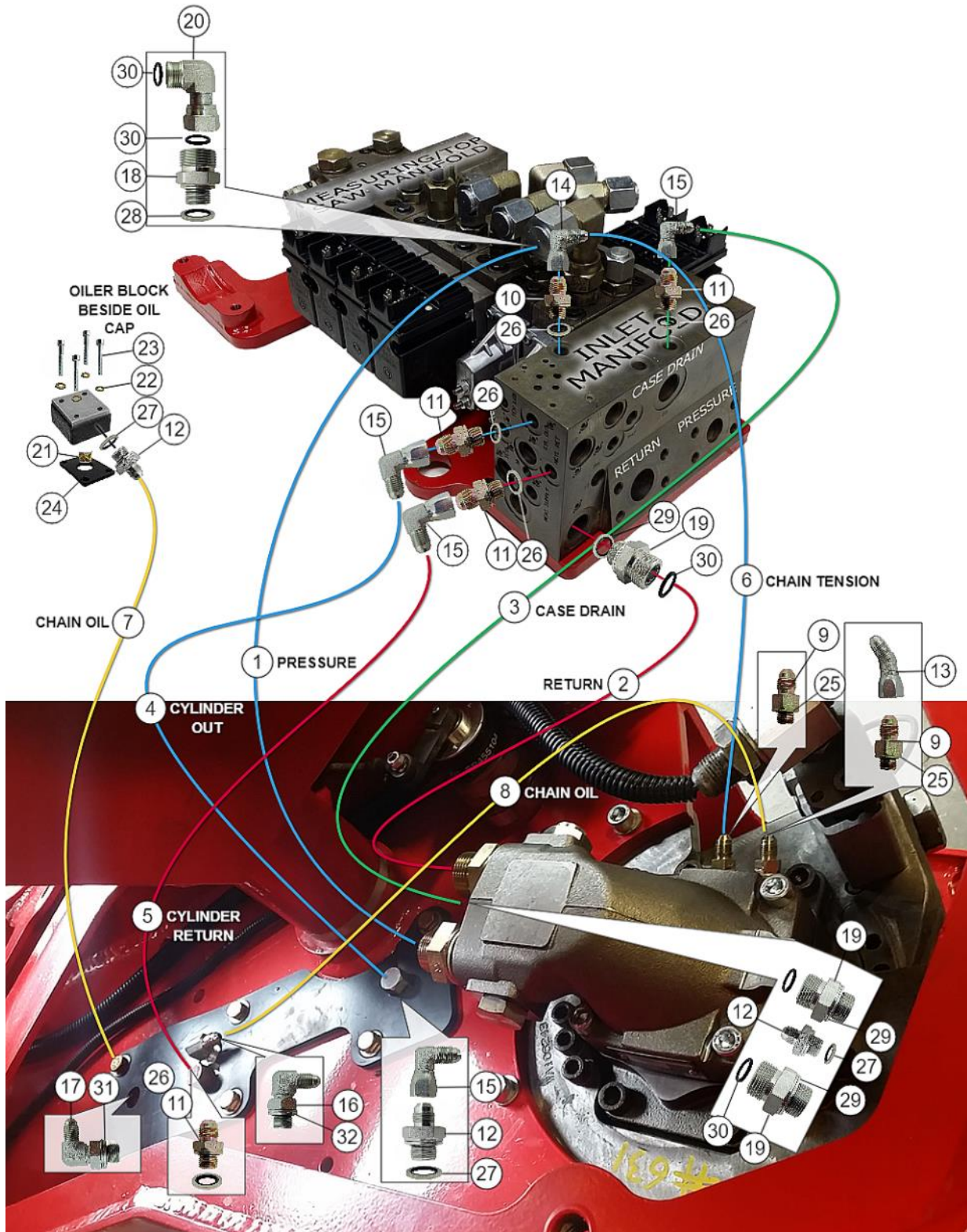
\*All manufacturers names, numbers, marks, trademarks and symbols and descriptions are used for reference purposes only. Use of parts not supplied from the original manufacturer on machines under manufacturer warranty could potentially void your manufacturer warranty. Machined parts are built by Axis, not the original manufacturer.

Axis Top Saw Hose and Fittings

No.	Axis Part No	Qty	Description	Notes
1	H9451020	1	HOSE - TOP SAW MOTOR SUPPLY	
2	H9450640	1	HOSE - TOP SAW MOTOR RETURN	
3	H9450850	1	HOSE - TOP SAW MOTOR CASE DRAIN	
4	H9450460	1	HOSE - TOPSAW CYL OUT	
5	H9451230	1	HOSE - TOPSAW CYL RETURN	
6	H9450600	1	HOSE - TOPSAW CHAIN OIL	
7	HF2040-4-4	3	FITTING - #4 JIC MALE X #4 BSPP MALE	
8	HF2040-6-4	1	FITTING - #6 JIC MALE X #4 BSPP MALE	
9	HF2040-4-6	2	FITTING - #4 JIC MALE X #6 BSPP MALE	
10	HF2040-6-6	1	FITTING - #6 JIC MALE X #6 BSPP MALE	
11	HF2939-4-4	2	FITTING - #4 JIC MALE X #4 JIC FEMALE 90°	
12	HF2939-6-6	1	FITTING - #6 JIC MALE X #6 JIC FEMALE 90°	
13	HF2947-4-2	1	FITTING - #4 JIC MALE X #2 BSPT MALE 90°	TOP SAW OILER
14	HF4060-8-8	2	FITTING - #8 BSPP MALE X #8 ORFS MALE	
15	HF4060-12-8	2	FITTING - #12 BSPP MALE X #8 ORFS MALE	
16	BSP4	4	BSPP BONDED SEAL #4	
17	BSP6	3	BSPP BONDED SEAL #6	
18	BSP8	2	BSPP BONDED SEAL #8	
19	BSP12	2	BSPP BONDED SEAL #12	
20	R24323C	2	O-RING #8 ORFS	
21	MT945300	1	SAW MOTOR - TOP SAW	SEE TOP SAW MOTOR DIAGRAM FOR MORE

\*All manufacturers names, numbers, marks, trademarks and symbols and descriptions are used for reference purposes only. Use of parts not supplied from the original manufacturer on machines under manufacturer warranty could potentially void your manufacturer warranty. Machined parts are built by Axis, not the original manufacturer.

Axis Supercut 100 Main Saw Hose and Fittings



\*All manufacturers names, numbers, marks, trademarks and symbols and descriptions are used for reference purposes only. Use of parts not supplied from the original manufacturer on machines under manufacturer warranty could potentially void your manufacturer warranty. Machined parts are built by Axis, not the original manufacturer.



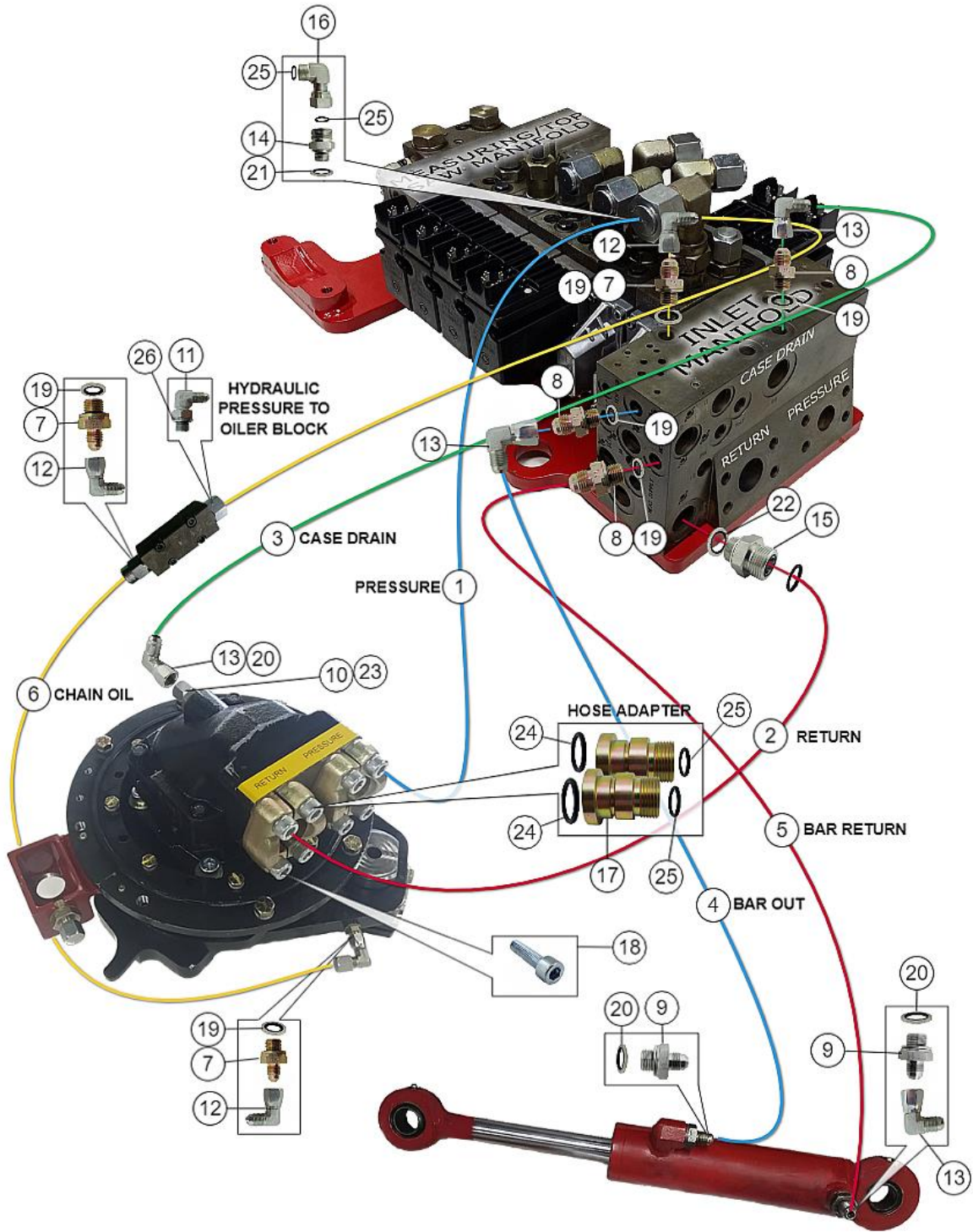
## Axis Supercut 100 Main Saw Hose and Fittings



No.	Axis Part No	Qty	Description	Notes
1	H3451640	1	HOSE - MOTOR SUPPLY	
2	H3451415	1	HOSE - MOTOR RETURN	
3	H3451600	1	HOSE - MOTOR CASE DRAIN	
4	H3451400	1	HOSE - CYLINDER OUT	
5	H3451230	1	HOSE - CYLINDER RETURN	
6	H3451770	1	HOSE - BAR & CHAIN TENSION	
7	H3450660	1	HOSE - CHAIN OIL LUBE SUPPLY	
8	H3450500	1	HOSE - CHAIN OIL LUBE SUPPLY TO MOTOR CAVITY	
9	HF2040-4-2	2	FITTING - #4 JIC MALE X #2 BSPP MALE	
10	HF2040-4-4	1	FITTING - #4 JIC MALE X #4 BSPP MALE	
11	HF2040-6-4	4	FITTING - #6 JIC MALE X #4 BSPP MALE	
12	HF2040-6-6	2	FITTING - #6 JIC MALE X #6 BSP MALE	
13	HF2535-4-4	1	FITTING - #4 MJIC TO #4 FJIC 45°	
14	HF2939-4-4	1	FITTING - #4 JIC MALE X #4 JIC FEMALE 90°	
15	HF2939-6-6	4	FITTING - #6 JIC MALE X #6 JIC FEMALE 90°	
16	HF2949-4-4	1	FITTING - #4 JIC MALE X #4 BSPP MALE, 90°	
17	HF2949-6-6	1	FITTING - #6 JIC MALE X #6 BSPP MALE 90°	
18	HF4060-8-12	1	FITTING - #8 BSP MALE X #12 ORFS MALE	
19	HF4060-12-12	3	FITTING - #12 BSPP MALE X #12 ORFS MALE	
20	HF7969-12-12	1	FITTING - #12 ORFS M X #12 ORFS FEMALE 90°	
21	MS345533	1	STRAINER FILTER	
22	GFW5250	1	ANTI - VIBRATION LOCKWASHER 1/4"	
23	GFB80640	1	BOLT - 6MM X 40MM SOCKET HEAD	
24	SK180502	1	SEAL - CHAIN LUBE MANIFOLD	
25	BSP2	2	BSPP SEAL 1/8"	
26	BSP4	5	BSPP BONDED SEAL #4	
27	BSP6	3	BSPP BONDED SEAL #6	
28	BSP8	1	BSPP BONDED SEAL #8	
29	BSP12	2	BSPP BONDED SEAL #12	
30	R24327C	4	O-RING #12 ORFS	
31	R24422C	1	O RING	
32	R24420C	1	O RING	

\*All manufacturers names, numbers, marks, trademarks and symbols and descriptions are used for reference purposes only. Use of parts not supplied from the original manufacturer on machines under manufacturer warranty could potentially void your manufacturer warranty. Machined parts are built by Axis, not the original manufacturer.

Axis 3/4" Main Saw Hose and Fittings



\*All manufacturers names, numbers, marks, trademarks and symbols and descriptions are used for reference purposes only. Use of parts not supplied from the original manufacturer on machines under manufacturer warranty could potentially void your manufacturer warranty. Machined parts are built by Axis, not the original manufacturer.



Axis 3/4" Main Saw Hose and Fittings

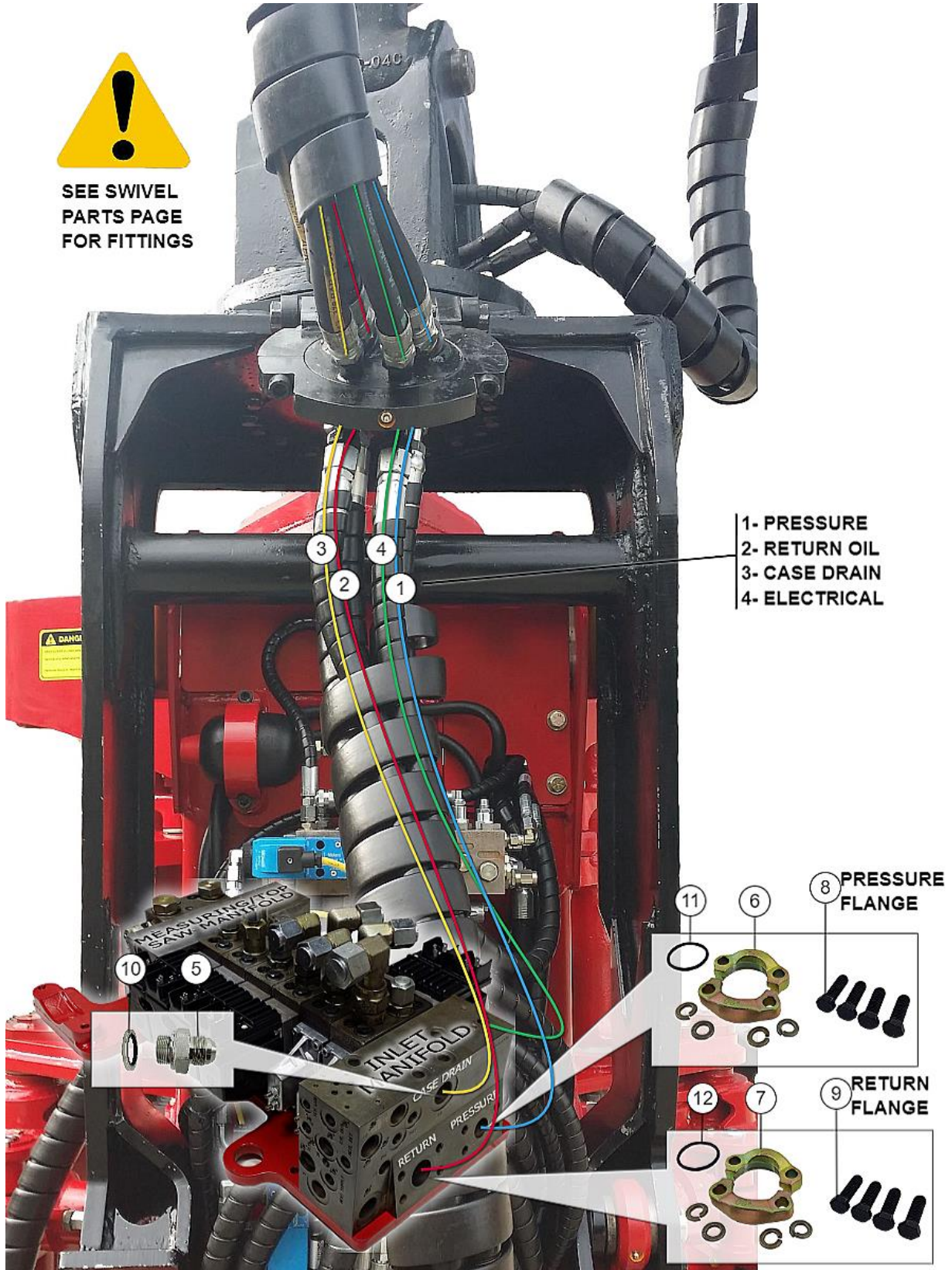
No.	Axis Part No	Qty	Description	Notes
1	H4351640	1	HOSE - SAW MOTOR SUPPLY	
2	H4351415	1	HOSE - SAW MOTOR RETURN	
3	H4351760	1	HOSE - MOTOR CD	
4	H4351400	1	HOSE - CYLINDER OUT	
5	H4351230	1	HOSE - CYLINDER RETURN	
6	H4350910	1	HOSE - CHAIN OIL LUBE	
7	HF2040-4-4	3	FITTING - #4 JIC MALE X #4 BSPP MALE	
8	HF2040-6-4	2	FITTING - #6 JIC MALE X #4 BSPP MALE	
9	HF2040-6-6	1	FITTING - #6 JIC MALE X #6 BSPP MALE	
10	HF2091-6-18	1	FITTING - #6 JIC MALE X M18 MALE	
11	HF2949-4-4	1	FITTING - #4 JIC MALE X #4 BSPP MALE 90°	
12	HF2939-4-4	3	FITTING - #4 JIC MALE X #4 JIC FEMALE 90°	
13	HF2939-6-6	2	FITTING - #6 JIC MALE X #6 JIC FEMALE 90°	
14	HF4060-8-12	1	FITTING - #8 BSPP MALE X #12 ORFS MALE	
15	HF4060-12-12	1	FITTING - #12 BSPP MALE X #12 ORFS MALE	
16	HF7969-12-12	1	FITTING - #12 ORFS MALE X #12 ORFS FEMALE 90°	
17	HF8090-12-62	2	#12 ORFM X CODE 62 #12 STRAIGHT	
18	GFB81040	8	BOLT - M10 X 40MM SOCKET HEAD	
19	BSP4	5	BSPP BONDED SEAL #4	
20	BSP6	2	BSPP BONDED SEAL #6	
21	BSP8	1	BSPP BONDED SEAL #8	
22	BSP12	1	BSPP BONDED SEAL #12	
23	BSP18M	1	BONDED SEAL M18	
24	R24523C	2	O-RING	
25	R24327C	2	O-RING #12 ORFS	
26	R24420C	1	O-RING	

\*All manufacturers names, numbers, marks, trademarks and symbols and descriptions are used for reference purposes only. Use of parts not supplied from the original manufacturer on machines under manufacturer warranty could potentially void your manufacturer warranty. Machined parts are built by Axis, not the original manufacturer.

Main Inlet 270 °Swivel Hose and Fittings



**SEE SWIVEL  
PARTS PAGE  
FOR FITTINGS**



- 1- PRESSURE
- 2- RETURN OIL
- 3- CASE DRAIN
- 4- ELECTRICAL

8 PRESSURE  
FLANGE

9 RETURN  
FLANGE

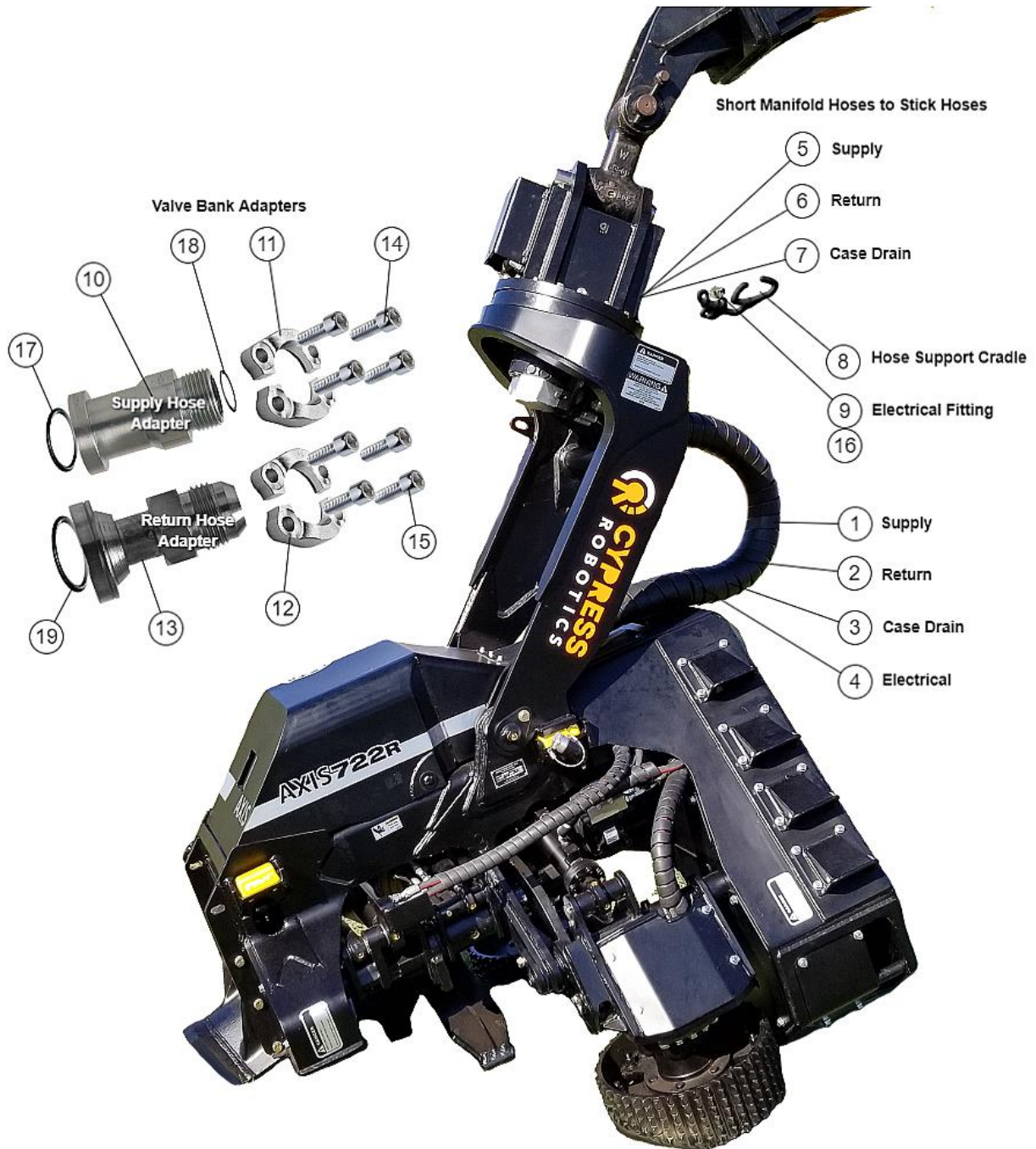
\*All manufacturers names, numbers, marks, trademarks and symbols and descriptions are used for reference purposes only. Use of parts not supplied from the original manufacturer on machines under manufacturer warranty could potentially void your manufacturer warranty. Machined parts are built by Axis, not the original manufacturer.

Main Inlet 270 °Swivel Hose and Fittings

No.	Axis Part No	Qty	Description	Notes
1	H6431765	1	HOSE - MAIN VALVE SUPPLY	
2	H6431760	1	HOSE - MAIN VALVE RETURN	
3	H6431720	1	HOSE - MAIN VALVE CASE DRAIN	
4	H6431670	1	HOSE - MAIN VALVE ELECTRICAL CABLE	
5	HF2040-12-12	1	FITTING - #12 JIC MALE TO #12 BSPP MALE	
6	HF162016	1	CODE 62 - #16 FLANGE KIT	
7	HF162020	1	CODE 61 - #20 FLANGE KIT	
8	GFB3437150	4	BOLT - 7/16" X 1.50 UNC SOCKET HEAD	
9	GFB3437175	1	BOLT - 7/16" X 1.75" UNC SOCKET HEAD	
10	BSP12	1	BSPP BONDED SEAL #12	
11	R24528C	1	O-RING	
12	R24531C	1	O-RING	

\*All manufacturers names, numbers, marks, trademarks and symbols and descriptions are used for reference purposes only. Use of parts not supplied from the original manufacturer on machines under manufacturer warranty could potentially void your manufacturer warranty. Machined parts are built by Axis, not the original manufacturer.

Main Inlet 360° Swivel Hose & Fittings



\*All manufacturers names, numbers, marks, trademarks and symbols and descriptions are used for reference purposes only. Use of parts not supplied from the original manufacturer on machines under manufacturer warranty could potentially void your manufacturer warranty. Machined parts are built by Axis, not the original manufacturer.



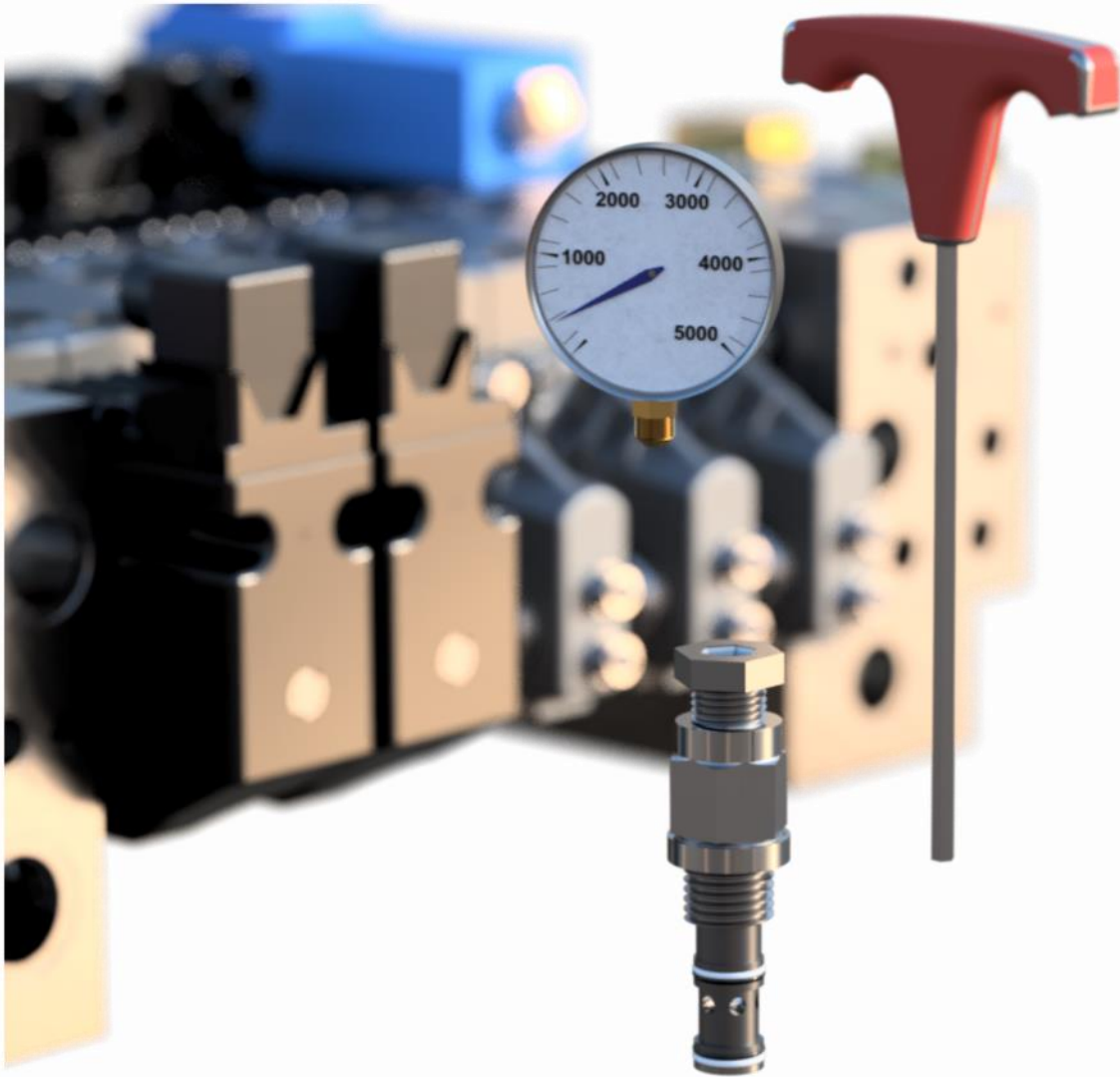
Main Inlet 360° Swivel Hose & Fittings

No.	Axis Part No	Qty	Description	Notes
1	H6442235	1	HOSE - MAIN VALVE SUPPLY	REQUIRES FLANGE ADAPTER
2	H6442242	1	HOSE - MAIN VALVE RETURN	REQUIRES FLANGE ADAPTER
3	H6442231	1	HOSE - MAIN VALVE CASE DRAIN	
4	H6442159	1	HOSE - MAIN VALVE ELECTRICAL CABLE	
5	H6430355	1	HOSE - SUPPLY	CONNECTS TO STICK HOSE
6	H6430356	1	HOSE - RETURN	CONNECTS TO STICK HOSE
7	H6430406	1	HOSE - CASE DRAIN	CONNECTS TO STICK HOSE
8	RT100112	1	HOSE SUPPORT BRACKET	
9	RT100110	1	FITTING - ELECTRICAL HOSE CONNECTION	
10	HF8090-16-12	1	FLANGE ADAPTER	SUPPLY LINE
11	HF162016	1	#16 CODE 62 SPLIT FLANGE	
12	HF162020	1	#20 CODE 61 FLANGE KIT	
13	HF2090-20-61	1	FLANGE ADAPTER	RETURN LINE
14	GFB3437150	4	BOLT - 7/16" X 1.50 UNC SOCKET HEAD	
15	GFB3437175	4	BOLT - 7/16" X 1.75" UNC SOCKET HEAD	
16	BSP12	1	BSPP BONDED SEAL #12	
17	R24528C	1	O-RING	
18	R24330C	1	O-RING	
19	R24531C	1	O-RING	

\*All manufacturers names, numbers, marks, trademarks and symbols and descriptions are used for reference purposes only. Use of parts not supplied from the original manufacturer on machines under manufacturer warranty could potentially void your manufacturer warranty. Machined parts are built by Axis, not the original manufacturer.

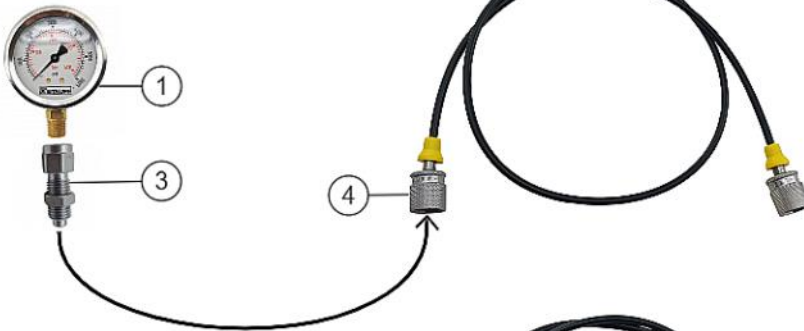




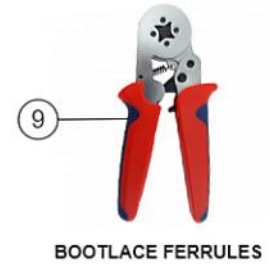
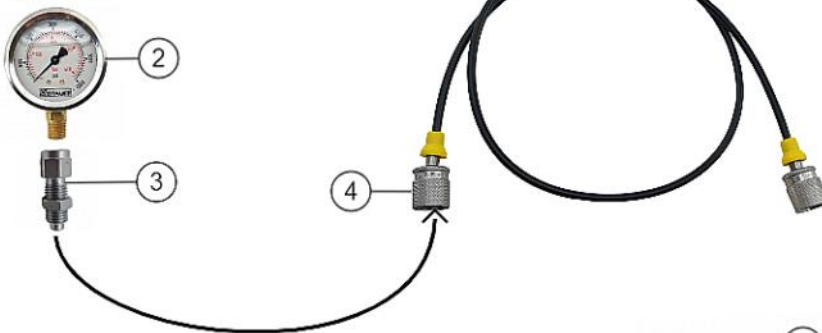


## TOOLS & KITS

2000 PSI



6000 PSI



\*All manufacturers names, numbers, marks, trademarks and symbols and descriptions are used for reference purposes only. Use of parts not supplied from the original manufacturer on machines under manufacturer warranty could potentially void your manufacturer warranty. Machined parts are built by Axis, not the original manufacturer.

Axis Tools



No.	Axis Part No	Qty	Description	Notes
1	HF14TP-2000	1	2000 PSI GAUGE	
2	HF14TP-6000	1	6000 PSI GAUGE	
3	HF14TPA	1	TEST PORT HOSE ADAPTER TO #4 FNPT	
4	HF14TPH	1	TEST PORT HOSE 36"	
5	AT100107	1	LOAD SENSE VALVE REMOVAL TOOL	
6	MS345149	1	CHECK VALVE ALLEN KEY	
7	MW103538	1	GAUGE ADAPTER FITTING	NO LONGER AVAILABLE
8	MS345011	1	TOOL - SUPERCUT MAIN SAW CHECK VALVE REMOVAL	
9	EP750100	1	CRIMP TOOL - BOOTLACE FERRULES	
10	EP910150	1	DEUTSCH CRIMP TOOL 16 GAUGE	
11	EP905005	1	DEUTSCH PULLER RED	
12	EP910151	1	DEUTSCH CRIMP TOOL 20 GAUGE	

\*All manufacturers names, numbers, marks, trademarks and symbols and descriptions are used for reference purposes only. Use of parts not supplied from the original manufacturer on machines under manufacturer warranty could potentially void your manufacturer warranty. Machined parts are built by Axis, not the original manufacturer.

Axis Kits

Axis Kits



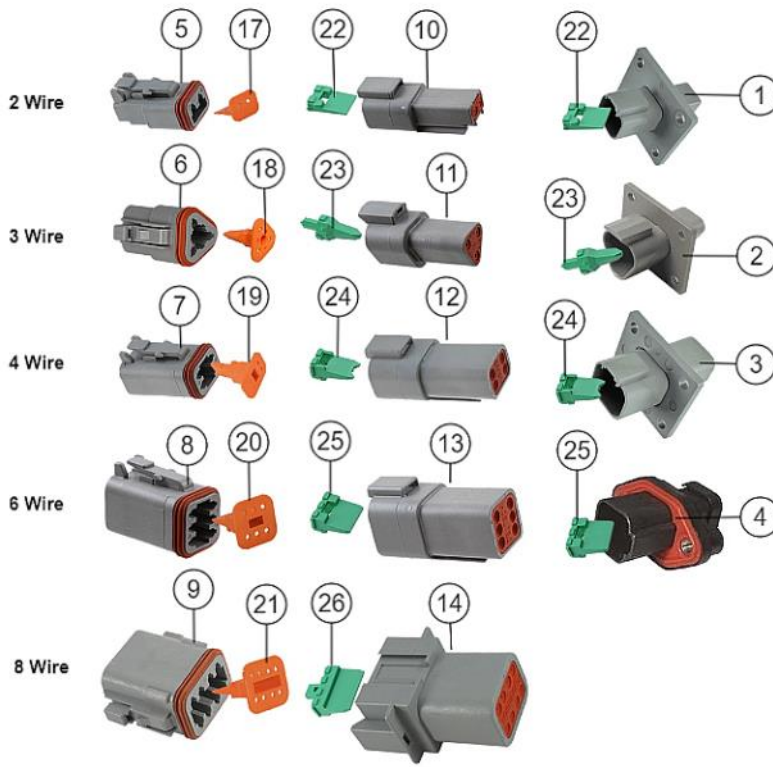
\*All manufacturers names, numbers, marks, trademarks and symbols and descriptions are used for reference purposes only. Use of parts not supplied from the original manufacturer on machines under manufacturer warranty could potentially void your manufacturer warranty. Machined parts are built by Axis, not the original manufacturer.

Axis Kits

No.	Axis Part No	Qty	Description	Notes
1	EP910152	1	DEUTSCH SERVICE KIT	
2	ORK2016	1	COMMON O-RING KIT	
3	HP480100	1	HANDLE KIT - DANFOSS HANDLES	INCLUDES POTENTIOMETER
4	HP480101	1	HANDLE KIT - DANFOSS HANDLES	LESS POTENTIOMETER
5	GFW100	1	ANTI-VIBRATION LOCKWASHER KIT 1/4"-3/4"	

\*All manufacturers names, numbers, marks, trademarks and symbols and descriptions are used for reference purposes only. Use of parts not supplied from the original manufacturer on machines under manufacturer warranty could potentially void your manufacturer warranty. Machined parts are built by Axis, not the original manufacturer.

Deutsch Parts



\*All manufacturers names, numbers, marks, trademarks and symbols and descriptions are used for reference purposes only. Use of parts not supplied from the original manufacturer on machines under manufacturer warranty could potentially void your manufacturer warranty. Machined parts are built by Axis, not the original manufacturer.



Deutsch Parts

No.	Axis Part No	Qty	Description	Notes
1	EP100215	1	2 WIRE FLANGE MOUNT RECEPTACLE	
2	EP100209	1	3 WIRE FLANGE MOUNT RECEPTACLE	
3	EP100210	1	4 WIRE FLANGE MOUNT RECEPTACLE	
4	EP100211	1	6 WIRE FLANGE MOUNT RECEPTACLE	
5	EP910172	1	2 WIRE PLUG	
6	EP910173	1	3 WIRE PLUG	
7	EP910174	1	4 WIRE PLUG	
8	EP910176	1	6 WIRE PLUG	
9	EP910178	1	8 WIRE PLUG	
10	EP910132	1	2 WIRE RECEPTACLE	
11	EP910133	1	3 WIRE RECEPTACLE	
12	EP910134	1	4 WIRE RECEPTACLE	
13	EP910136	1	6 WIRE RECEPTACLE	
14	EP910138	1	8 WIRE RECEPTACLE	
15	EP910208	1	DEUTSCH SOCKER TERMINAL #14	FOR LARGER GAUGE WIRES
16	EP910209	1	DEUTSCH SOCKER TERMINAL #14	FOR LARGER GAUGE WIRES
17	EP920201	1	ORANGE WEDGELOCK FOR 2 WIRE PLUG	
18	EP920301	1	ORANGE WEDGELOCK FOR 3 WIRE PLUG	
19	EP920401	1	ORANGE WEDGELOCK FOR 4 WIRE PLUG	
20	EP920601	1	ORANGE WEDGELOCK FOR 6 WIRE PLUG	
21	EP920801	1	ORANGE WEDGELOCK FOR 8 WIRE PLUG	
22	EP920202	1	GREEN WEDGELOCK FOR 2 WIRE RECEPTACLE	
23	EP920302	1	GREEN WEDGELOCK FOR 3 WIRE RECEPTACLE	
24	EP920402	1	GREEN WEDGELOCK FOR 4 WIRE RECEPTACLE	
25	EP920602	1	GREEN WEDGELOCK FOR 6 WIRE RECEPTACLE	
26	EP920802	1	GREEN WEDGELOCK FOR 8 WIRE RECEPTACLE	
27	EP910220	1	SOCKET TERMINAL #20	
28	EP910221	1	PIN TERMINAL #20	
29	EP910210	1	SOCKET TERMINAL #16	
30	EP910211	1	PIN TERMINAL #16	
31	EP910151	1	CRIMP TOOL 20 GAUGE	
32	EP910150	1	CRIMP TOOL 16 GAUGE	
33	EP910320	1	SEAL PLUG #20 RED	
34	EP910316	1	SEAL PLUG #16 WHITE	
35	EP905005	1	DEUTSCH PULLER RED	
36	EP910326A	1	DEUTSCH PLUG "A KEY"	
37	EP910326B	1	DEUTSCH PLUG "B KEY"	
38	EP910326C	1	DEUTSCH PLUG "C KEY"	
39	EP910326D	1	DEUTSCH PLUG "D KEY"	

\*All manufacturers names, numbers, marks, trademarks and symbols and descriptions are used for reference purposes only. Use of parts not supplied from the original manufacturer on machines under manufacturer warranty could potentially void your manufacturer warranty. Machined parts are built by Axis, not the original manufacturer.

O-Rings

							
FITTING SIZE	ORFS FLAT FACE	ORB O-RING BOSS	BSP BONDED SEAL	BSP CAPTIVE SEAL	BSP O-RING W/BACKNUT	CODE 61 FLANGE	CODE 62 FLANGE
1/8" -2			BSP2	ED2	<b>T154417C</b>		
1/4" -4	R24320C	ORB3-904	BSP4	ED4	R24420C		
3/8" -6	R24321C	ORB3-906	BSP6	ED6	R24422C		
1/2" -8	R24323C	ORB3-908	BSP8	ED8	R249479C		
5/8" -10	R24325C	ORB3-910	BSP10	ED10	ORB3-910		
3/4" -12	R24327C	ORB3-912	BSP12	ED12	T314479C		R24523C
1" -16	R24330C	<b>ORB3-916</b>	BSP16	ED16	R24526C		R24528C
1-1/4" -20	<b>R24334C</b>		BSP20	<b>ED20</b>		R24531C	

METRIC

M6			BSP6M				
M18			BSP18M				

Plugs and Caps

	ORFS FLAT FACE		ORB O-RING BOSS		BSPP		JIC	
								
1/8" -2			PLUG	HF80-2				
1/4" -4	CAP	HF70-4	PLUG	HF80-4	CAP	HF50-4	CAP	HF30-4
	PLUG	HF60-4			PLUG	HF40-4	PLUG	HF20-4
3/8" -6	CAP	HF70-6	PLUG	HF80-6	CAP	HF50-6	CAP	HF30-6
	PLUG	HF60-6			PLUG	HF40-6	PLUG	HF20-6
1/2" -8	CAP	HF70-8	PLUG	HF80-8	CAP	HF50-8	CAP	HF30-8
	PLUG	HF60-8			PLUG	HF40-8	PLUG	HF20-8
5/8" -10	CAP	HF70-10	PLUG	HF80-10	CAP	HF50-10	CAP	HF30-10
	PLUG	HF60-10			PLUG	HF40-10	PLUG	HF20-10
3/4" -12	CAP	HF70-12	PLUG	HF80-12	CAP	HF50-12	CAP	HF30-12
	PLUG	HF60-12			PLUG	HF40-12	PLUG	HF20-12
1" -16	CAP	HF70-16			CAP	HF50-16	CAP	HF30-16
	PLUG	HF60-16			PLUG	HF40-16	PLUG	HF20-16
1-1/4" -20	CAP	HF70-20					CAP	HF30-20
	PLUG	HF60-20			PLUG	HF20-20		





# **AXIS**

FORESTRY INC

**Axis Forestry Inc.**

Kamloops, BC, Canada

Ferndale, WA, U.S.A.

Toll Free North America: 1-888-678-2947

Local: 1-778-471-2947

[www.axisforestry.com](http://www.axisforestry.com)

Email: [parts@axisforestry.com](mailto:parts@axisforestry.com)