



AXIS

FORESTRY INC

623C PARTS
CATALOG

June 2024

*** Reference this Serial Number when contacting
Axis Forestry Inc. for Parts, Service &
Tech Support**

AFTERMARKET PARTS CATALOG

Axis Forestry Inc.

Kamloops, BC, Canada

Post Falls, ID, U.S.A.

Toll Free North America: 1-888-678-2947

Local: 1-778-471-2947

www.axisforestry.com

Email: parts@axisforestry.com

This parts catalog is produced for logging contractors who own Waratah 623C processor attachments and who own a processor that has been rebuilt by Axis Forestry Inc. Axis Forestry Inc. has no affiliation with Waratah Forestry Attachments whatsoever. All parts listed in this catalog are manufactured and provided by Axis Forestry Inc. with no affiliation with Waratah Forestry Attachments. Trademark names, marks and symbols are for customer reference purposes only.

Copyright 2023 Axis Forestry Inc.

No part of this document may be duplicated or photocopied without the written permission of Axis Forestry Inc.

CONTENTS

GUARDS AND COVERS GROUP

Guards and Covers	12
Valve Bank Cover	14

ROTATE AND TILT GROUP

270° Rotator.....	18
270° Swivel.....	20
Tilt	22
Tilt Bumpers.....	24
360° Continuous Rotation.....	26

CYLINDERS GROUP

Delimb Arm Cylinder	30
Lower Delimb Arm Cylinder	32
Feed Cylinders.....	34
Tilt Cylinder	36
Measuring Arm Cylinder	38
Main Saw Cylinder	40
Top Saw Cylinder.....	42

DELIMBING GROUP

Front Knife.....	46
Delimb Arms.....	48
Lower Delimb Arm	50

FEED ARM AND FEED MOTORS GROUP

Feed Arms Pins and Bushings	54
Feed Cylinder Pins.....	56
Outer Feed Motors	58
Fixed Motors	60

LENGTH AND DIAMETER MEASURING GROUP

Length Measuring Assembly Serial up to 491.....	64
Length Measuring Assembly Serial 492 and up.....	66
Accumulator.....	68
Measuring Wheels	70
Find End.....	72
Diameter Measuring	74

COMPUTER GROUP

Axis Product Made to Fit TimberRite

Head Module.....	80
Danfoss Handles.....	82
Axis Handles (Danfoss Type)	84
Danfoss Keypad.....	86
Sure Grip Handles	88
Boom Cable fits TimberRite	90
Boom Cable fits Cypress Gen6	92
Cabin Touch Screen System	94
Cabin PC Based System	96
Terminal Box	98

MAIN SAW AND TOP SAW GROUP

Chain Oil Cap, Bar and Chain	102
Main Saw Assembly 3/4" Auto Tension.....	104
Main Saw Motor Mounting.....	106
Main Saw Sprocket Kit	108
Auto Tension Relief Valve	110
Main Saw Proximity Switch.....	112
Top Saw Assembly.....	114
Top Saw Sprocket Kit	116
Top Saw Proximity Switch.....	118

VALVE BANK GROUP

Valve Bank Mounting & Master Seal Kit	122
PVG32 End Manifold up to Serial 566.....	124
PVG32 End Manifold up to Serial 567 and up.....	126
Upper Delimb Manifold	128
Feed Arm Manifold	130
Tilt Manifold.....	132
Inlet Manifold Left View up to Serial 566	134
Inlet Manifold Right View up to Serial 566	136
Inlet Manifold Left View Serial 567 and up.....	138
Inlet Manifold Right View Serial 567 and up	140
Inlet Manifold Top View Serial 567 and up.....	142
Right Feed Motor Manifold	144
Left Feed Motor Manifold.....	146

VALVE BANK GROUP CONTINUED...

Saw Motors Manifold 148
PVG100 End Manifold up to Serial 566..... 150
PVG100 End Manifold Serial 567 and up 152
Lower Delimb Arm Serial 134 to 490 154
Lower Delimb Arm Serial 491 and up 156
Case Drain Manifold..... 158

HYDRAULIC HOSE AND FITTINGS GROUP

Spiral Hose Wrap..... 162
270 Rotation Main Hoses..... 164
360 Continuous Rotation Hoses 166
Upper Delimb Hoses 168
Lower Delimb Hoses Serial 134-490 170
Lower Delimb Hoses Serials 491 and up..... 172
Feed Cylinder Hoses..... 174
Measuring Hoses..... 176
Tilt Hoses up to Serial 566 178
Tilt Hoses Serial 567 and up..... 180
Tilt Pin Grease Hose 182
Main Saw Hoses 184
Top Saw Hoses 186
Outer Feed Motor Fittings 188
Fixed Motor Fittings 190
Feed Motor Hoses..... 192

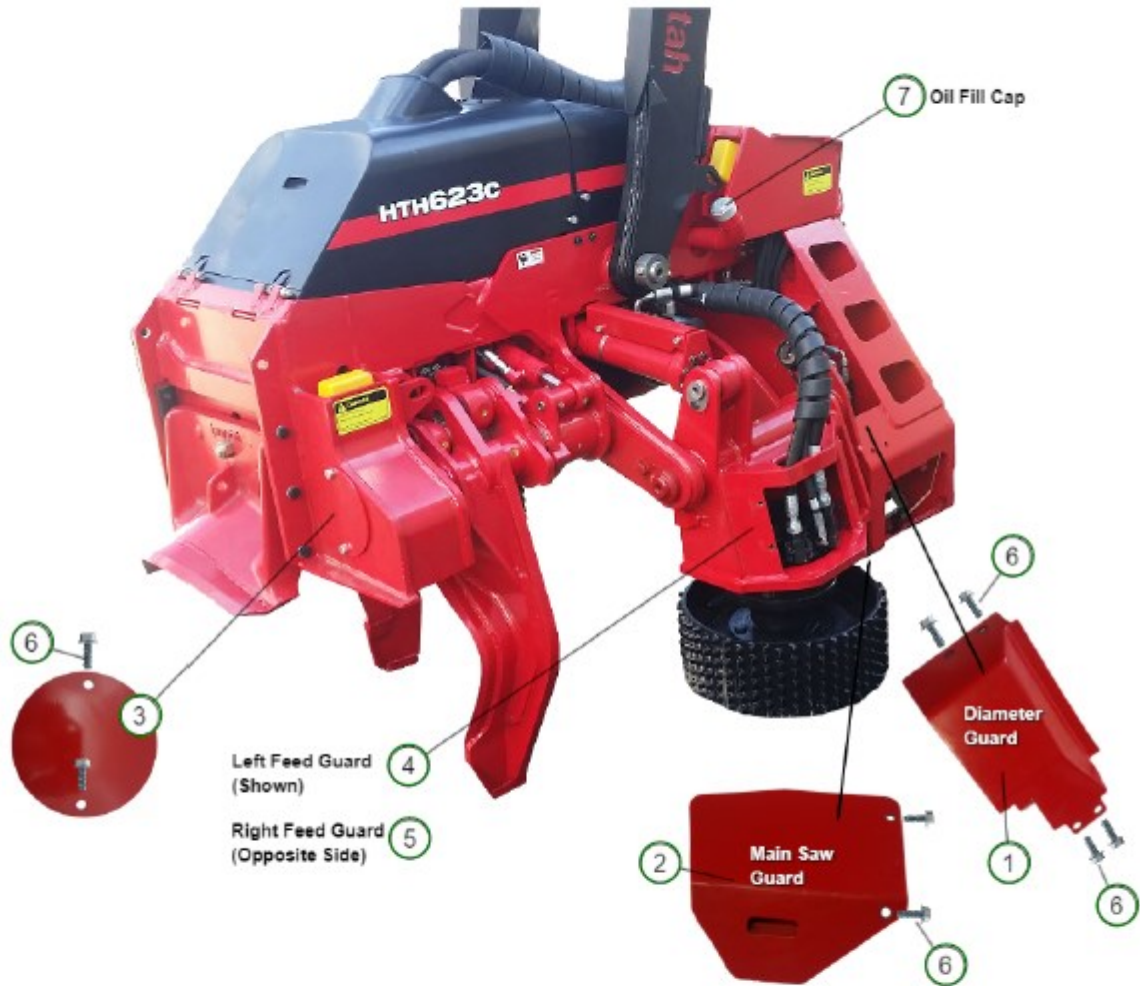
ACCESSORIES

Tools..... 196
Kits..... 198
Deustch Connector Parts 200
O-Rings 202
Plugs and Caps 203



GUARDS & COVERS

623C Guards & Covers



*All manufacturers names, numbers, marks, trademarks and symbols and descriptions are used for reference purposes only. Use of parts not supplied from the original manufacturer on machines under manufacturer warranty could potentially void your manufacturer warranty. Machined parts are built by Axis, not the original manufacturer.

623C Guards & Covers

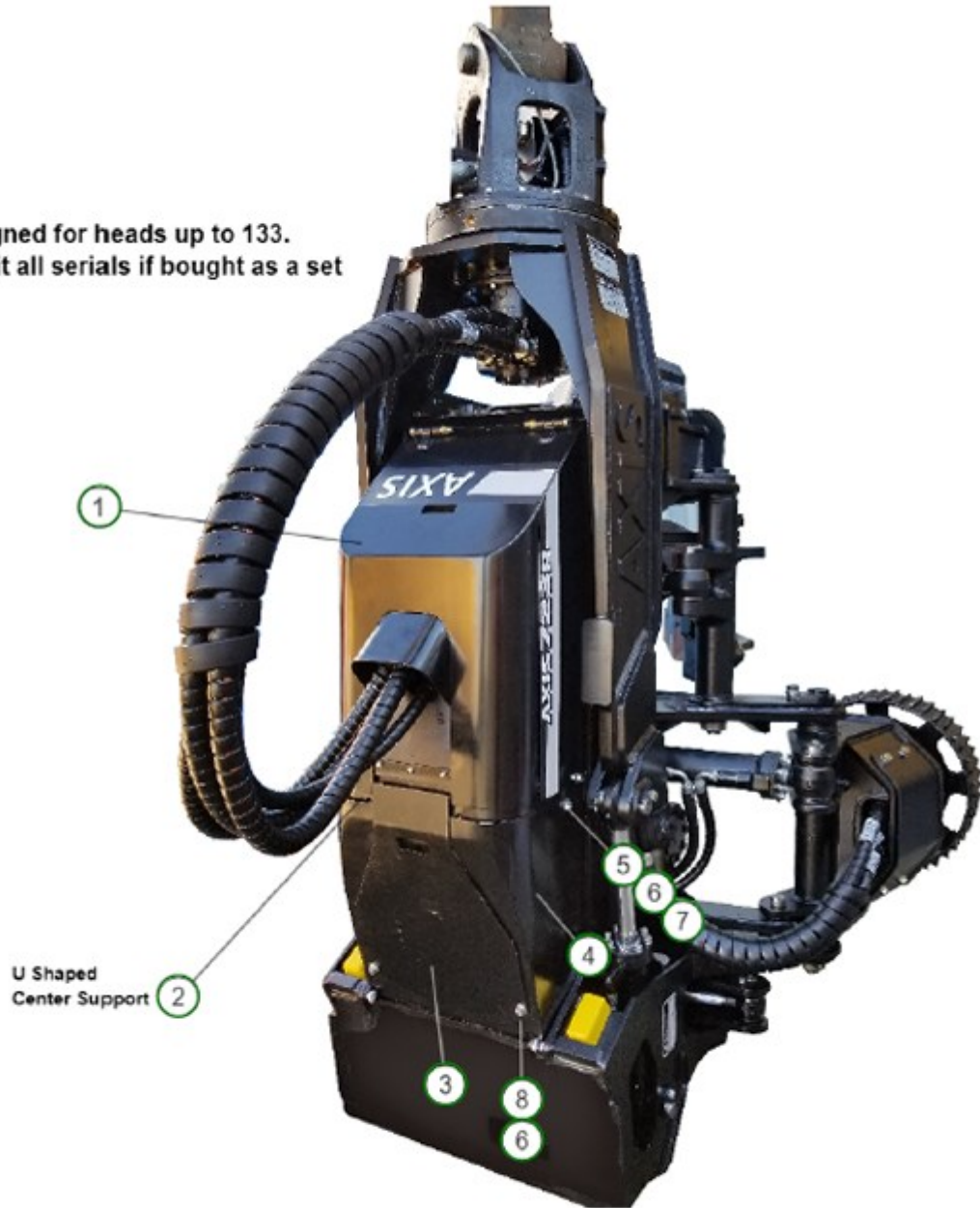
No.	Axis Part No	Qty	Description	Notes
1	GC623005	1	GUARD - BODY	
2	GC623009	1	GUARD - LOWER MAIN SAW	
3	GC945103	1	COVER - TOP SAW TOP	
4	GC129170	1	COVER - LEFT FEED ARM	
5	GC129171	1	COVER - RIGHT FEED ARM	
6	GFB71225FL	16	BOLT - M12 X 25MM HEX HEAD	
7	GC100103	1	OIL FILL CAP	

*All manufacturers names, numbers, marks, trademarks and symbols and descriptions are used for reference purposes only.
Use of parts not supplied from the original manufacturer on machines under manufacturer warranty could potentially void your
manufacturer warranty. Machined parts are built by Axis, not the original manufacturer.

623C Valve Bank Cover

623C Valve Bank Cover

Designed for heads up to 133.
Will fit all serials if bought as a set



*All manufacturers names, numbers, marks, trademarks and symbols and descriptions are used for reference purposes only. Use of parts not supplied from the original manufacturer on machines under manufacturer warranty could potentially void your manufacturer warranty. Machined parts are built by Axis, not the original manufacturer.

623C Valve Bank Cover

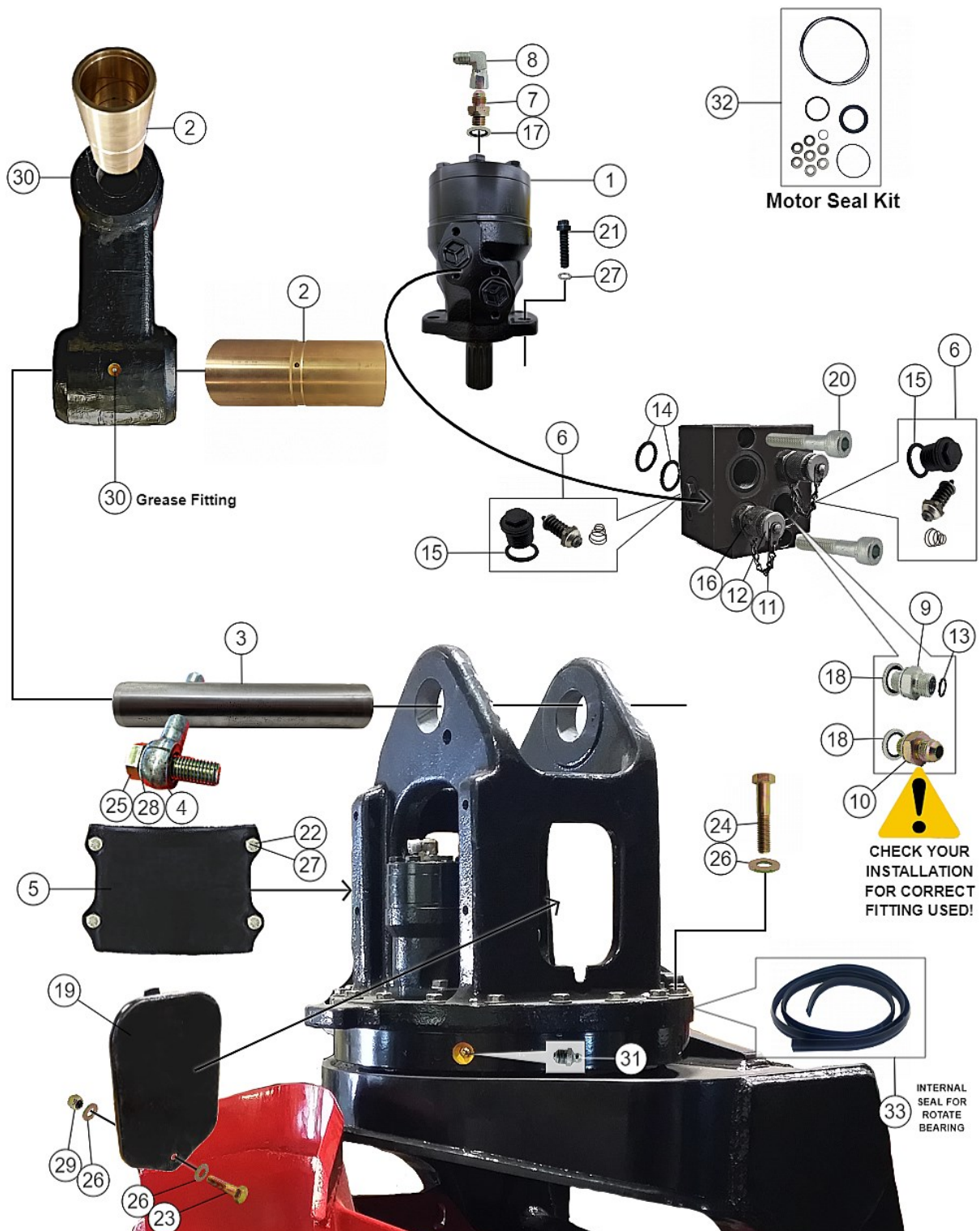
No.	Axis Part No	Qty	Description	Notes
1	GC500118	1	VALVE BANK COVER, FRONT	
2	GC312024	1	RUBBER HOSE COVER	
3	GC500121	1	GUARD - REAR VALVE BANK COVER	
4	GC500120	1	VALVE BANK COVER, REAR	
5	GFB71250	4	BOLT - M12 X 50MM HEX HEAD	
6	GFW5500	6	ANTI-VIBRATION LOCKWASHER 1/2" (M12)	
7	GFW1500	4	WASHER - 1/2" HARDENED	
8	GFB71230	2	BOLT - M12 X 30 HEX HEAD	

*All manufacturers names, numbers, marks, trademarks and symbols and descriptions are used for reference purposes only.
Use of parts not supplied from the original manufacturer on machines under manufacturer warranty could potentially void your
manufacturer warranty. Machined parts are built by Axis, not the original manufacturer.



ROTATE & TILT

623C Rotator for 270 Swivel



*All manufacturers names, numbers, marks, trademarks and symbols and descriptions are used for reference purposes only. Use of parts not supplied from the original manufacturer on machines under manufacturer warranty could potentially void your manufacturer warranty. Machined parts are built by Axis, not the original manufacturer.

623C Rotator for 270 Swivel

No.	Axis Part No	Qty	Description	Notes
1	MT540010	1	HYDRAULIC MOTOR - ROTATOR	
2	BW837618	2	BRONZE BUSHING DOGBONE LINK	
3	PN4000325	1	PIN - DOGBONE LINK	
4	PN150084	1	PIN - ROTATE PIN RETAINER	
5	GC700107	1	GUARD	
6	HV292080	2	SHOCK VALVE - 80 BAR	
7	HF2040-6-4	1	FITTING - #6 JIC MALE X #4 BSP MALE	
8	HF2939-6-6	1	FITTING - #6 JIC MALE X #6 JIC FEMALE 90°	
9	HF4060-8-8	1	FITTING - #8 BSPP MALE X #8 ORFS MALE	
10	HF2040-8-8	1	FITTING - #8 JIC MALE X #8 BSP MALE	
11	HF14TPC	1	TEST PORT CAP	
12	HF14TP	2	TEST PORT 1/4" BSPP	
13	R24323C	1	O-RING - #8 ORFS	
14	R24428C	2	O-RING	
15	T235395A	1	O-RING	
16	ED4	2	SPECIAL BSP SEAL #4	
17	BSP4	1	BSP BONDED SEAL #4	
18	BSP8	2	BSP BONDED SEAL #8	
19	GC622119	1	ROTATE GUARD	
20	GFB80845	2	BOLT - M8 X 45MM	
21	GFB94500200	4	BOLT - 1/2" X 2" 12 POINT HEAD	
22	GFB1500125	4	BOLT - 1/2" X 1.25" UNC HEX	
23	GFB1500200	2	BOLT - 1/2" X 2" UNC HEX	
24	GFB1500250	18	BOLT - 1/2" X 2.5" UNC HEX	
25	GFB1750200	1	BOLT - 3/4" x 2" UNC HEX HEAD	
26	GFW1500	20	WASHER - 1/2" HARDENED	
27	GFW5500	4	ANTI-VIBRATION LOCKWASHER 1/2"	
28	GFW5750	1	ANTIVIBRATION LOCKWASHER 3/4"	
29	GFN4500	1	NYLOCK NUT - 1/2" UNC	
30	GFZ14P	2	GREASE FITTING 1/4-28	
31	GFZ18P	1	GREASE FITTING 1/8" NPT	
32	SK540011	1	SEAL KIT	
33	SK170100	1	SEAL - ROTATE BEARING	

*All manufacturers names, numbers, marks, trademarks and symbols and descriptions are used for reference purposes only. Use of parts not supplied from the original manufacturer on machines under manufacturer warranty could potentially void your manufacturer warranty. Machined parts are built by Axis, not the original manufacturer.

623C 270 Swivel



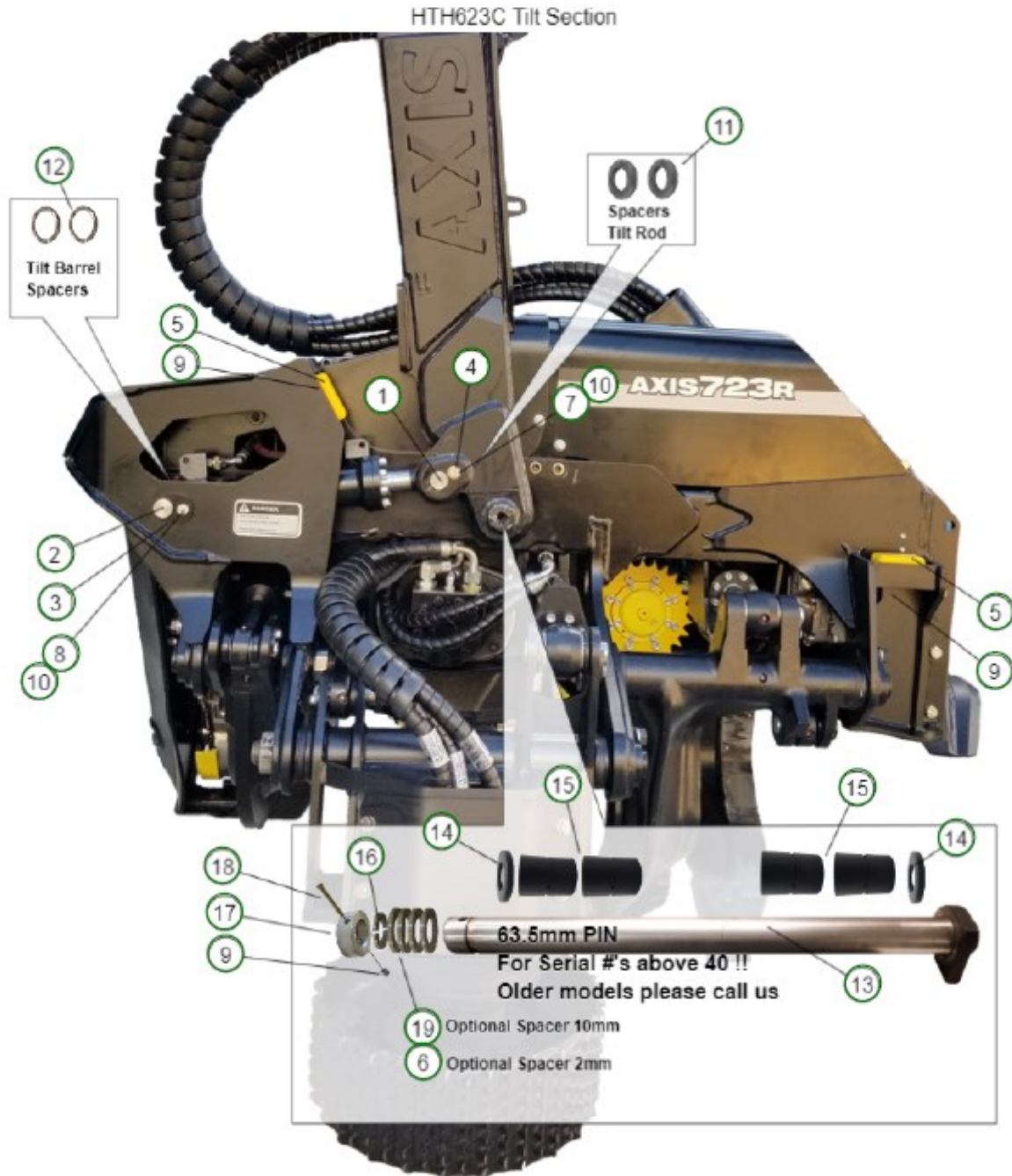
*All manufacturers names, numbers, marks, trademarks and symbols and descriptions are used for reference purposes only. Use of parts not supplied from the original manufacturer on machines under manufacturer warranty could potentially void your manufacturer warranty. Machined parts are built by Axis, not the original manufacturer.

623C 270 Swivel

No.	Axis Part No	Qty	Description	Notes
1	HS640100	1	HOSE SWIVEL - HEAVY DUTY COMPLETE KIT	INCLUDES FITTINGS, BUSHINGS AND HARD- INNER AND OUTER SWIVEL ONLY
2	HS640101	1	HOSE SWIVEL - HEAVY DUTY INNER & OUTER	
3	HF2040-20-16	2	FITTING - #20 JIC MALE X #16 BSP MALE	
4	HF4060-16-16	2	FITTING - #16 BSPP MALE X #16 ORFS MALE	
5	GFB1875325	2	BOLT - 7/8" UNC X 3-1/4"	
6	BW282320	2	NYLON BUSHING - SWIVEL BOLT	
7	GFW1875	2	WASHER - 7/8" HARDENED	
8	GFN4875	2	NUT - NYLOCK 7/8" UNC	
9	GFB3625275	2	BOLT S/CAP - 5/8" X 2-3/4" UNC	
10	GFZ18P	3	GREASE FITTING	
11	BSP16	4	BSP BONDED SEAL #16	
12	R24330C	2	O-RING #16 ORFS	

*All manufacturers names, numbers, marks, trademarks and symbols and descriptions are used for reference purposes only.
Use of parts not supplied from the original manufacturer on machines under manufacturer warranty could potentially void your
manufacturer warranty. Machined parts are built by Axis, not the original manufacturer.

623C Tilt



*All manufacturers names, numbers, marks, trademarks and symbols and descriptions are used for reference purposes only. Use of parts not supplied from the original manufacturer on machines under manufacturer warranty could potentially void your manufacturer warranty. Machined parts are built by Axis, not the original manufacturer.

623C Tilt

No.	Axis Part No	Qty	Description	Notes
1	PN242135	1	PIN	
2	PN247165	1	PIN	
3	MR242575	1	PIN RETAINER	
4	MR242578	1	PIN RETAINER	
5	MR561042	4	BUMPER	
6	MR401386	1	THIN SPACER	
7	GFB71225	1	BOLT - M12 X 25 HEX HEAD	
8	GFB71230	1	BOLT - M12 X 30 HEX HEAD	
9	GFN4500	9	NUT - NYLOCK 1/2" UNC	
10	GFW5500	1	ANTI-VIBRATION LOCKWASHER 1/2" (M12)	
11	BW643810	2	WASHER	
12	BW483804	2	SPACER	
13	PN4030827	1	PIN	
14	BW631105	2	SPACER	
15	BW7763100	4	BUSHING (SN 058+)	
16	MR401391	1	SPLIT RING	
17	MR401390	1	RETAINER	
18	GFB1500450	1	BOLT - 1/2" X 4.50" UNC HEX HEAD	
19	MR401392	1	SPACER	

*All manufacturers names, numbers, marks, trademarks and symbols and descriptions are used for reference purposes only. Use of parts not supplied from the original manufacturer on machines under manufacturer warranty could potentially void your manufacturer warranty. Machined parts are built by Axis, not the original manufacturer.

623C Tilt Bumpers



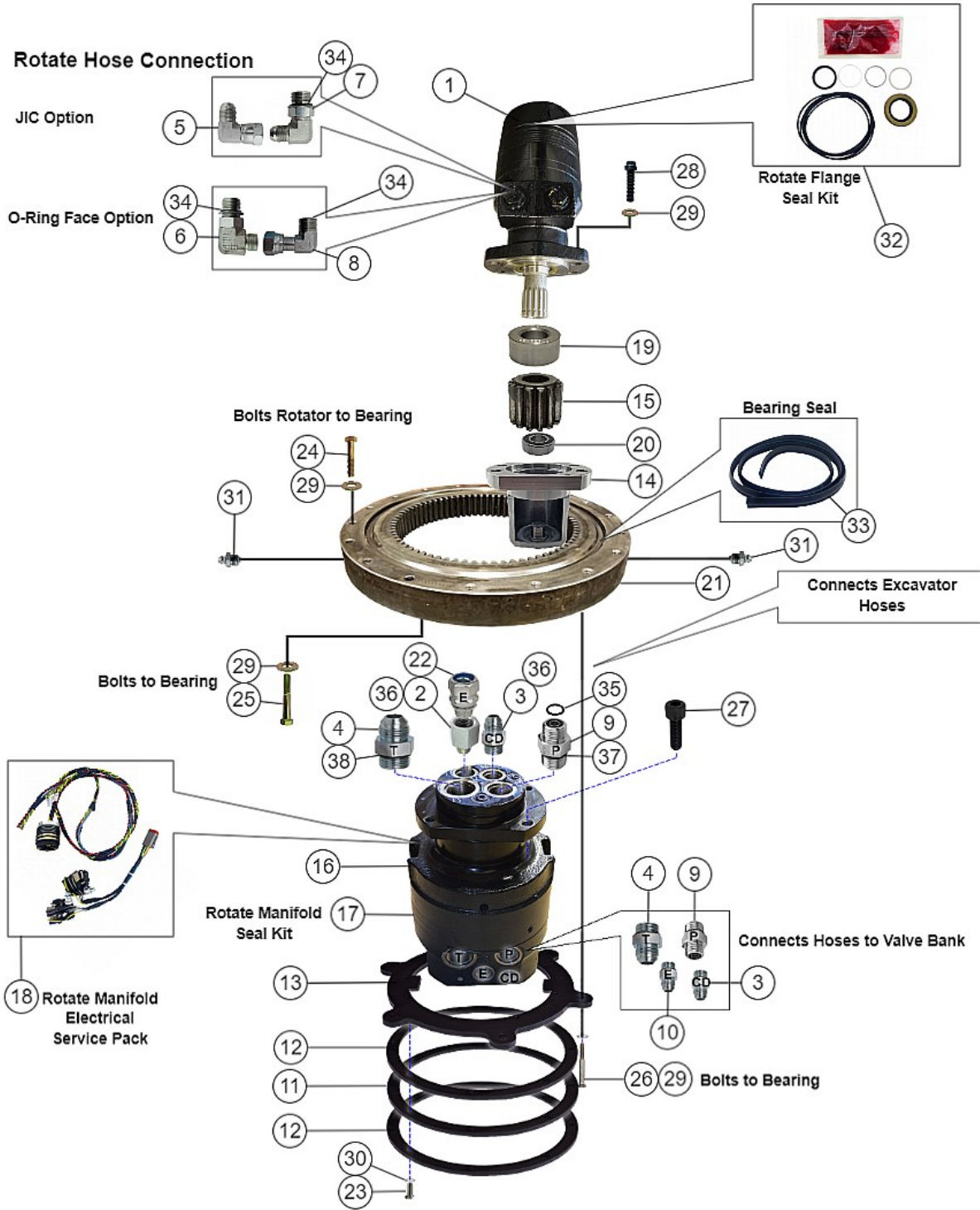
*All manufacturers names, numbers, marks, trademarks and symbols and descriptions are used for reference purposes only. Use of parts not supplied from the original manufacturer on machines under manufacturer warranty could potentially void your manufacturer warranty. Machined parts are built by Axis, not the original manufacturer.

623C Tilt Bumpers

No.	Axis Part No	Qty	Description	Notes
1	MR561042	3	BUMPER	
2	GFN4500	6	NYLOCK NUT, 1/2"	

*All manufacturers names, numbers, marks, trademarks and symbols and descriptions are used for reference purposes only. Use of parts not supplied from the original manufacturer on machines under manufacturer warranty could potentially void your manufacturer warranty. Machined parts are built by Axis, not the original manufacturer.

Axis 360 Swivel - Continuous Rotation

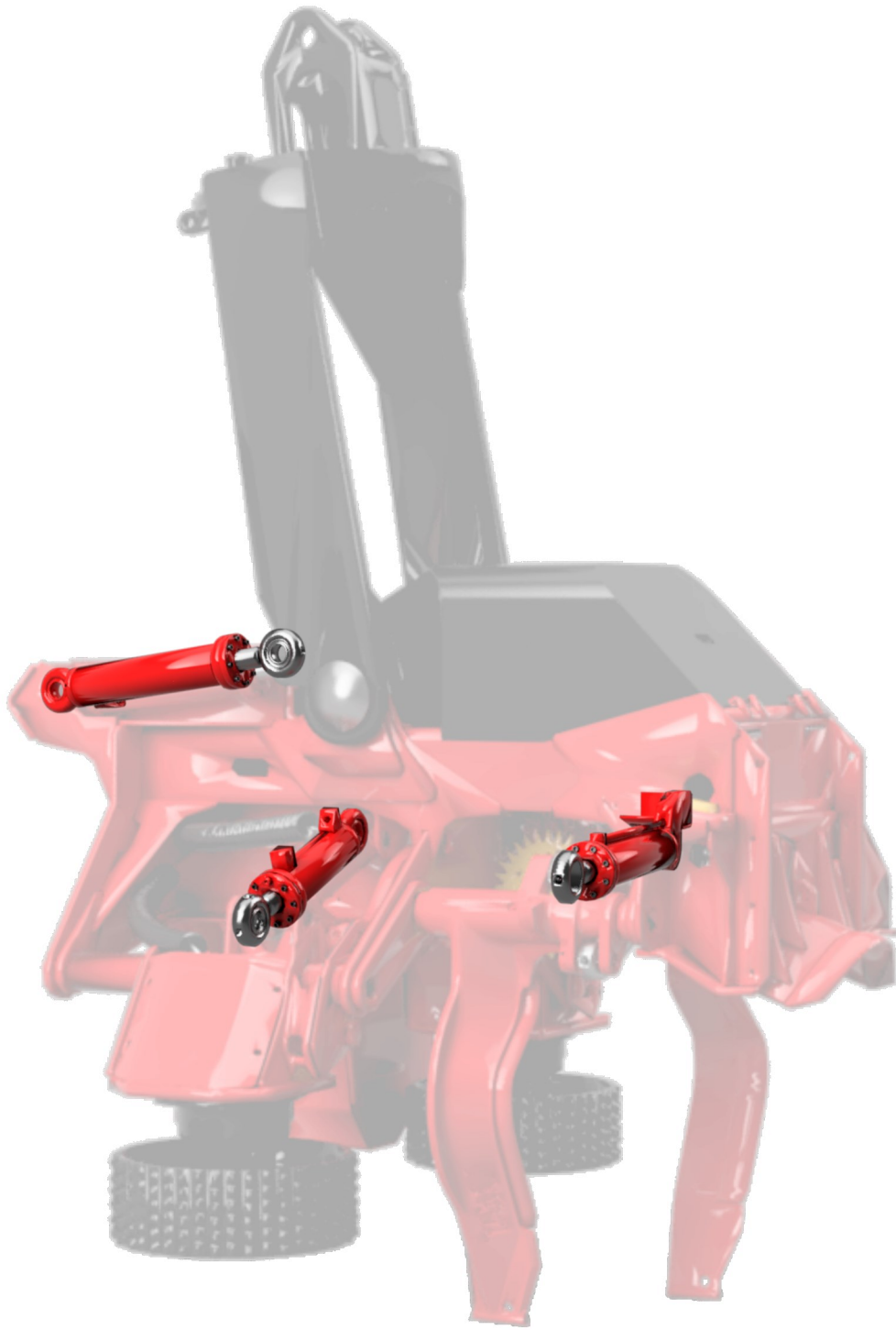


*All manufacturers names, numbers, marks, trademarks and symbols and descriptions are used for reference purposes only. Use of parts not supplied from the original manufacturer on machines under manufacturer warranty could potentially void your manufacturer warranty. Machined parts are built by Axis, not the original manufacturer.

Axis 360 Swivel - Continuous Rotation

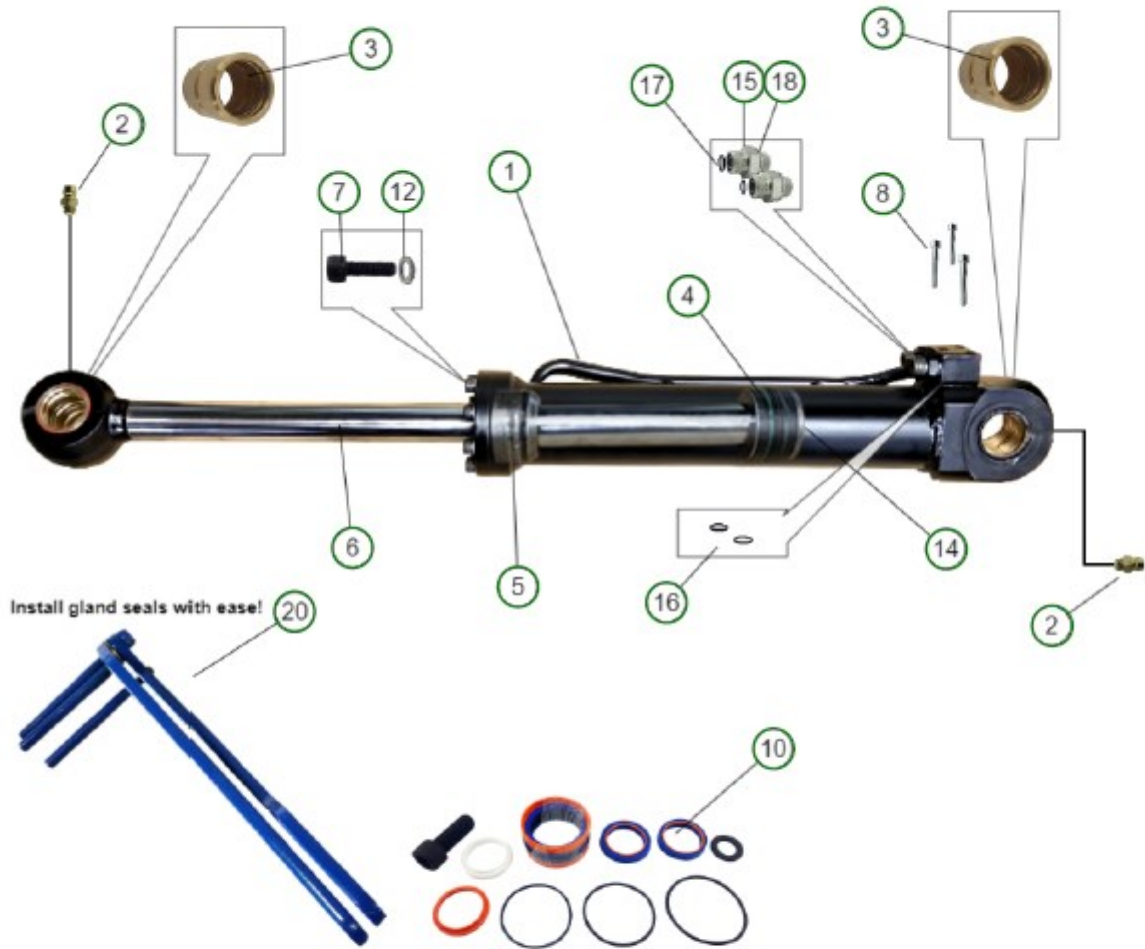
No.	Axis Part No	Qty	Description	Notes
1	MT540015	1	HYDRAULIC MOTOR 360° ROTATE	
2	HF2080-12-12	1	FITTING - #12 MALE JIC #12 MALE ORB STRAIGHT	
3	HF2080-12-12	2	FITTING - #12 MALE JIC #12 MALE ORB STRAIGHT	
4	HF2080-20-20	2	FITTING - #20 MALE JIC X #20 MALE ORB	
5	HF2939-8-8	2	FITTING - #8 JIC MALE X #8 JIC FEMALE 90°	
6	HF4969-8-10	2	FITTING - #8 MALE ORFS X #10 MALE ORB 90°	
7	HF2989-8-10	2	FITTING - #8 MALE JIC X #10 ORB MALE 90°	
8	HF6979-8-8	2	FITTING - #8 ORFS MALE X #8 ORFS FEMALE 90°	
9	HF6080-16-16	2	FITTING - #16 MALE ORFS #16 MALE ORB	
10	RT100110	1	SPECIAL FITTING FOR ELECTRICAL ON 360° RO-	
11	RT110812	1	RUBBER SEAL	
12	RT110925	2	PLATE FOR RUBBER SEAL	
13	RT130938	1	TABBED PLATE	
14	RT200101	1	ROTATE PINION SUPPORT	
15	RT200102	1	ROTATE PINION GEAR	
16	RT540940	1	360° ROTATE MANIFOLD	
17	RT540941	1	360° ROTATE MANIFOLD SEAL KIT	
18	RT540942	1	360° ROTATE MANIFOLD ELECTRICAL SERVICE	
19	RT663428	1	SPACER - 360° ROTATE PINION	
20	BR115756	1	BEARING - ROTATE HOUSING	
21	BR115761	1	ROTATE BEARING	
22				
23	GFB1312125	8	BOLT - 5/16" X 1.25" UNC HEX	
24	GFB1500250	18	BOLT - 1/2" X 2.5" UNC HEX	
25	GFB1500300	18	BOLT - 1/2" X 3" UNC HEX	
26	GFB1500350	6	BOLT - 1/2" X 3.5" UNC HEX	
27	GFB81650	4	BOLT - M16 X 50 SOCKET HEAD	
28	GFB94500200	4	BOLT - 1/2" X 2" 12 POINT HEAD	
29	GFW1500	40	WASHER - 1/2" HARDENED	
30	GFW5312	8	ANTI-VIBRATION LOCKWASHER 5/16"	
31	GFZ18P	2	ZERK FITTING 1/8" PIPE	
32	SK540015	1	SEAL KIT	
33	SK170100	2	SEAL - ROTATE BEARING	
34	R24323C	3	O-RING	
35	R24330C	1	O-RING	
36	ORB3-912	1	O-RING #12 ORB	
37	ORB3-916	1	O-RING #16 ORB	
38	ORB3-920V	1	O-RING #20 ORB	

*All manufacturers names, numbers, marks, trademarks and symbols and descriptions are used for reference purposes only. Use of parts not supplied from the original manufacturer on machines under manufacturer warranty could potentially void your manufacturer warranty. Machined parts are built by Axis, not the original manufacturer.



CYLINDERS GROUP

623C Delimb Cylinder



*All manufacturers names, numbers, marks, trademarks and symbols and descriptions are used for reference purposes only. Use of parts not supplied from the original manufacturer on machines under manufacturer warranty could potentially void your manufacturer warranty. Machined parts are built by Axis, not the original manufacturer.

623C Delimb Cylinder

No.	Axis Part No	Qty	Description	Notes
1	CW115103	1	COMPLETE CYLINDER	
2	GFZ6	2	M6 GREASE FITTING	
3	BW874465	2	BRONZE BUSHING	
4	CW515500	1	PISTON	
5	CW415400	1	GLAND	
6	CW315303	1	ROD	
7	GFB81030	8	BOLT - M10 X 30MM SOCKET HEAD	
8	GFB80640	3	BOLT - M6X 40MM SOCKET HED	
10	SK400704	1	SEAL KIT	
12	GFW5375	8	ANTI-VIBRATION LOCKWASHER 3/8"	
14	GFB82055	1	BOLT - M20 X 55M SOCKET HEAD	
15	HF4060-8-8	2	FITTING - #8 BSP MALE X #8 ORFS MALE	
16	R24321C	2	O-RING - #6 ORFS	
17	R24323C	2	O-RING - #8 ORFS	
18	BSP8	2	BONDED SEAL #8 (1/2")	
20	AT100103	1	GLAND SEAL INSTALLATION TOOL	

*All manufacturers names, numbers, marks, trademarks and symbols and descriptions are used for reference purposes only. Use of parts not supplied from the original manufacturer on machines under manufacturer warranty could potentially void your manufacturer warranty. Machined parts are built by Axis, not the original manufacturer.

623C Lower Delimb Cylinder



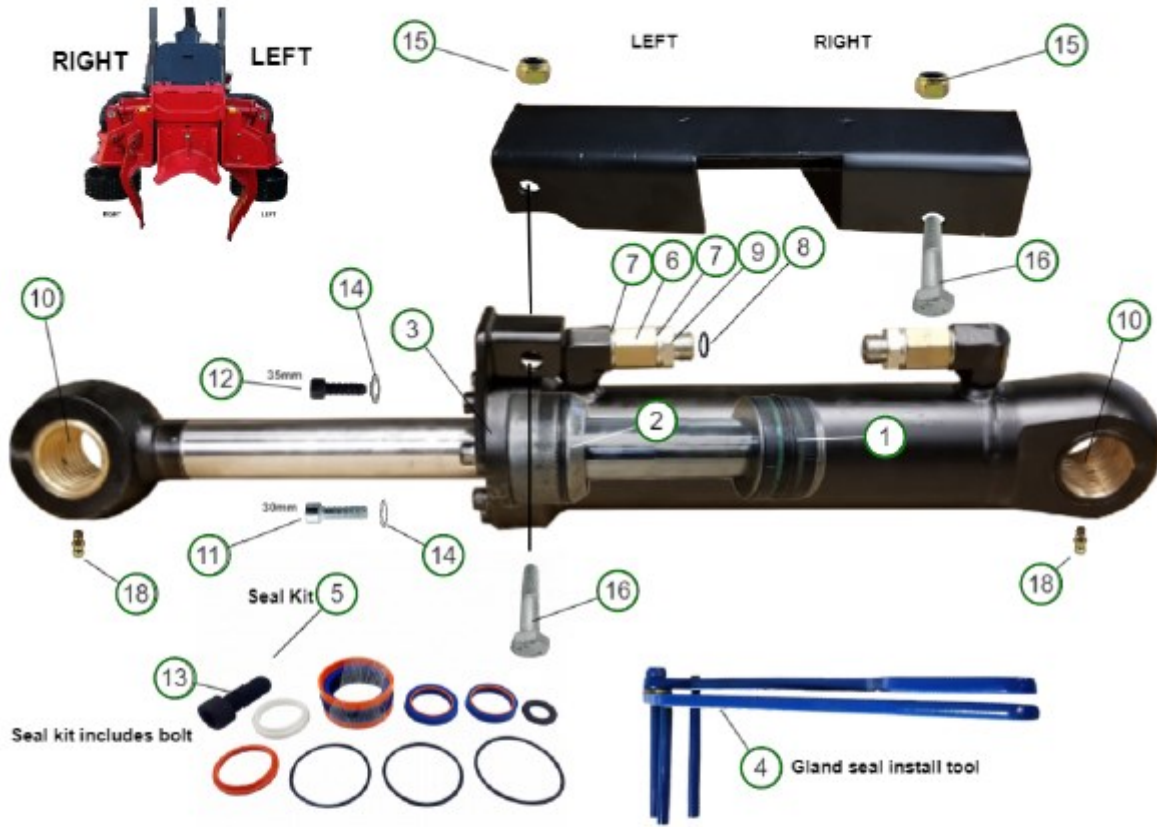
*All manufacturers names, numbers, marks, trademarks and symbols and descriptions are used for reference purposes only. Use of parts not supplied from the original manufacturer on machines under manufacturer warranty could potentially void your manufacturer warranty. Machined parts are built by Axis, not the original manufacturer.

623C Lower Delimb Cylinder

No.	Axis Part No	Qty	Description	Notes
0			COMPLETE CYLINDER	
1	GFZ6	2	M6 GREASE FITTING	
2	SBB20-2RS/Z	2	SPHERICAL BUSHING	
3	GFS571	2	SNAP RING	
4	AT100103	1	GLAND SEAL INSTALLATION TOOL	
5	SK360703	1	SEAL KIT	
6	GFB81650	1	BOLT - M16 X 50 SOCKET HEAD	
7	HF4060-6-6	2	FITTING - #6 BSPP MALE X #6 ORFS MALE	
8	R24321C	2	O-RING - #6 ORFS	
9	BSP6	2	BONDED SEAL - #6 (3/8")	

*All manufacturers names, numbers, marks, trademarks and symbols and descriptions are used for reference purposes only. Use of parts not supplied from the original manufacturer on machines under manufacturer warranty could potentially void your manufacturer warranty. Machined parts are built by Axis, not the original manufacturer.

623C Feed Arms Cylinders



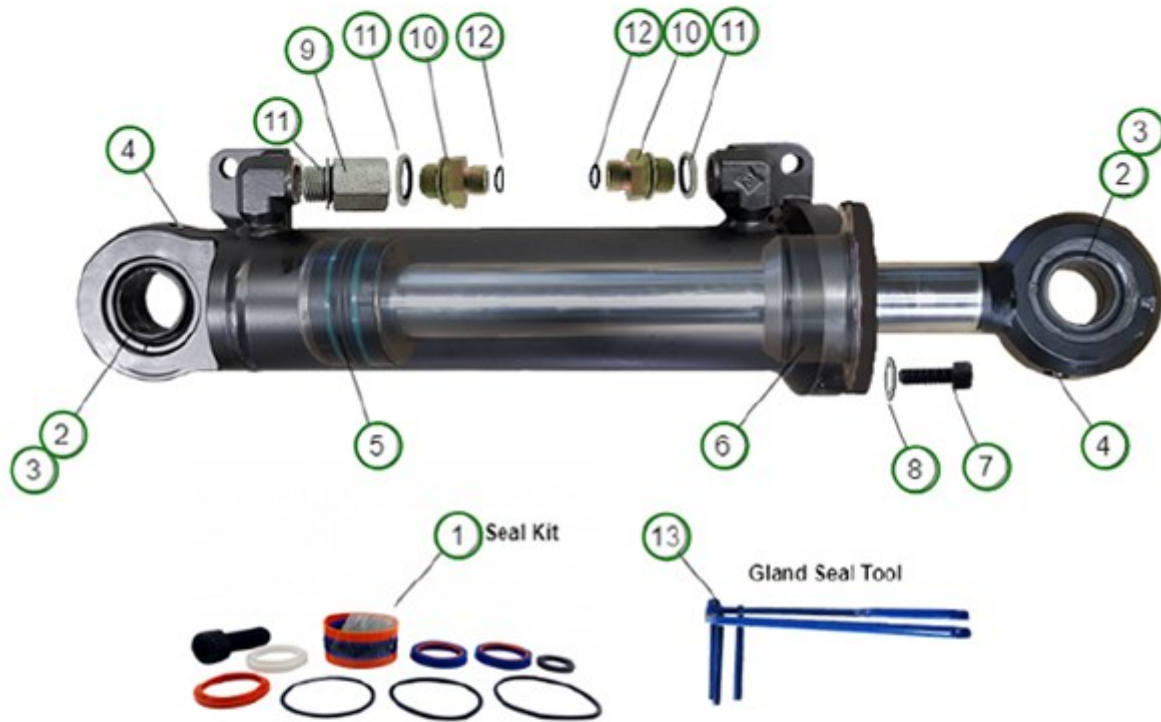
*All manufacturers names, numbers, marks, trademarks and symbols and descriptions are used for reference purposes only. Use of parts not supplied from the original manufacturer on machines under manufacturer warranty could potentially void your manufacturer warranty. Machined parts are built by Axis, not the original manufacturer.

623C Feed Arms Cylinders

No.	Axis Part No	Qty	Description	Notes
0			COMPLETE CYLINDER	
1	CW515500	1	PISTON	
2	CW415400	1	GLAND	
3	CW615600	1	CYLINDER CAP	
4	AT100103	1	GLAND SEAL INSTALLATION TOOL	
5	SK400704	1	SEAL KIT	
6	HF4050-8-8	2	FITTING - #8 BSP MALE X #8 BSP FEMALE SOLID	
7	BSP8	2	BONDED SEAL #8 (1/2")	
8	R23423C	2	O-RING - #8 ORFS	
9	HF4060-8-8	2	FITTING - #8 BSP MALE X #8 ORFS MALE	
10	BW874465	2	BRONZE BUSHING	
11	GFB81030	4	BOLT - M10 X 30MM SOCKET HEAD	
12	GFB81035	4	BOLT - M10 X 35MM SOCKET HEAD	
13	GFB82050	1	BOLT - M20 X 50MM SOCKET HEAD	
14	GFW5375	8	ANTI-VIBRATION LOCKWASHER 3/8" (M10)	
15	GFN612	1	NUT - M12 NYLOCK	
16	GFB71260	2	BOLT - M12 X 60MM HEX HEAD	
18	GFZ6	2	M6 GREASE FITTING	

*All manufacturers names, numbers, marks, trademarks and symbols and descriptions are used for reference purposes only. Use of parts not supplied from the original manufacturer on machines under manufacturer warranty could potentially void your manufacturer warranty. Machined parts are built by Axis, not the original manufacturer.

623C Tilt Cylinder



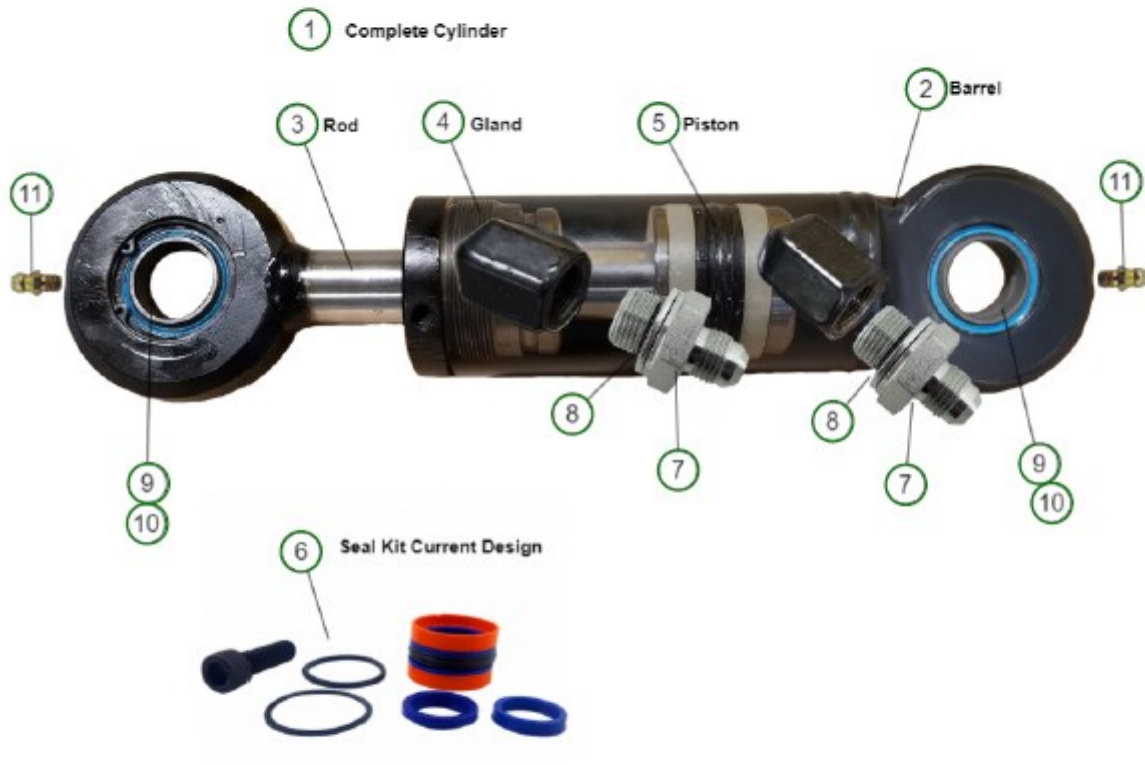
*All manufacturers names, numbers, marks, trademarks and symbols and descriptions are used for reference purposes only. Use of parts not supplied from the original manufacturer on machines under manufacturer warranty could potentially void your manufacturer warranty. Machined parts are built by Axis, not the original manufacturer.

623C Tilt Cylinder

No.	Axis Part No	Qty	Description	Notes
0			COMPLETE CYLINDER	
1	SK400704	1	SEAL KIT	
2	SBB24-2RS/Z	2	SPHERICAL BUSHING	
3	GFS592	2	SNAP RING	
4	GFZ6	2	M6 GREASE FITTING	
5	CW515500	1	PISTON	
6	CW415400	1	GLAND	
7	GFB81030	8	BOLT - M10 X 30MM SOCKET HEAD	
8	GFW5375	8	ANTI-VIBRATION LOCKWASHER 3/8"	
9	HF4050-8-8	1	FITTING - #8 BSP MALE X #8 BSP FEMALE SOLID	
10	HF4060-8-6	1	FITTING - #8 BSP MALE X #6 ORFS MLE	
11	BSP8	1	BONDED SEAL #8 (1/2")	
12	R24321C	2	O-RING - #6 ORFS	
13	AT100103	1	GLAND SEAL INSTALLATION TOOL	

*All manufacturers names, numbers, marks, trademarks and symbols and descriptions are used for reference purposes only. Use of parts not supplied from the original manufacturer on machines under manufacturer warranty could potentially void your manufacturer warranty. Machined parts are built by Axis, not the original manufacturer.

623C Measure Cylinder



*All manufacturers names, numbers, marks, trademarks and symbols and descriptions are used for reference purposes only. Use of parts not supplied from the original manufacturer on machines under manufacturer warranty could potentially void your manufacturer warranty. Machined parts are built by Axis, not the original manufacturer.

623C Measure Cylinder



No.	Axis Part No	Qty	Description	Notes
1	CW110100	1	COMPLETE CYLINDER	
2	CW210200	1	BARREL	
3	CW310300	1	ROD	
4	CW410400	1	GLAND	
5	CW510500	1	PISTON	
6	SK320702	1	SEAL KIT	
7	HF2040-6-6	1	FITTING - #6 JIC MALE X #6 BSP MALE	
8	BSP6	2	BONDED SEAL #6 (3/8")	
9	SBB16-2RS/Z	2	SPHERICAL BUSHING	
10	GFS561	2	SNAP RING	
11	GFZ14P	2	GREASE FITTING 1/4-28	

*All manufacturers names, numbers, marks, trademarks and symbols and descriptions are used for reference purposes only. Use of parts not supplied from the original manufacturer on machines under manufacturer warranty could potentially void your manufacturer warranty. Machined parts are built by Axis, not the original manufacturer.

623C Main Saw Cylinder



*All manufacturers names, numbers, marks, trademarks and symbols and descriptions are used for reference purposes only. Use of parts not supplied from the original manufacturer on machines under manufacturer warranty could potentially void your manufacturer warranty. Machined parts are built by Axis, not the original manufacturer.

623C Main Saw Cylinder

No.	Axis Part No	Qty	Description	Notes
0			COMPLETE CYLINDER	
00			BARREL	
1	SK320702	1	SEAL KIT	
2	GFZ6	2	M6 GREASE FITTING	
3	HF2040-6-6	2	FITTING - #6JIC MALE X #6 BSP MALE	
4	BSP6	2	BONDED SEAL #6 (3/8")	
5	SBB16-2RS/Z	2	SPHERICAL BUSHING	
6	GFS561	2	SNAP RING	
7	CW410400	1	GLAND	
8	CW510500	1	PISTON	

*All manufacturers names, numbers, marks, trademarks and symbols and descriptions are used for reference purposes only.
Use of parts not supplied from the original manufacturer on machines under manufacturer warranty could potentially void your
manufacturer warranty. Machined parts are built by Axis, not the original manufacturer.

623C Top Saw Cylinder



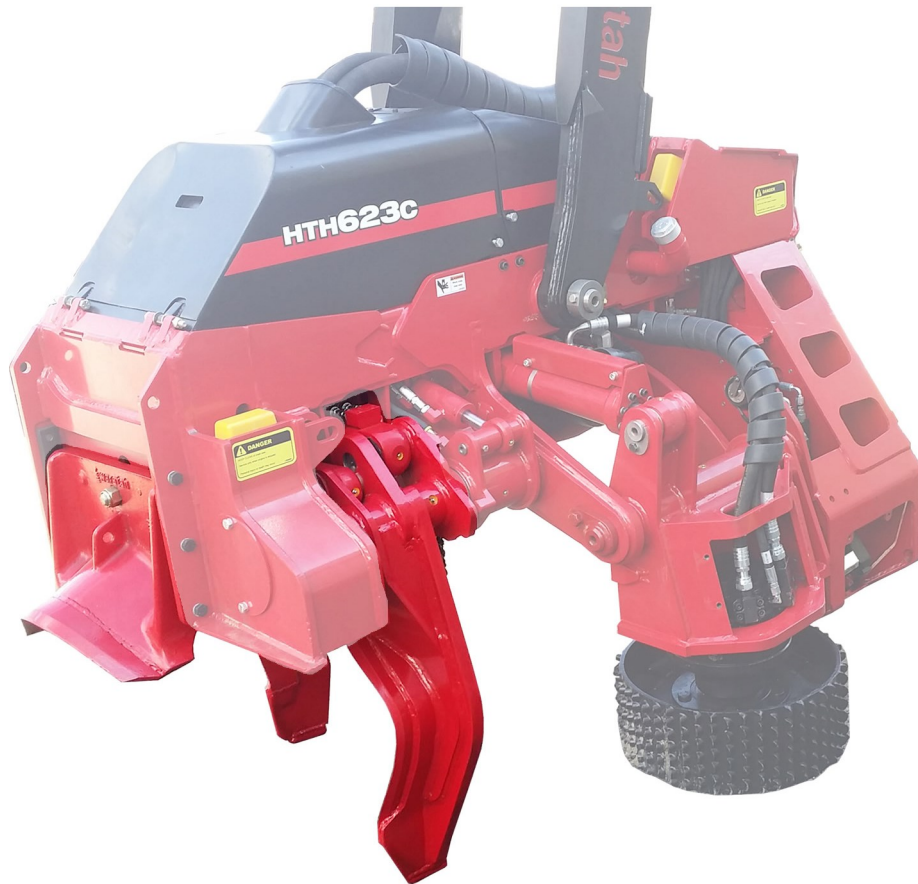
*All manufacturers names, numbers, marks, trademarks and symbols and descriptions are used for reference purposes only. Use of parts not supplied from the original manufacturer on machines under manufacturer warranty could potentially void your manufacturer warranty. Machined parts are built by Axis, not the original manufacturer.

623C Top Saw Cylinder



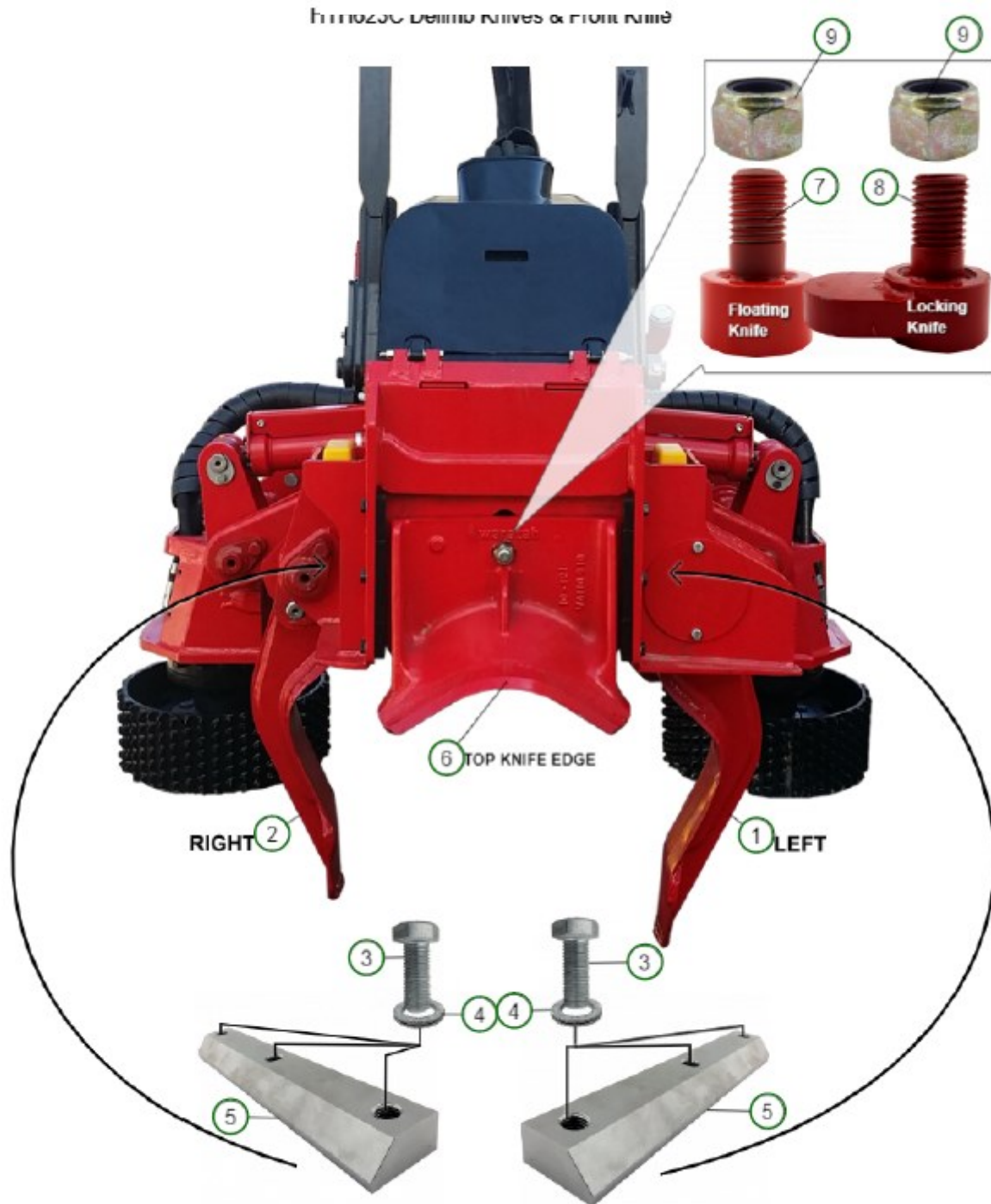
No.	Axis Part No	Qty	Description	Notes
1	CW105100		COMPLETE CYLINDER	
2	SK240701	1	SEAL KIT	
3	SBB12-2RS/Z	2	SPHERICAL BUSHING	
4	GFS551	2	SNAP RING	
5	GFZ14P	1	GREASE FITTING 1/4-28	
6	GFZ14P45	1	GREASE FITTING 1/4" X 45 DEGREE	
7	CW405400	1	GLAND	
8	CW505500	1	PISTON	
9	CW305300	1	ROD	
10	BSP6	2	BONDED SEAL #6 (3/8")	
11	HF2040-6-6	2	FITTING - #6 JIC MALE X #6 BSP MALE	

*All manufacturers names, numbers, marks, trademarks and symbols and descriptions are used for reference purposes only. Use of parts not supplied from the original manufacturer on machines under manufacturer warranty could potentially void your manufacturer warranty. Machined parts are built by Axis, not the original manufacturer.



DELIMBING

623C Axis Front Knife



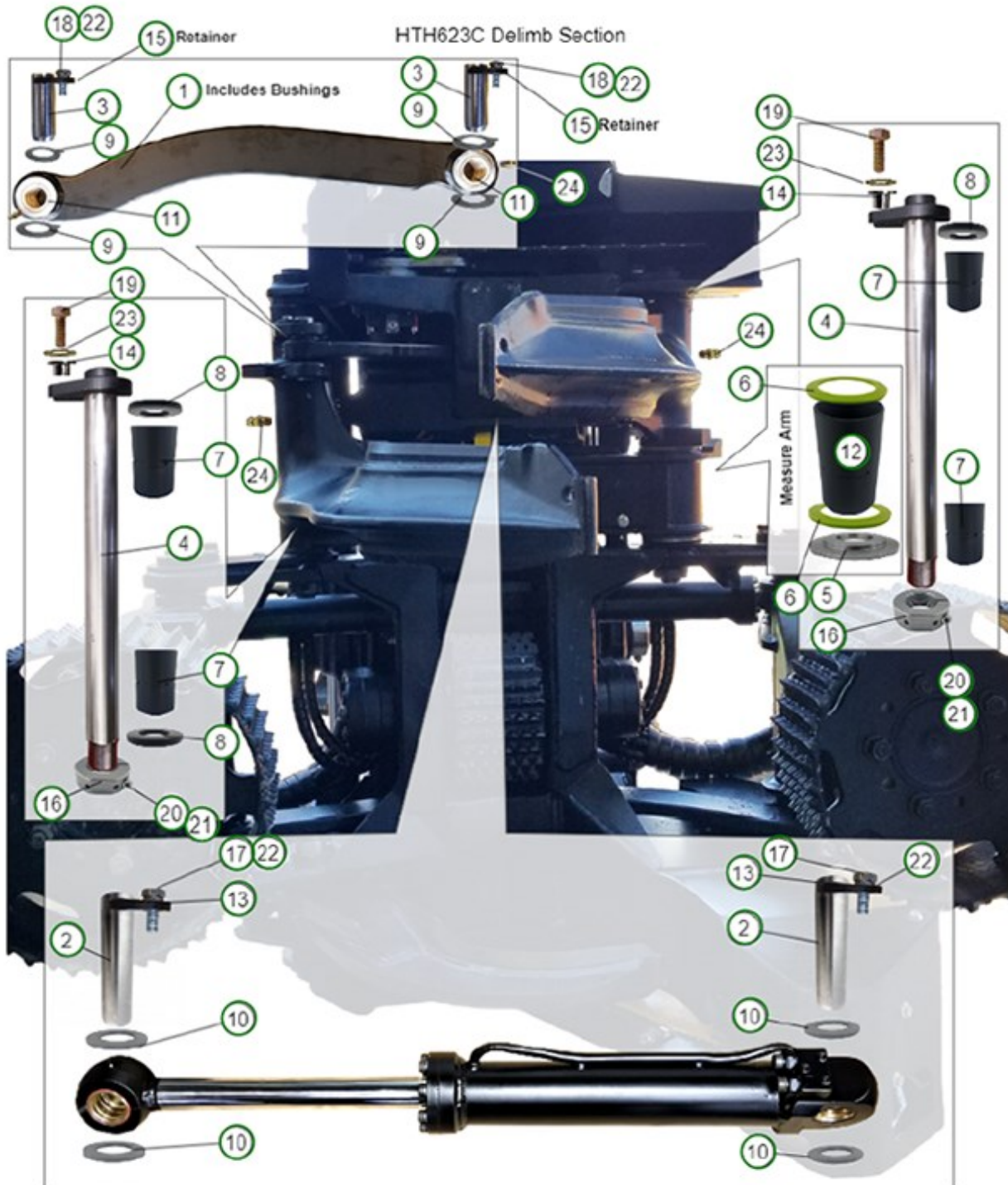
*All manufacturers names, numbers, marks, trademarks and symbols and descriptions are used for reference purposes only. Use of parts not supplied from the original manufacturer on machines under manufacturer warranty could potentially void your manufacturer warranty. Machined parts are built by Axis, not the original manufacturer.

623C Axis Front Knife

No.	Axis Part No	Qty	Description	Notes
1	MK225403	1	KNIFE EDGE LEFT	
2	MK225404	1	KNIFE EDGE RIGHT	
3	GFB71640	6	BOLT - M16 X 40MM HEX HEAD	
4	GFW5625	6	ANTIVIBRATION LOCKWASHER 5/8" (M16)	
5	MK226326	2	TOP KNIFE GUIDE--ANGLED	
6	MK226003	1	TOP KNIFE EDGE	
7	MR226300	1	RETAINER,- FLOATING KNIFE	
8	MR226305	1	RETAINER - LOCKING KNIFE	
9	GFN41000	1	NUT - NYLOCK 1" UNC	

*All manufacturers names, numbers, marks, trademarks and symbols and descriptions are used for reference purposes only. Use of parts not supplied from the original manufacturer on machines under manufacturer warranty could potentially void your manufacturer warranty. Machined parts are built by Axis, not the original manufacturer.

623C Axis Delimb Arms



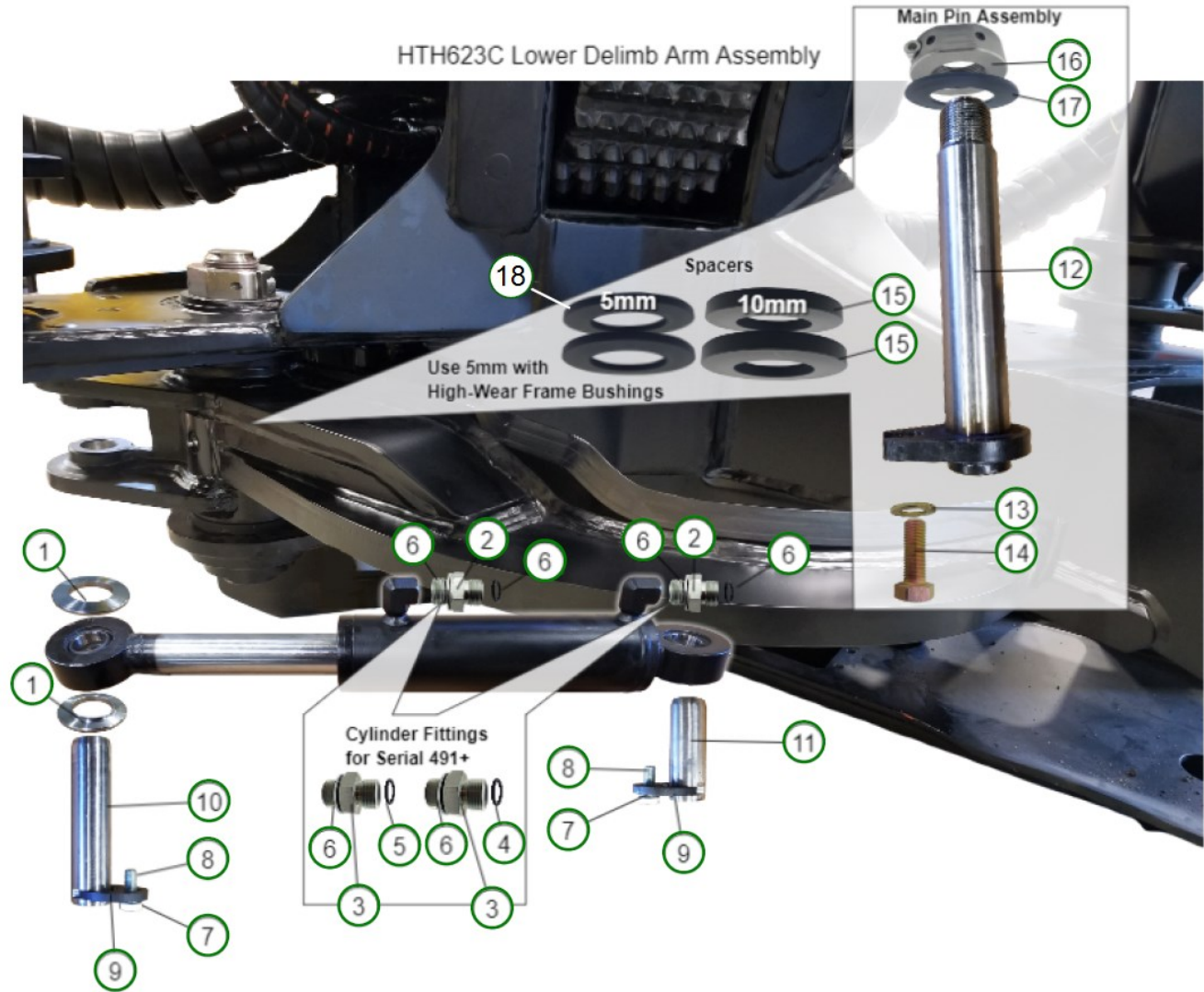
*All manufacturers names, numbers, marks, trademarks and symbols and descriptions are used for reference purposes only. Use of parts not supplied from the original manufacturer on machines under manufacturer warranty could potentially void your manufacturer warranty. Machined parts are built by Axis, not the original manufacturer.

623C Axis Delimb Arms

No.	Axis Part No	Qty	Description	Notes
1	DL450033	1	DELIMB LINK	
2	PN282170	2	PIN	
3	PN242124	1	PIN	
4	PN343678	2	PIN	
5	BW1258212	1	STEPPED SPACER	
6	BW130975	2	NYLON SPACER	
7	BW5570100	4	BUSHING	
8	BW5710010	3	NYLON SPACER	
9	BW643802C	4	STEEL WASHER	
10	BW754445	4	SPACER	
11	BW813850	2	BRONZE BUSHING	
12	BW9582194	1	NYLON BUSHING (TO SN 491)	
13	MR242576	2	PIN RETAINER	
14	MR242577	2	PIN RETAINER	
15	MR242578	1	PIN RETAINER	
16	MR363048	2	SPLIUT LOCK NUT	
17	GFB71230	2	BOLT - M12 X 30MM HEX HEAD	
18	GFB71235	1	BOLT-M12 X 35MM HEX HEAD	
19	GFB72055	2	BOLT-M20 X 55MM HEX HEAD	
20	GFB80830	2	BOLT - M8 X 30MM SOCKET HEAD	
21	GFW5312	2	ANTI-VIBRATION LOCKWASHER 5/16 (M8)	
22	GFW1500	4	WASHER - 1/2" HARDENED	
23	GFW1750	2	WASHER - 3/4" HARDENED	
24	GFZ6	6	M6 GREASE FITTING	

*All manufacturers names, numbers, marks, trademarks and symbols and descriptions are used for reference purposes only.
Use of parts not supplied from the original manufacturer on machines under manufacturer warranty could potentially void your
manufacturer warranty. Machined parts are built by Axis, not the original manufacturer.

623C Axis Lower Delimb Arms

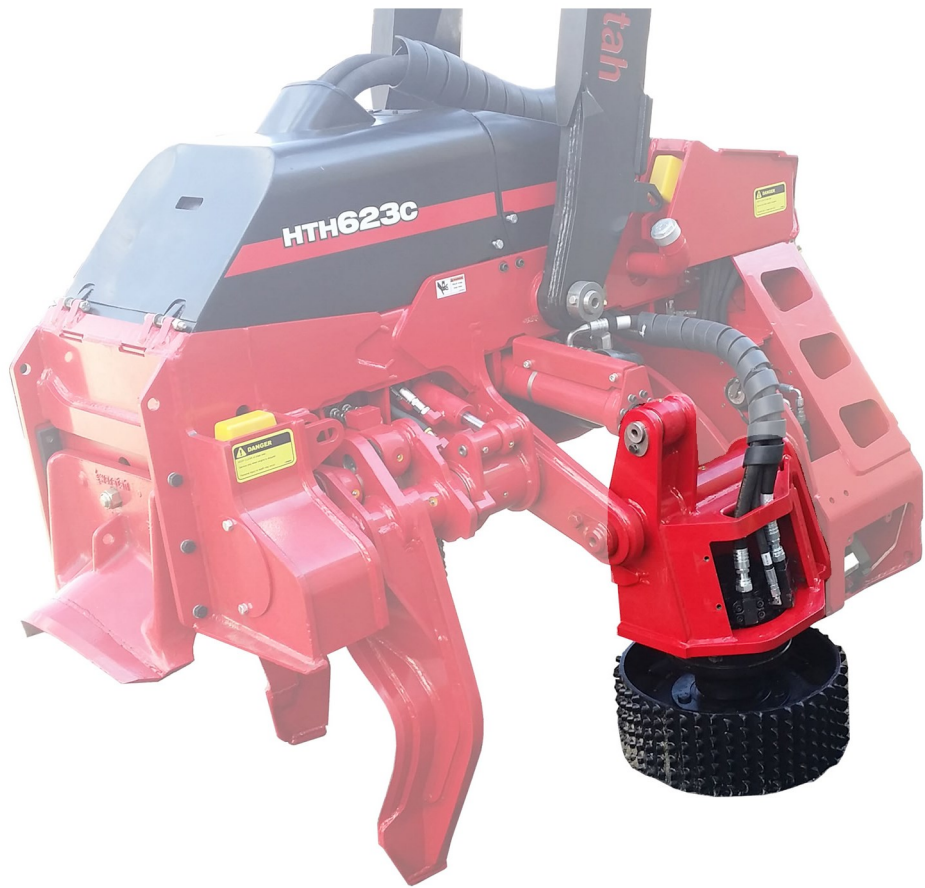


*All manufacturers names, numbers, marks, trademarks and symbols and descriptions are used for reference purposes only. Use of parts not supplied from the original manufacturer on machines under manufacturer warranty could potentially void your manufacturer warranty. Machined parts are built by Axis, not the original manufacturer.

623C Axis Lower Delimb Arms

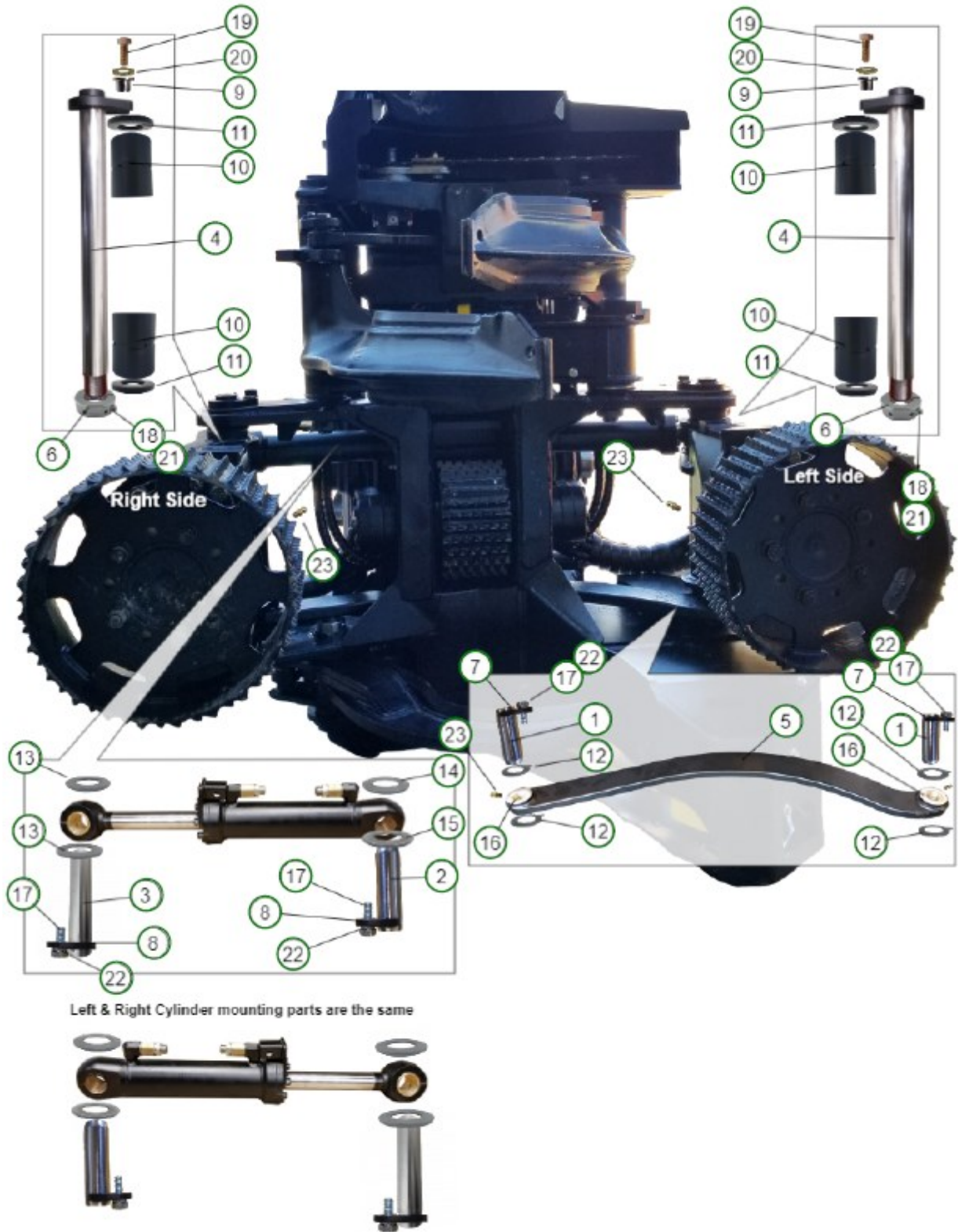
No.	Axis Part No	Qty	Description	Notes
1	BW553206	2	SPACER - CYLINDER	
2	HF4060-6-6	2	FITTING - #6 BSP MALE X #6 ORFS MALE	
3	HF4060-6-8	1	FITTING - #6 BSP MLE X #8 ORFS MALE	
4	R24321C	2	O-RING - #6 ORFS	
5	R24323C	1	O-RING - #8 ORFS	
6	BSP6	2	BONDED SEAL - #6 (3/8")	
7	GFW5375	2	ANTI-VIBRATION LOCKWASHER 3/8" (M10)	
8	GFB71025	2	BOLT - M10 X 25MM HEX HEAD	
9	MR202600	2	RETAINER 1 1/4" PIN	
10	PN202135	1	PIN - SN# -118	
11	PN202097	1	PIN	
12	PN343120	1	PIN	
13	GFW1750	1	WASHER - 3/4" HARDENED	
14	GFB72055	1	BOLT - M20 X 55MM HEX HEAD	
15	BW5710010	2	NYLON SPACER 10mm	
16	MR363048	1	SPLIT LOCK NUT	
17	BW865105	2	NYLON WASHER - FOR M48 LOCKNUT	
18	BW5710005	2	NYLON SPACER 5mm	

*All manufacturers names, numbers, marks, trademarks and symbols and descriptions are used for reference purposes only. Use of parts not supplied from the original manufacturer on machines under manufacturer warranty could potentially void your manufacturer warranty. Machined parts are built by Axis, not the original manufacturer.



FEED ARMS

623C Feed Arms



*All manufacturers names, numbers, marks, trademarks and symbols and descriptions are used for reference purposes only. Use of parts not supplied from the original manufacturer on machines under manufacturer warranty could potentially void your manufacturer warranty. Machined parts are built by Axis, not the original manufacturer.

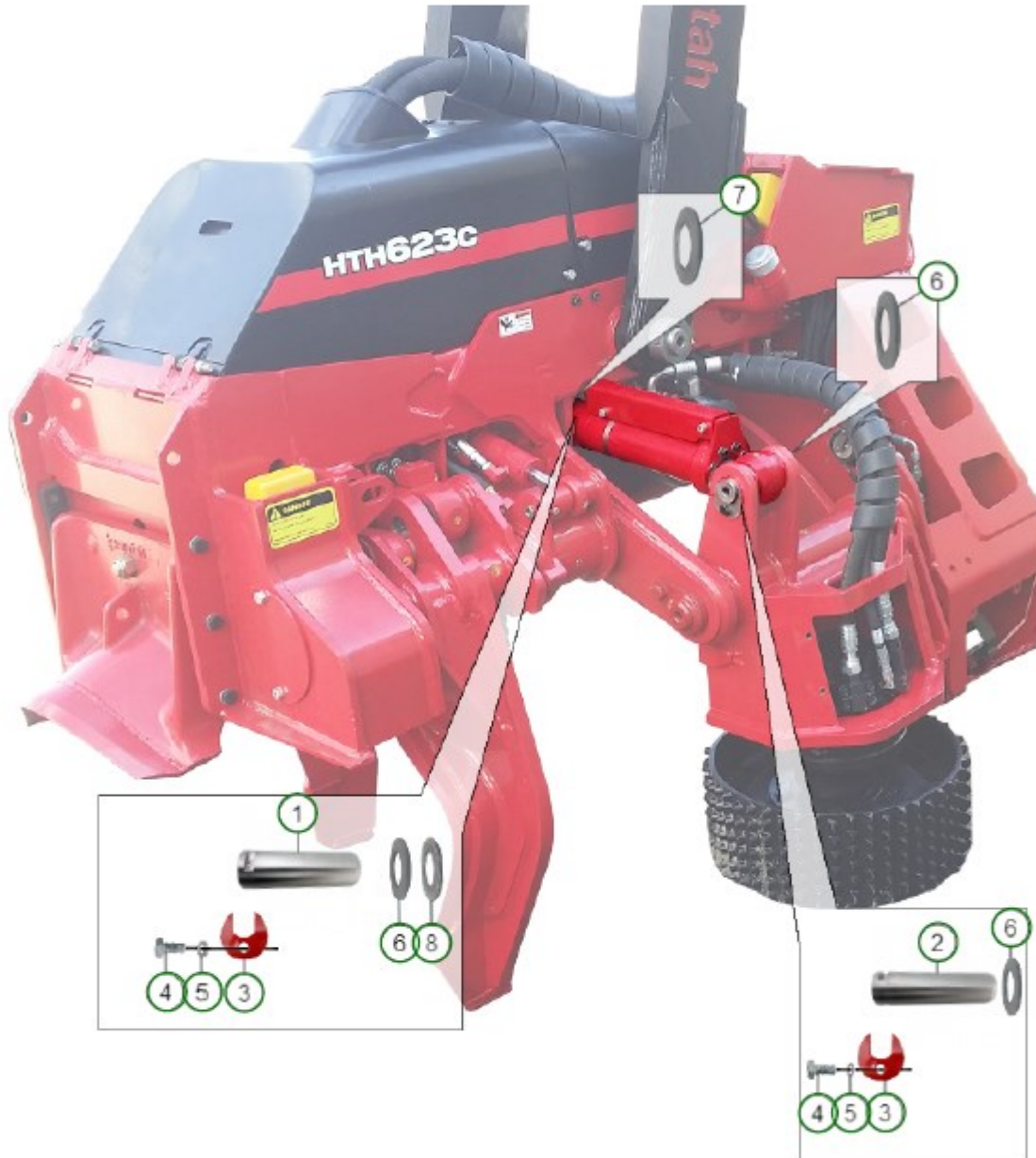
623C Feed Arms

No.	Axis Part No	Qty	Description	Notes
1	PN242115	2	PIN - FEED LINK	
2	PN282135	2	PIN - FEED CYL BARREL END	
3	PN282155	2	PIN - FEED ARM CYLINDER ROD END	
4	PN343743	2	PIN	
5	DL450041	1	DRIVE LINK	
6	MR363048	2	SPLIT LOCK NUT	
7	MR242501	2	RETAINER	
8	MR242576	4	PIN RETAINER	
9	MR242577	2	PIN RETAINER	
10	BW5570100	4	BUSHING	
11	BW5710010	4	NYLON SPACER	
12	BW643802C	4	STEEL WASHER	
13	BW754445	4	SPACER	
14	BW764540	2	STEEL SPACER	
15	BW764545	2	SPACER	
16	BW813850	2	BRONZE BUSHING	
17	GFB71225	6	BOLT - M12 X 25 HEX HEAD	
18	GFB80830	2	BOLT - M8 X 30MM SOCKET HEAD	
19	GFB72055	2	BOLT - M20 X 55MM HEX HEAD	
20	GFW1750	2	WASHER - 3/4" HARDENED	
21	GFW5312	2	ANTI-VIBRATION WASHER 5/16" (M8)	
22	GFW5500	6	ANTI-VIBRATION WASHER 1/2" (M12)	
23	GFZ6	4	M6 GREASE FITTING	

*All manufacturers names, numbers, marks, trademarks and symbols and descriptions are used for reference purposes only.
Use of parts not supplied from the original manufacturer on machines under manufacturer warranty could potentially void your
manufacturer warranty. Machined parts are built by Axis, not the original manufacturer.

623C Feed Cylinder Pins

HTH623C Feed Cylinder Pins



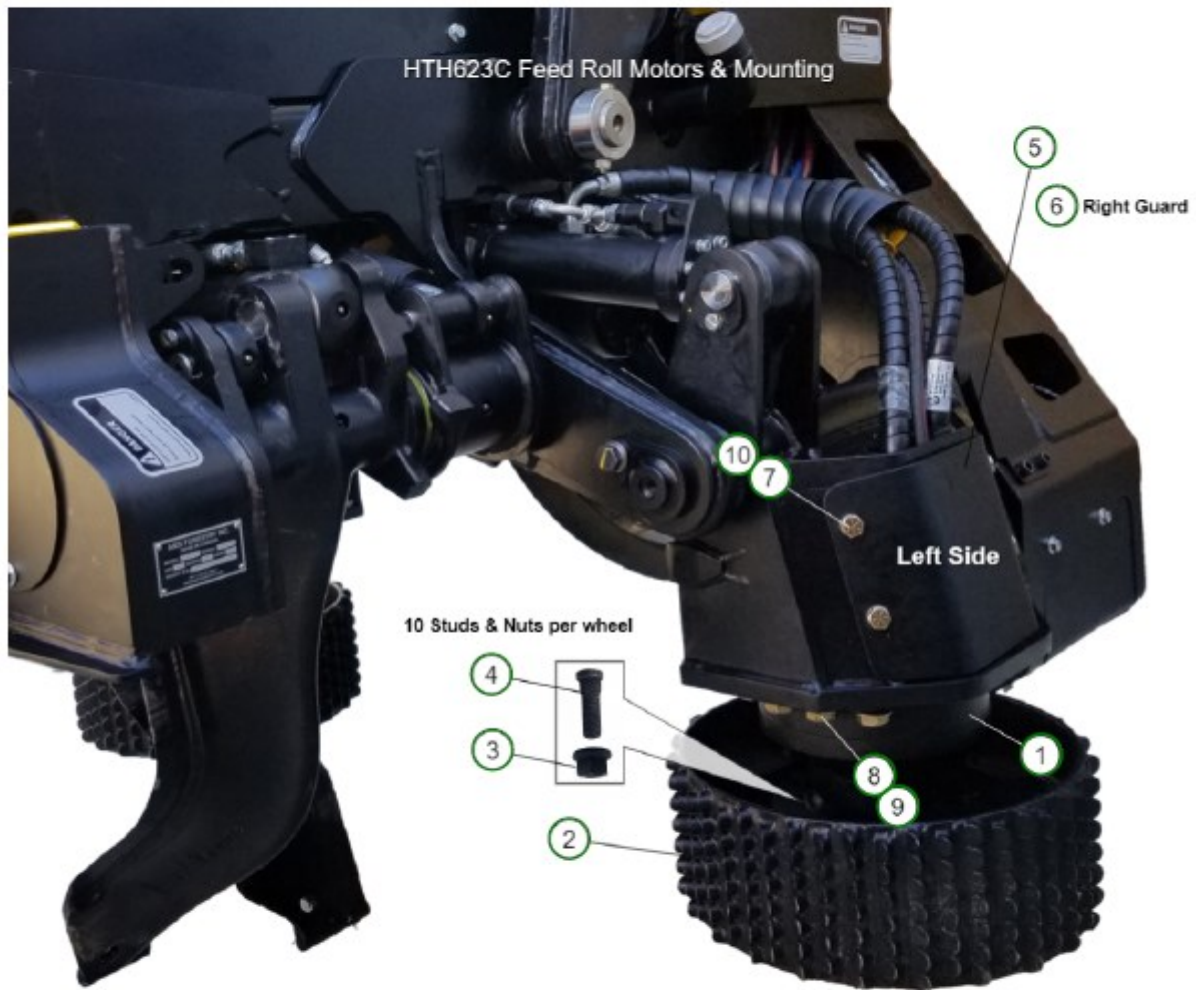
*All manufacturers names, numbers, marks, trademarks and symbols and descriptions are used for reference purposes only. Use of parts not supplied from the original manufacturer on machines under manufacturer warranty could potentially void your manufacturer warranty. Machined parts are built by Axis, not the original manufacturer.

623C Feed Cylinder Pins

No.	Axis Part No	Qty	Description	Notes
1	PN282135	1	PIN (USES MR242576 RETAINER)	
2	PN282155	1	PIN	
3	MR242576	2	PIN RETAINER	
4	GFB71225	2	BOLT - M12 X 25 HEX HEAD	
5	GFW5500	2	ANTI-VIBRATION LOCKWASHER 1/2" (M12)	
6	BW754445	3	SPACER	
7	BW764540	1	STEEL SPACER	
8	BW764545	1	SPACER	

*All manufacturers names, numbers, marks, trademarks and symbols and descriptions are used for reference purposes only. Use of parts not supplied from the original manufacturer on machines under manufacturer warranty could potentially void your manufacturer warranty. Machined parts are built by Axis, not the original manufacturer.

623C Feed Motors



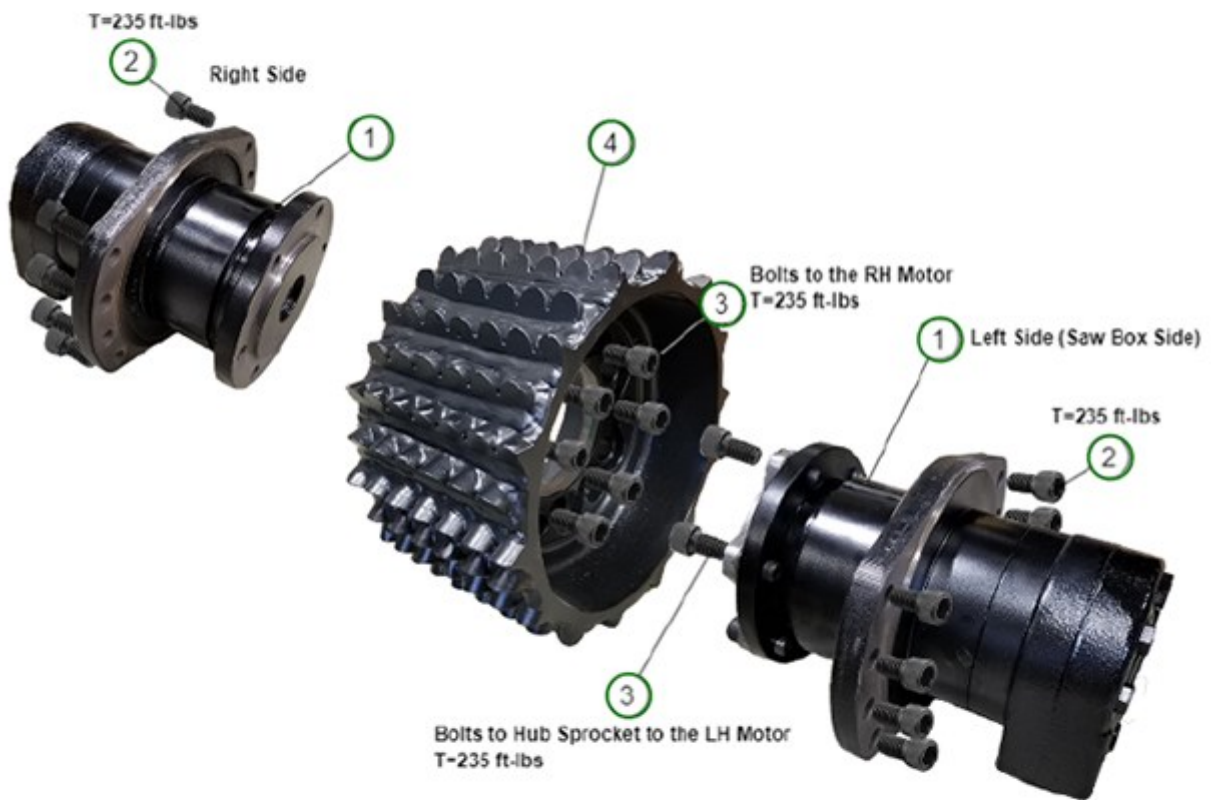
*All manufacturers names, numbers, marks, trademarks and symbols and descriptions are used for reference purposes only. Use of parts not supplied from the original manufacturer on machines under manufacturer warranty could potentially void your manufacturer warranty. Machined parts are built by Axis, not the original manufacturer.

623C Feed Motors

No.	Axis Part No	Qty	Description	Notes
1	MT515800	2	MOTOR	
2	DW750190	2	OUTER FEED WHEEL THUMBNAIL	
3	DW750121	20	WHEEL NUT	
4	DW750122	20	WHEEL STUD	
5	GC129170	1	COVER - LEFT FEED ARM	
6	GC129171	1	COVER - RIGHT FEED ARM	
7	GFB71230	8	BOLT - M12 X 30 HEX HEAD	
8	GFB2875200	16	BOLT - 7/8" X 2" UNF HEX HEAD	
9	GFW1875	16	WASHER - 7/8" HARDENED	
10	GFW5500	8	ANTI-VIBRATION LOCKWASHER 1/2" (M12)	

*All manufacturers names, numbers, marks, trademarks and symbols and descriptions are used for reference purposes only. Use of parts not supplied from the original manufacturer on machines under manufacturer warranty could potentially void your manufacturer warranty. Machined parts are built by Axis, not the original manufacturer.

623C Fixed Motors

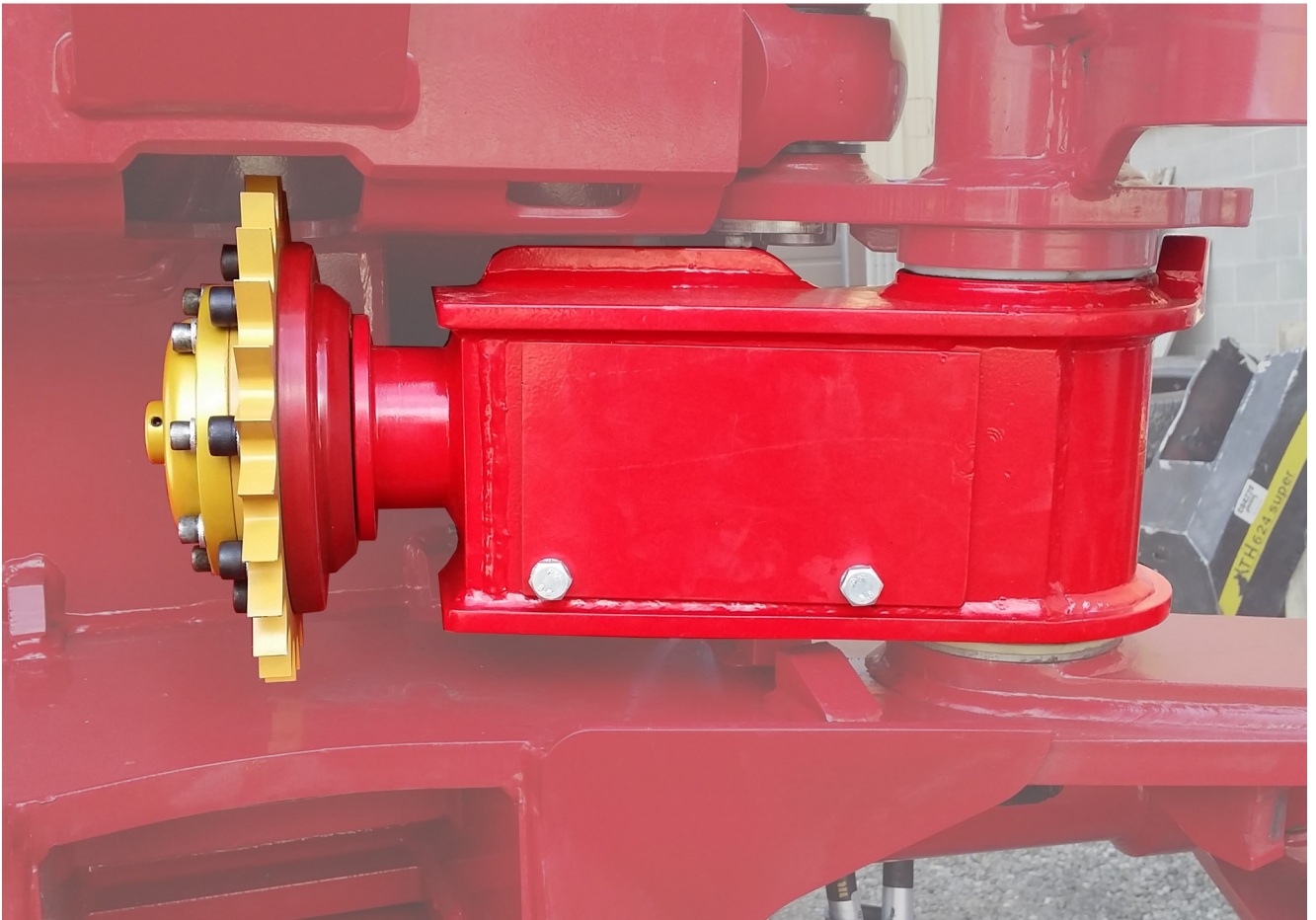


*All manufacturers names, numbers, marks, trademarks and symbols and descriptions are used for reference purposes only. Use of parts not supplied from the original manufacturer on machines under manufacturer warranty could potentially void your manufacturer warranty. Machined parts are built by Axis, not the original manufacturer.

623C Fixed Motors

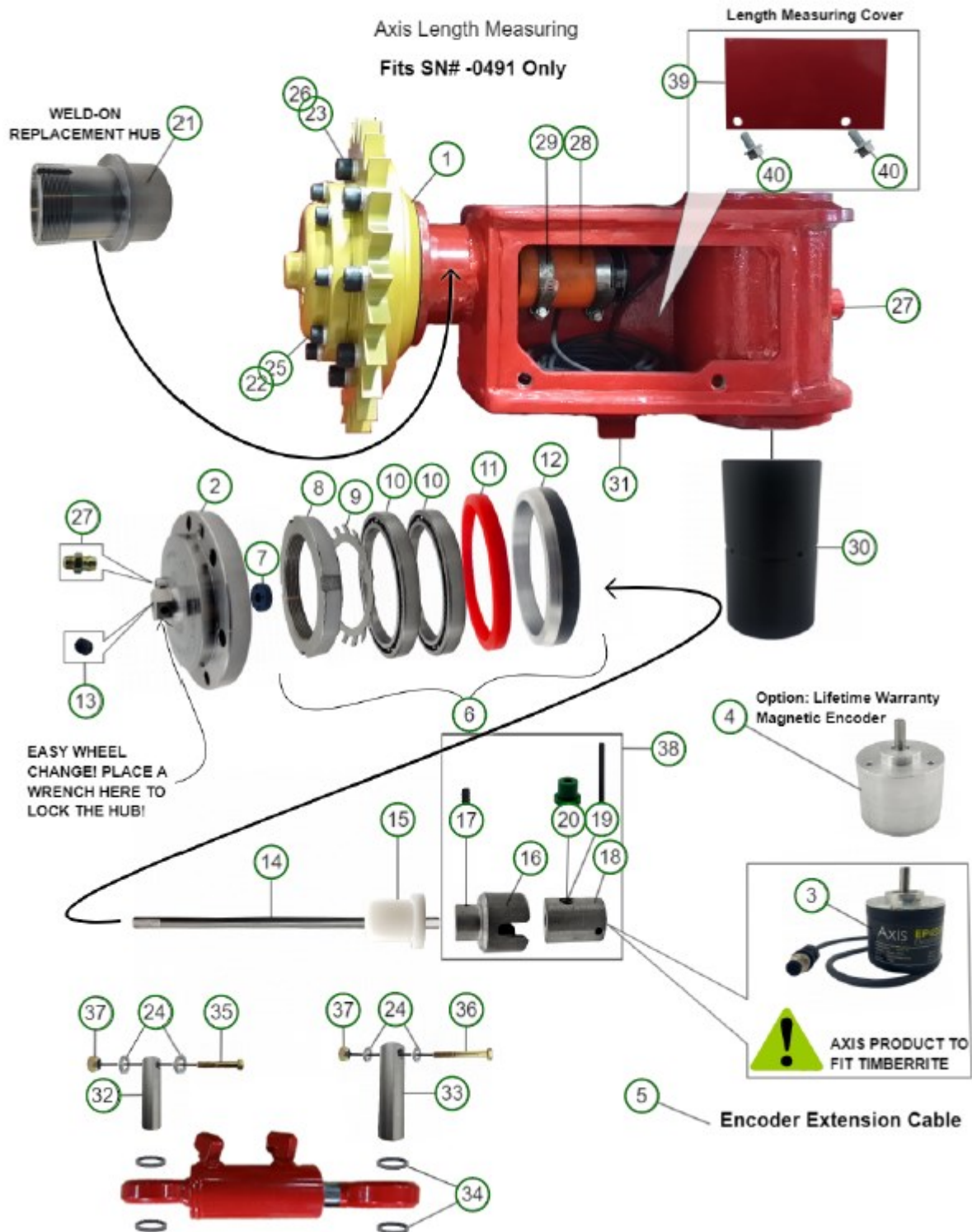
No.	Axis Part No	Qty	Description	Notes
1	MT525623	2	MOTOR	
2	GFB81655	16	BOLT - M16 X 55MM SOCKET HEAD	
3	GFB891640	12	BOLT - M16 X 40MM SOCKET HEAD FINE	
4	DW750176	1	CENTER FEED WHEEL	

*All manufacturers names, numbers, marks, trademarks and symbols and descriptions are used for reference purposes only. Use of parts not supplied from the original manufacturer on machines under manufacturer warranty could potentially void your manufacturer warranty. Machined parts are built by Axis, not the original manufacturer.



MEASURING

623C Length Measuring Assembly. Serial up to 491

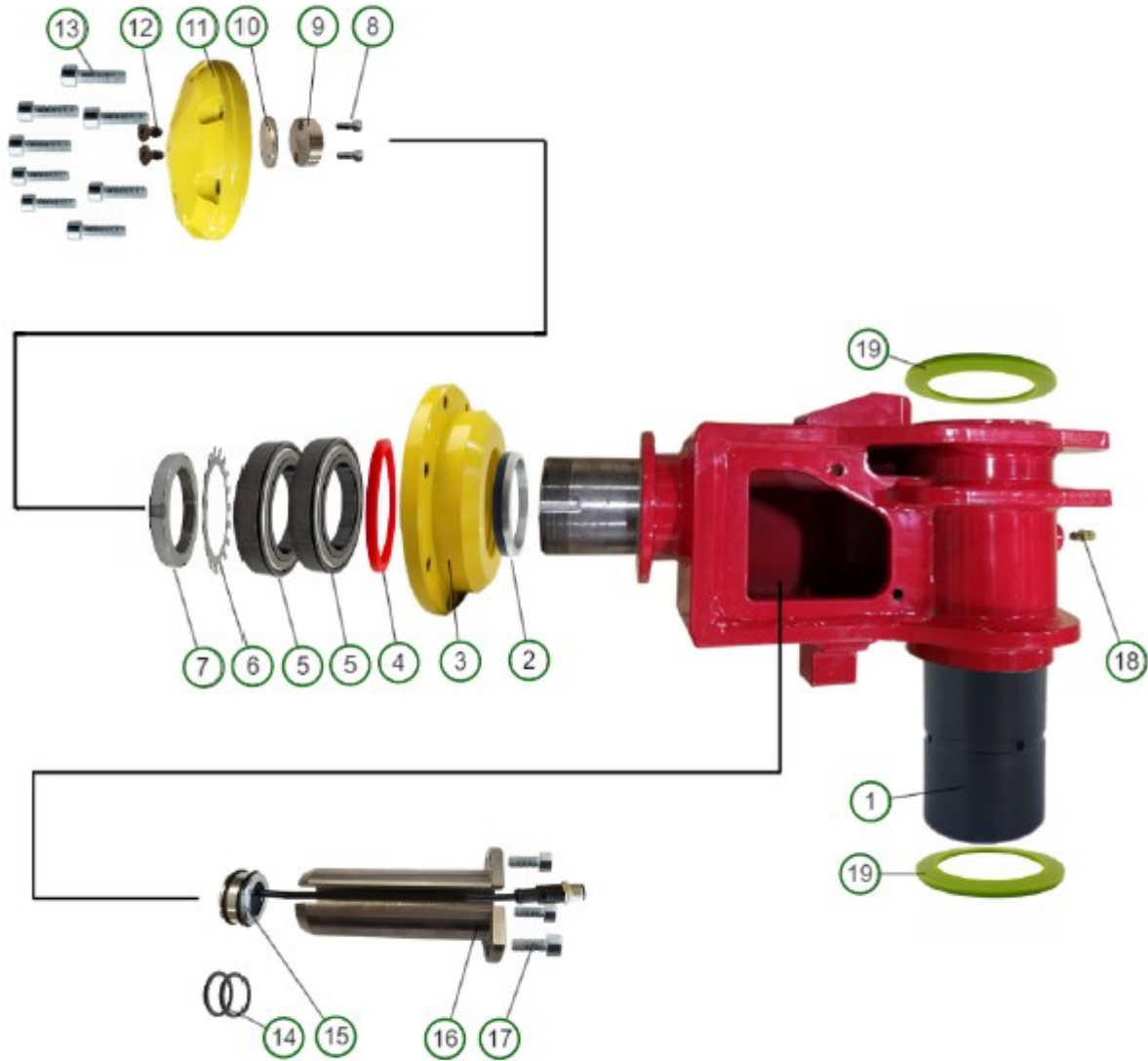


*All manufacturers names, numbers, marks, trademarks and symbols and descriptions are used for reference purposes only. Use of parts not supplied from the original manufacturer on machines under manufacturer warranty could potentially void your manufacturer warranty. Machined parts are built by Axis, not the original manufacturer.

623C Length Measuring Assembly. Serial up to 491

No.	Axis Part No	Qty	Description	Notes
1	MW600110	1	MEASURING WHEEL BEARING HUB	
2	MW600111	1	MEASURING BEARING END CAP	
3	EP455110	1	ENCODER - STANDARD WARATAH ISSUE	
4	EP455114	1	ENCODER - MAGNETIC HEAVY DUTY	*LIFETIME WARRANTY*
5	EP455145	1	EXTENSION CABLE M12	
6	MW600100	1	MEASURING ARM PARTS KIT	
7	MW622087	1	SEAL	
8	BR115754	1	LOCKNUT	
9	BR115753	1	LOCKWASHER	
10	BR115752	2	BEARING	
11	MW688105	1	SEAL	
12	MW688106	1	STEEL SPACER RING	
13	GFB9312312	1	SET SCREW - 5/16" X 5/16"	
14	MP160210	1	LENGTH ENCODER	
15	BW250825	1	LENGTH ENCODER SHAFT GUIDE BUSHING	
16	MP322435	1	COUPLER	
17	GFB92250500	1	SET SCREW - MEASURING WHEEL CAP	
18	MP190623	1	COUPLER	
19	GFS3112150	1	SPRING PIN	
20	MP670375	1	ENCODER BUSHING	
21	MW600107	1	MEASURING ARM WELD ON SPINDLE	
22	GFB3375125	1	BOLT - 3/8" X 1.25" SOCKET HEAD	
23	GFB3500125	1	BOLT - 1/2" X 1.25 SOCKET HEAD	
24	GFW5312	4	ANTI-VIBRATION LOCKWASHER 5/16" (M8)	
25	GFW5375	1	ANTI-VIBRATION LOCKWASHER 3/8" (M10)	
26	GFW5500	1	ANTI-VIBRATION LOCKWASHER 1/2" (M12)	
27	GFZ14P	2	GREASE FITTING 1/4-28	
28	MP485976	1	LENGTH ENCODER MOUNT BUSHING	
29	HS40	1	HOSE CLAMP 2-3"	
30	BW9582194	1	BUSHING	
31	MK980102	1	MEASURING ARM STOP	
32	PN160090	1	PIN	
33	PN160173	1	PIN	
34	BW312603	4	SPACER	
35	GFB70850	1	BOLT - M8 X 50MM HEX HEAD	
36	GFB70860	1	BOLT - M8 X 60MM HEX HEAD	
37	GFN608	2	NUT - M8 NYLOCK	
38	MP190100	1	ENCODER COUPLER KIT	
39	GC128155	1	LENGTH MEASURING COVER	
40	GFB1500100FL	2	BOLT - 1/2" X 1" UNC SERRATED FLANGE	

*All manufacturers names, numbers, marks, trademarks and symbols and descriptions are used for reference purposes only. Use of parts not supplied from the original manufacturer on machines under manufacturer warranty could potentially void your manufacturer warranty. Machined parts are built by Axis, not the original manufacturer.



*All manufacturers names, numbers, marks, trademarks and symbols and descriptions are used for reference purposes only. Use of parts not supplied from the original manufacturer on machines under manufacturer warranty could potentially void your manufacturer warranty. Machined parts are built by Axis, not the original manufacturer.

623C Length Measuring Assembly. Serial 492 and up

No.	Axis Part No	Qty	Description	Notes
1	BW11097187	1	BUSHING	
2	MW688106	1	STEEL SPACER RING- SEAL	
3	MW600129	1	HUB	
4	MW688105	1	SEAL	
5	BR115752	2	BEARING	
6	BR115753	1	LOCKWASHER	
7	BR115754	1	LOCKNUT	
8	GFB80410	2	BOLT - M4 X 10MM SOCKET HEAD	
9	EP455140	1	MAGNET ASSY	
10	MW600156	1	SPACER	
11	MW600155	1	END CAP	
12	GFB990510	1	SCREW - M5 X 10MM COUNTERSUNK HEX	
13	GFB81035	8	BOLT - M10 X 35MM SOCKET HEAD	
14	T369517C	1	O-RING - 90 DUROMETER	
15	EP455139	1	CONTACTLESS ENCODER	
16	MP470910	1	SPLIT RETAINER	
17	GFB80615	3	BOLT - 6MM X 16MM SOCKET HEAD	
18	GFZ6	1	M6 GREASE FITTING	
19	BW130975	2	SPACER	

*All manufacturers names, numbers, marks, trademarks and symbols and descriptions are used for reference purposes only. Use of parts not supplied from the original manufacturer on machines under manufacturer warranty could potentially void your manufacturer warranty. Machined parts are built by Axis, not the original manufacturer.

623C Length Measuring Pins



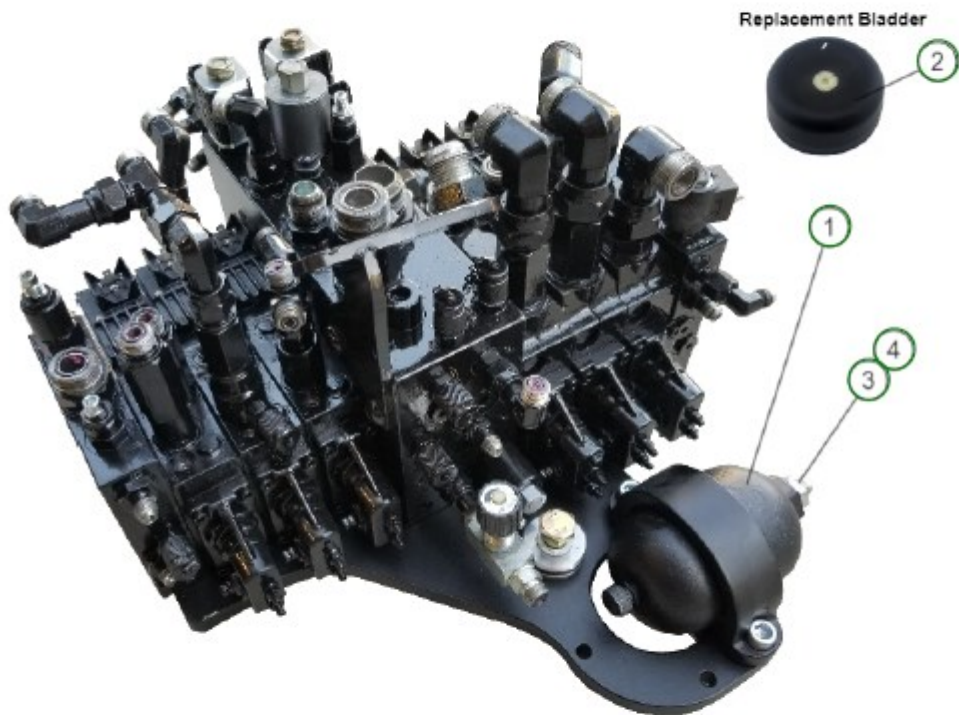
*All manufacturers names, numbers, marks, trademarks and symbols and descriptions are used for reference purposes only. Use of parts not supplied from the original manufacturer on machines under manufacturer warranty could potentially void your manufacturer warranty. Machined parts are built by Axis, not the original manufacturer.

623C Length Measuring Pins

No.	Axis Part No	Qty	Description	Notes
1	BW312603	4	SPACER	
2	GFB70860	1	BOLT - M8 X 60MM HEX HEAD	
3	PN160173	1	PIN	
4	PN160090	1	PIN	
5	GFB70850	1	BOLT - M8 X 50MM HEX HEAD	
6	GFW5312	2	ANTI-VIBRATION LOCKWASHER 5/16" (M8)	
7	GFN608	2	NUT - M8 NYLOCK	
8	SBB16-2RS/Z	2	SPHERICAL BUSHING	
9	GFS561	2	SNAP RING	

*All manufacturers names, numbers, marks, trademarks and symbols and descriptions are used for reference purposes only. Use of parts not supplied from the original manufacturer on machines under manufacturer warranty could potentially void your manufacturer warranty. Machined parts are built by Axis, not the original manufacturer.

623C Length Measuring Accumulator



*All manufacturers names, numbers, marks, trademarks and symbols and descriptions are used for reference purposes only. Use of parts not supplied from the original manufacturer on machines under manufacturer warranty could potentially void your manufacturer warranty. Machined parts are built by Axis, not the original manufacturer.

623C Length Measuring Accumulator

No.	Axis Part No	Qty	Description	Notes
1	MW103523	1	ACCUMULATOR	
2	MW103526	1	BLADDER - EXTREME WEATHER	
3	HF2091-6-18	1	FITTING - #6 JIC MALE X M18 -1.5 MALE	
4	BSP18M	1	BONDED SEAL M18	

*All manufacturers names, numbers, marks, trademarks and symbols and descriptions are used for reference purposes only. Use of parts not supplied from the original manufacturer on machines under manufacturer warranty could potentially void your manufacturer warranty. Machined parts are built by Axis, not the original manufacturer.

623C Length Measuring Wheels



*All manufacturers names, numbers, marks, trademarks and symbols and descriptions are used for reference purposes only. Use of parts not supplied from the original manufacturer on machines under manufacturer warranty could potentially void your manufacturer warranty. Machined parts are built by Axis, not the original manufacturer.

623C Length Measuring Wheels

No.	Axis Part No	Qty	Description	Notes
1	MW600113	1	MEASURING WHEEL - 25 TOOTH	
2	MW600114	1	MEASURING WHEEL - 48 TOOTH	
3	MW600115	1	MEASURING WHEEL - SERRATED	
4	MW600117	1	MEASURING WHEEL - 65 TOOTH	
5	MW600120	1	MEASURING WHEEL - 25 TOOTH	
6	MW600313	1	MEASURING WHEEL - MULTI STEM	
7	GFB81235	8	BOLT - M12 X 35MM SOCKET HEAD	
8	GFB81255	8	BOLT - M12 X 55M SOCKET HEAD	

*All manufacturers names, numbers, marks, trademarks and symbols and descriptions are used for reference purposes only.
Use of parts not supplied from the original manufacturer on machines under manufacturer warranty could potentially void your
manufacturer warranty. Machined parts are built by Axis, not the original manufacturer.

623C Find End



*All manufacturers names, numbers, marks, trademarks and symbols and descriptions are used for reference purposes only. Use of parts not supplied from the original manufacturer on machines under manufacturer warranty could potentially void your manufacturer warranty. Machined parts are built by Axis, not the original manufacturer.

623C Find End

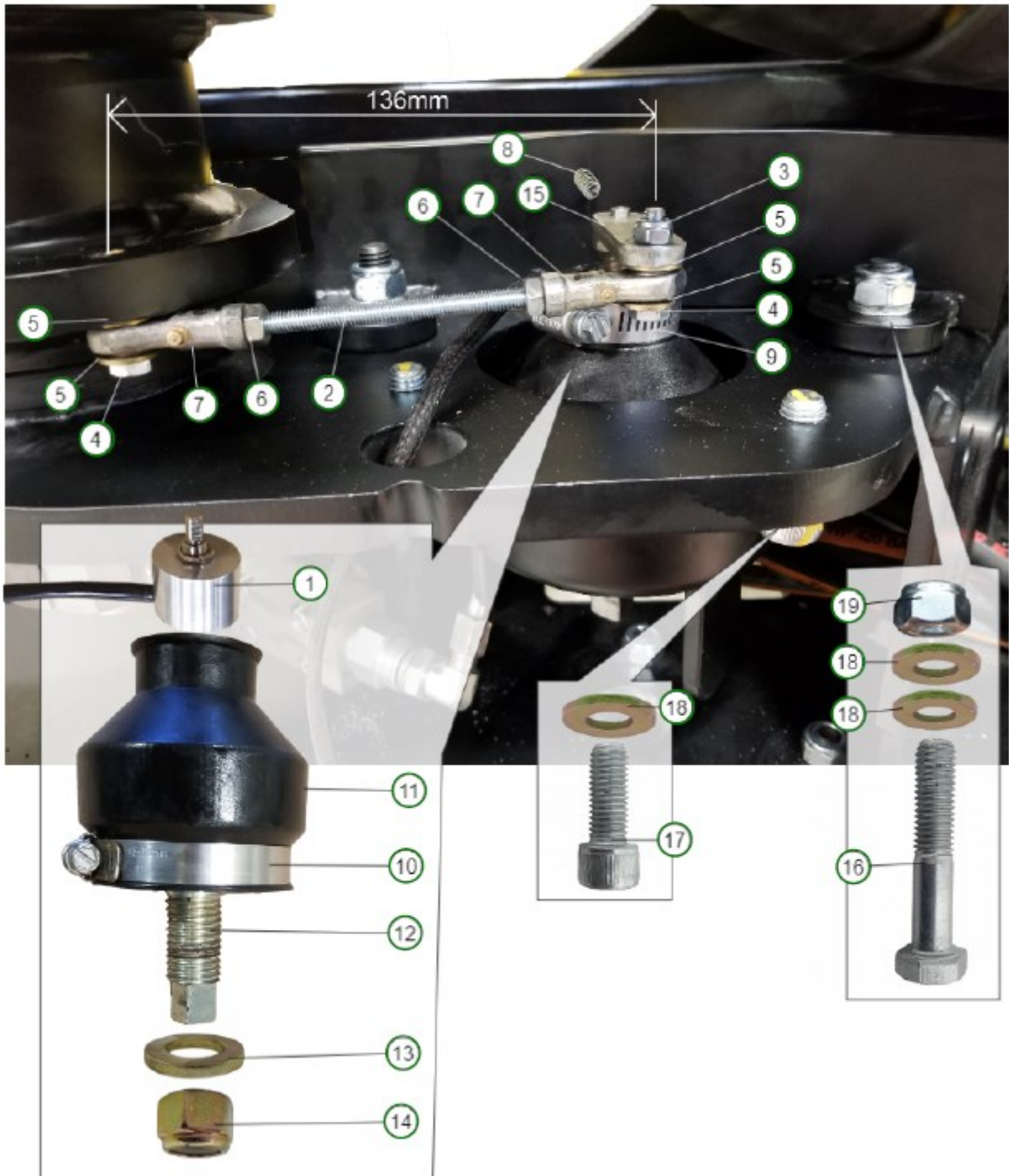
No.	Axis Part No	Qty	Description	Notes
1	GC455207	1	ALUMINUM ENCLOSURE	
2	GFB80325	2	BOLT - M3 X 25MM SOCKET HEAD	
3	GFB90612	6	BOLT - M6 X 12 BUTTONHEAD	
4	MP190208	1	COVER - LASER PHOTO EYE	
5	MP190209	1	GASKET	
6	EP455115	1	LASER PHOTO EYE	
7	EP455116	1	2M CABLE FOR EP455115	
8	MP190211	1	GROMMET	
9	GFB71240	4	BOLT - M12 X 40MM HEX HEAD	
10	GFW5500	4	ANTI-VIBRATION LOCKWASHER 1/2" (M12)	

*All manufacturers names, numbers, marks, trademarks and symbols and descriptions are used for reference purposes only.
Use of parts not supplied from the original manufacturer on machines under manufacturer warranty could potentially void your
manufacturer warranty. Machined parts are built by Axis, not the original manufacturer.

623C Diameter Measuring

HTH623C Diameter Measuring

Axis Product Made to Fit TimberRite

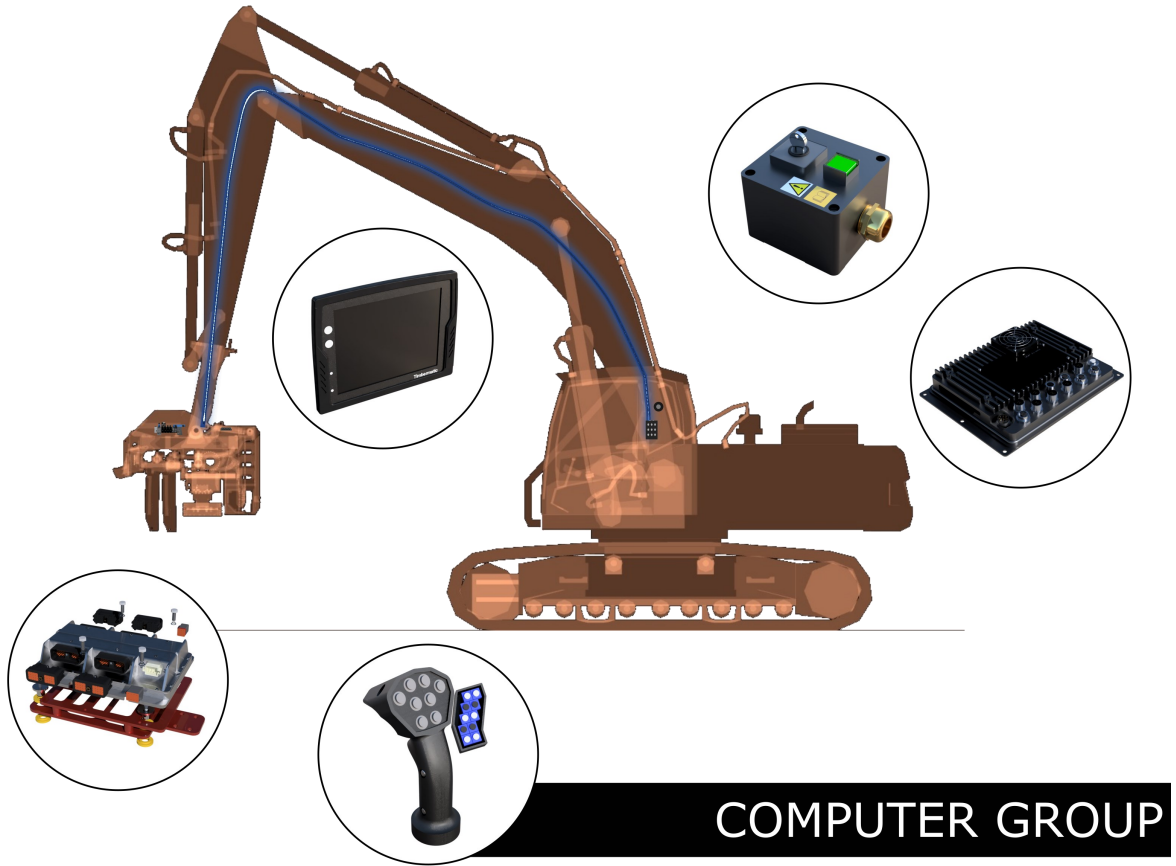


*All manufacturers names, numbers, marks, trademarks and symbols and descriptions are used for reference purposes only. Use of parts not supplied from the original manufacturer on machines under manufacturer warranty could potentially void your manufacturer warranty. Machined parts are built by Axis, not the original manufacturer.

623C Diameter Measuring

No.	Axis Part No	Qty	Description	Notes
1	EP455109	1	POTENTIOMETER	
2	MP160095	1	ROD	
3	GFN606	1	NUT - M6 NYLOCK	
4	GFB70625	2	BOLT - M6 X 25MM HEX HEAD	
5	GFW1250	4	WASHER - 1.2" HARDENED	
6	GFN206	2	NUT - M6	
7	BR116006	2	ROD END	
8	GFB92608	1	SET SCREW - M6 X 8	
9	HS16	1	HOSE CLAMP - 11/16" - 1.5"	
10	HS40	1	HOSE CLAMP - 2-3"	
11	MP793277	1	DIAMETER POTENTIOMETER MOUNT BUSHING	
12	MP160061	1	SUPPORT	
13	GFW1750	1	WASHER - 3/4" HARDENED	
14	GFN620	1	NUT - M20 NYLOCK	
15	MP160060	1	LINK	
16	GFB71260	2	BOLT - M12 X 60MM HEX HEAD	
17	GFB81230	2	BOLT - M12 X 30MM SOCKET HEAD	
18	GFW1500	6	WASHER - 1/2" HARDENED	
19	GFN612	2	NUT - M12 NYLOCK	

*All manufacturers names, numbers, marks, trademarks and symbols and descriptions are used for reference purposes only. Use of parts not supplied from the original manufacturer on machines under manufacturer warranty could potentially void your manufacturer warranty. Machined parts are built by Axis, not the original manufacturer.

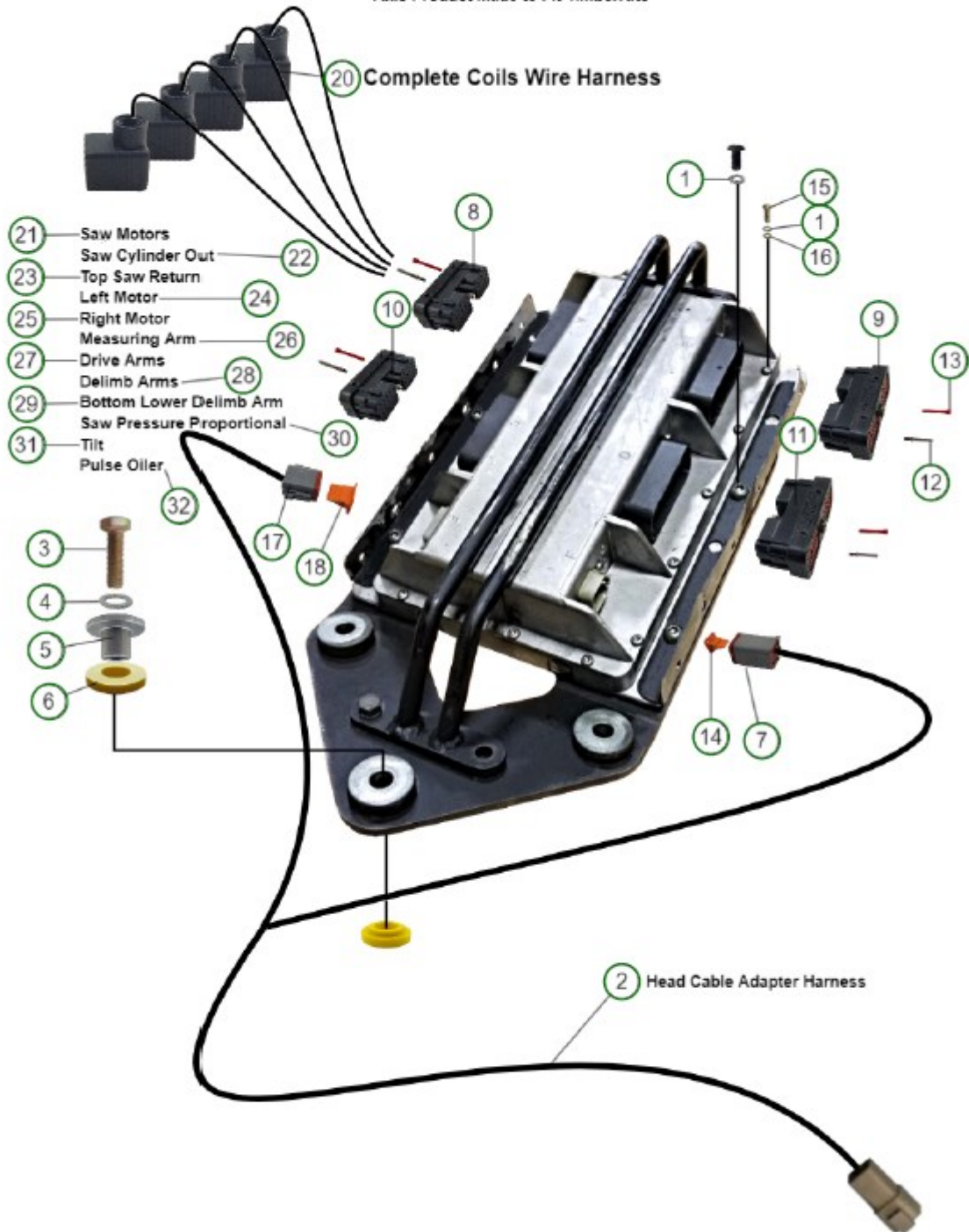


COMPUTER GROUP

623C Head Module

HTH623C TimberRite Head Module

Axis Product Made to Fit TimberRite



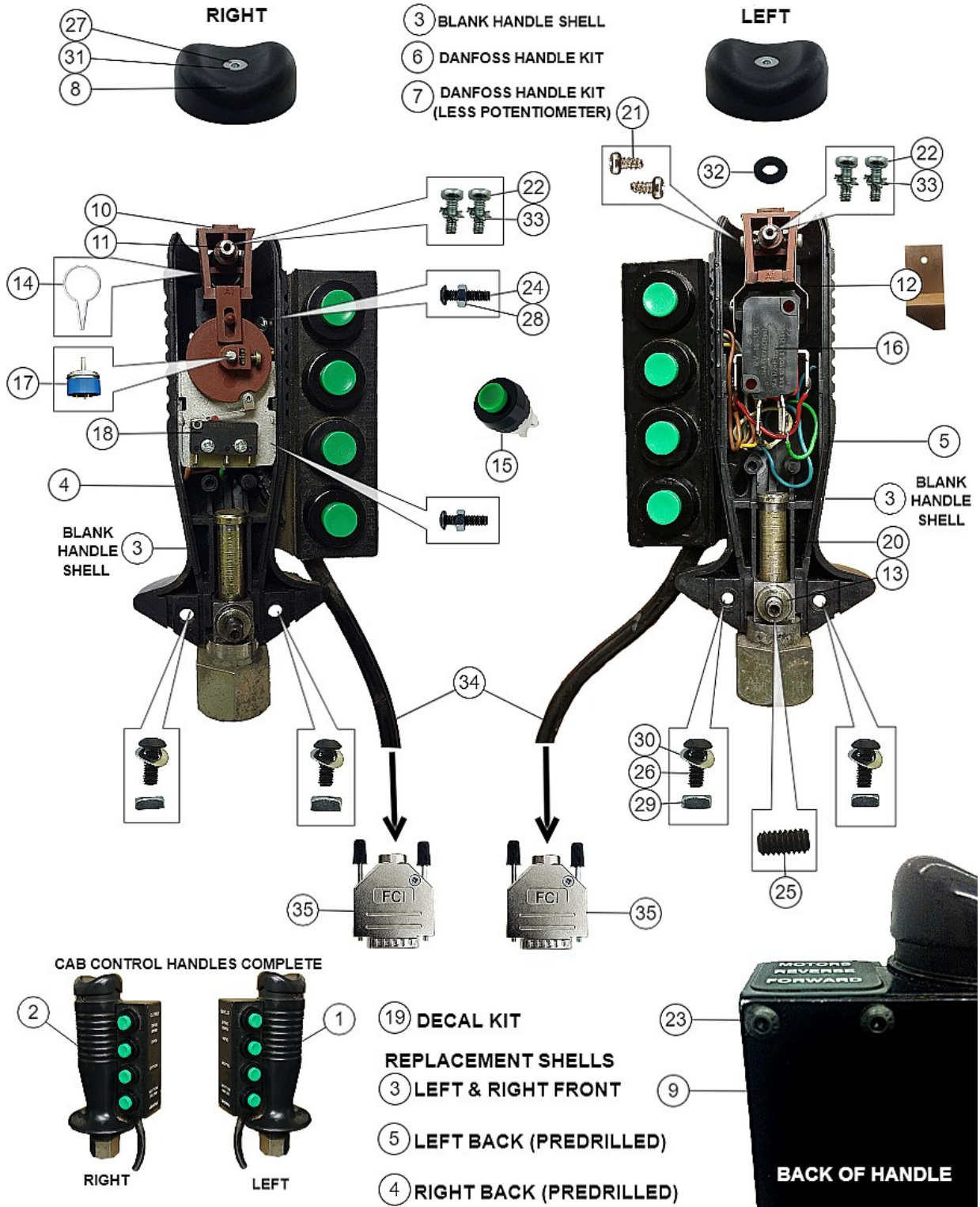
*All manufacturers names, numbers, marks, trademarks and symbols and descriptions are used for reference purposes only. Use of parts not supplied from the original manufacturer on machines under manufacturer warranty could potentially void your manufacturer warranty. Machined parts are built by Axis, not the original manufacturer.

623C Head Module

No.	Axis Part No	Qty	Description	Notes
1	GFW5312	4	ANTI-VIBRATION LOCKWASHER - 5/16" (M8)	
2	EP910504	1	WIRING HARNESS ADAPTER TO BOOM CABLE	
3	GFB71240	3	BOLT - M12 X 40MM HEX HED	
4	GFW5500	3	ANTI-VIBRATION LOCKWASHER - 1/2" (M12)	
5	MR561709	3	STEEL SPACER BUSHING	
6	MR561708	6	BUSHING	
7	EP910146	1	DEUTSCH 6 PIN RECEPTACLE KIT	
8	EP910326A	1	DEUTSCH PLUG "A: KEY	
9	EP910326B	1	DEUTSCH PLUG "B" KEY	
10	EP910326C	1	DEUTSCH PLUG "C" KEY	
11	EP910326D	1	DEUTSCH PLUG "D" KEY	
12	EP910319	1	PIN	
13	EP910320	1	DEUTSCH #20 PLUG	
14	EP920601	1	WEDGE LOCK FOR 6 WIRE PLUG	
15	GFB70820	4	BOLT - M8 X 20MM HEX HEAD	
16	GFW1312	8	WASHER - 5/16" HARDENED	
17	EP910178	1	DEUTSCH CONNECTOR FOR 8 WIRE PLUG	
18	EP920801	1	WEDGE LOCK FOR 8 WIRE PLUG	
19	EP455100	1	REPLACEMENT COIL PLUG (HIRSCMANN)	
20	EP760623CA	1	WIRING HARNESS	
21	EP760623-A	1	WIRING HARNESS	
22	EP760623-B	1	SAW CYLINDER OUT WIRE	
23	EP760623-C	1	TOP SAW RETURN WIRE	
24	EP760623-D	1	LEFT MOTOR WIRE	
25	EP760623-E	1	RIGHT MOTOR WIRE	
26	EP760623-F	1	MEASURING ARM WIRE	
27	EP760623-G	1	DRIVE ARM WIRE	
28	EP760623-H	1	DELIMB ARM WIRE	
29	EP760623-J	1	BOTTOM DELIMB ARM WIRE	
30	EP760623-K	1	SAW PRESSURE PROPORTIONAL WIRE	
31	EP760623-L	1	HARVESTER TILT WIRE	
32	EP760623-M	1	PULSE OILER WIRE	

*All manufacturers names, numbers, marks, trademarks and symbols and descriptions are used for reference purposes only.
Use of parts not supplied from the original manufacturer on machines under manufacturer warranty could potentially void your
manufacturer warranty. Machined parts are built by Axis, not the original manufacturer.

Danfoss Control Handles



*All manufacturers names, numbers, marks, trademarks and symbols and descriptions are used for reference purposes only. Use of parts not supplied from the original manufacturer on machines under manufacturer warranty could potentially void your manufacturer warranty. Machined parts are built by Axis, not the original manufacturer.

Danfoss Control Handles

No.	Axis Part No	Qty	Description	Notes
1	HP480301	1	DANFOSS HANDLE LEFT	INCLUDES WIRING AND CONNECTOR
2	HP480401	1	DANFOSS HANDLE RIGHT	INCLUDES WIRING AND CONNECTOR
3	HP480207	2	HANDLE PART - SHELL	
4	HP480207R	1	HANDLE SHELL - PREDRILLED FOR RIGHT SIDE	
5	HP480207L	1	HANDLE SHELL - PREDRILLED FOR LEFT SIDE	
6	HP480100	1	HANDLE KIT	
7	HP480101	1	HANDLE KIT	
8	HP480206	1	TOP ROCKER	
9	HP480239	2	BACK PLATE	
10	HP480305	1	ACTIVATION BLOCK	
11	HP480504	1	SHAFT	
12	HP480204	2	SPRING	
13	HP480801	1	RETAINER	
14	HP480407	1	SPRING	
15	HP780839	4	GREEN PUSH BUTTON	
16	HP780840	2	SWITCH ON/OFF	
17	HP780841	1	POTENTIOMETER	
18	HP780842	1	SWITCH	
19	HP370201	1	HANDLE DECAL KIT	
20	HP480237	1	HANDLE STEM BASE 1/2" UNF	
21	GFB90204	2	SCREW - FITS ACTUATOR BLOCK	
22	GFB90206	2	SCREW	
23	GFB90306	4	SCREW - BUTTONHEAD	
24	GFB90312	2	SCREW - BUTTONHEAD	
25	GFB910510	2	SCREW - SOCKET SET SCREW	
26	GFB90410	2	SCREW - BUTTONHEAD	
27	GFB990408	1	SCREW - FLATHEAD	
28	GFN303	2	NUT	
29	GFN7904	2	NUT - SQUARE	
30	GFW9004	2	WAVE WASHER	
31	GFW9104	1	LOCKWASHER - CONICAL SERRATED	
32	GFW9204	1	SEAL	
33	GFW802	2	LOCKWASHER - EXTERNAL TOOTH	
34	EP455127	1	CABLE FOR DANFOSS HANDLES - FITS LH & RH	
35	EP750111	2	CONNECTOR 15 PIN - MALE	

*All manufacturers names, numbers, marks, trademarks and symbols and descriptions are used for reference purposes only. Use of parts not supplied from the original manufacturer on machines under manufacturer warranty could potentially void your manufacturer warranty. Machined parts are built by Axis, not the original manufacturer.

Axis Control Handles Danfoss Type

Axis Handles Made to Fit TimberRite



*All manufacturers names, numbers, marks, trademarks and symbols and descriptions are used for reference purposes only. Use of parts not supplied from the original manufacturer on machines under manufacturer warranty could potentially void your manufacturer warranty. Machined parts are built by Axis, not the original manufacturer.

Axis Control Handles Danfoss Type

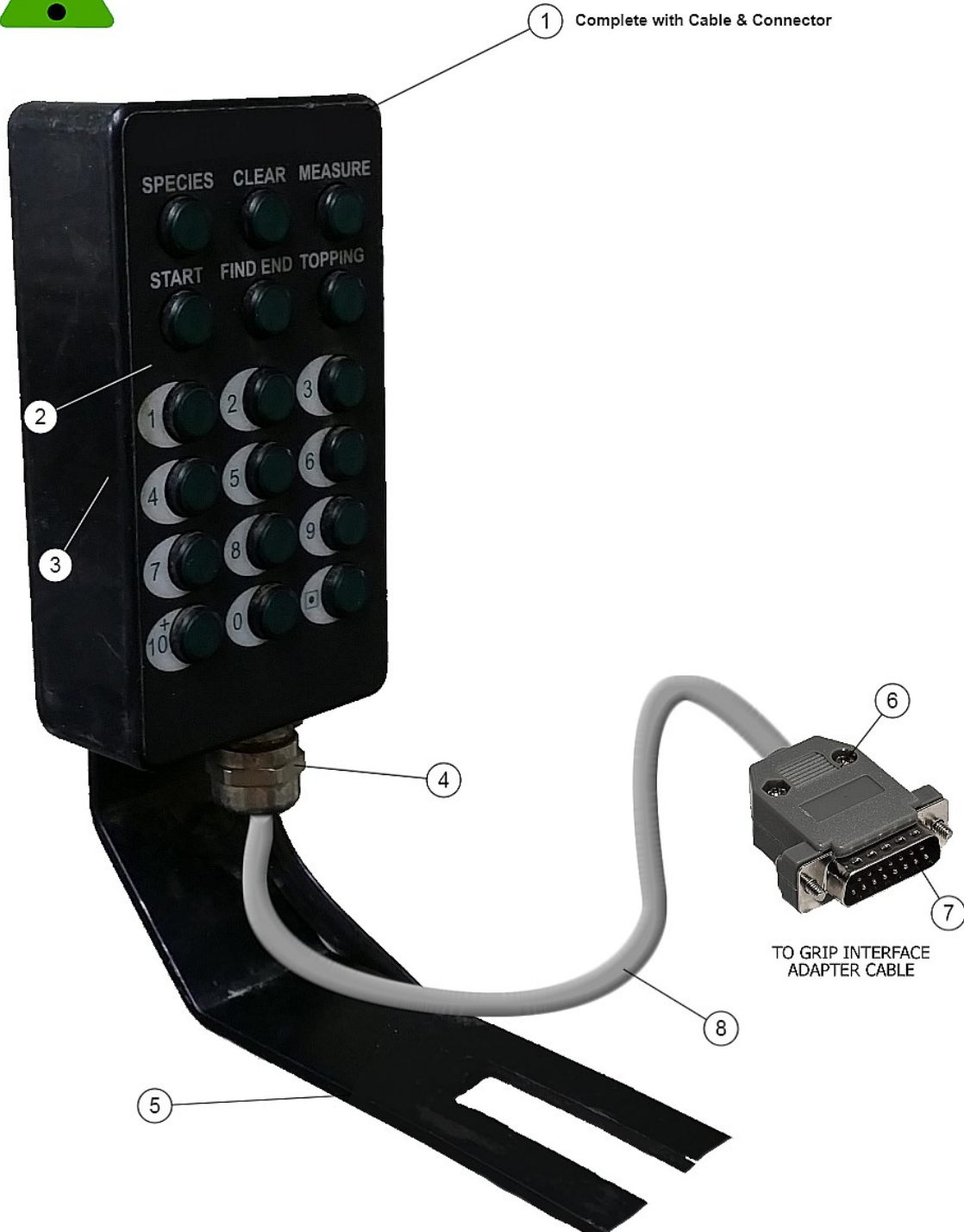
No.	Axis Part No	Qty	Description	Notes
1	HP370101	1	AXIS HANDLE LEFT	INCLUDES WIRING AND CONNECTOR
2	HP370102	1	AXIS HANDLE RIGHT	INCLUDES WIRING AND CONNECTOR
3	HP4659314	1	SWITCH - PUSH BUTTON	
4	HP480240	1	BRACKET - HAND REST	
5	HP480241	1	PADDED COVER	
6	HP4659308	4	TOP ROCKER	
7	HP4659300	1	HANDLE SHELL	
8	HP615046	2	MOUNT ADAPTER 1/2-20	
9	HP615047	2	MOUNT ADAPTER M14	
10	LP480102	1	DECAL KIT	

*All manufacturers names, numbers, marks, trademarks and symbols and descriptions are used for reference purposes only. Use of parts not supplied from the original manufacturer on machines under manufacturer warranty could potentially void your manufacturer warranty. Machined parts are built by Axis, not the original manufacturer.

Danfoss Species/Preselect Keypad



Axis Product Made to Fit TimberRite only



*All manufacturers names, numbers, marks, trademarks and symbols and descriptions are used for reference purposes only. Use of parts not supplied from the original manufacturer on machines under manufacturer warranty could potentially void your manufacturer warranty. Machined parts are built by Axis, not the original manufacturer.

Danfoss Species/Preselect Keypad

No.	Axis Part No	Qty	Description	Notes
1	EP808	1	KEYPAD ASSEMBLY COMPLETE	INCLUDES WIRING AND CONNECTOR REQUIRES 12 FEET/3.65 Meters
2	EP802-1	1	OVERLAY DECAL	
3	EP802	1	REPLACEMENT BOX PREDRILLED	
4	EP698710	1	CABLE GLAND	
5	EP801201	1	BRACKET	
6	EP750231	1	BACKSHELL COVER	
7	EP750111	1	CONNECTOR	
8	EP456125	2	CABLE	

*All manufacturers names, numbers, marks, trademarks and symbols and descriptions are used for reference purposes only. Use of parts not supplied from the original manufacturer on machines under manufacturer warranty could potentially void your manufacturer warranty. Machined parts are built by Axis, not the original manufacturer.

Sure Grip Control Handles



Sure Grip Control Handles

Axis Product to Fit TimberRite Only

11 HANDLE SPARE PARTS KIT

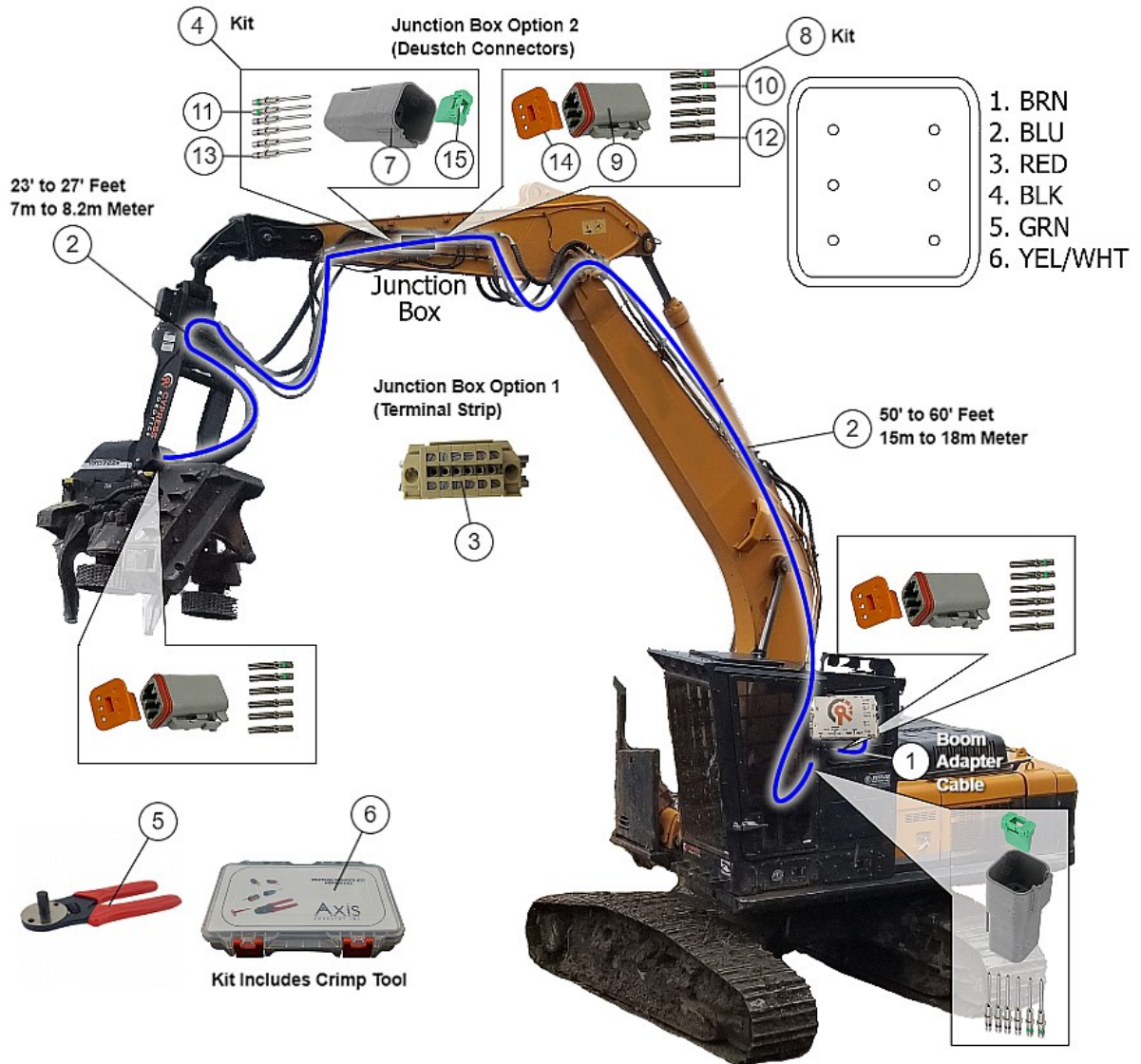


*All manufacturers names, numbers, marks, trademarks and symbols and descriptions are used for reference purposes only. Use of parts not supplied from the original manufacturer on machines under manufacturer warranty could potentially void your manufacturer warranty. Machined parts are built by Axis, not the original manufacturer.

Sure Grip Control Handles

No.	Axis Part No	Qty	Description	Notes
1	HP618020	1	LEFT HANDLE COMPLETE	INCLUDES WIRING AND CONNECTOR
2	HP618021	1	RIGHT HANDLE COMPLETE	INCLUDES WIRING AND CONNECTOR
3	HP780843	1	SWITCH	
4	HP615024	1	REPLACEMENT DUAL TRIGGER	
5	HP615025	1	KIT - LEAF SPRING	
6	HP615026	1	SCREW	
7	HP615043	1	OVERLAY 8 BUTTON	
8	HP615032	1	BACKING PLATE	
9	HP615027	1	HANDLE SHELL - LEFT	
10	HP615028	1	HANDLE SHELL - RIGHT	
11	HP615041	1	HANDLE SPARE PARTS KIT	
12	HP615046	2	MOUNT ADAPTER 1/2-20	
13	HP615047	2	MOUNT ADAPTER M14	

*All manufacturers names, numbers, marks, trademarks and symbols and descriptions are used for reference purposes only. Use of parts not supplied from the original manufacturer on machines under manufacturer warranty could potentially void your manufacturer warranty. Machined parts are built by Axis, not the original manufacturer.

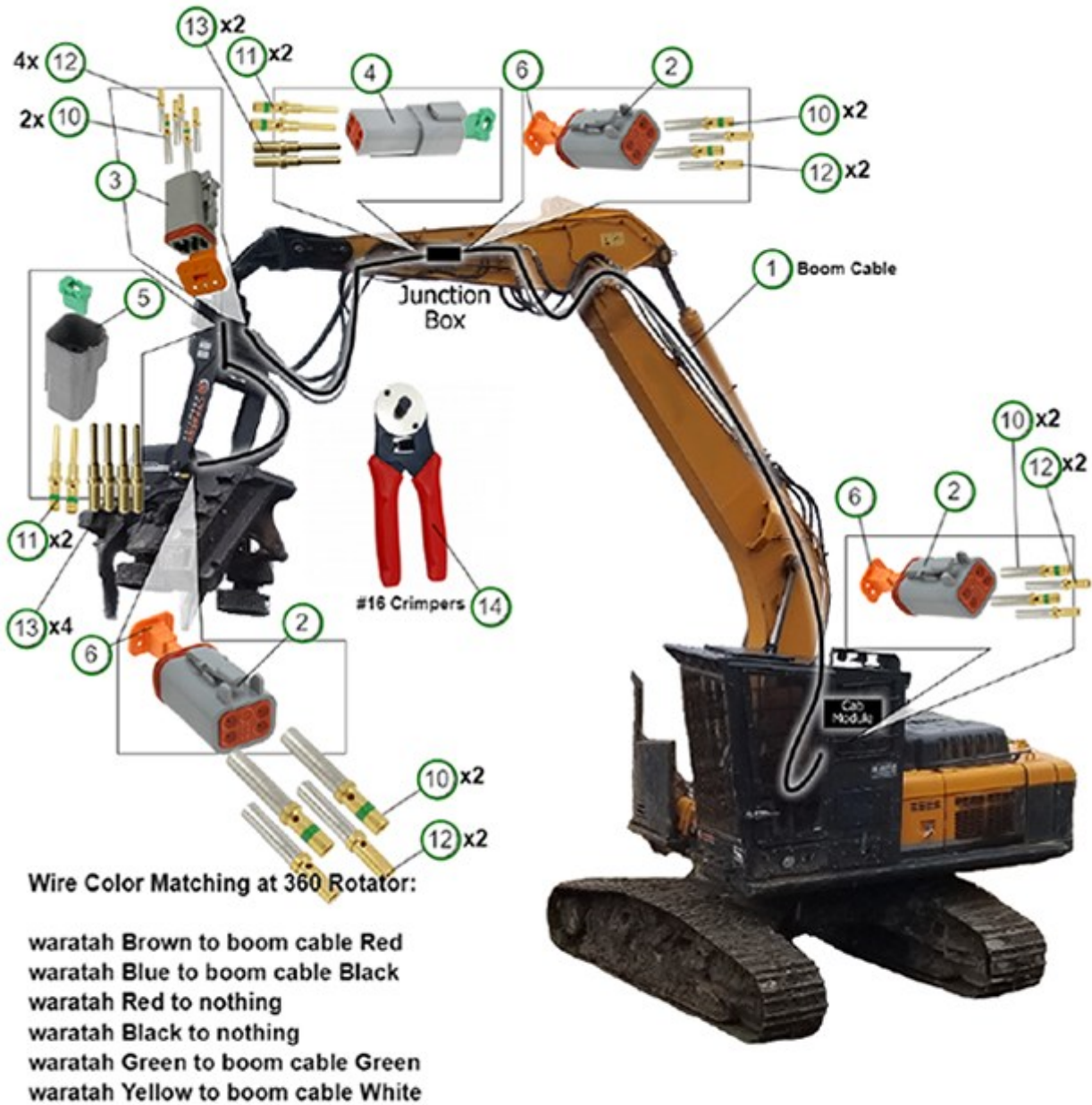


*All manufacturers names, numbers, marks, trademarks and symbols and descriptions are used for reference purposes only. Use of parts not supplied from the original manufacturer on machines under manufacturer warranty could potentially void your manufacturer warranty. Machined parts are built by Axis, not the original manufacturer.

270° Rotation Heads - Boom Wiring, Axis Product Made to Fit TimberR

No.	Axis Part No	Qty	Description	Notes
1	CR100301	1	CABLE - BOOM ADAPTER	
2	EP456111	82	WIRE - 6 STRAND BOOM CABLE	SOLD PER FOOT
3	EP684013	1	JUNCTION BOX	
4	EP910146	3	DEUTSCH RECEPTACLE 6 PIN WITH WEDGE LOCK	
5	EP910150	1	DEUTSCH CRIMP TOOL 16 GAUGE	
6	EP910152	1	DEUTSCH SERVICE KIT	
7	EP910156	3	DEUTSCH CONNECTOR 6 PIN WITH WEDGE LOCK	
8	EP910166	4	DEUTSCH PLUG 6 WIRE WITH WEDGE LOCK	
9	EP910176	4	DEUTSCH PLUG 6 WIRE	
10	EP910308	2	DEUTSCH SOCKET TERMINAL #14	
11	EP910309	2	DEUTSCH PIN TERMINAL #14	
12	EP910310	4	DEUTSCH SOCKET TERMINAL #16	
13	EP910311	4	DEUTSCH PIN TERMINAL #16	
14	EP920601	4	WEDGE LOCK FOR 6 WIRE PLUG	
15	EP920602	3	WEDGE LOCK FOR 6 WIRE RECEPTACLE	

*All manufacturers names, numbers, marks, trademarks and symbols and descriptions are used for reference purposes only. Use of parts not supplied from the original manufacturer on machines under manufacturer warranty could potentially void your manufacturer warranty. Machined parts are built by Axis, not the original manufacturer.

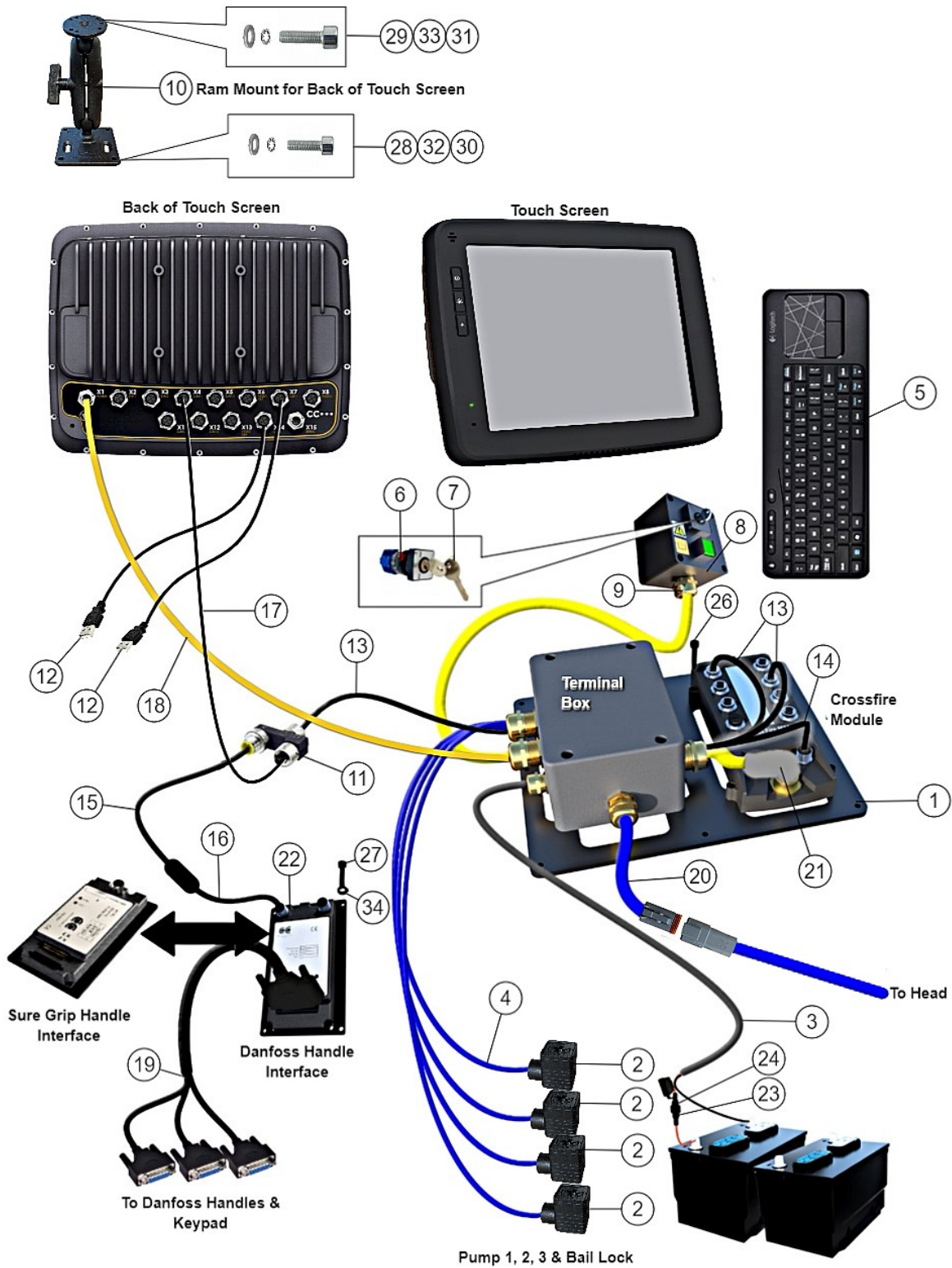


*All manufacturers names, numbers, marks, trademarks and symbols and descriptions are used for reference purposes only. Use of parts not supplied from the original manufacturer on machines under manufacturer warranty could potentially void your manufacturer warranty. Machined parts are built by Axis, not the original manufacturer.

360° Rotation Heads - Boom Wiring, Cypress Gen6

No.	Axis Part No	Qty	Description	Notes
1	EP456106	82	CABLE - BOOM	SOLD PER FOOT
2	EP910174	3	DEUSTCH PLUG 4 WIRE	
3	EP910176	1	DEUSTCH PLUG 6 WIRE	
4	EP910134	1	DEUSTCH RECEPTACLE 4 WIRE	
5	EP910136	1	DEUSTCH RECEPTACLE 6 WIRE	
6	EP920401	3	DEUSTCH 4 WIRE PLUG	
7	EP920601	1	DEUSTCH 6 WIRE PLUG	
8	EP920602	1	DEUSTCH 6 WIRE PLUG FOR RECEPTACLE	
9	EP920402	1	DEUSTCH 4 WIRE PLUG FOR RECEPTACLE	
10	EP910308	8	DEUSTCH SOCKET TERMINAL #14	
11	EP910309	4	DEUSTCH PIN TERMINAL #16	
12	EP910310	10	DEUSTCH SOCKET TERMINAL #16	
13	EP910311	6	DEUSTCH PIN TERMINAL #16	
14	EP910150	1	DEUSTCH CRIMP TOOL 16 GAUGE	

*All manufacturers names, numbers, marks, trademarks and symbols and descriptions are used for reference purposes only. Use of parts not supplied from the original manufacturer on machines under manufacturer warranty could potentially void your manufacturer warranty. Machined parts are built by Axis, not the original manufacturer.



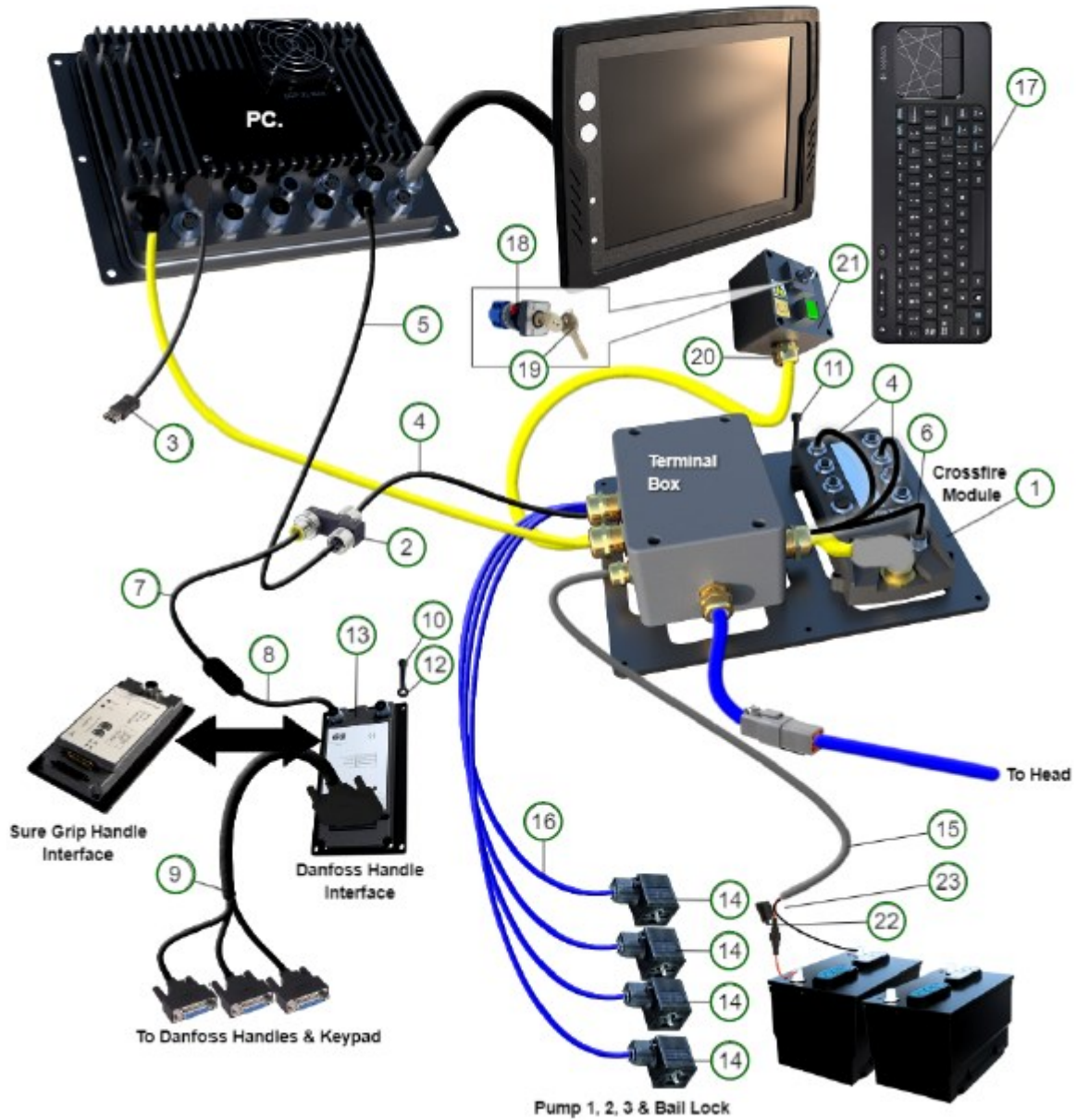
*All manufacturers names, numbers, marks, trademarks and symbols and descriptions are used for reference purposes only. Use of parts not supplied from the original manufacturer on machines under manufacturer warranty could potentially void your manufacturer warranty. Machined parts are built by Axis, not the original manufacturer.

Touch Screen Cab Components - Axis Product Made To Fit TimberRite

No.	Axis Part No	Qty	Description	Notes
1	EP100213	1	CROSSFIRE & TERMINAL BOX MOUNT PLATE	
2	EP455100	4	DIN CONNECTOR	
3	EP456113	1	BATTERY CABLE	
4	EP456126	1	CABLE - 2 CONDUCTOR BLUE JACKET	SOLD PER FOOT
5	EP624708	1	CORDLESS KEYBOARD	
6	EP683001	1	KEY SWITCH	
7	EP683002	1	REPLACEMENT KEY	
8	EP687000	1	KEY SWITCH ASSEMBLY	
9	EP698740	1	GLAND	
10	EP750786	1	RAM MOUNT	
11	EP860007	1	CANBUS TEE CONNECTOR	
12	EP860052	2	USB CABLE TO TIMBERRITE TOUCH SCREEN	
13	EP860053	3	WIRE LEAD	
14	EP860054	1	CABLE - CANBUS TO TEE	
15	EP860055	1	CABLE - CROSSFIRE CANBUS TO TERMINAL BOX	
16	EP860056	1	CABLE - CANBUS TEE TO JOYSTICK INTERFACE	
17	EP750057	1	CANBUS CABLE - DANFOSS GRIP INTERFACE	
18	EP860059	1	TIMBERRITE TOUCH SCREEN POWER CABLE	
19	EP860060	1	CABLE - DANFOSS JOYSTICK INTERFACE TO JOYSTICK & KEYPAD PLUGS	
20	EP860061	1	TIMBERRITE HEAD CABLE SHORT ADAPTER	
21	EP860063	1	CROSSFIRE POWER CABLE	
22	EP806203	1	JOYSTICK INTERFACE MOUNT	
23	EP990001	1	INLINE FUSE HOLDER	
24	EP990002	1	FUSE	
25	GFB80405	4	BOLT S/CAP - M4 X 5MM	
26	GFB80416	4	BOLT M4 X 16MM SOCKET HEAD	
27	GFW9004	4	WAVE WASHER 4MM	
28	GFB80516	4	BOLT - M5 X 16MM SOCKET HEAD	
29	GFB90616	4	SCREW - BUTTONHEAD M6X16	
30	GFW105	4	WASHER - M5 FLAT	
31	GFW106	4	WASHER - M5 FLAT	
32	GFW605	4	WASHER - M5 INTERNAL STAR	
33	GFW606	4	WASHER - M6 INTERNAL STAR	

*All manufacturers names, numbers, marks, trademarks and symbols and descriptions are used for reference purposes only. Use of parts not supplied from the original manufacturer on machines under manufacturer warranty could potentially void your manufacturer warranty. Machined parts are built by Axis, not the original manufacturer.

Cab Components - Axis Product Made to Fit TimberRite



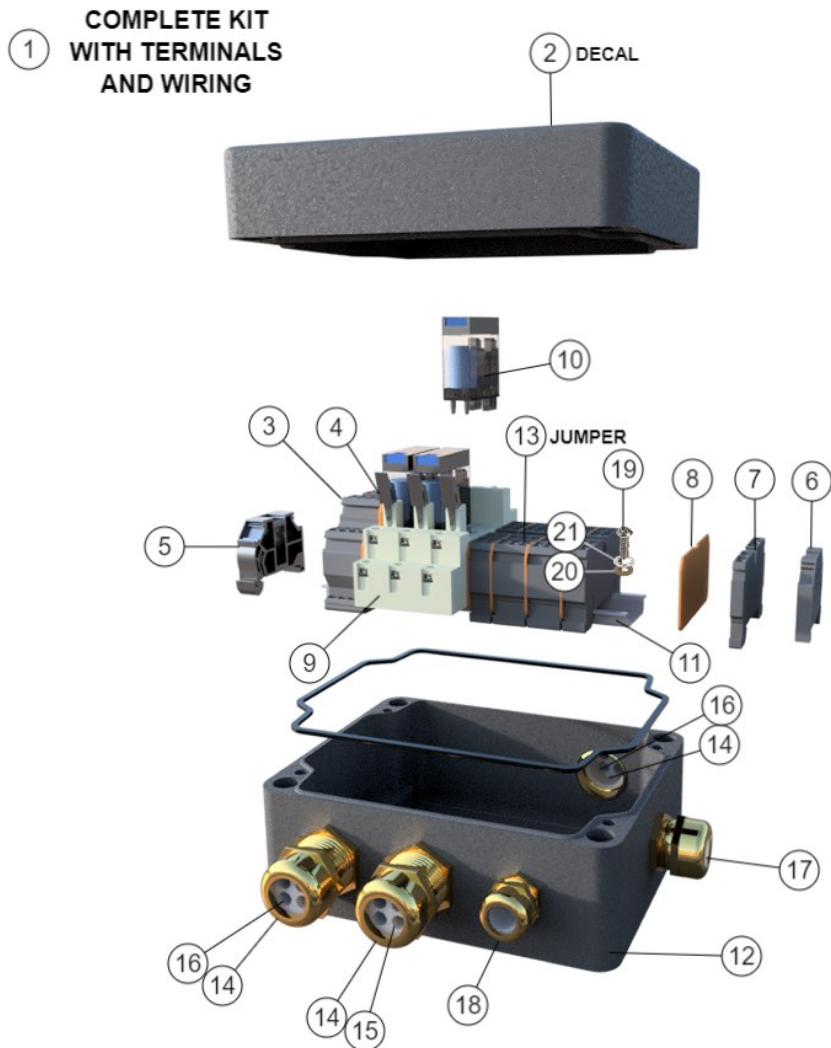
*All manufacturers names, numbers, marks, trademarks and symbols and descriptions are used for reference purposes only. Use of parts not supplied from the original manufacturer on machines under manufacturer warranty could potentially void your manufacturer warranty. Machined parts are built by Axis, not the original manufacturer.

PC Cab Components - Axis Product Made To Fit TimberRite

No.	Axis Part No	Qty	Description	Notes
1	EP100213	1	TIMBERRITE CROSSFIRE & TERMINAL BOX MOUNT PLATE	
2	EP860007	1	2-WAY TEE CONNECTOR FOR CANBUS	
3	EP860051	1	USB CABLE - FITS TO TIMBERRITE PC	
4	EP860053	1	WIRE LEAD	
5	EP860054	1	CABLE - TIMBERRITE CANBUS PC TO TEE	
6	EP860055	1	CABLE - CROSSFIRE CANBUS TO TERMINAL BOX	
7	EP860056	1	CABLE - CABUS TEE TO JOYSTICK INTERFACE CABLE - DANFOSS GRIP INTERFACE TO CANBUS	
8	EP860057	1	WIRE THAT FITS TO CANBUS TEE	
9	EP860060	1	CABLE ASSY -	
10	GFB80405	4	BOLT - S/CAP M4 X 5MM	
11	GFB80416	4	BOLT - M4 X 16MM SOCKET HEAD	
12	GFW9004	4	WAVE WASHER - M4	
13	EP806203	1	TIMBERRITE JOYSTICK INTERFACE MOUNT	
14	EP455100	4	DIN CONNECTOR	
15	EP456113	1	BATTERY CABLE 2 CONDUCTOR	
16	EP456126	1	CABLE--3 CONDUCTOR (SOLD PER FOOT)	
17	EP624708	1	CORDLESS KEYBOARD	
18	EP683001	1	KEYSWITCH	
19	EP683002	1	REPLACEMENT KEY	
20	EP698470	1	GLAND PG16	
21	EP687000	1	AXIS MADE KEY SWITCH ASSY	
22	EP990001	1	INLINE FUSE HOLDER	
23	EP990002-10	1	FUSE - 10A	

*All manufacturers names, numbers, marks, trademarks and symbols and descriptions are used for reference purposes only. Use of parts not supplied from the original manufacturer on machines under manufacturer warranty could potentially void your manufacturer warranty. Machined parts are built by Axis, not the original manufacturer.

Terminal Box - Axis Product Made to Fit TimberRite

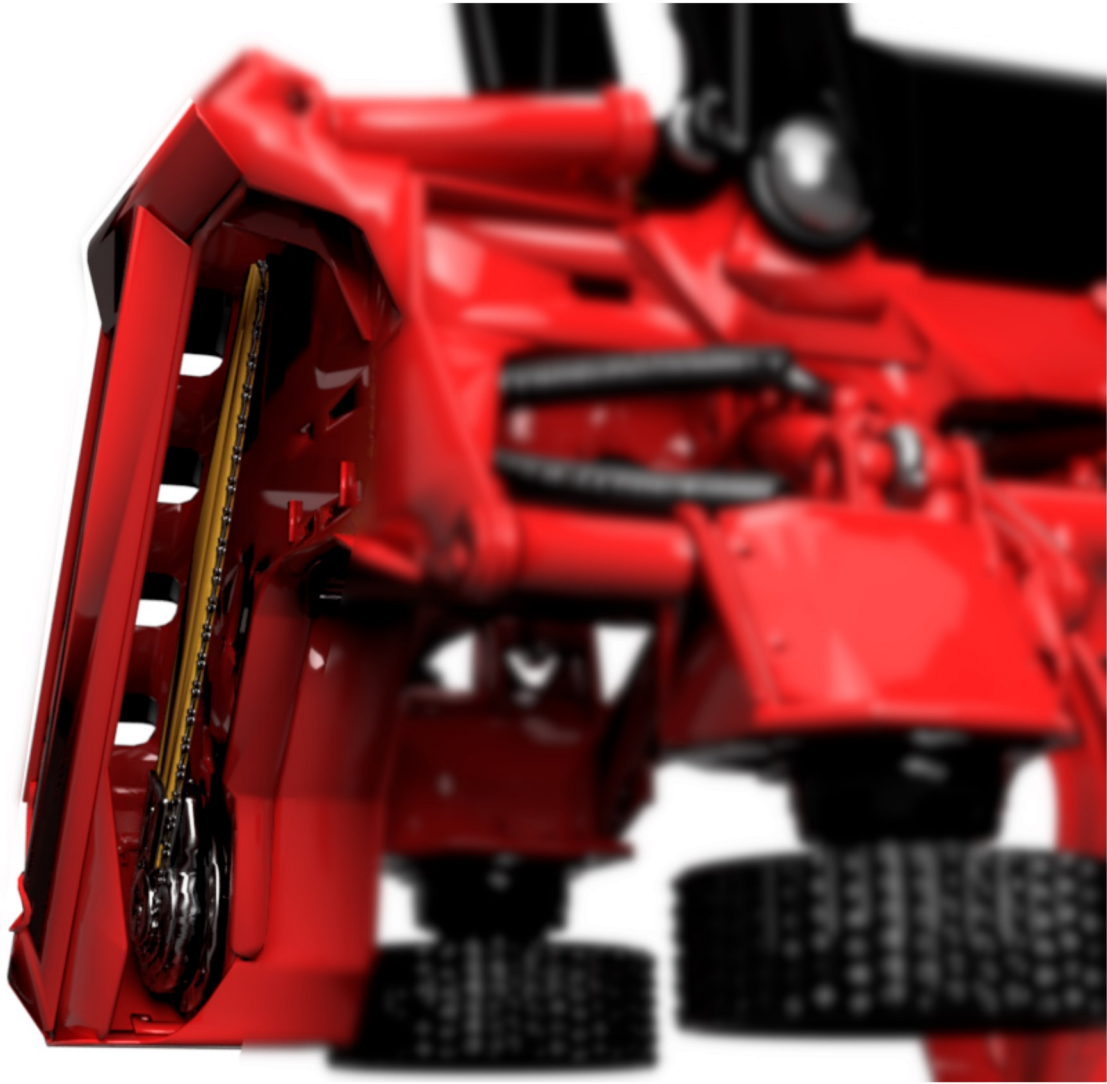


*All manufacturers names, numbers, marks, trademarks and symbols and descriptions are used for reference purposes only. Use of parts not supplied from the original manufacturer on machines under manufacturer warranty could potentially void your manufacturer warranty. Machined parts are built by Axis, not the original manufacturer.

Terminal Box - Axis Product Made To Fit TimberRite

No.	Axis Part No	Qty	Description	Notes
1	EP900201	1	TERMINAL BOX COMPLETE WITH TERMINALS &	
2	EP689001	1	DECAL	
3	EP689002	1	TERMINAL BLOCK	
4	EP689003	1	END & INTERMEDIATE PLATE ORANGE	
5	EP689004	1	END STOP 10MM	
6	EP689005	1	END STOP 6MM	
7	EP689006	1	TERMINAL BLOCK	
8	EP689007	5	INTERMEDIATE PLATE ORANGE	
9	EP689009	3	RELAY BASE	
10	EP689010	3	RELAY	
11	EP689011	1	MOUNTING RAIL	
12	EP689012	1	ENCLOSURE	
13	EP900208	4	JUMPER	
14	EP698750	1	GLAND	
15	EP698280	1	INSERT 2 HOLE	
16	EP698460	1	INSERT 4 HOLE	
17	EP698740	1	GLAND	
18	EP698720	1	GLAND	
19	GFB90510	1	BOLT - M5 X 10MM BUTTONHEAD	
20	GFW105	1	WASHER - M5 FLAT	
21	GFW605	1	WASHER - M5 INTERNAL STAR	

*All manufacturers names, numbers, marks, trademarks and symbols and descriptions are used for reference purposes only. Use of parts not supplied from the original manufacturer on machines under manufacturer warranty could potentially void your manufacturer warranty. Machined parts are built by Axis, not the original manufacturer.



SAWS GROUP

623C Oil Cap, Bar and Chain



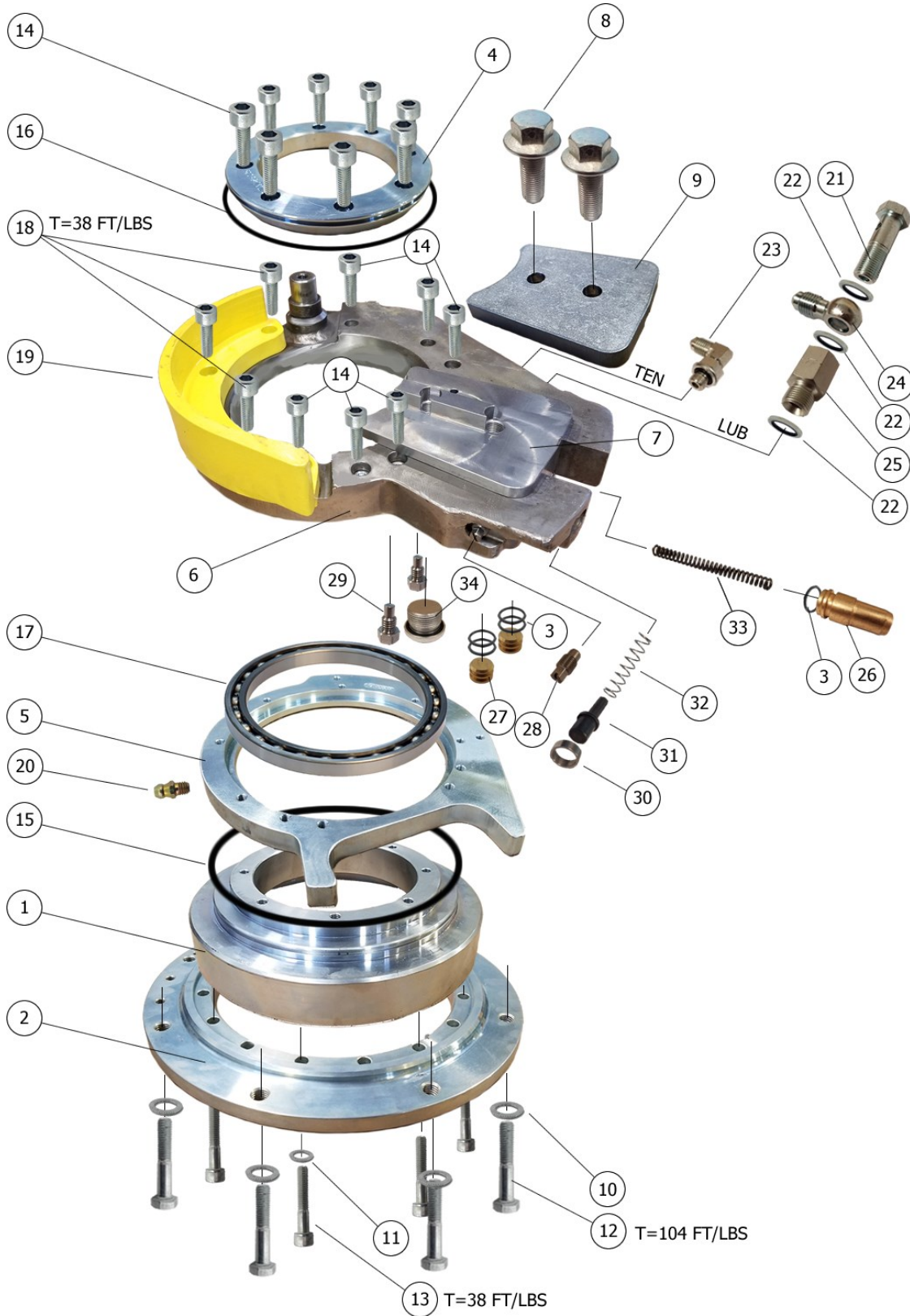
*All manufacturers names, numbers, marks, trademarks and symbols and descriptions are used for reference purposes only. Use of parts not supplied from the original manufacturer on machines under manufacturer warranty could potentially void your manufacturer warranty. Machined parts are built by Axis, not the original manufacturer.

623C Oil Cap, Bar and Chain

No.	Axis Part No	Qty	Description	Notes
1	ORE18HX074E	1	SAW CHAIN - .404 74 DRIVER	
2	GBFM2-21-80XV	1	TOP SAW BAR GB BRAND	
3	ORE642SMRQ114	1	TOP SAW BAR OREGON BRAND	
4	ORE11H056E	1	SAW CHAIN - 3/4" 56 DRIVER	
5	GBWBSM35-	1	MAIN SAW BAR GB BRAND	
6	TBA	1	REPLACEABLE TIP	
7	ORE351SNCT219	1	MAIN SAW BAR OREGON BRAND	
8	TBA	1	REPLACEABLE TIP	
9	GC100108	1	OIL FILL CAP	

*All manufacturers names, numbers, marks, trademarks and symbols and descriptions are used for reference purposes only. Use of parts not supplied from the original manufacturer on machines under manufacturer warranty could potentially void your manufacturer warranty. Machined parts are built by Axis, not the original manufacturer.

623C Auto Tension 3/4" Main Saw



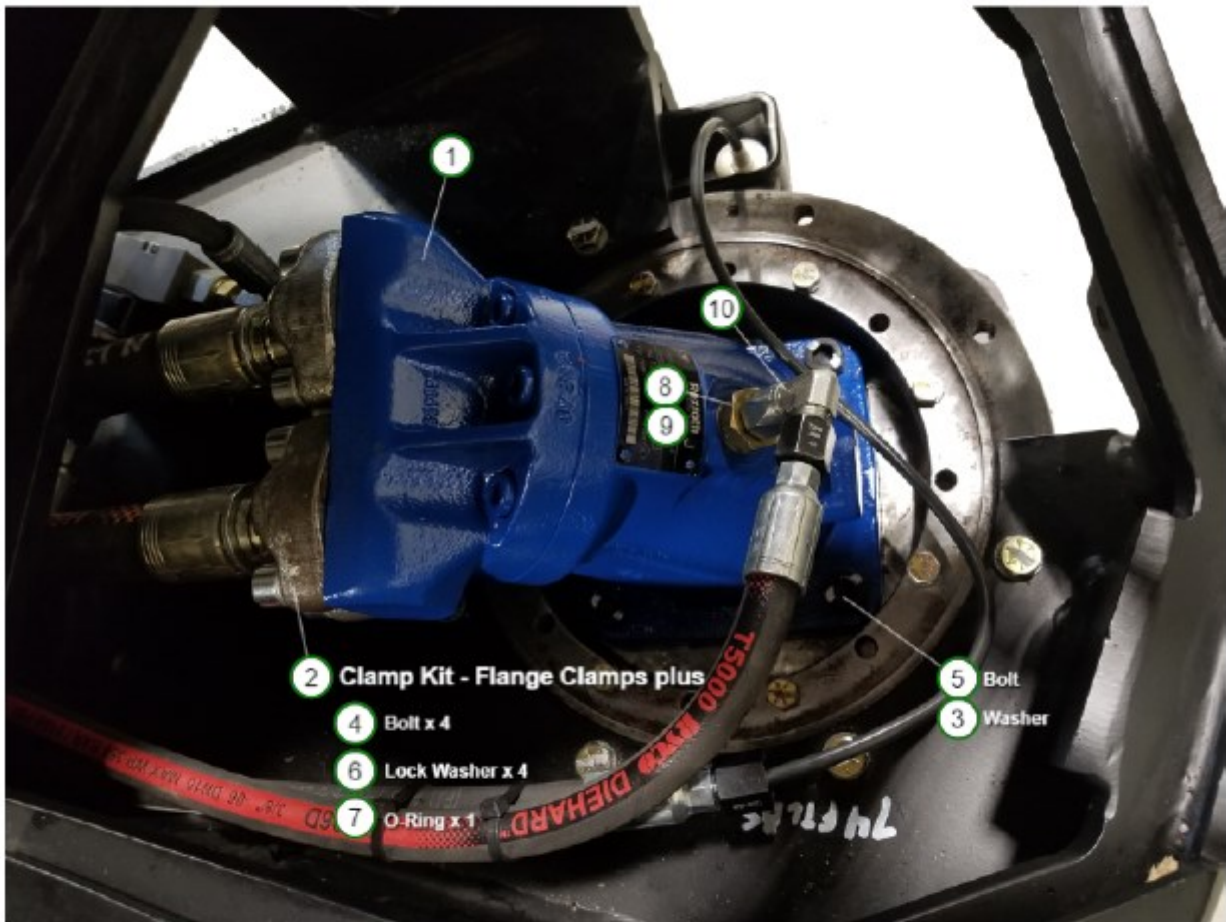
*All manufacturers names, numbers, marks, trademarks and symbols and descriptions are used for reference purposes only. Use of parts not supplied from the original manufacturer on machines under manufacturer warranty could potentially void your manufacturer warranty. Machined parts are built by Axis, not the original manufacturer.

623C Auto Tension 3/4" Main Saw

No.	Axis Part No	Qty	Description	Notes
1	MS437001	1	HOUSING	
2	MS437002	1	RING	
3	T232457	5	O-RINGS FOR TENSION PISTONS	
4	MS437008	1	PLATE	
5	MS437009	1	RING	
6	MS437013	1	SWING ARM ASSEMBLY	
7	MS437031	1	BAR MOUNT ASSY	
8	MS437023	2	BOLT - 3/4 AUTO TENSION	
9	MS437032	1	CLAMP PLATE	
10	GFW5500	6	ANTI-VIBRATION LOCKWASHER 1./2" (m12)	
11	GFW5312	1	ANTI-VIBRATION LOCKWASHER 5/16" (M8)	
12	GFB71235	6	BOLT - M12 X 35MM HEX HEAD	
13	GFB80840	8	BOLT - M8 X40MM SOCKET HEAD	
14	GFB80835	14	BOLT - M8 X 35MM SOCKET HEAD	
15	T1899467V	1	O-RING	
16	T1679517A	1	O-RING	
17	BR115758	1	BEARING	
18	GFB80845	3	BOLT - M8 X 45MM SOCKET HEAD	
19	MS434008	1	CHAIN SHOT GUARD	
20	GFZ6	1	M6 GREASE FITTING	
21	HF110	1	BANJO SCREW	
22	BSP2	2	BONDED SEAL #2 (1/8")	
23	HF2949-4-2	1	FITTING - #4 JIC MALE X #2 BSP 90 DEGREE	
24	HF109	1	FITTING ADAPTER BANJO TO JIC #4	
25	HF4050-2-2	1	FITTING EXTENDER MALE BSP 2 TO FEM BSP 2	
26	MS437014	1	PISTON CHAIN TENSION	
27	MS345022	2	PISTON BAR CLAMP TENSION	
28	MS345103	1	CHECK VALVE-CHAIN TENSION RELEASE	REQUIRES M7 SOCKET TO RELEASE
29	MS345706	1	BOLTS-BAR MOUNT GUIDE BOLTS	
30	MS345128	1	LOCK PIN RETAINING COLLAR	
31	MS345028	1	LOCKING PIN	
32	MS345529	1	SPRING	
33	MS345554	1	SPRING	
34	HF41-26	1	PLUG M26	

*All manufacturers names, numbers, marks, trademarks and symbols and descriptions are used for reference purposes only. Use of parts not supplied from the original manufacturer on machines under manufacturer warranty could potentially void your manufacturer warranty. Machined parts are built by Axis, not the original manufacturer.

623C 3/4" Main Saw Motor Mounting



*All manufacturers names, numbers, marks, trademarks and symbols and descriptions are used for reference purposes only. Use of parts not supplied from the original manufacturer on machines under manufacturer warranty could potentially void your manufacturer warranty. Machined parts are built by Axis, not the original manufacturer.

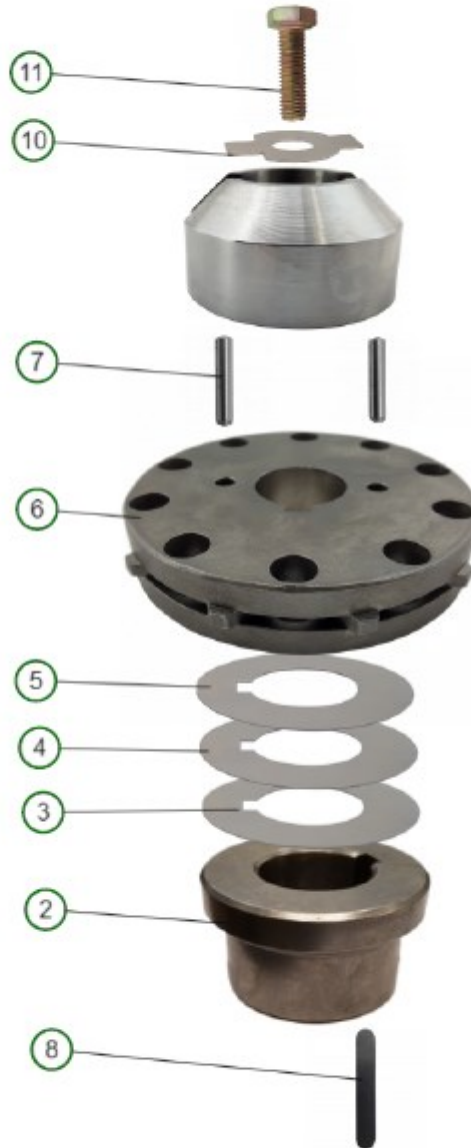
623C 3/4" Main Saw Motor Mounting

No.	Axis Part No	Qty	Description	Notes
1	MT434001	1	MOTOR	
2	HF161016K	2	CODE 62 #12 FLANGE CLAMP KIT	
3	GFW1500	4	WASHER - 1/2" HARDENED	
4	GFB81035	8	BOLT - M10 X 35MM	
5	GFB81235	1	BOLT - M12 X 35MM SOCKET HEAD	
6	GFW5375	8	ANTI-VIBRATION LOCKWASHER 3/8" (M10)	
7	R24523C	2	O-RING	
8	HF2091-6-18	1	FITTING - #6 JIC MALE X M18 X 1.5 MALE	
9	BSP18M	1	BONDED SEAL M18	
10	HF2939-6-6	1	FITTING - #6 JIC MALE X #6 JIC FEMALE 90 DEGREE	

*All manufacturers names, numbers, marks, trademarks and symbols and descriptions are used for reference purposes only. Use of parts not supplied from the original manufacturer on machines under manufacturer warranty could potentially void your

623C 3/4" Auto Tension Main Saw Sprocket Assembly

① Complete Kit



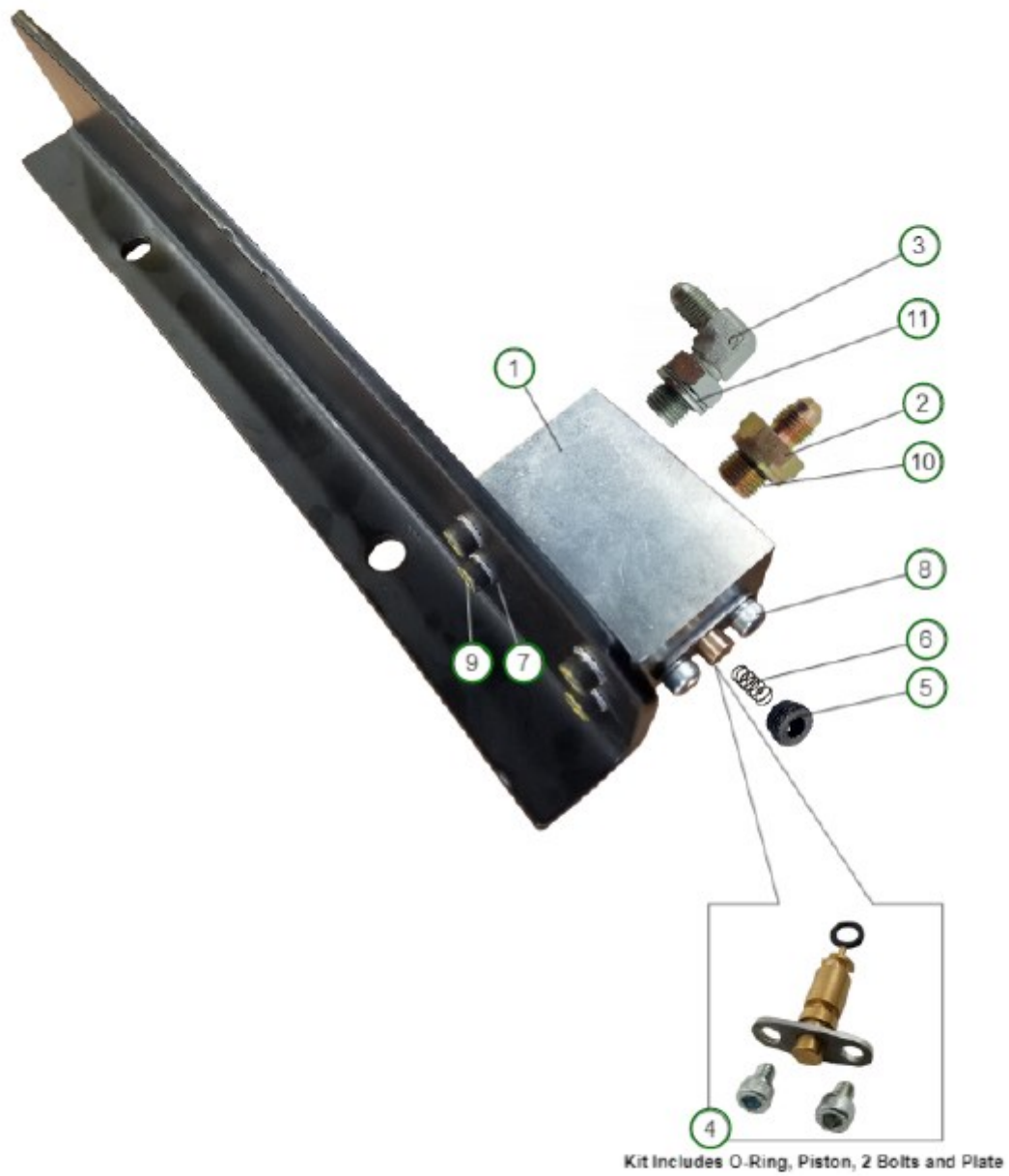
*All manufacturers names, numbers, marks, trademarks and symbols and descriptions are used for reference purposes only. Use of parts not supplied from the original manufacturer on machines under manufacturer warranty could potentially void your manufacturer warranty. Machined parts are built by Axis, not the original manufacturer.

623C 3/4" Auto Tension Main Saw Sprocket Assembly

No.	Axis Part No	Qty	Description	Notes
1	MS437030	1	COMPLETE KIT	
2	MS437020	1	SPACER	
3	MS435025	1	SHIM - 0.25MM	
4	MS435050	1	SHIM - 0.50MM	
5	MS435100	1	SHIM - 1.00MM	
6	HR819	1	10 TOOTH RIM SPROCKET	
7	DP060030	2	DOWEL PIN	
8	MS435009	1	KEYWAY	
9	MS435001	1	SPROCKET RETAINER	
10	MS434152	1	LOCKTAB WASHER	
11	GFB71240	1	BOLT - M12 X 40MM HEX HEAD	

*All manufacturers names, numbers, marks, trademarks and symbols and descriptions are used for reference purposes only.
Use of parts not supplied from the original manufacturer on machines under manufacturer warranty could potentially void your
manufacturer warranty. Machined parts are built by Axis, not the original manufacturer.

623C 3/4" Auto Tension Release Manifold



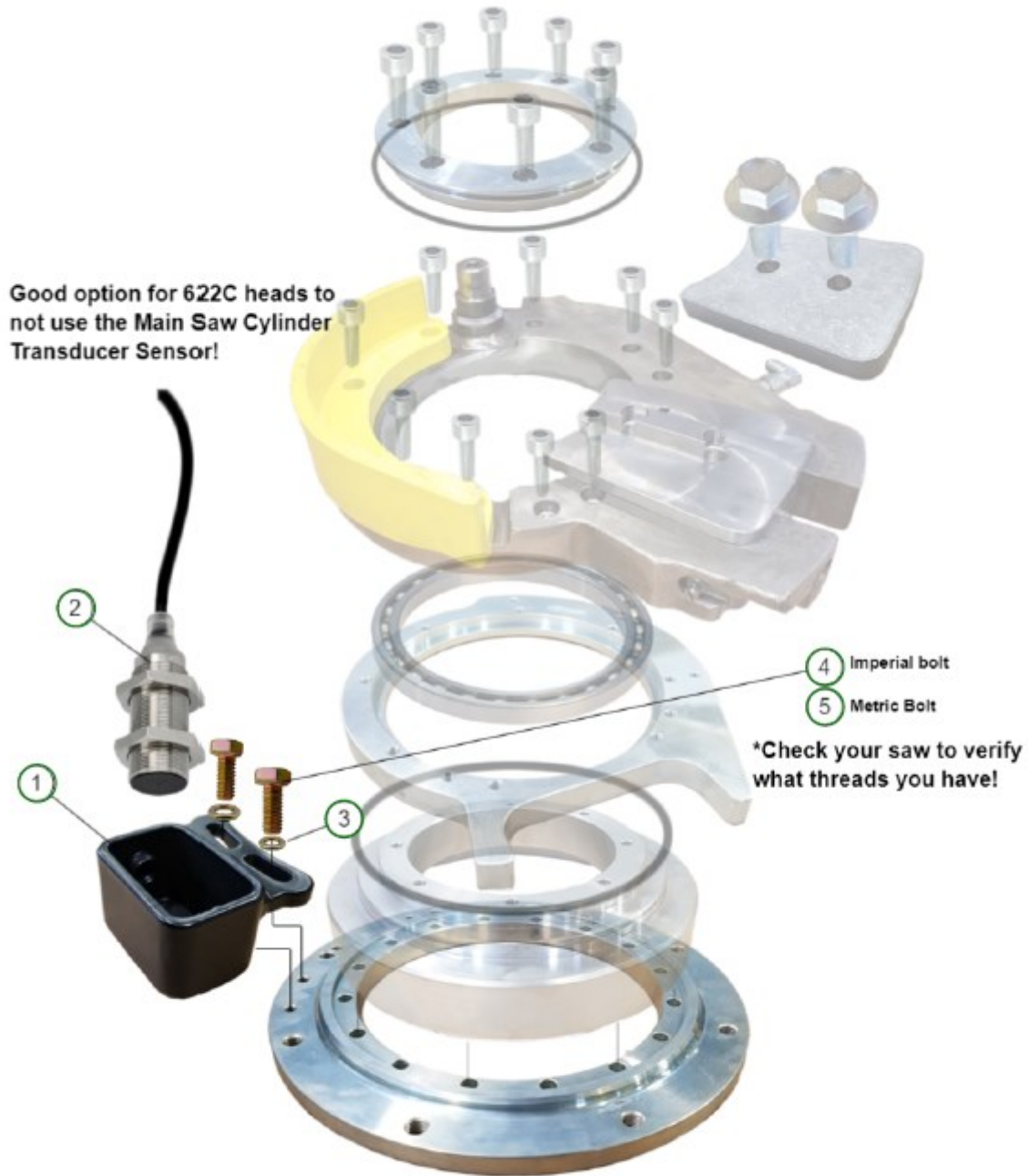
*All manufacturers names, numbers, marks, trademarks and symbols and descriptions are used for reference purposes only. Use of parts not supplied from the original manufacturer on machines under manufacturer warranty could potentially void your manufacturer warranty. Machined parts are built by Axis, not the original manufacturer.

623C 3/4" Auto Tension Release Manifold

No.	Axis Part No	Qty	Description	Notes
1	MS437019	1	TENSION RELEASE BLOCK	
2	HF2040-4-4	1	FITTING - #4 JIC MALE X #4 BSPP MALE	
3	HF2949-4-4	1	FITTING - #4 JIC MALE X #4 BSPP MALE 90	
4	MS325441	1	PILOT VALVE	
5	MS345026	1	CHECK VALVE	
6	MS345553	1	COMPRESSION SPRING	
7	GFW5250	4	ANTI-VIBRATION LOCKWASHER 1/2" (M4)	
8	GFB80608	2	BOLT - M6 X 8MM SOCKET HEAD	
9	GFB80620	4	BOLT - M6 X 20MM SOCKET HEAD	
10	BSP4	1	BONDED SEAL - BSP #4 (1/4")	
11	R24420C	1	O-RING	

*All manufacturers names, numbers, marks, trademarks and symbols and descriptions are used for reference purposes only. Use of parts not supplied from the original manufacturer on machines under manufacturer warranty could potentially void your manufacturer warranty. Machined parts are built by Axis, not the original manufacturer.

623C 3/4" Main Saw Proximity Sensor



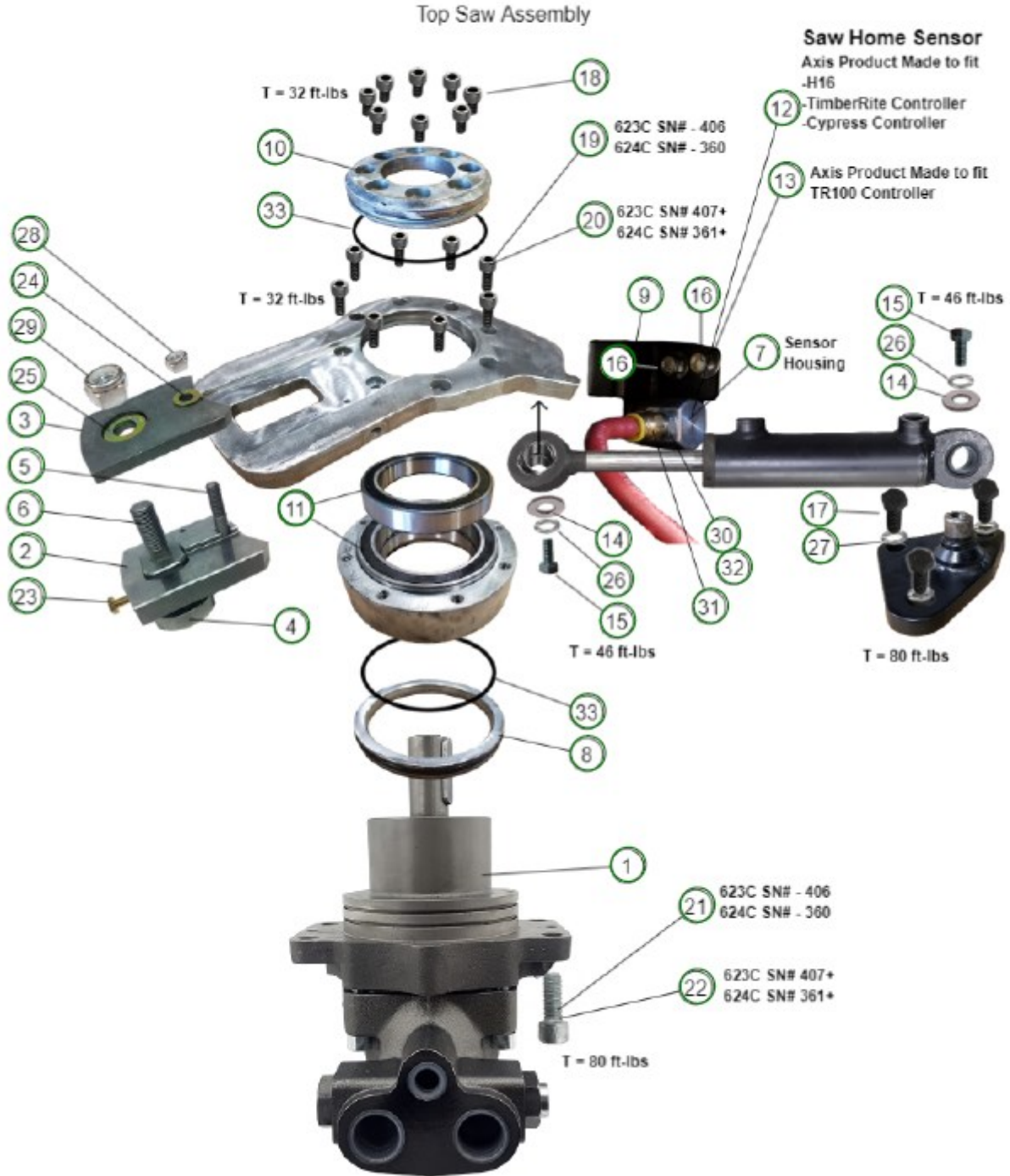
*All manufacturers names, numbers, marks, trademarks and symbols and descriptions are used for reference purposes only. Use of parts not supplied from the original manufacturer on machines under manufacturer warranty could potentially void your manufacturer warranty. Machined parts are built by Axis, not the original manufacturer.

623C 3/4" Main Saw Proximity Sensor

No.	Axis Part No	Qty	Description	Notes
1	MS434724	1	PROX SWITCH HOLDER	
2	EP455105	1	SAW HOM PROXIMITY SWITCH	
3	GFW1312	2	WASHER 5/16"	
4	GFB1312075	2	BOLT - 5/16 X 0.75" UNC HEX HEAD	
5	GFB70820	2	BOLT - M8 X 20 HEX HEAD	

*All manufacturers names, numbers, marks, trademarks and symbols and descriptions are used for reference purposes only. Use of parts not supplied from the original manufacturer on machines under manufacturer warranty could potentially void your manufacturer warranty. Machined parts are built by Axis, not the original manufacturer.

623C Top Saw Assembly



*All manufacturers names, numbers, marks, trademarks and symbols and descriptions are used for reference purposes only. Use of parts not supplied from the original manufacturer on machines under manufacturer warranty could potentially void your manufacturer warranty. Machined parts are built by Axis, not the original manufacturer.

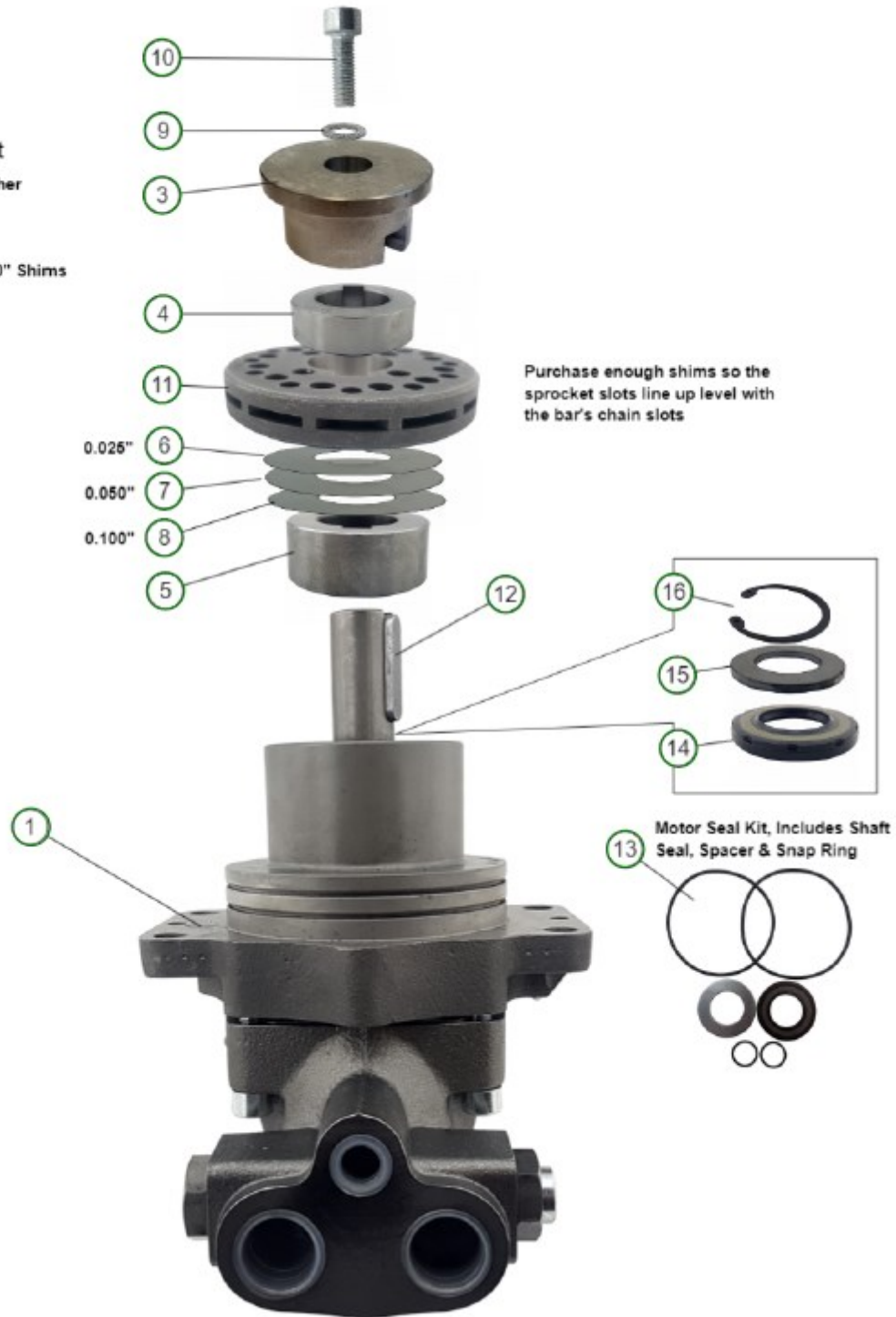
623C Top Saw Assembly

No.	Axis Part No	Qty	Description	Notes
1	MT345100	1	MOTOR	
2	TS955001	1	BAR MOUNT	
3	TS955002	1	BAR CLAMP	
4	TS955003	1	ADJUSTER BLOCK	
5	TS955015	1	STUD - 3/8" UNF	
6	TS955016	1	STUD - 5/8" UNF	
7	TS955017	1	HOUSING - TOP SAW PROX	
8	TS956005	1	SPACER	
9	TS956012	1	PROXIMITY SWITCH BRACKET	
10	TS945006	1	RETAINER	
11	BR115755	2	BEARING	
12	EP455105	1	SAW HOME PROXIMITY SWITCH	
13	EP455111	1	PROX SWITCH- FITS TIMERITE & TIMBERMATIC	
14	BW251004	2	SPACER	
15	GFB71025	2	BOLT - M10 X 25MM HEX HEAD	
16	GFB71225FL	2	BOLT - M12 X 25MM HEX HEAD	
17	GFB71230	3	BOLT - M12 X 30MM HEX HEAD	
18	GFB80816	8	BOLT - 8 X 16MM SOCKET HEAD	
19	GFB80825	8	S/CAP 8M X 25MM	
20	GFB80835	8	BOLT - 8MM X 35MM SOCKET HEAD	
21	GFB81230	4	BOLT - M12 X 30MM SOCKET HEAD	
22	GFB81245	4	BOLT - M12 X 45MM SOCKET HEAD	
23	GFB2250225FT	1	BOLT - TOP SAW TENSIONER	
24	GFW1375	1	WASHER - 3/8" HARDENED	
25	GFW1625	1	WASHER - 5/8" HARDENED	
26	GFW5375	2	ANTI-VIBRATION LOCKWASHER 3/8" (M10)	
27	GFW5500	3	ANTI-VIBRATION LOCKWASHER 1/2" (M12)	
28	GFN5375	1	NUT - 3/8" UNF NYLOCK	
29	GFN5625	1	NUT - 5/8" UNF NYLOCK	
30	HF2040-8-6	1	FITTING - #8 JIC MALE X #6 BSPP MALE	
31	HF30PS-8-6	1	FITTING - #6 BARB X #8 F-JIC	
32	BSP6	1	BONDED SEAL - #6 (3/8")	
33	R24545A	2	O-RING	

*All manufacturers names, numbers, marks, trademarks and symbols and descriptions are used for reference purposes only. Use of parts not supplied from the original manufacturer on machines under manufacturer warranty could potentially void your manufacturer warranty. Machined parts are built by Axis, not the original manufacturer.

623C Top Saw Sprocket Kit

- 2**
Sprocket Kit
Bolt & Lockwasher
Chain Catcher
Spacer
Sprocket
.025", .050", .100" Shims
Spacer



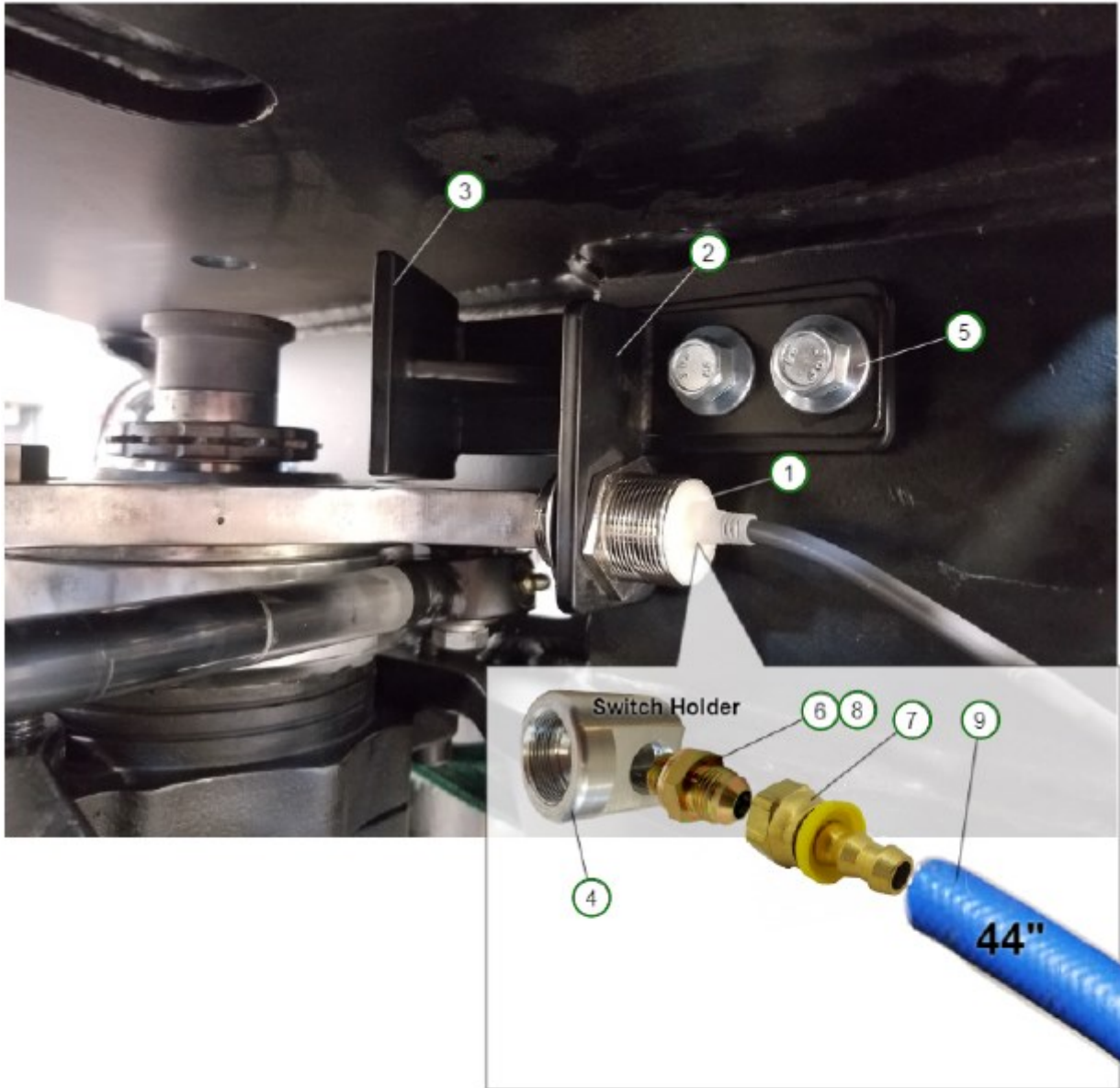
*All manufacturers names, numbers, marks, trademarks and symbols and descriptions are used for reference purposes only. Use of parts not supplied from the original manufacturer on machines under manufacturer warranty could potentially void your manufacturer warranty. Machined parts are built by Axis, not the original manufacturer.

623C Top Saw Sprocket Kit

No.	Axis Part No	Qty	Description	Notes
1	MT345100	1	MOTOR	
2	TS956001	1	CHAIN CATCHER KIT	
3	TS956002	1	CHAIN CATCHER	
4	TS956003	1	SPACER	
5	TS956004	1	SPACER	
6	MS345025	1	SHIM - 0.25MM	
7	MS345050	1	SHIM - 0.50MM	
8	MS345100	1	SHIM - 1.00MM	
9	GFW5312	1	ANTI-VIBRATION LOCKWASHER 5/16" (M8)	
10	GFB80825	1	S/CAP M8 X 25MM	
11	RSC12-404	1	RIM SPROCKET 12T	
12	MS345002	1	KEYWAY	
13	SK345100	1	SEAL KIT	
14	SS523006	1	SHAFT SEAL	
15	MS345590	1	BACKUP RING	
16	GFS552	1	SNAP RING	

*All manufacturers names, numbers, marks, trademarks and symbols and descriptions are used for reference purposes only. Use of parts not supplied from the original manufacturer on machines under manufacturer warranty could potentially void your manufacturer warranty. Machined parts are built by Axis, not the original manufacturer.

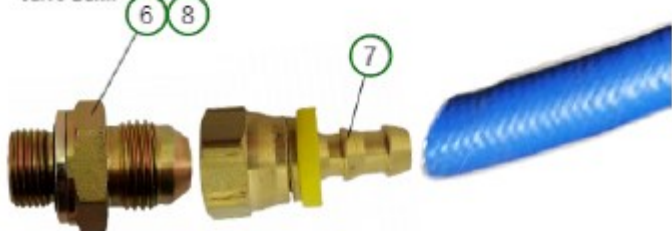
623C Top Saw Proximity Sensor



Sockets to crimp on the wires to fit into head module



Threads into Head Frame Behind Valve Bank

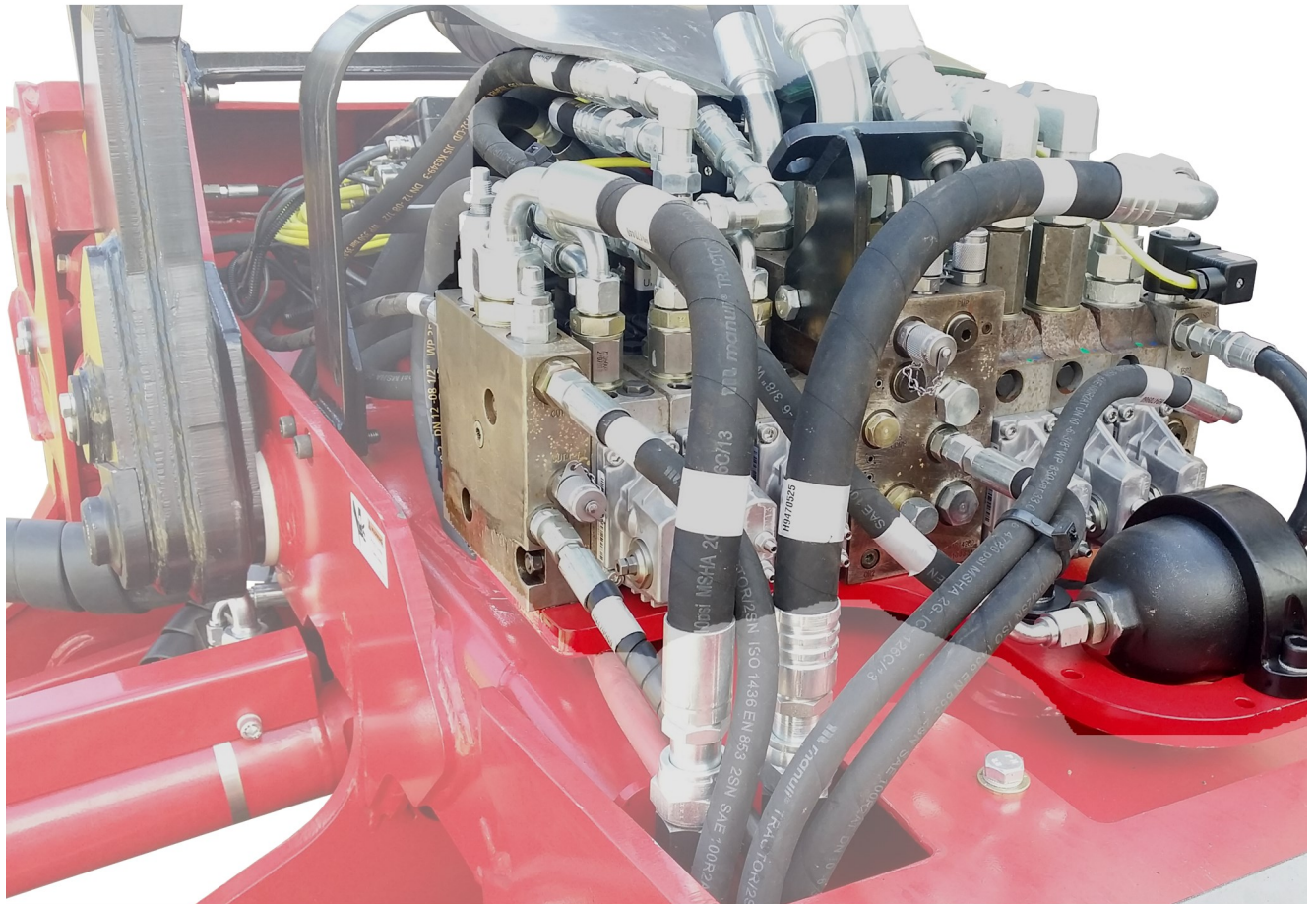


*All manufacturers names, numbers, marks, trademarks and symbols and descriptions are used for reference purposes only. Use of parts not supplied from the original manufacturer on machines under manufacturer warranty could potentially void your manufacturer warranty. Machined parts are built by Axis, not the original manufacturer.

623C Top Saw Proximity Sensor

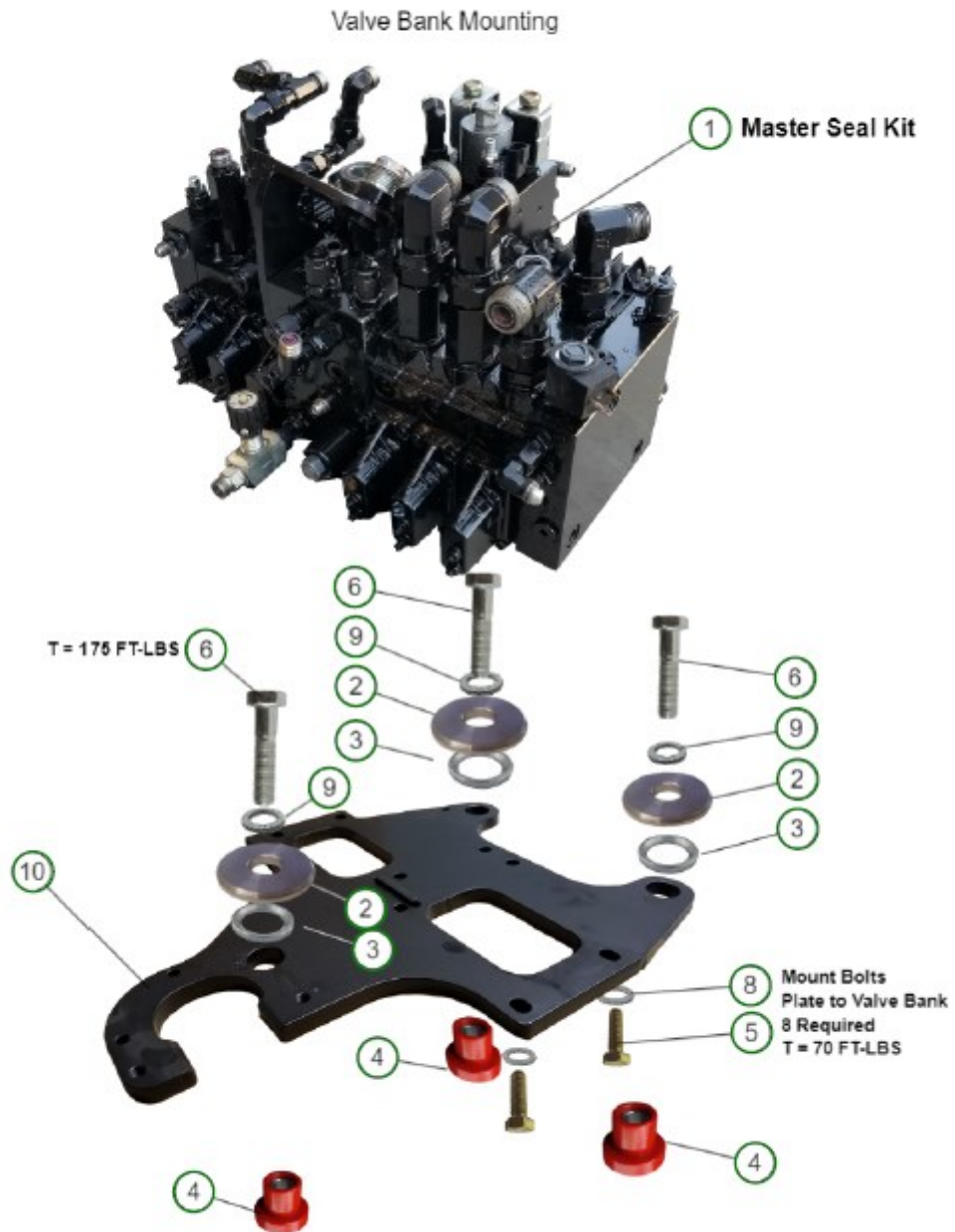
No.	Axis Part No	Qty	Description	Notes
1	EP455105	1	SAW HOME PROXIMITY SWITCH	
2	TS956012	1	SENSOR MOUNT	
3	TS956013	1	CHAIN SHOT GUARD	
4	TS955017	1	HOUSING	
5	GFB7122FL	2	BOLT - M12 X 25MM HEX HEAD, SERRATED	
6	HF2040-8-6	1	FITTING - #8 JIC MALE X #6 BSPP MALE	
7	HF30PS-8-6	1	FITTING - #6 BARB X #8 F-JIC	
8	BSP6	1	BONDED SEAL - #6 (3/8")	
9	HFP0375BU	4	BULK HOSE 3/8" BLUE DEUTSCH SOCKET TERMINAL 18AWG #20 GOLD	
10	EP910321	3	GREEN STRIPE	

*All manufacturers names, numbers, marks, trademarks and symbols and descriptions are used for reference purposes only. Use of parts not supplied from the original manufacturer on machines under manufacturer warranty could potentially void your manufacturer warranty. Machined parts are built by Axis, not the original manufacturer.



HYDRAULICS

623C Valve Bank Mounting



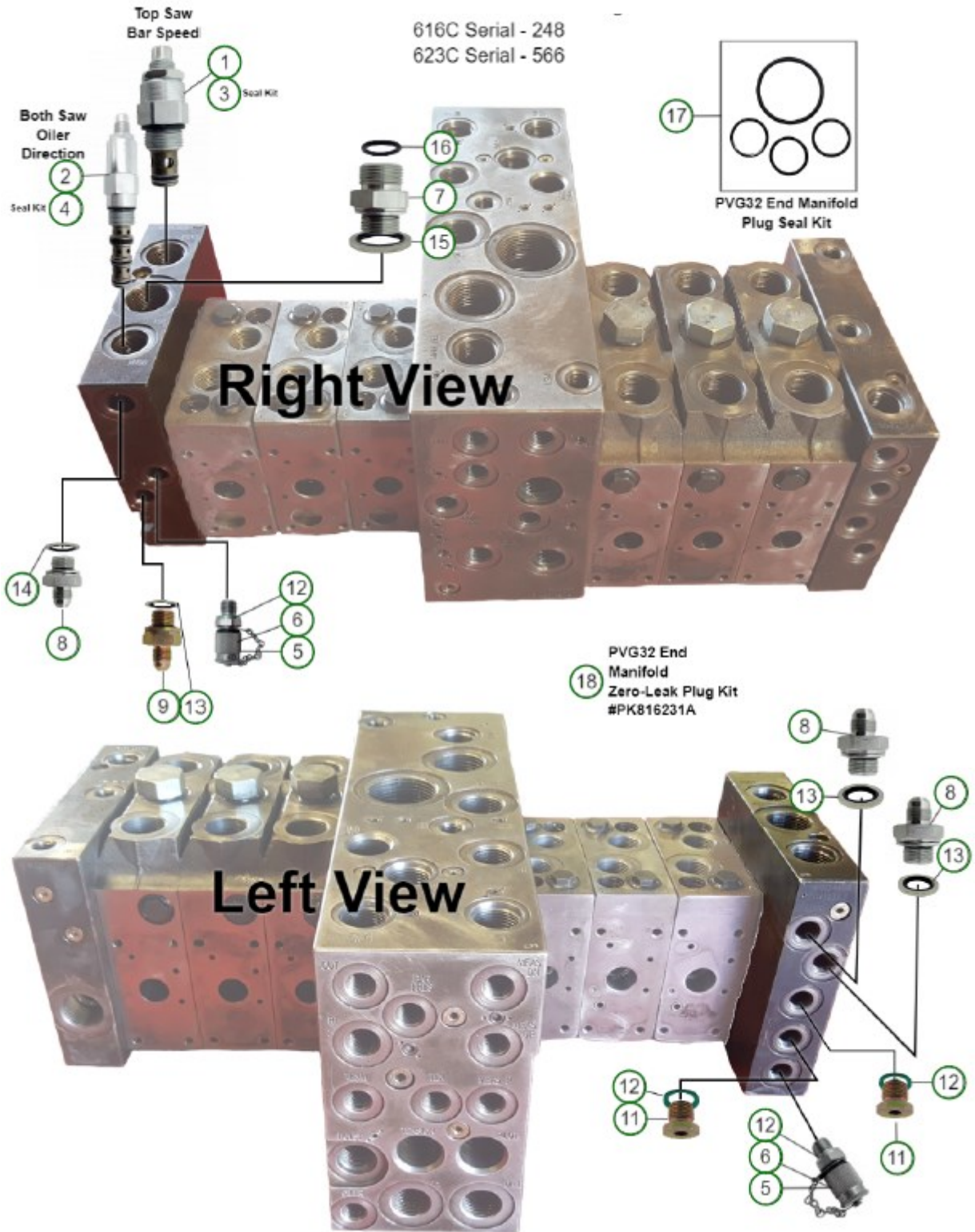
*All manufacturers names, numbers, marks, trademarks and symbols and descriptions are used for reference purposes only. Use of parts not supplied from the original manufacturer on machines under manufacturer warranty could potentially void your manufacturer warranty. Machined parts are built by Axis, not the original manufacturer.

623C Valve Bank Mounting

No.	Axis Part No	Qty	Description	Notes
1	SK227623	1	MASTER SEAL KIT	
2	MR561052	3	STEPPED WASHER	
3	MR561053	3	SPACER	
4	MR561051	3	VALVE BANK MOUNT	
5	GFB71235	8	BOLT - M12 X 35MM HEX HEAD	
6	GFB71660	3	BOLT - M16 X 60MM	
7	GFB81240	1	BOLT - M12 X 40MM SOCKET HEAD	
8	GFW5500	8	ANTI-VIBRATION LOCKWASHER 1/2" (M12)	
9	GFW5625	3	ANTI-VIBRATION LOCKWASHER 5/8" (M16)	
10	VM623001	1	MOUNTING SUBPLATE	

*All manufacturers names, numbers, marks, trademarks and symbols and descriptions are used for reference purposes only. Use of parts not supplied from the original manufacturer on machines under manufacturer warranty could potentially void your manufacturer warranty. Machined parts are built by Axis, not the original manufacturer.

623C PVG32 End Manifold up to Serial 566



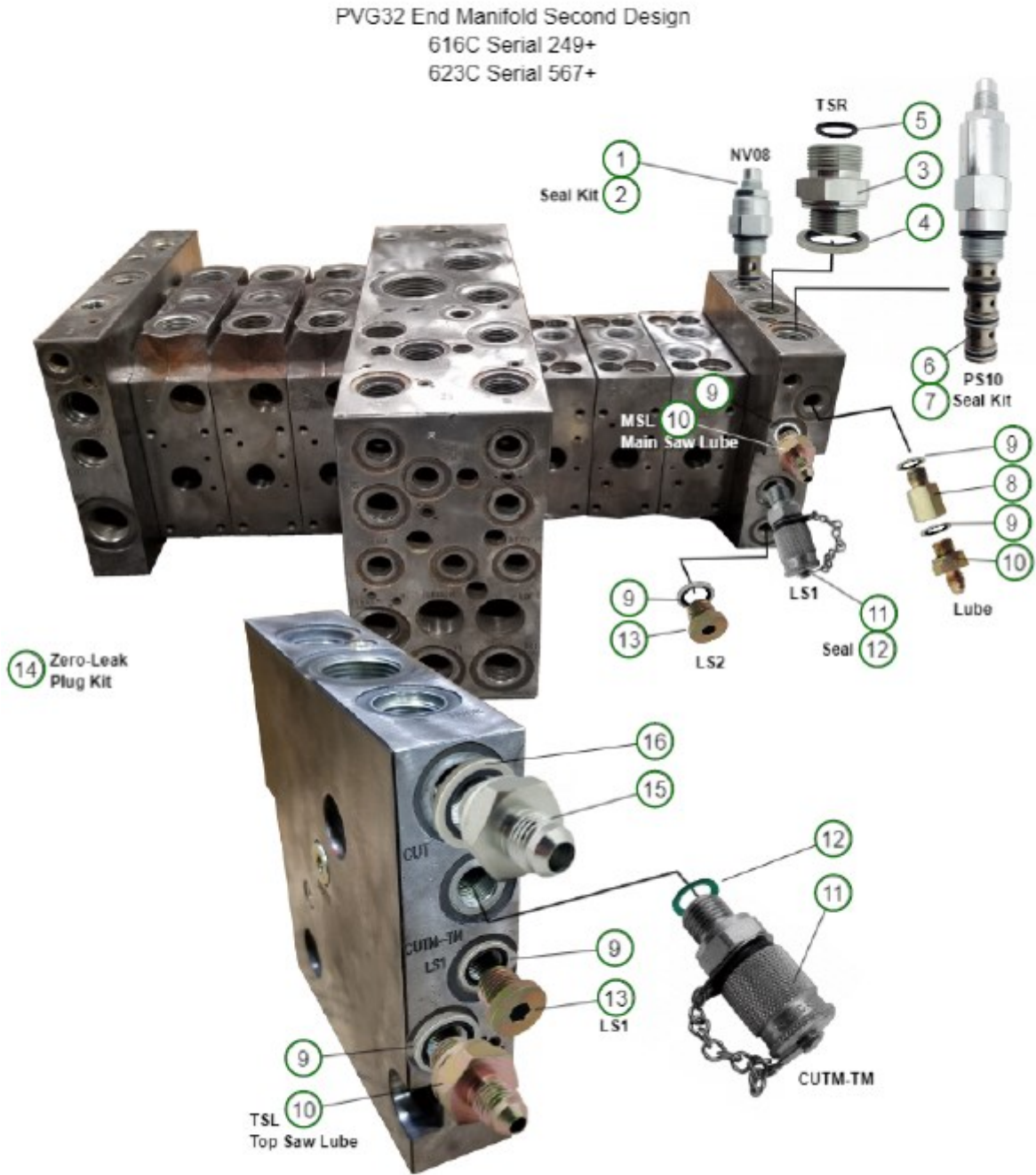
*All manufacturers names, numbers, marks, trademarks and symbols and descriptions are used for reference purposes only. Use of parts not supplied from the original manufacturer on machines under manufacturer warranty could potentially void your manufacturer warranty. Machined parts are built by Axis, not the original manufacturer.

623C PVG32 End Manifold up to Serial 566

No.	Axis Part No	Qty	Description	Notes
1	HV350828	1	HYDRAULIC VALVE	
2	HV350833	1	CARTRIDGE VALVE (USE SEAL KIT SK351717)	
3	SK351714	1	SEAL KIT	
4	SK351717	1	SEAL KIT FOR HV350885	
5	HF14TP	2	TEST PORT 1/4" BSP	
6	HF14TPC	2	TEST PORT CAP	
7	HF4060-12-12	1	FITTING - #12 BSP MALE X #12 ORFS MALE	
8	HF2040-6-6	1	FITTING - #6 JIC MALE X #6 BSP MALE	
9	HF2040-4-4	1	FITTING - #4 JIC MALE X #4 BSP MALE	
10	HF2040-6-4	2	FITTING - #6 JIC MALE X #4 BSP MALE	
11	HF41-4	2	FITTING - ROUNG PLUG # BSP SEAL	
12	ED4	4	SPECIAL BSP SEAL #4	
13	BSP4	2	BONDED SEAL - #4 (1/4")	
14	BSP6	1	BONDED SEAL - #6 (3/8")	
15	BSP12	1	BONDED SEAL - #12 (3/4")	
16	R24327C	1	O-RING - #12 ORFS	
17	SK816231	1	ZERO-LEAK PLUGS O-RING KIT	
18	PK816231A	1	PLUG KIT	

*All manufacturers names, numbers, marks, trademarks and symbols and descriptions are used for reference purposes only. Use of parts not supplied from the original manufacturer on machines under manufacturer warranty could potentially void your manufacturer warranty. Machined parts are built by Axis, not the original manufacturer.

623C PVG32 End Manifold Serial 567 and up



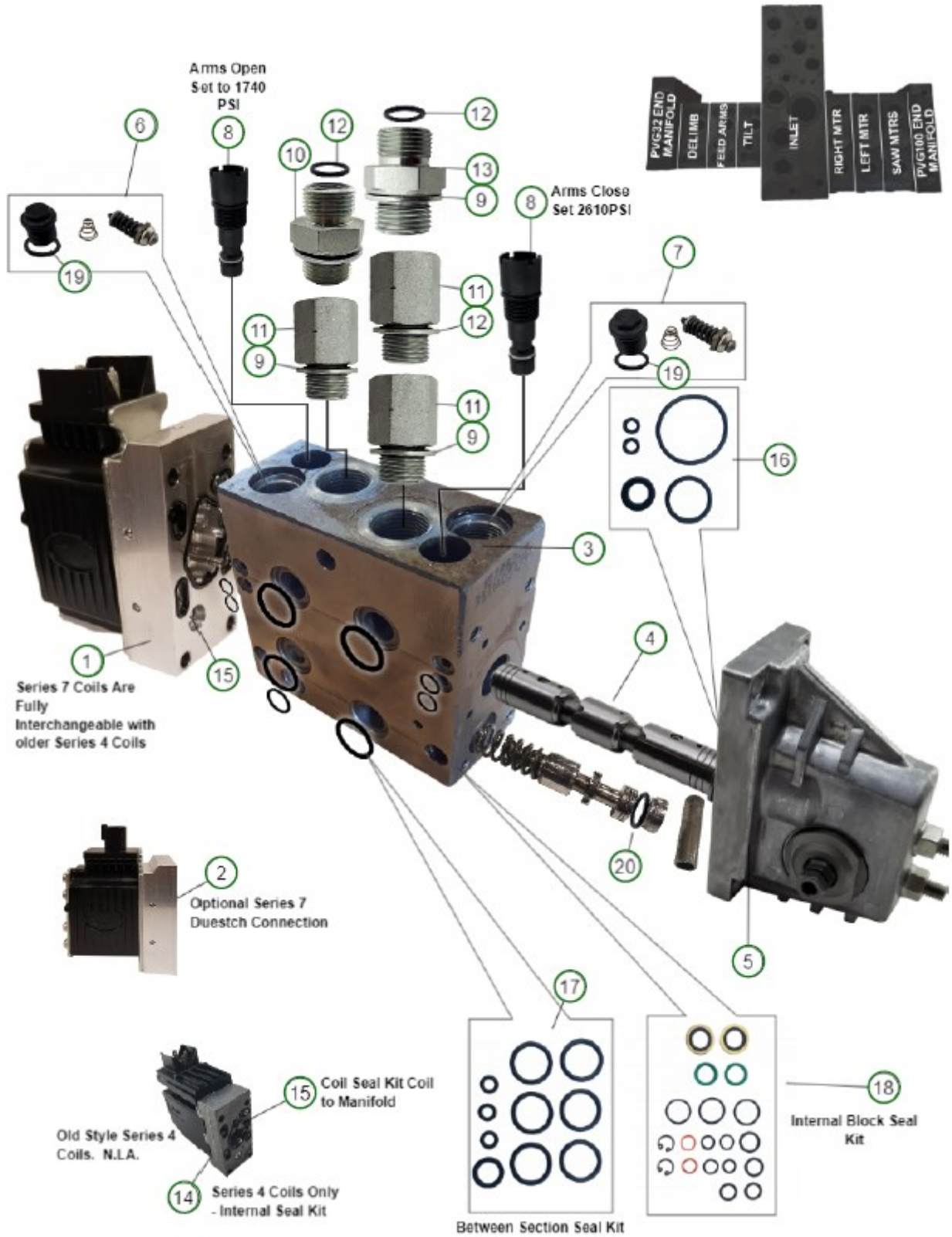
*All manufacturers names, numbers, marks, trademarks and symbols and descriptions are used for reference purposes only. Use of parts not supplied from the original manufacturer on machines under manufacturer warranty could potentially void your manufacturer warranty. Machined parts are built by Axis, not the original manufacturer.

623C PVG32 End Manifold Serial 567 and up

No.	Axis Part No	Qty	Description	Notes
1	HV350828	1	HYDRAULIC VALVE	
2	SK351714	1	SEAL KIT	
3	HF4060-12-12	1	FITTING - #12 BSP MALE X #12 ORFS MALE	
4	BSP12	1	BONDED SEAL - #12 (3/4")	
5	R24327C	1	O-RING - #12 ORFS	
6	HV350833	1	CARTRIDGE VALVE	
7	SK351717	1	SEAL KIT	
8	HF4050-4-4	1	FITTING - #4 BSP MALE X #4 BSP FEMALE SOLID	
9	BSP4	1	BONDED SEAL - #4 (1/4")	
10	HF2040-4-4	2	FITTING - #4 JIC MALE X #4 BSPP MALE	
11	HF14TP	1	TEST PORT 1/4" BSP	
12	ED4	1	SPECIAL BSPP SEAL #4	
13	HF41-4	1	FITTING - ROUND PLUG #4 BSP SEAL	
14	PK816231C	1	PLUG KIT	
15	HF2040-6-6	1	FITTING - #6 JIC MALE #6 BSP MALE	
16	BSP6	1	BONDED SEAL - #6 (3/8")	

*All manufacturers names, numbers, marks, trademarks and symbols and descriptions are used for reference purposes only. Use of parts not supplied from the original manufacturer on machines under manufacturer warranty could potentially void your manufacturer warranty. Machined parts are built by Axis, not the original manufacturer.

623C Upper Delimb Manifold



*All manufacturers names, numbers, marks, trademarks and symbols and descriptions are used for reference purposes only. Use of parts not supplied from the original manufacturer on machines under manufacturer warranty could potentially void your manufacturer warranty. Machined parts are built by Axis, not the original manufacturer.

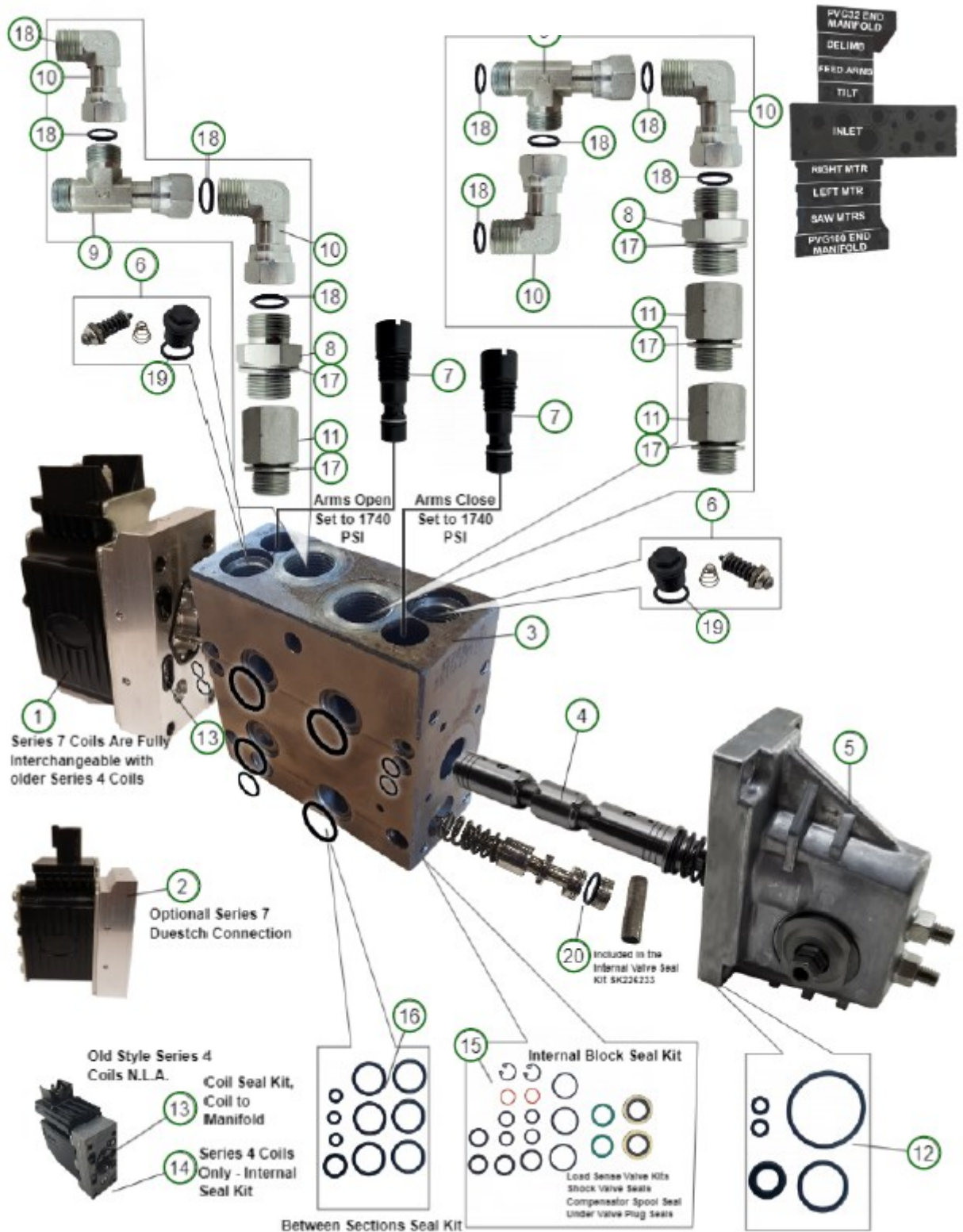
623C Upper Delimb Manifold

No.	Axis Part No	Qty	Description	Notes
1	HC224333	1	NEW STYLE PVG 32 PROPORTIONAL COIL	HIRSCHMANN CONNECTOR (SQUARE)
2	HC224394	1	NEW STYLE PVG 32 PROP COIL WITH DEUTSCH CONNECTOR	
3	HV226243	1	NEW STYLE PVG 32 VALVE BLOCK	DUESTCH CONNECTOR
4	HV299550	1	SPOOL	
5	HC233173	1	MANUAL ACTUATOR	
6	HV292150	1	SHOCK VALVE - 150 BAR	
7	HV292210	1	SHOCK VALVE - 210 BAR	
8	HV290905	1	LOAD SENSE VALVE	
9	BSP8	3	BONDED SEAL - #8 (1/2")	
10	HF4060-8-8-3	1	FITTING - BSP 1/2" TO ORFS 1/2" 3MM ORIFICE	
11	HF4050-8-8	1	FITTING - #8 BSP MALE X #8 BSP FEMALE SOLID	
12	R24323C	1	O-RING - #8 ORFS	
13	HF4060-8-8	1	FITTING - #8 BSP MALE X #8 ORFS MALE	
14	SK224033B	1	SEAL KIT - ON/OFF & PROPORTIONAL VALVES INTERNAL	
15	SK224033	1	SEAL KIT - ON/OFF & PROPORTIONAL VALVES	
16	SK223173	1	SEAL KIT - MANUAL ACTUATOR	
17	SK228999	1	SEAL KIT - BETWEEN 1 SECTION	
18	SK226233	1	SEAL KIT - VALVE BLOCK PVG 32	
19	T235395C	2	O-RING	
20	T264367C	1	O-RING--FITS PVG32 COMPENSATOR SPOOL	

*All manufacturers names, numbers, marks, trademarks and symbols and descriptions are used for reference purposes only. Use of parts not supplied from the original manufacturer on machines under manufacturer warranty could potentially void your manufacturer warranty. Machined parts are built by Axis, not the original manufacturer.

623C Feed Arms Manifold

HTH623C: Feed Arm Manifold



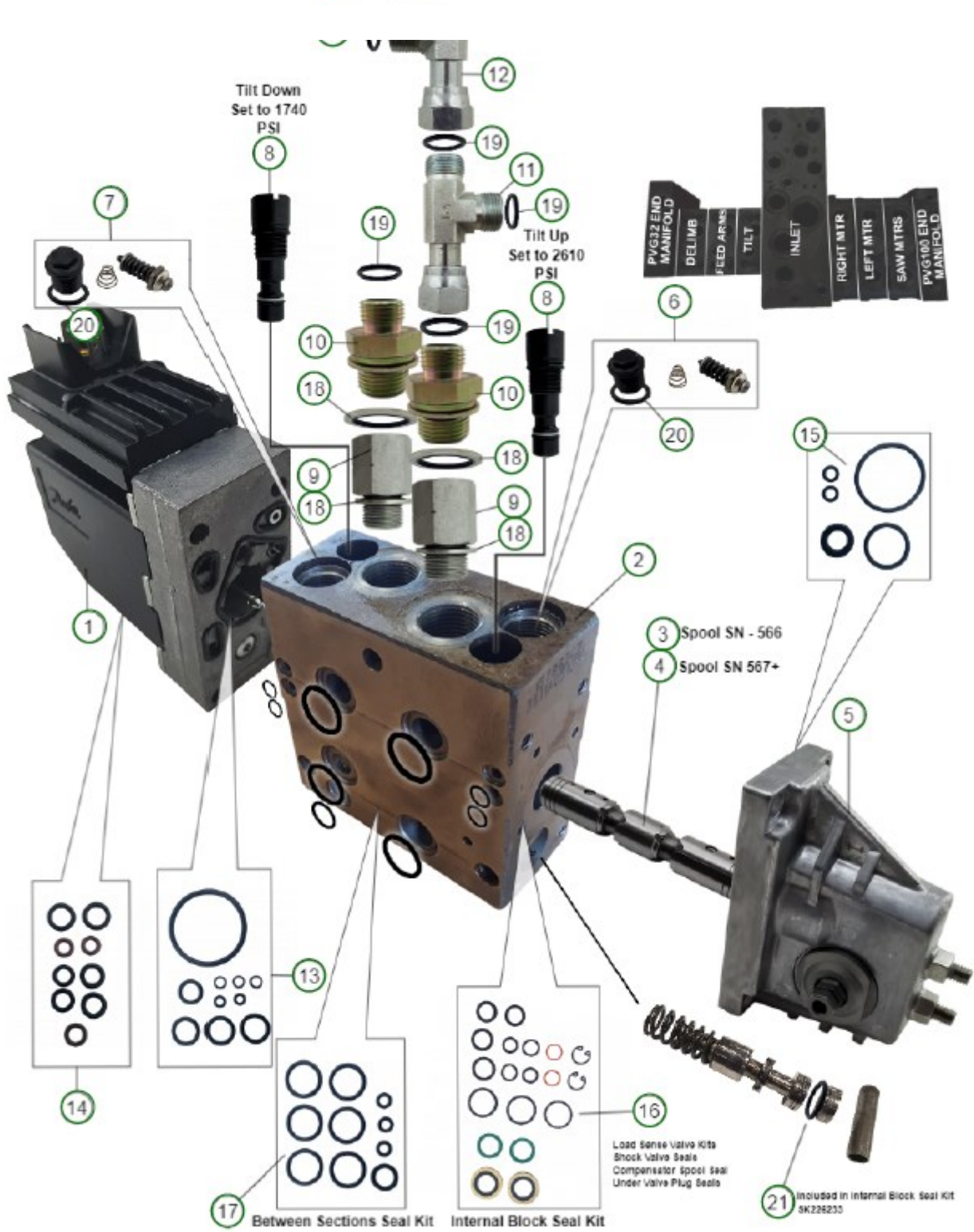
*All manufacturers names, numbers, marks, trademarks and symbols and descriptions are used for reference purposes only. Use of parts not supplied from the original manufacturer on machines under manufacturer warranty could potentially void your manufacturer warranty. Machined parts are built by Axis, not the original manufacturer.

623C Feed Arms Manifold

No.	Axis Part No	Qty	Description	Notes
1	HC224333	1	NEW STYLE PVG32 PROPORTIONL COIL	HIRSCHMANN CONNECTOR (SQUARE)
2	HC224394	1	NEW STYLE PVG32 PROP COIL WITH DEUTSCH CONNECTOR	DUESTCH CONNECTOR
3	HC226243	1	NEW STYLE PVG32 VALVE BLOCK	
4	HV299550	1	SPOOL	
5	HC223173	1	MANUAL ACTUATOR	
6	HV292150	1	SHOCK VALVE - 150 BAR	
7	HV290905	2	LOAD SENSE VALVE	
8	HF4060-8-8	2	FITTING - #8 BSP MALE X #8 ORFS MALE	
9	HF606070-8-8-8	2	FITTING-TEE ORFS #8 M/M/F	
10	HF7969-8-8	4	FITTING - #8 ORFS MALE X #8 ORFS FEMALE 90 DEGREE	
11	HF4050-8-8	1	FITTING - #8 BSP MALE X #8 BSP FEMALE SOLID	
12	SK223173	1	SEAL KIT - MANUAL ACTUATOR	
13	SK224033	1	SEAL KIT - ON/OFF & PROPORTIONAL VALVE	
14	SK224033B	1	SEAL KIT - ON/OFF & PROP VALVES INTERNAL	
15	SK226233	1	SEAL KIT - VALVE BLOCK PVG32	
16	SK228999	1	SEAL KIT-BETWEEN 1 SECTION	
17	BSP8	1	BONDED SEAL - #8 (1/2")	
18	R24323C	1	O-RING - #8 ORFS	
19	T235395C	2	O-RING	
20	T264367C	1	O-RING - FITS PVG32 COMPENSATOR SPOOL	

*All manufacturers names, numbers, marks, trademarks and symbols and descriptions are used for reference purposes only. Use of parts not supplied from the original manufacturer on machines under manufacturer warranty could potentially void your manufacturer warranty. Machined parts are built by Axis, not the original manufacturer.

623C Tilt Manifold



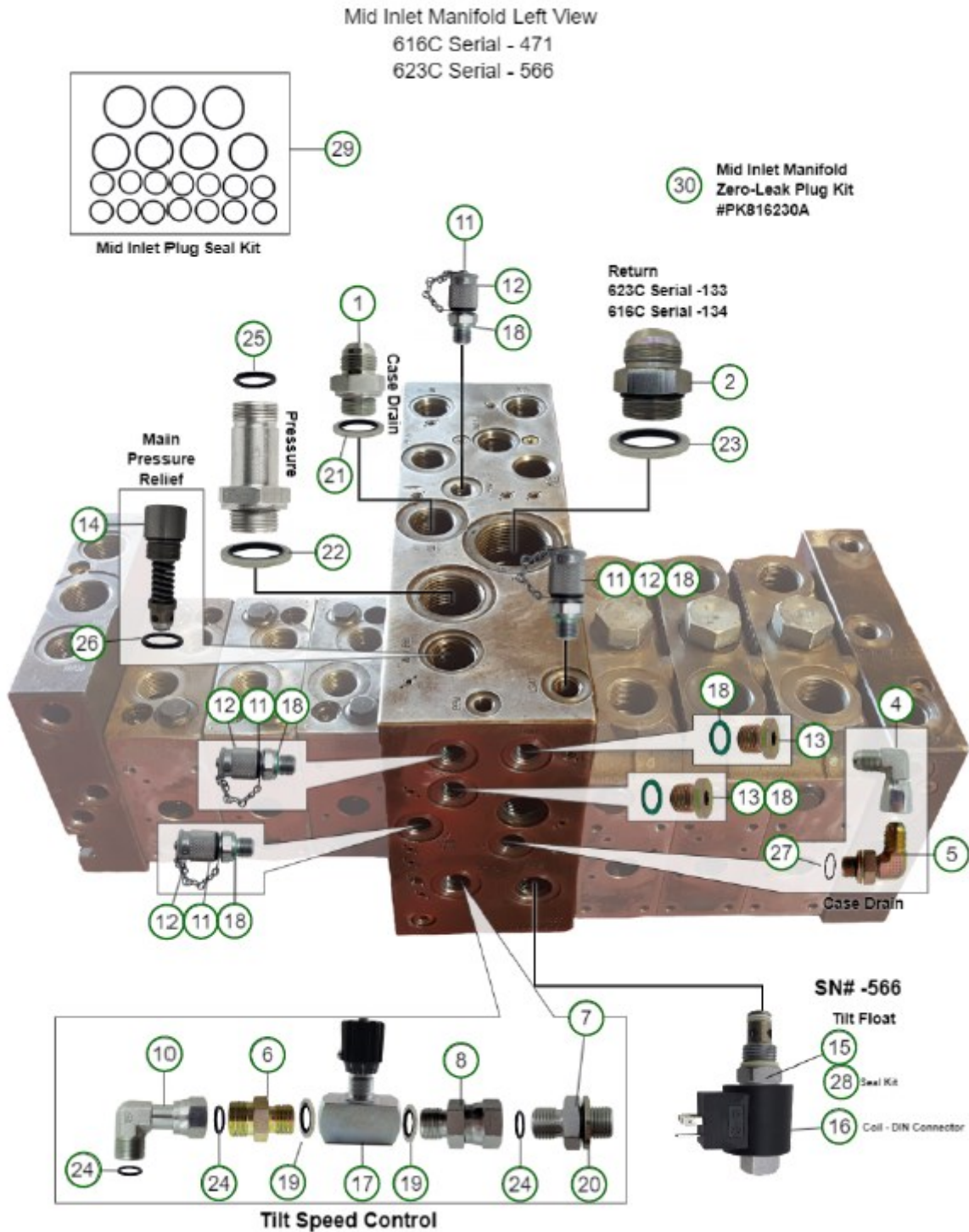
*All manufacturers names, numbers, marks, trademarks and symbols and descriptions are used for reference purposes only. Use of parts not supplied from the original manufacturer on machines under manufacturer warranty could potentially void your manufacturer warranty. Machined parts are built by Axis, not the original manufacturer.

623C Tilt Manifold

No.	Axis Part No	Qty	Description	Notes
1	HC224328	1	NEW STYLE SERIES 7 ON/OFF COIL	HIRSCHMANN CONNECTOR (SQUARE)
1A	HC224392	1	NEW STYLE SERIES 7 ON/OFF COIL DEUSTCH	DUESTCH CONNECTOR
2	HC226243	1	NEW STYLE PVG 32 VALVE BLOCK	
3	HV297521	1	SPOOL	
4	HV297600	1	SPOOL	
5	HC223173	1	MANUAL ACTUATOR	
6	HV292210	1	SHOCK VALVE - 210 BAR	
7	HV292150	1	SHOCK VALVE - 150 BAR	
8	HV290905	2	LOAD SENSE VALVE	
9	HF4050-8-8	2	FITTING - #8 BSP MALE X #8 BSP FEMALE SOLID	
10	HF4060-8-6	2	FITTING - #8 BSP MLE X #6 ORFS MALE	
11	HF606070-6-6-6	1	FITTING - TEE ORFS #6 M/M/F	
12	HF7969-6-6	1	FITTING - ELBOW ORFS #6 M/F	
13	SK224033	1	SEAL KIT - ON/OFF & PROPORTIONAL VALVE	
14	SK224033B	1	SEAL KIT - ON/OFF & PROP VALVES INTERNAL	
15	SK223173	1	SEAL KIT - MANUAL ACTUATOR	
16	SK226233	1	SEAL KIT - VALVE BLOCK	
17	SK228999	1	SEAL KIT - BETWEEN 1 SECTION	
18	BSP8	4	BONDED SEAL - #8 (1/2")	
19	R24321C	5	O-RING - #6 ORFS	
20	T235395C	2	O-RING	
21	T264367C	1	O-RING - FITS PVG32 COMPENSATOR SPOOL	

*All manufacturers names, numbers, marks, trademarks and symbols and descriptions are used for reference purposes only.
Use of parts not supplied from the original manufacturer on machines under manufacturer warranty could potentially void your
manufacturer warranty. Machined parts are built by Axis, not the original manufacturer.

623C Inlet Manifold Left View. Up to Serial 566



*All manufacturers names, numbers, marks, trademarks and symbols and descriptions are used for reference purposes only. Use of parts not supplied from the original manufacturer on machines under manufacturer warranty could potentially void your manufacturer warranty. Machined parts are built by Axis, not the original manufacturer.

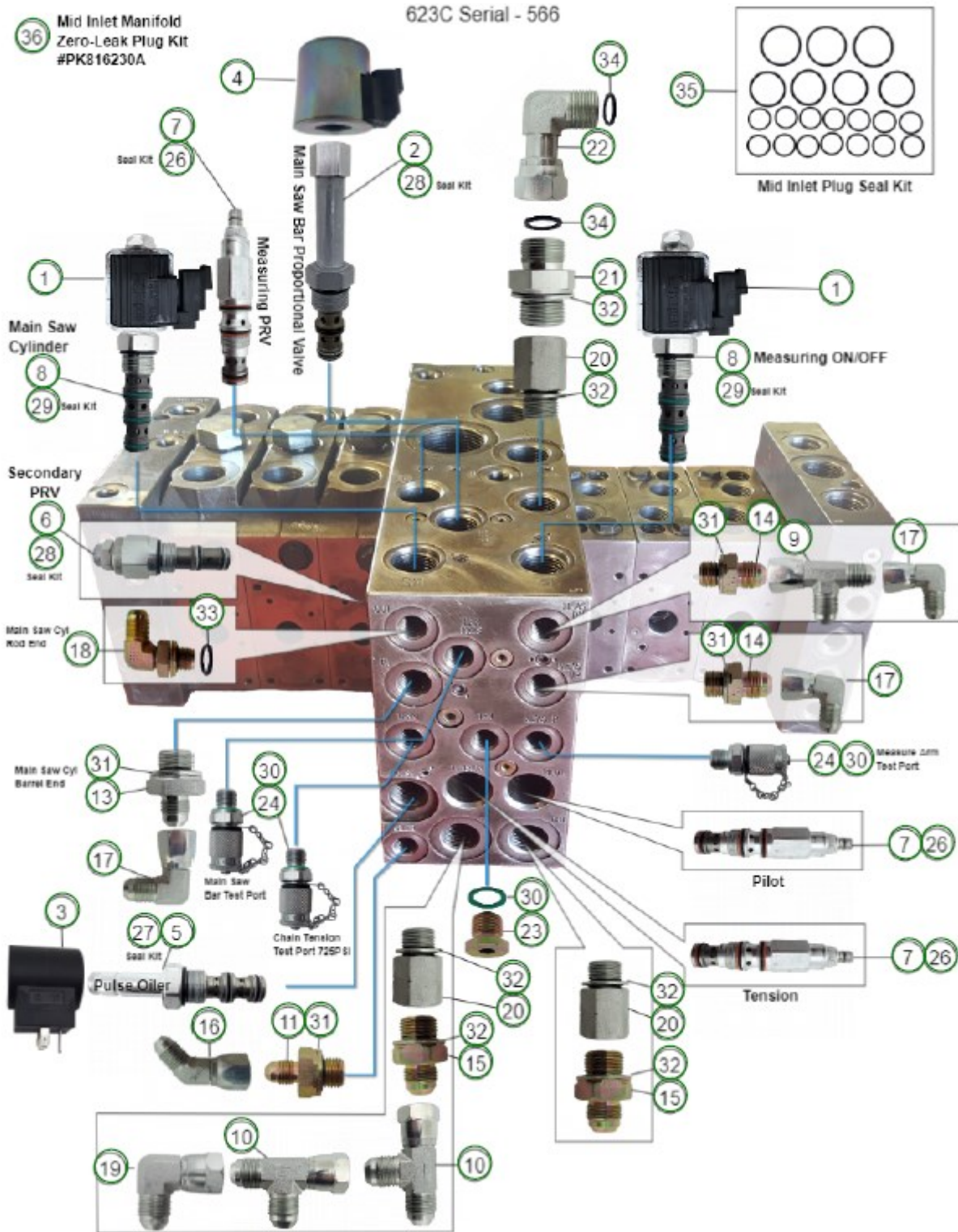
623C Inlet Manifold Left View. Up to Serial 566

No.	Axis Part No	Qty	Description	Notes
1	HF2040-12-12	2	FITTING - #12 JIC MALE X #12 BSPP MALE	
2	HF2040-20-20	1	FITTING - #20 JIC MALE X #20 BSPP MALE	
3	HF2040-6-6	1	FITTING - #6 JIC MALE X #6 BSPP MALE	
4	HF2939-6-6	1	FITTING - #6 JIC MALE X #6 JIC FEMALE 90	
5	HF2949-6-4	1	FITTING - #6 JIC X #4 MBSP 90 DEGREE	
6	HF4060-4-6	1	FITTING - #4 BSPP MALE X #6 ORFS MALE	
7	HF4060-6-6-3	1	FITTING - BSP 3/8" TO ORFS 3/8", 3MM ORIFICE	
8	HF4070-4-6	1	FITTING - #4 BSPP MLE X #6 ORFS FEMALE	
9	HF4070-6-6	1	FITTING - #6 BSPP MALE X #6 ORFS FEMALE	
10	HF7969-6-6	1	FITTING - ELBOW ORFS #6 M/F	
11	HF14TP	1	TEST PORT 1/4" BSP	
12	HF14TPC	1	TEST PORT CAP	
13	HF41-4	1	FITTING - ROUND PLUS #4 BSP SEAL	
14	HV350889	1	RELIEF VALVE - 80 BAR	
15	HV351037	1	CARTRIDGE VALVE	
16	HV356306	1	COIL	
17	HV995004	1	THROTTLE VALVE BSP 1/4" FEMALE	
18	ED4	1	CONICAL BSPP SEAL #4	
19	BSP4	1	BONDED SEAL - #4 (1/4")	
20	BSP6	1	BONDED SEAL - #6 (3/8")	
21	BSP12	1	BONDED SEAL - #12 (3/4")	
22	BSP16	1	BONDED SEAL - #16 (1")	
23	BSP20	1	BONDED SEAL- #20 (1-1/4")	
24	R24321C	1	O-RING - #6 ORFS	
25	R24330C	1	O-RING - #16 ORFS	
26	R24329C	1	O-RING	
27	R24420C	1	O-RING	
28	SK351714	1	SEAL KIT	
29	SK816230	1	ZERO -LEAK PLUG O-RING KIT	
30	PK816230A	1	ZERO-LEAK PLUG KIT	

*All manufacturers names, numbers, marks, trademarks and symbols and descriptions are used for reference purposes only. Use of parts not supplied from the original manufacturer on machines under manufacturer warranty could potentially void your manufacturer warranty. Machined parts are built by Axis, not the original manufacturer.

623C Inlet Manifold Right View. Up to Serial 566

Mid Inlet Manifold Right View



*All manufacturers names, numbers, marks, trademarks and symbols and descriptions are used for reference purposes only. Use of parts not supplied from the original manufacturer on machines under manufacturer warranty could potentially void your manufacturer warranty. Machined parts are built by Axis, not the original manufacturer.

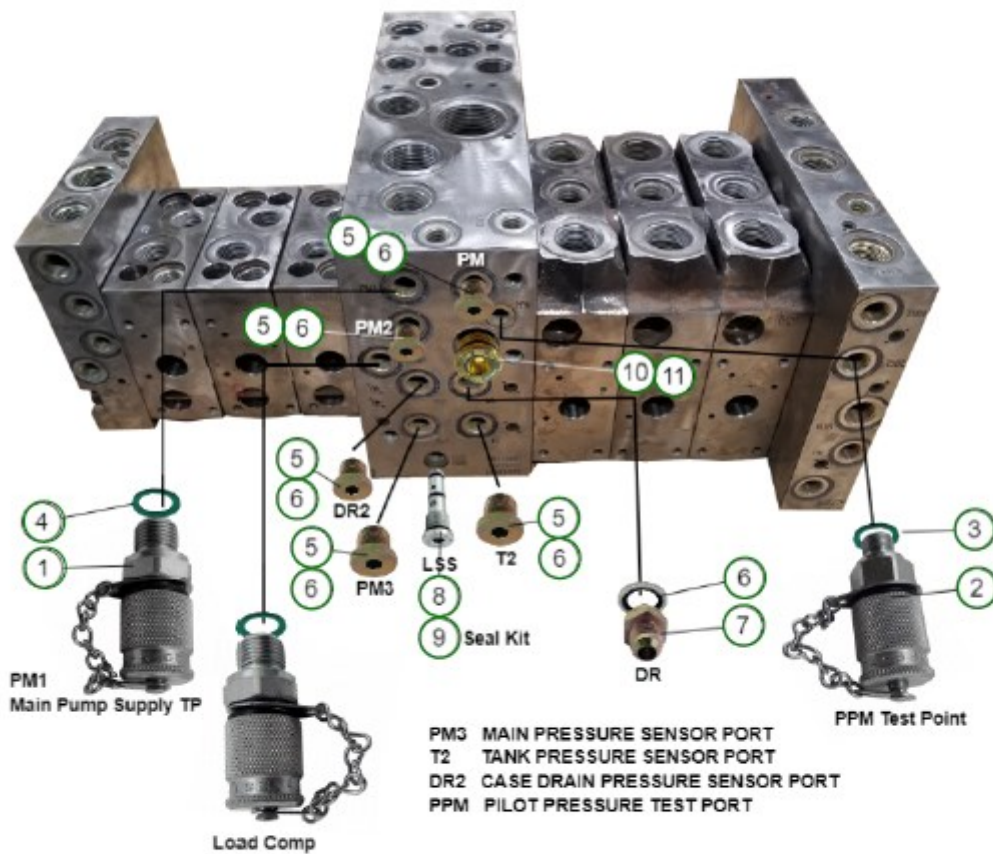
623C Inlet Manifold Right View. Up to Serial 566

No.	Axis Part No	Qty	Description	Notes
1	HV350026	2	COIL	
2	HV351036	1	CARTRIDGE VALVE	
3	HV356306	1	COIL	
4	HV356355	1	SAW PROP COIL, DEUTSCH CONNECTOR	
5	HV350831	1	CARTIDGE VALVE	
6	HV350846	1	PRESSURE REDUCING VALVE	
7	HV350792	3	CARTRIDGE VALVE	
8	HV350885	2	VALVE	
9	HF202030-6-6-6	1	FITTING - RUN TEE #6 JIC M/M/F	
10	HF202030-8-8-8	1	FITTING - TEE #8 JIC M/M/F	
11	HF2040-4-4	1	FITTING - #4 JIC MALE X #4 BSPP MALE	
12	HF2040-4-6	1	FITTING - #4 JIC MALE X #6 BSPP MALE	
13	HF2040-6-6	3	FITTING - #6 JIC MALE X #6 BSPP MALE	
14	HF2040-6-4	1	FITTING - #6 JIC MALE X #4 BSPP MALE	
15	HF2040-8-8	1	FITTING - #8 JIC MALE X #8 BSPP MALE	
16	HF2535-4-4	1	FITTING - #4 JIC MALE TO #4 JIC FEMALE 45	
17	HF2939-6-6	3	FITTING - #6 JIC MALE X #6 JIC FEMALE 90	
18	HF2949-6-4	1	FITTING - #6 JIC X #4 MBSP 90	
19	HF2939-8-8	1	FITTING - #8 JIC MLE X #8 JIC FEMALE 90	
20	HF4050-8-8	3	FITTING - #8 BSPP MALE X #8 BSP FEMALE SOLID	
21	HF4060-8-8	1	FITTING - #8 BSPP MALE X #8 ORFS MALE	
22	HF7969-8-8	1	FITTING - #8 ORFS MALE X #8 ORFS FEMALE 90	
23	HF41-4	1	FITTING - ROUND PLUG #4 BSP SEAL	
24	HF14TP	3	TEST PORT 1/4" BSP	
25	HF14TPC	3	TEST PORT CAP	
26	SK350792	3	SEAL KIT - FITS HV350792	
27	SK351715	1	SEAL KIT	
28	SK351716	1	SEAL KIT	
29	SK351717	1	SEAL KIT - FITS HV350885	
30	ED4	4	SPECIL BSPP SEAL #4	
31	BSP6	3	BONDED SEAL - #6 (3/8")	
32	BSP8	4	BONDED SEAL - #8 (1/2")	
33	T192457C	1	O-RING	
34	R24323C	2	O-RING - #8 ORFS	
35	SK816230	1	ZERO-LEAK PLUGS O-RING KIT	
36	PK816230A	1	PLUG KIT	

*All manufacturers names, numbers, marks, trademarks and symbols and descriptions are used for reference purposes only. Use of parts not supplied from the original manufacturer on machines under manufacturer warranty could potentially void your manufacturer warranty. Machined parts are built by Axis, not the original manufacturer.

623C Inlet Manifold Left View. Serial 567 and up

Mid Inlet Manifold Left View Second Design
616C Serial 472+
623C Serial 567+



*All manufacturers names, numbers, marks, trademarks and symbols and descriptions are used for reference purposes only. Use of parts not supplied from the original manufacturer on machines under manufacturer warranty could potentially void your manufacturer warranty. Machined parts are built by Axis, not the original manufacturer.

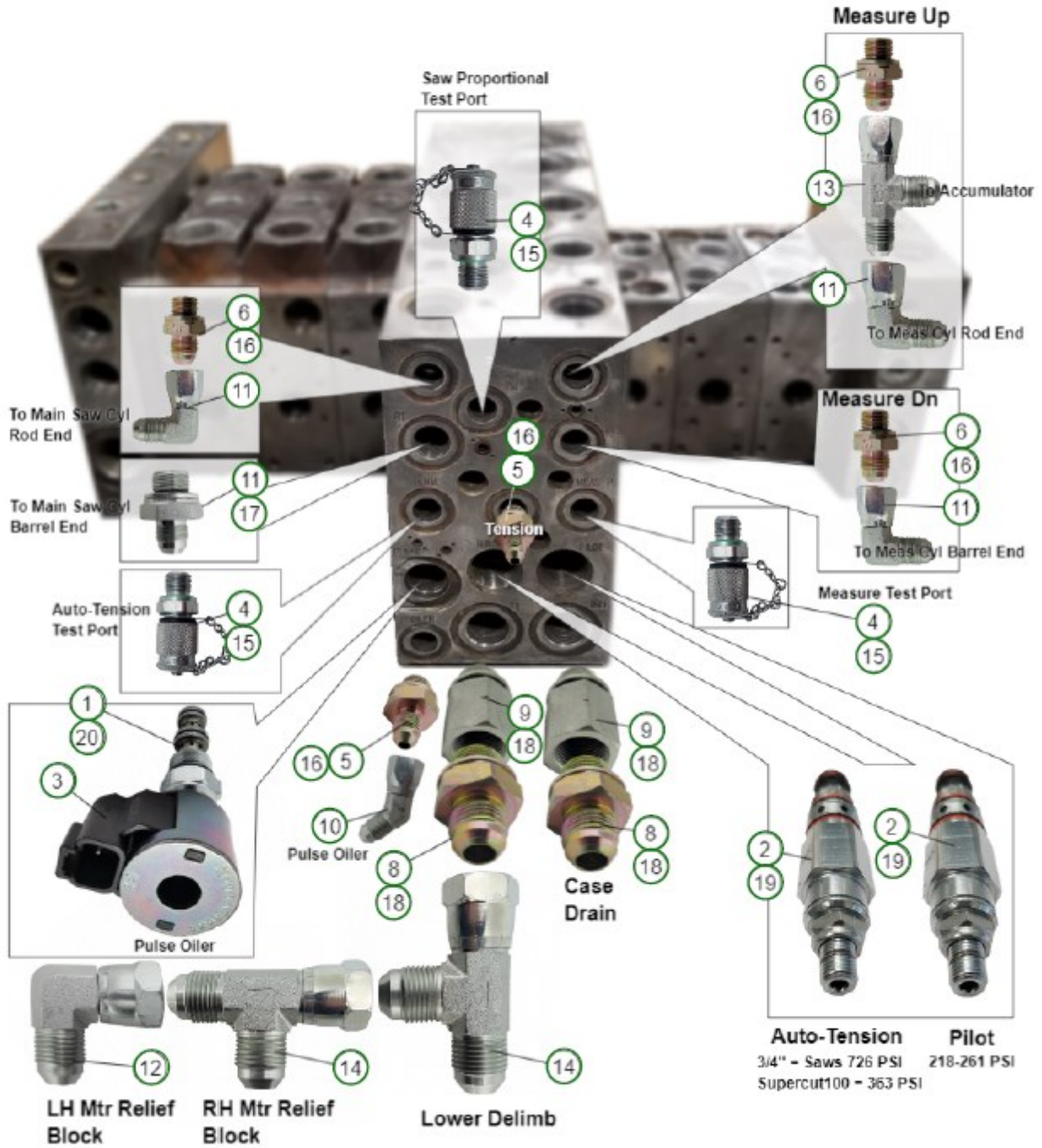
623C Inlet Manifold Left View. Serial 567 and up

No.	Axis Part No	Qty	Description	Notes
1	HF14TP	1	TEST PORT 1/4" BSP	
2	HF18TP	1	TESTR PORT 1/8" BSP	
3	ED2	1	SPECIAL BSPP SEAL #2	
4	ED4	1	SPECIAL BSPP SEAL #4	
5	HF41-4	1	FITTING - ROUND PLUG #4 BSP SEAL	
6	BSP4	7	BONDED SEAL - #4 (1/4")	
7	HF2040-6-4	1	FITTING - #6 JIC MALE X #4 BSPP MALE	
8	HV350824	1	SHUTTLE VALVE	
9	SK350824	1	SEAL KIT - FITS HV350824	
10	HF81-10	1	ZERO-LEAK PORT PLUG	
11	T259417A	1	O-RING - FITS HF81-10	

*All manufacturers names, numbers, marks, trademarks and symbols and descriptions are used for reference purposes only. Use of parts not supplied from the original manufacturer on machines under manufacturer warranty could potentially void your manufacturer warranty. Machined parts are built by Axis, not the original manufacturer.

623C Inlet Manifold Right View. Serial 567 and up

Mid Inlet Manifold Second Design Right View
616C Serial 472+
623C Serial 567+



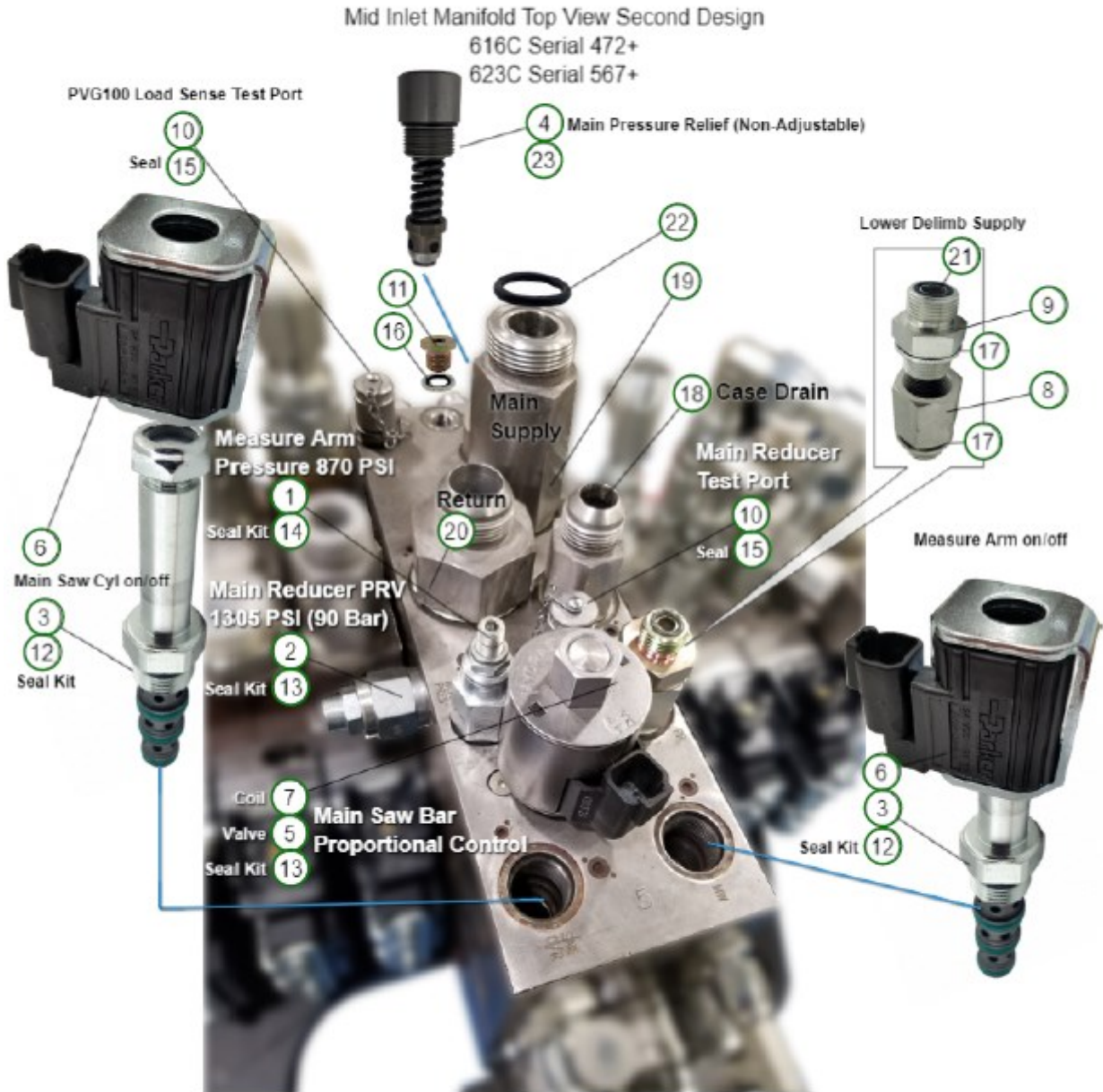
*All manufacturers names, numbers, marks, trademarks and symbols and descriptions are used for reference purposes only. Use of parts not supplied from the original manufacturer on machines under manufacturer warranty could potentially void your manufacturer warranty. Machined parts are built by Axis, not the original manufacturer.

623C Inlet Manifold Right View. Serial 567 and up

No.	Axis Part No	Qty	Description	Notes
1	HV350831	1	CARTRIDGE	
2	HV350789	2	CARTRIDGE VALVE	
3	HV356307	1	COIL, DEUTSCH CONNECTOR	
4	HF14TP	3	TEST POR 1/4" BSP	
5	HF2040-4-4	2	FITTING - #4 JIC MALE X #4 BSP MALE	
6	HF2040-6-6	3	FITTING - #6 JIC MALE X #4 BSP MALE	
7	HF2040-6-6	1	FITTING - #6 JIC MALE X #6 BSP MALE	
8	HF2040-8-8	2	FITTING - #8 JIC MALE X #8 BSP MALE	
9	HF4050-8-8	2	FITTING - #8 BSP MALE X #8 BSP FEMALE SOLID	
10	HF2535-4-4	1	FITTING - #4 JIC MALE TO #4 JIC FEMALE 45	
11	HF2939-6-6	3	FITTING-#6 JIC MALE X #6 JIC FEMALE 90	
12	HF2939-8-8	1	FITTING - #8 JIC MALE X #8 JIC FEMALE 90	
13	HF202030-6-6-6	1	FITTING - TEE #6 JIC M/M/F	
14	HF202030-8-8-8	2	FITTING - TEE #8 JIC M/M/F	
15	ED4	3	SPECIAL BSP SEAL #4	
16	BSP4	4	BONDED SEAL - #4 (1/4")	
17	BSP6	1	BONDED SEAL - #6 (3/8")	
18	BSP8	4	BONDED SEAL - #8 (1/2")	
19	SK350792	2	SEAL KIT - FITS HV350792	
20	SK351715	1	SEAL KIT	

*All manufacturers names, numbers, marks, trademarks and symbols and descriptions are used for reference purposes only. Use of parts not supplied from the original manufacturer on machines under manufacturer warranty could potentially void your

623C Inlet Manifold Top View. Serial 567 and up



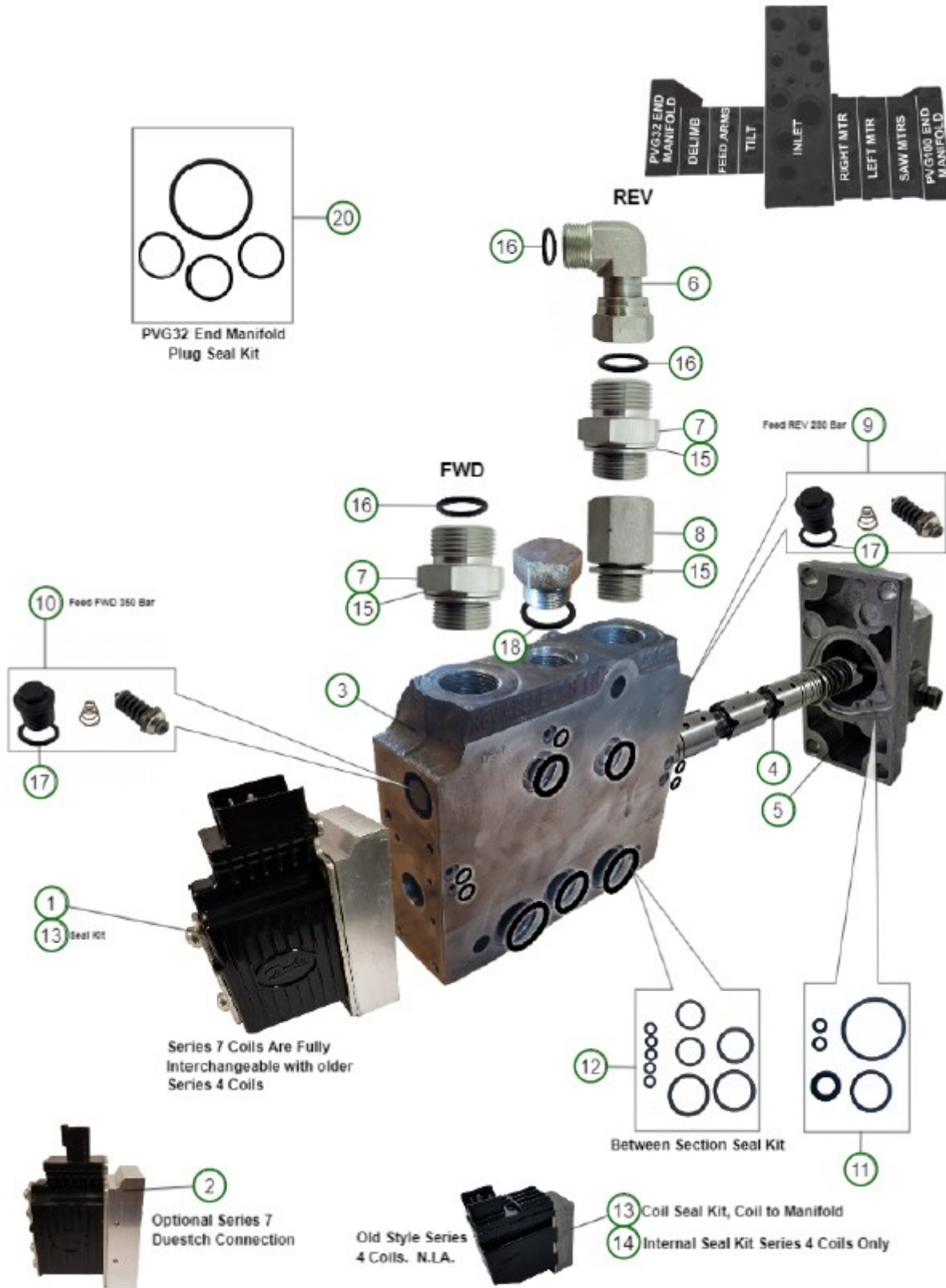
*All manufacturers names, numbers, marks, trademarks and symbols and descriptions are used for reference purposes only. Use of parts not supplied from the original manufacturer on machines under manufacturer warranty could potentially void your manufacturer warranty. Machined parts are built by Axis, not the original manufacturer.

623C Inlet Manifold Top View. Serial 567 and up

No.	Axis Part No	Qty	Description	Notes
1	HV350792	1	CARTRIDGE VALVE	
2	HV350846	1	PRESSURE REDUCING VALVE	
3	HV350885	2	VALVE	
4	HV350889	1	RELIEF VALVE	
5	HV351036	1	CARTRIDGE VALVE	
6	HV350026	2	COIL	
7	HV356355	1	SAW PROPORTIONL COIL	
8	HV4050-8-8	1	FITTING - #8 BSP MALE X #8 BSP FEMALE SOLID	
9	HF4060-8-8	1	FITTING - #8 BSP MALE X #8 ORFS MALE	
10	HF14TP	1	TEST PORT 1/4" BSP	
11	HF41-4	1	FITTING - ROUND PLUG #4 BSP SEAL	
12	SK351717	2	SEAL KIT-FITS HV350885	
13	SK351716	1	SEAL KIT	
14	SK350792	1	SEAL KIT - FITS HV350792	
15	ED4	1	SPECIAL BSPP SEAL #4	
16	BSP4	1	BONDED SEAL - #4 (1/4")	
17	BSP8	1	BONDED SEAL - #8 (1/2")	
18	BSP12	1	BONDED SEAL - #12 (3/4")	
19	BSP16	1	BONDED SEAL - #16 (1")	
20	BSP20	1	BONDED SEAL - #20 (1-1/4")	
21	R24323C	1	O-RING - #8 ORFS	
22	R24330C	1	O-RING	

*All manufacturers names, numbers, marks, trademarks and symbols and descriptions are used for reference purposes only. Use of parts not supplied from the original manufacturer on machines under manufacturer warranty could potentially void your manufacturer warranty. Machined parts are built by Axis, not the original manufacturer.

623C Right Feed Motor Manifold

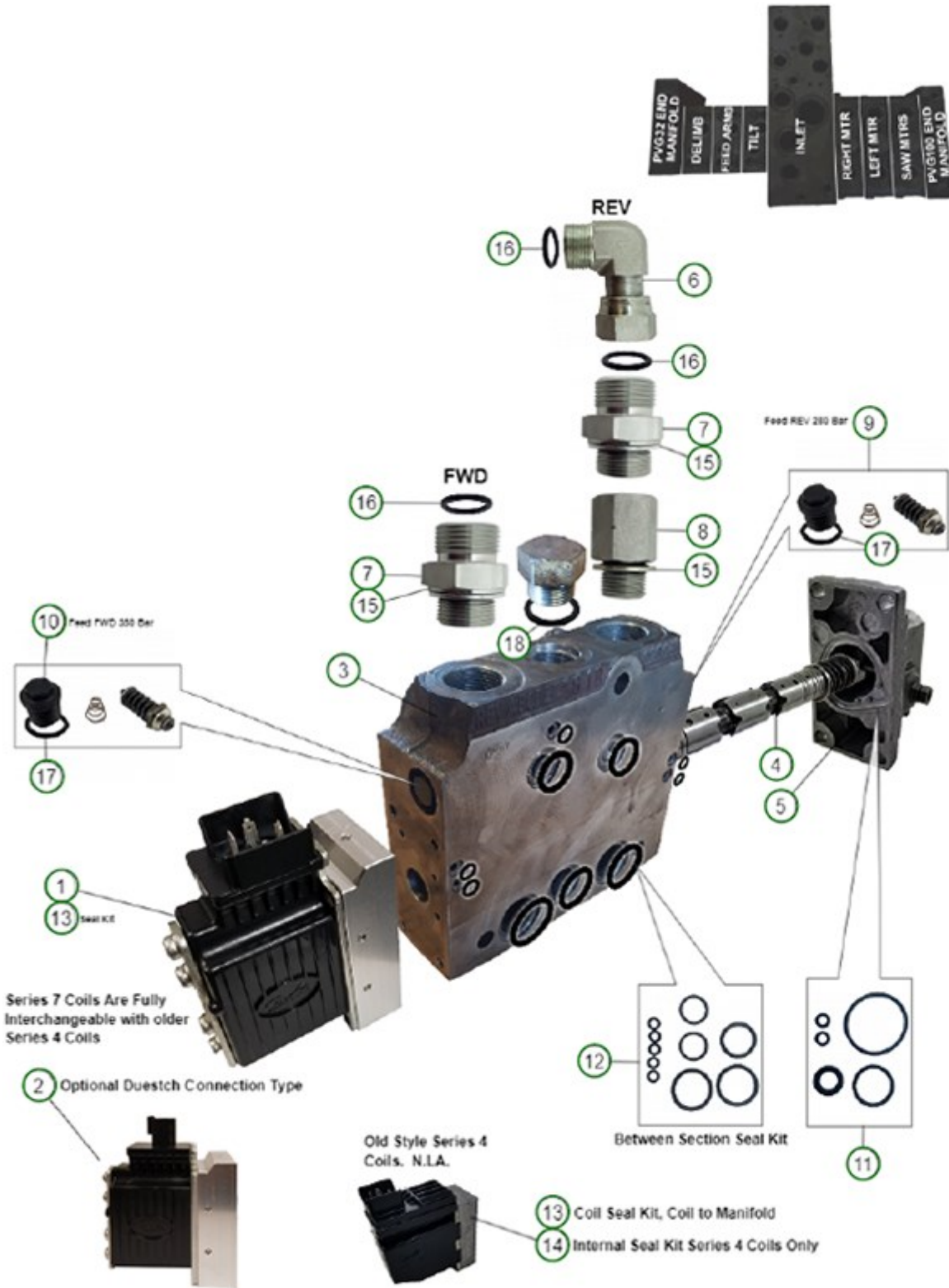


*All manufacturers names, numbers, marks, trademarks and symbols and descriptions are used for reference purposes only. Use of parts not supplied from the original manufacturer on machines under manufacturer warranty could potentially void your manufacturer warranty. Machined parts are built by Axis, not the original manufacturer.

623C Right Feed Motor Manifold

No.	Axis Part No	Qty	Description	Notes
1	HC224333	1	NEW STYLE PVG32 PROPORTIONAL COIL	HIRSCMANN CONNECTOR (SQUARE)
2	HC224394	1	NEW STYLE PVG32 PROP COIL W/ DEUTSCH CONNECTORS	DEUSTCH CONNECTOR
3	HV226660	1	DANFOSS PVG100 MANIFOLD	
4	HV297027	1	SPOOL	
5	HC223173	1	MANUAL ACTUATOR	
6	HF7969-12-12	1	FITTING - #12 ORFS FEMALE X #12 ORFS MALE 90 DEGREE	
7	HF4060-12-12	1	FITTING - #12 BSP MALE X #12 ORFS MALE	
8	HF4050-12-12	1	FITTING - #12 BSP MALE X #12 BSP FEMALE SOLID	
9	HV292280	1	SHOCK VALVE - 280 BAR	
10	HV292350	1	SHOCK VALVE - 350 BAR	
11	SK223173	1	SEAL KIT - MANUAL ACTUATOR	
12	SK228179	1	SEAL KIT - BETWEEN 1 SECTION	
13	SK224033	1	SEAL KIT - ON/OFF & PROP VALVE	
14	SK224033B	1	SEAL KIT - ON/OFF & PROP VALVES INTERNAL	
15	BSP12	1	BONDED SEAL - #12 (3/4")	
16	R24327C	1	O-RING - #12 ORFS	
17	T235395A	1	O-RING	
18	ORB3-910	1	O-RING	
19				
20	SK816231	1	ZERO-LEAK PLUGS O-RING KIT	
<p>*All manufacturers names, numbers, marks, trademarks and symbols and descriptions are used for reference purposes only. Use of parts not supplied from the original manufacturer on machines under manufacturer warranty could potentially void your manufacturer warranty. Machined parts are built by Axis, not the original manufacturer.</p>				

623C Left Feed Motor Manifold



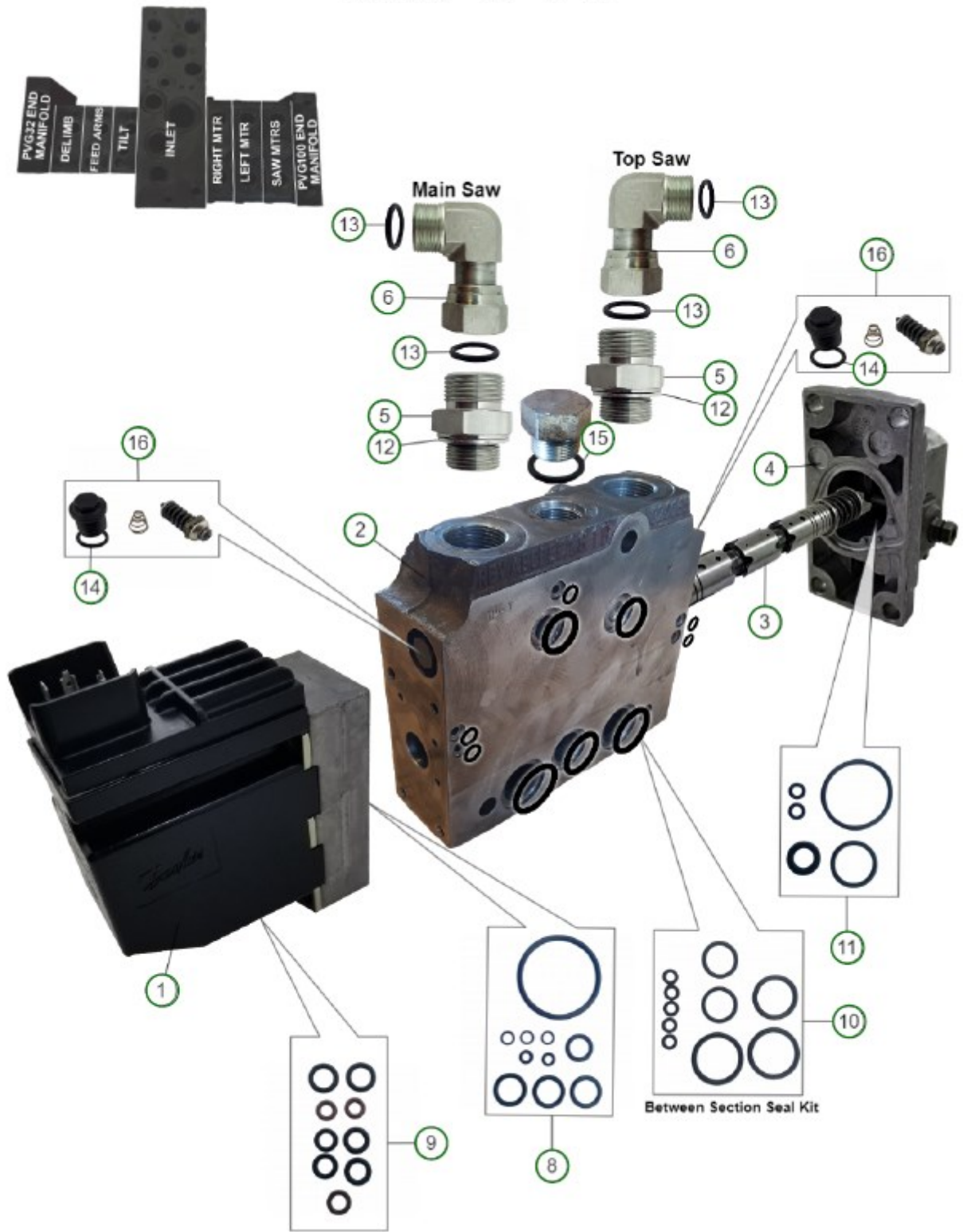
*All manufacturers names, numbers, marks, trademarks and symbols and descriptions are used for reference purposes only. Use of parts not supplied from the original manufacturer on machines under manufacturer warranty could potentially void your manufacturer warranty. Machined parts are built by Axis, not the original manufacturer.

623C Left Feed Motor Manifold

No.	Axis Part No	Qty	Description	Notes
1	HC224333	1	NEW STYLE PVG32 PROPORTIONAL COIL	HIRSCMANN CONNECTOR (SQUARE)
2	HC224394	1	NEW STYLE PVG32 PROP COIL WITH DEUTSCH CONNECTOR	DEUSTCH CONNECTOR
3	HV226660	1	DANFOSS PVG100 MANIFOLD	
4	HV297027	1	SPOOL	
5	HC223173	1	MANUAL ACTUATOR	
6	HF7969-12-12	1	FITTING - #12 ORFS FEMLE X #12 ORFS MALE 90	
7	HF4060-12-12	1	FITTING - #12 BSP MALE X #12 ORFS MALE	
8	HF4050-12-12	1	FITTING - #12 BSP MALE X #12 BSP FEMALE	
9	HV292280	1	SHOCK VALVE - 280 BAR	
10	HV292350	1	SHOCK VALVE - 350 BAR	
11	SK223173	1	SEAL KIT - MANUAL ACTUATOR	
12	SK228179	1	SEAL KIT - BETWEEN SECTION	
13	SK224033	1	SEAL KIT - ON/OFF & PROP VALVE	
14	SK224033B	1	SEAL KIT - ON/OFF & PROP VALVES INTERNAL	
15	BSP12	1	BONDED SEAL - #12 (3/4")	
16	R24327C	1	O-RING - #12 ORFS	
17	T235395A	1	O-RING	

*All manufacturers names, numbers, marks, trademarks and symbols and descriptions are used for reference purposes only. Use of parts not supplied from the original manufacturer on machines under manufacturer warranty could potentially void your manufacturer warranty. Machined parts are built by Axis, not the original manufacturer.

623C Saw Motors Manifold



*All manufacturers names, numbers, marks, trademarks and symbols and descriptions are used for reference purposes only. Use of parts not supplied from the original manufacturer on machines under manufacturer warranty could potentially void your manufacturer warranty. Machined parts are built by Axis, not the original manufacturer.

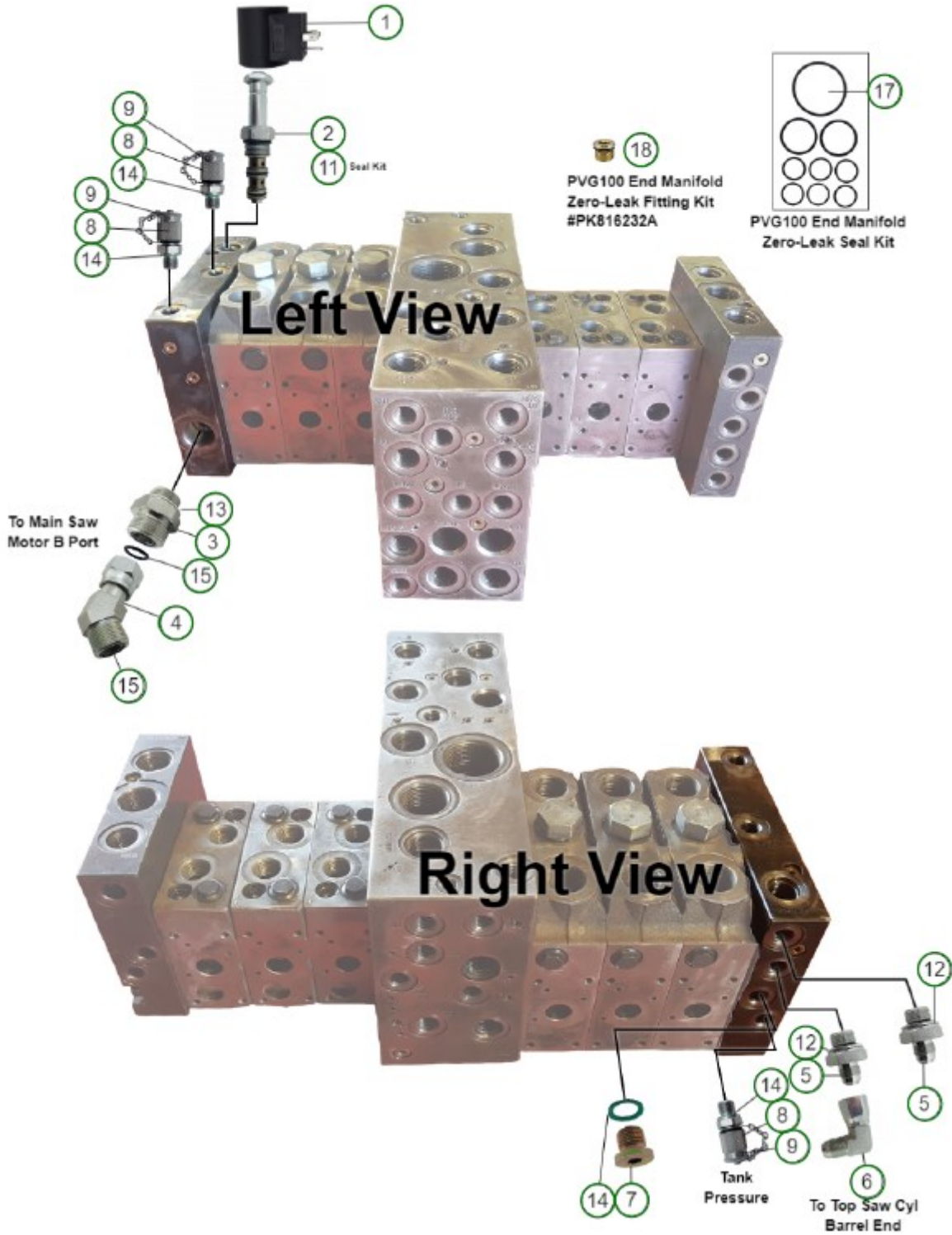
623C Saw Motors Manifold

No.	Axis Part No	Qty	Description	Notes
1	HC224228	1	NEW STYLE SERIES 7 ON/OFF COIL	HIRSCMANN CONNECTOR (SQUARE)
1A	HV224292	1	NEW STYLE SERIES 7 ON/OFF COIL DEUSTCH	DEUSTCH CONNECTOR
2	HV226660	1	DANFOSS PVG100 MANIFOLD	
3	HV297127	1	SPOOL	
4	HV223173	1	MANUAL ACTUATOR	
5	HF4060-12-12	2	FITTING - #12 BSP MALE X #12 ORFS MALE FITTING - #12 ORFS FEMALE X #12 ORFS MALE	
6	HF7969-12-12	2	90 DEGREE	
7	HV292265	2	SHOCK VALVE - 265 BAR	
8	SK224033	1	SEAL KIT - ON/OFF & PROPORTIONAL VALVE	
9	SK224033B	1	SEAL KIT - ON/OFF & PROP VALVES INTERNAL	
10	SK228179	1	SEAL KIT - BETWEEN 1 SECTION	
11	SK223173	1	SEAL KIT - MANUAL ACTUATOR	
12	BSP12	2	BONDED SEAL - #12 (3/4")	
13	R24327C	4	O-RING - #12 ORFS	
14	T235395A	2	O-RING	
15	ORB3-910	1	O-RING	
16	HV292265	2	SHOCK VALVE - 265 BAR	

*All manufacturers names, numbers, marks, trademarks and symbols and descriptions are used for reference purposes only. Use of parts not supplied from the original manufacturer on machines under manufacturer warranty could potentially void your manufacturer warranty. Machined parts are built by Axis, not the original manufacturer.

623C PVG100 End Manifold. Serial up to 566

End Manifold First Design
616C Serial - 471
623C Serial - 566



*All manufacturers names, numbers, marks, trademarks and symbols and descriptions are used for reference purposes only. Use of parts not supplied from the original manufacturer on machines under manufacturer warranty could potentially void your manufacturer warranty. Machined parts are built by Axis, not the original manufacturer.

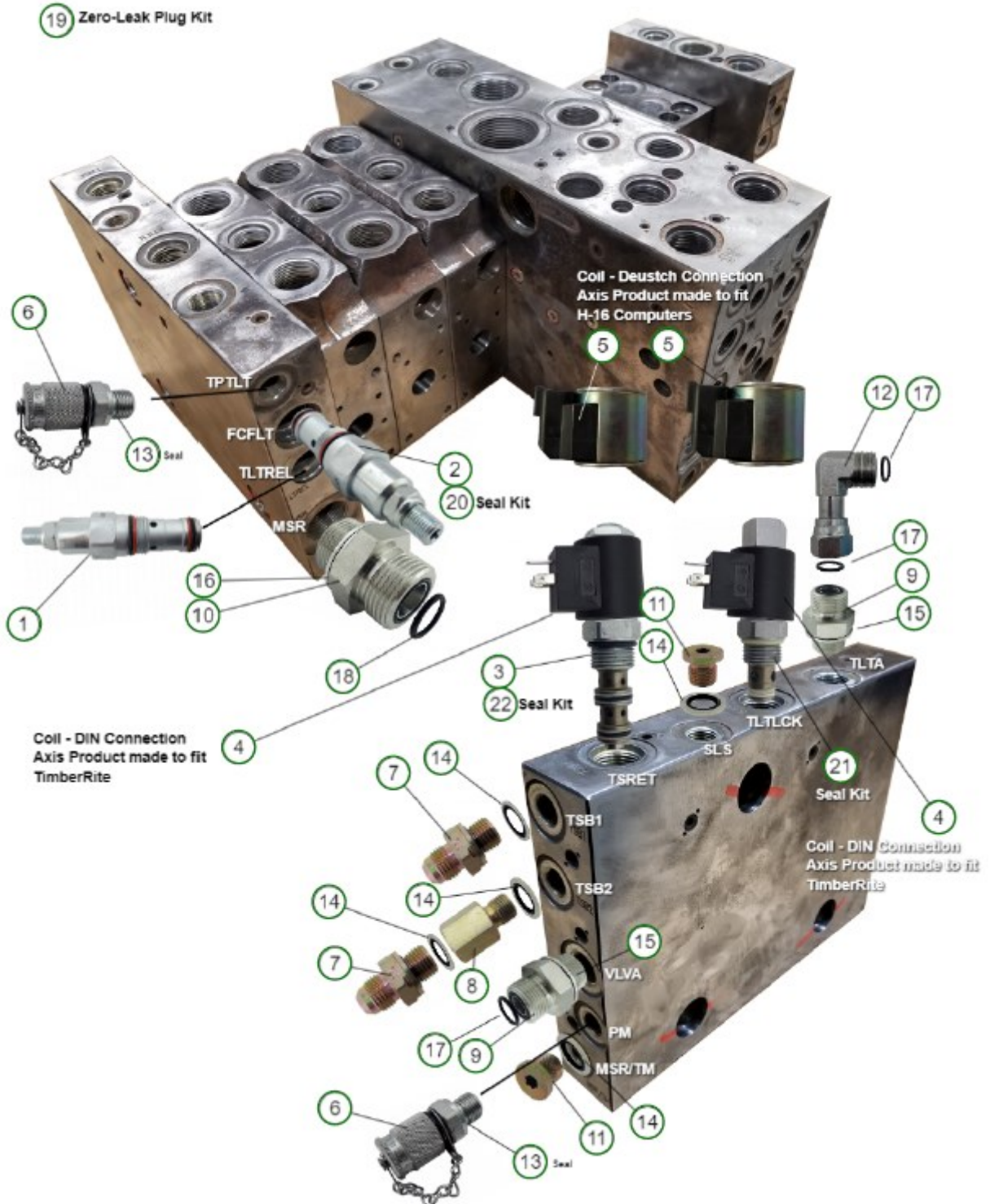
623C PVG100 End Manifold. Serial up to 566

No.	Axis Part No	Qty	Description	Notes
1	HV356306	1	COIL	
2	HV350834	1	SOLENOID VALVE	
3	HF4060-12-12	1	FITTING - #12 BSP MALE X #12 ORFS MALE	
4	HF6575-12-12	1	FITTING - #12 ORFS MLE X #12 ORFS FEMALE 45	
5	HF2040-6-6	1	FITTING - #6 JIC MALE X #6 BSP MALE	
6	HF2939-6-6	1	FITTING - #6 JIC MLE X #6 JIC FEMALE 90 DEG	
7	HF41-4	1	FITTING - ROUND PLUG #4 BSP SEAL	
8	HF14TP	1	TEST PORT 1/4" BSP	
9	HF14TPC	1	TEST PORT CAP	
10	SK228179	1	SEAL KIT - BETWEEN 1 SECTION, PVG100	
11	SK351715	1	SEAL KIT	
12	BSP6	1	BONDED SEAL - #6 (3/8")	
13	BSP12	1	BONDED SEAL - #12 (3/4")	
14	ED4	1	SPECIAL BSP SEAL #4	
15	R24327C	1	O-RING - #12 ORFS	
16	HV350830	1	CARTRIDGE VALVE	
17	SK816232	1	ZERO-LEAK PLUGS O-RING KIT	
18	PK816232A	1	PLUG KIT	

*All manufacturers names, numbers, marks, trademarks and symbols and descriptions are used for reference purposes only. Use of parts not supplied from the original manufacturer on machines under manufacturer warranty could potentially void your manufacturer warranty. Machined parts are built by Axis, not the original manufacturer.

623C PVG100 End Manifold. Serial 567 and up

PVG100 End Manifold Second Design
616C Serial 472+
623C Serial 567+



*All manufacturers names, numbers, marks, trademarks and symbols and descriptions are used for reference purposes only. Use of parts not supplied from the original manufacturer on machines under manufacturer warranty could potentially void your manufacturer warranty. Machined parts are built by Axis, not the original manufacturer.

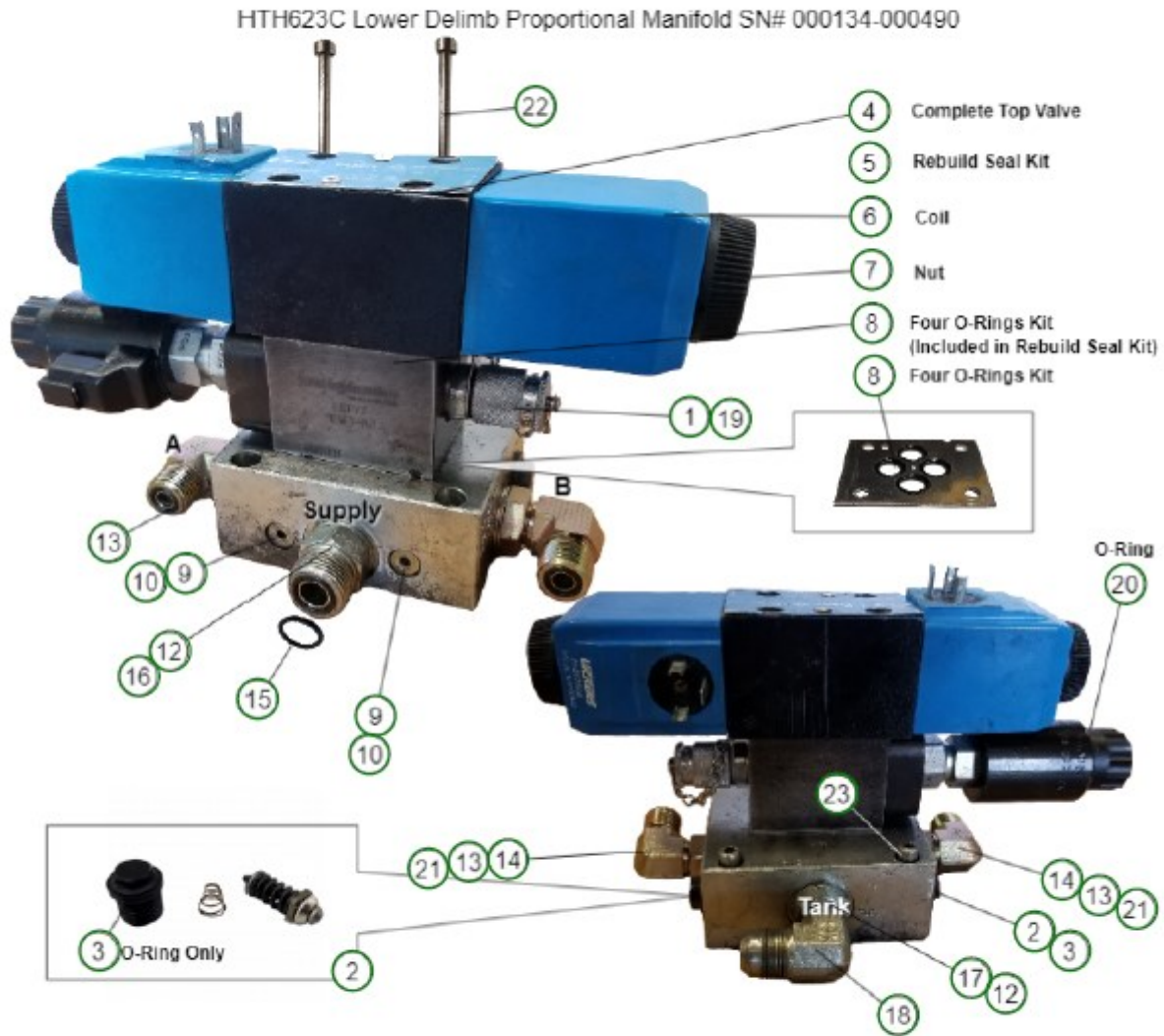
623C PVG100 End Manifold. Serial 567 and up



No.	Axis Part No	Qty	Description	Notes
1	HV350794	1	CARTRIDGE VALVE	
2	HV350826	1	VALVE	
3	HV350834	1	SOLENOID VALVE	
4	HV356306	2	COIL	
5	HV356307	2	COIL - DEUTSCH CONNECTOR	
6	HF14TP	2	TEST PORT 1/4" BSP	
7	HF2040-6-4	2	FITTING - #6 JIC MALE X #4 BSPP MALE	
8	HF4050-4-4	1	FITTING - #4 BSP MALE X #4 BSP FEMALE SOLID	
9	HF4060-6-6	2	FITTING - #6 BSP MALE X #6 ORFS MALE	
10	HF4060-12-12	1	FITTING - #12 BSP MALE X #12 ORFS MALE	
11	HF41-4	2	FITTING - ROUND PLUG #4 BSP SEAL	
12	HF6979-6-6	1	FITTING - #6 ORFS MLE X #6 ORFS FEMALE 90	
13	ED4	2	SPECIAL BSP SEAL #4	
14	BSP4	5	BONDED SEAL - #4 (1/4")	
15	BSP6	2	BONDED SEAL - #6 (3/8")	
16	BSP12	1	BONDED SEAL - #12 (3/4")	
17	R24321C	3	O-RING	
18	R24327C	1	O-RING	
19	PK816232C	1	PLUG KIT	
20	SK350826	1	SEAL KIT	
21	SK351714	1	SEAL KIT	
22	SK351715	1	SEAL KIT	

*All manufacturers names, numbers, marks, trademarks and symbols and descriptions are used for reference purposes only. Use of parts not supplied from the original manufacturer on machines under manufacturer warranty could potentially void your manufacturer warranty. Machined parts are built by Axis, not the original manufacturer.

623C Lower Delimb. Serials 134 to 490



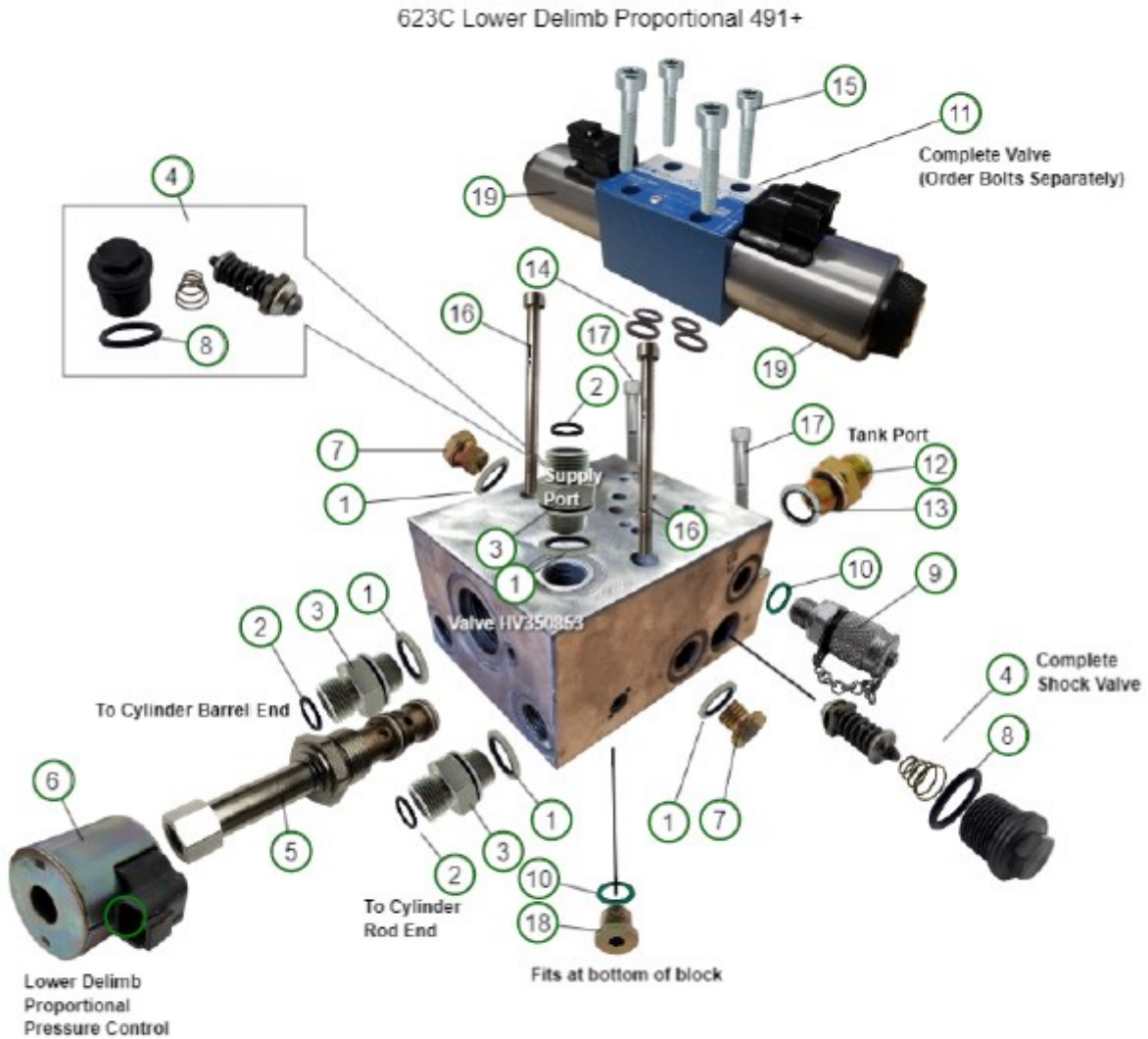
*All manufacturers names, numbers, marks, trademarks and symbols and descriptions are used for reference purposes only. Use of parts not supplied from the original manufacturer on machines under manufacturer warranty could potentially void your manufacturer warranty. Machined parts are built by Axis, not the original manufacturer.

623C Lower Delimb. Serials 134 to 490

No.	Axis Part No	Qty	Description	Notes
1	HF14TP	1	TEST PORT 1/4" BSP	
2	HV292210	1	SHOCK VALVE - 210 BAR	
3	T235395C	1	O-RING	
4	HV290846	1	VALVE	
5	SK700413	1	SEAL KIT	
6	HV290848	2	COIL	
7	HV290849	2	VICKERS VALVE NUT	
8	SK700411	1	SEAL KIT - VICKERS VALVE BASE	
9	T149367A	2	O-RING	
10	HF81-03	2	ZERO-LEAK PORT PLUG	
11	BSP6	2	BONDED SEAL - #6 (3/8")	
12	R24321C	3	O-RING - #6 ORFS	
13	R24422C	2	O-RING	
14	R24323C	1	O-RING - #8 ORFS	
15	HF4060-6-8	1	FITTING - #6 BSP MALE X #8 ORFS MALE	
16	HF2040-8-6	1	FITTING - #8 JIC MALE X #6 BSP MALE	
17	HF2939-8-8	1	FITTING - #8 JIC MALE X #8 JIC FEMALE 90	
18	ED4	1	SPECIAL BSP SEAL #4	
19	ORB3-910	1	O-RING	
20	HF4969-6-6	2	FITTING - #6 BSP MALE X #6 ORFS MALE 90 DEG	
21	GFB80575	4	BOLT - S/CAP M5 X 75MM	
22	GFB80540	4	BOLT - S/CAP M5 X 40MM	

*All manufacturers names, numbers, marks, trademarks and symbols and descriptions are used for reference purposes only. Use of parts not supplied from the original manufacturer on machines under manufacturer warranty could potentially void your manufacturer warranty. Machined parts are built by Axis, not the original manufacturer.

623C Lower Delimb. Serials 490 and up



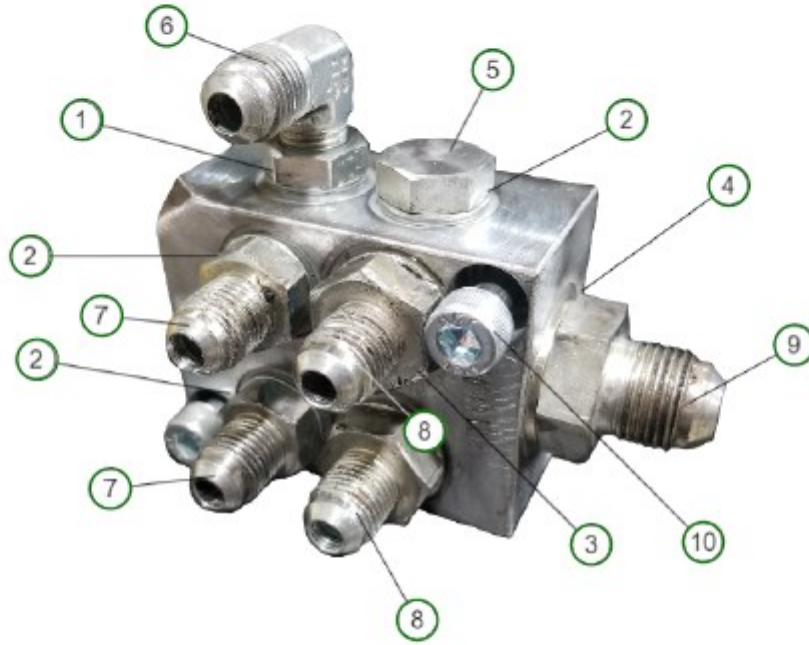
*All manufacturers names, numbers, marks, trademarks and symbols and descriptions are used for reference purposes only. Use of parts not supplied from the original manufacturer on machines under manufacturer warranty could potentially void your manufacturer warranty. Machined parts are built by Axis, not the original manufacturer.

623C Lower Delimb. Serials 490 and up

No.	Axis Part No	Qty	Description	Notes
1	BSP6	6	BONDED SEAL - #6 (3/8")	
2	R24323C	3	O-RING	
3	HF4060-6-8	3	FITTING - #6 BSP MALE X #8 ORFS MALE	
4	HV292150	2	SHOCK VALVE - 150 BAR	
5	HV350853	1	PROPORTIONAL CARTRIDGE VALVE	
6	HV356355	1	SAW PROP COIL DEUTSCH CONNECTOR	
7	HF40-6	2	FITTING - HEX PLUG #6 BSP	
8	T235395C	2	O-RING	
9	HF14TP	1	TEST PORT 1/4" BSP	
10	ED4	2	SPECIAL BSP SEAL #4	
11	HV290857	1	VALVE ASSY	
12	HF2040-8-8	1	FITTING - #8 JIC MALE X #8 BSP MALE	
13	BSP8	1	BONDED SEAL - #8 (1/2")	
14	SK700411	1	SEAL KIT - VICKERS VALVE BASE	
15	GFB80530	1	BOLT - M5 X 30MM SOCKET HEAD	
16	GFB80575	2	BOLT - S/CAP M5 X 75MM	
17	GFB80540	2	BOLT - S/.CAP M5 X 40MM	
18	HF41-4	1	FITTING - ROUND PLUG #4 BSP SEAL	
19	HV290856	2	COIL	

*All manufacturers names, numbers, marks, trademarks and symbols and descriptions are used for reference purposes only. Use of parts not supplied from the original manufacturer on machines under manufacturer warranty could potentially void your manufacturer warranty. Machined parts are built by Axis, not the original manufacturer.

623C Motors Case Drain Manifold



*All manufacturers names, numbers, marks, trademarks and symbols and descriptions are used for reference purposes only. Use of parts not supplied from the original manufacturer on machines under manufacturer warranty could potentially void your manufacturer warranty. Machined parts are built by Axis, not the original manufacturer.

623C Motors Case Drain Manifold

No.	Axis Part No	Qty	Description	Notes
1	R24420C	1	O-RING	
2	BSP4	3	BONDED SEAL - #4 (1/4")	
3	BSP6	2	BONDED SEAL - #6 (3/8")	
4	BSP8	1	BONDED SEAL - #8 (1/2")	
5	HF40-4	1	FITTING - HEX PLUG #4 BSP	
6	HF2949-6-4	1	FITTING - #6 JIC X #4 MBSP 90 DEGREE	
7	HF2040-6-4	2	FITTING - #6 JIC MALE X #4 BSP MALE	
8	HF2040-6-6	2	FITTING - #6 JIC MALE X #6 BSP MALE	
9	HF2040-8-8	1	FITTING - #8 JIC MALE X #8 BSP MALE	

*All manufacturers names, numbers, marks, trademarks and symbols and descriptions are used for reference purposes only. Use of parts not supplied from the original manufacturer on machines under manufacturer warranty could potentially void your manufacturer warranty. Machined parts are built by Axis, not the original manufacturer.



HOSES & FITTINGS

Hose Wrap



*All manufacturers names, numbers, marks, trademarks and symbols and descriptions are used for reference purposes only. Use of parts not supplied from the original manufacturer on machines under manufacturer warranty could potentially void your manufacturer warranty. Machined parts are built by Axis, not the original manufacturer.

Hose Wrap

No.	Axis Part No	Qty	Description	Notes
1	OMNI-6	1	HOSE WRAP FITS #4 (1/4") HOSE	SOLD PER FOOT
2	OMNI-8	1	HOSE WRAP FITS #6 (3/8") HOSE	SOLD PER FOOT
3	OMNI-10	1	HOSE WRAP FITS #8 (1/2") HOSE	SOLD PER FOOT
4	OMNI-12	1	HOSE WRAP FITS #10 (5/8") HOSE	SOLD PER FOOT
5	OMNI-16	1	HOSE WRAP FITS #12 (3/4") HOSE	SOLD PER FOOT
6	OMNI-20	1	HOSE WRAP FITS #16 & #20 (1" TO 1-1/4") HOSE	SOLD PER FOOT
7	OMNI-48	1	BUNDLE WRAP 3" ID	SOLD PER FOOT

*All manufacturers names, numbers, marks, trademarks and symbols and descriptions are used for reference purposes only. Use of parts not supplied from the original manufacturer on machines under manufacturer warranty could potentially void your manufacturer warranty. Machined parts are built by Axis, not the original manufacturer.

623C 270 Rotation Main Hoses

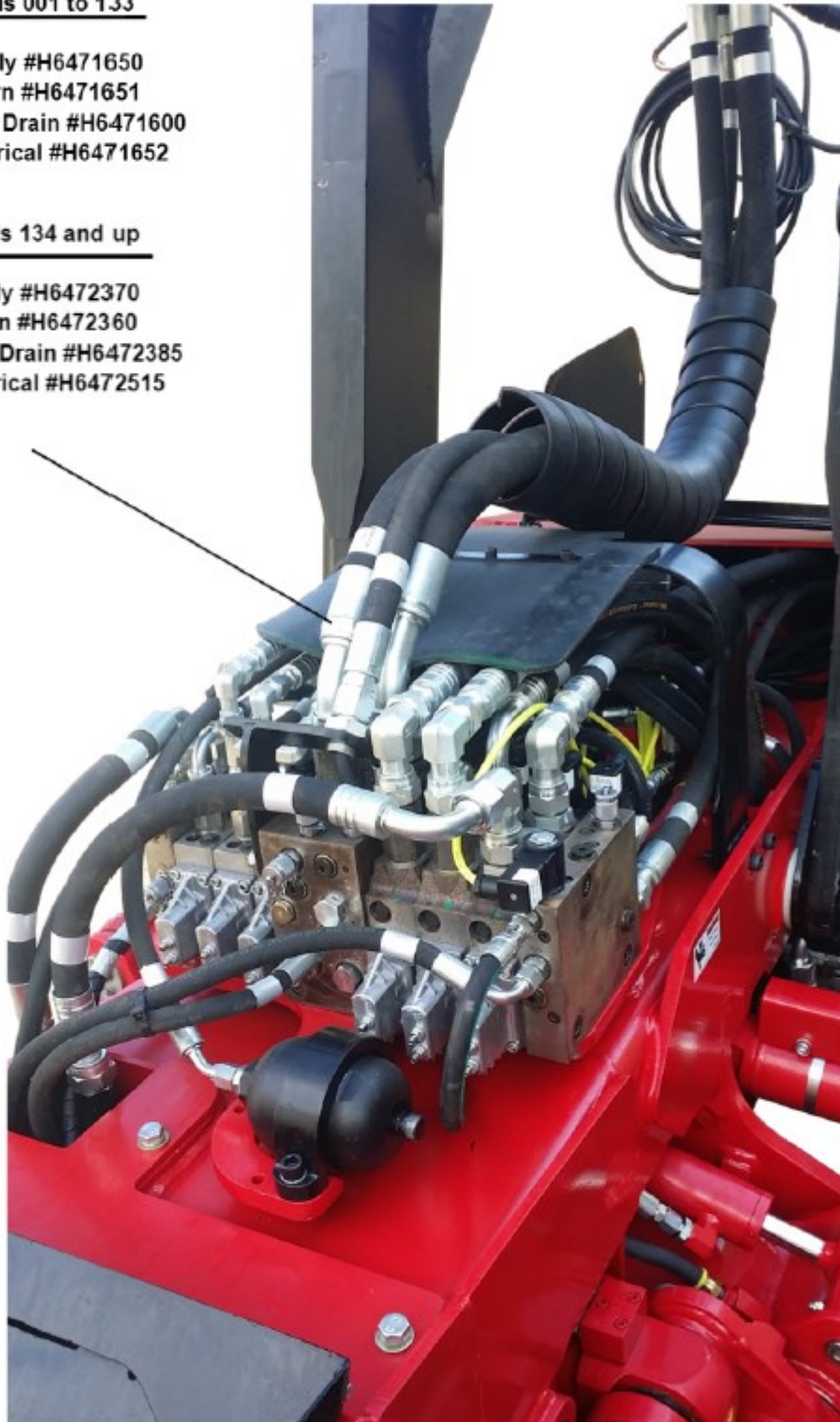
623C 270 Rotation Main Hoses

Serials 001 to 133

Supply #H6471650
Return #H6471651
Case Drain #H6471600
Electrical #H6471652

Serials 134 and up

Supply #H6472370
Return #H6472360
Case Drain #H6472385
Electrical #H6472515



*All manufacturers names, numbers, marks, trademarks and symbols and descriptions are used for reference purposes only. Use of parts not supplied from the original manufacturer on machines under manufacturer warranty could potentially void your manufacturer warranty. Machined parts are built by Axis, not the original manufacturer.

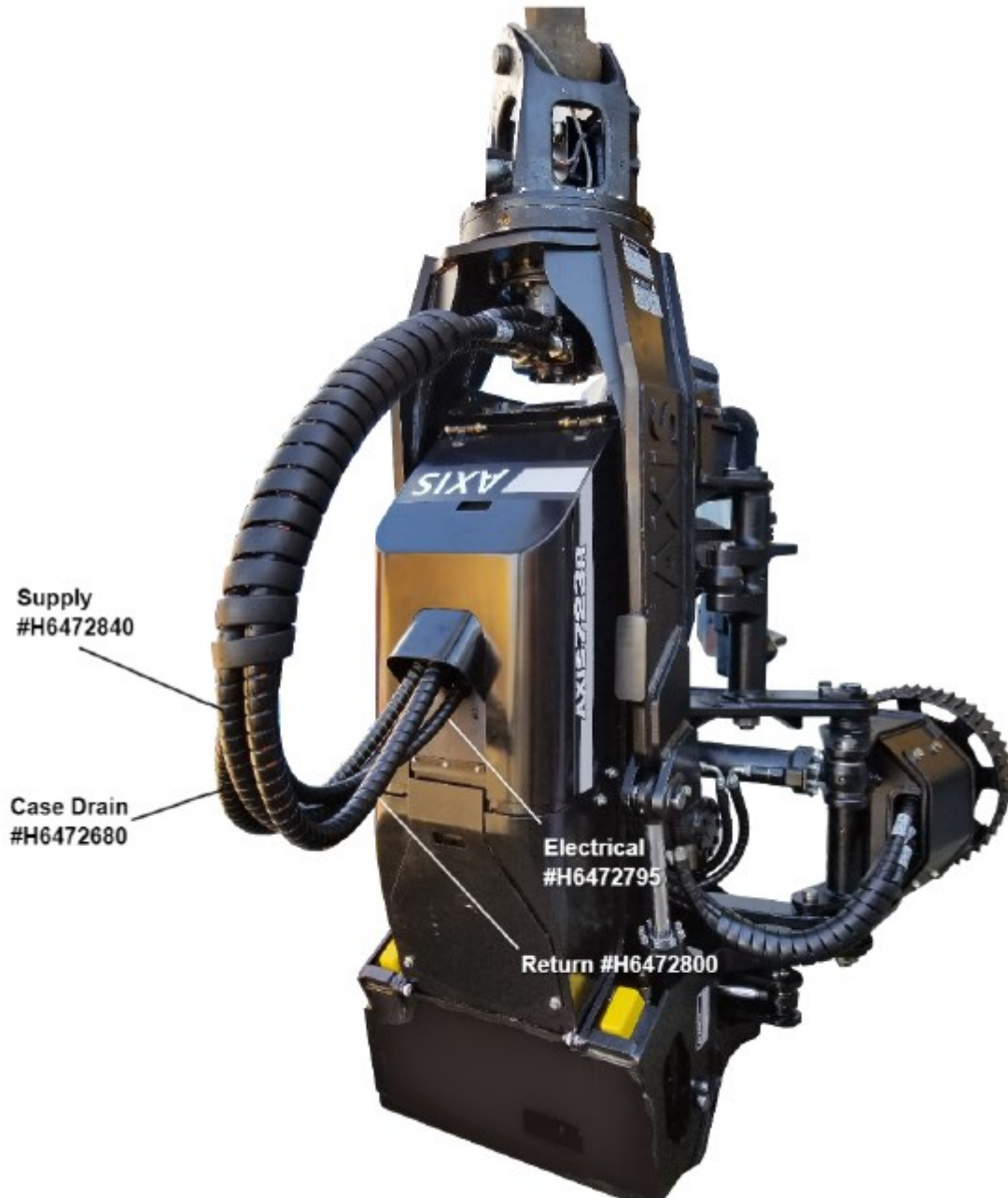
623C 270 Rotation Main Hoses

No.	Axis Part No	Qty	Description	Notes
			SERIAL UP TO 133	
	H6471650	1	SUPPLY	1650mm OAL, #16 4 WIRE. #16 ORFS FEM X #16 ORFS FEM 45
	H6471651	1	RETURN	1651mm OAL, #20 4 WIRE, #20 JIC FEM X #20 JIC FEM 45
	H6471600	1	CASE DRAIN	1600mm OAL, #12 2 WIRE, #12 JIC FEM X #12 JIC FEM 45
	H6471652	1	ELECTRICAL	1652mm OAL, #12 2 WIRE, #12 JIC FEM X #12 JIC FEM
			SERIAL 134 AND UP	
	H6472370	1	SUPPLY	2370mm OAL, #16 4 WIRE, #16 ORFS FEM X #16 ORFS FEM 90
	H6472360	1	RETURN	2360mm OAL, #16 4 WIRE, #16 JIC FEM X #16 JIC FEM 90
	H6472385	1	CASE DRAIN	2385mm OAL, #12 2 WIRE, #12 JIC FEM X #12 JIC FEM 90
	H6472515	1	ELECTRICAL	2515mm OAL, #12 2 WIRE, #12 JIC FEM X #12 JIC FEM

*All manufacturers names, numbers, marks, trademarks and symbols and descriptions are used for reference purposes only. Use of parts not supplied from the original manufacturer on machines under manufacturer warranty could potentially void your manufacturer warranty. Machined parts are built by Axis, not the original manufacturer.

623C Continuous Rotation Main Hoses

623C Continuous Rotation Main Hoses



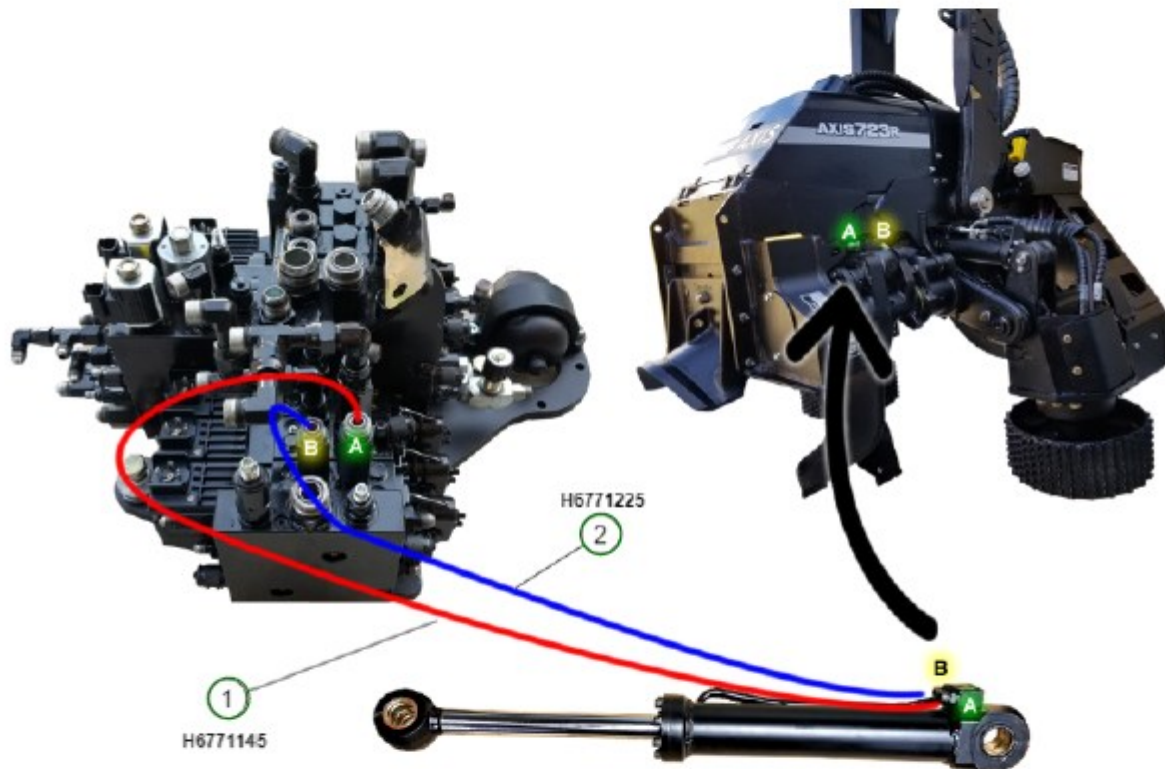
*All manufacturers names, numbers, marks, trademarks and symbols and descriptions are used for reference purposes only. Use of parts not supplied from the original manufacturer on machines under manufacturer warranty could potentially void your manufacturer warranty. Machined parts are built by Axis, not the original manufacturer.

623C Continuous Rotation Main Hoses

No.	Axis Part No	Qty	Description	Notes
	H6472840	1	SUPPLY	2840mm OAL, #16 4 WIRE, #16 ORFS FEM X #16 ORFS FEM 90
	H6472800	1	RETURN	2800mm OAL, #16 4 WIRE, #16 JIC FEM X #16 JIC FEM 90
	H6472680	1	CASE DRAIN	2680mm OAL, #12 2 WIRE, #12 JIC FEM X #12 JIC FEM 90
	H6472795	1	ELECTRICAL	2795mm OAL, #12 2 WIRE, #12 JIC FEM X #12 JIC FEM

*All manufacturers names, numbers, marks, trademarks and symbols and descriptions are used for reference purposes only. Use of parts not supplied from the original manufacturer on machines under manufacturer warranty could potentially void your manufacturer warranty. Machined parts are built by Axis, not the original manufacturer.

623C Delimb Cylinder Hoses



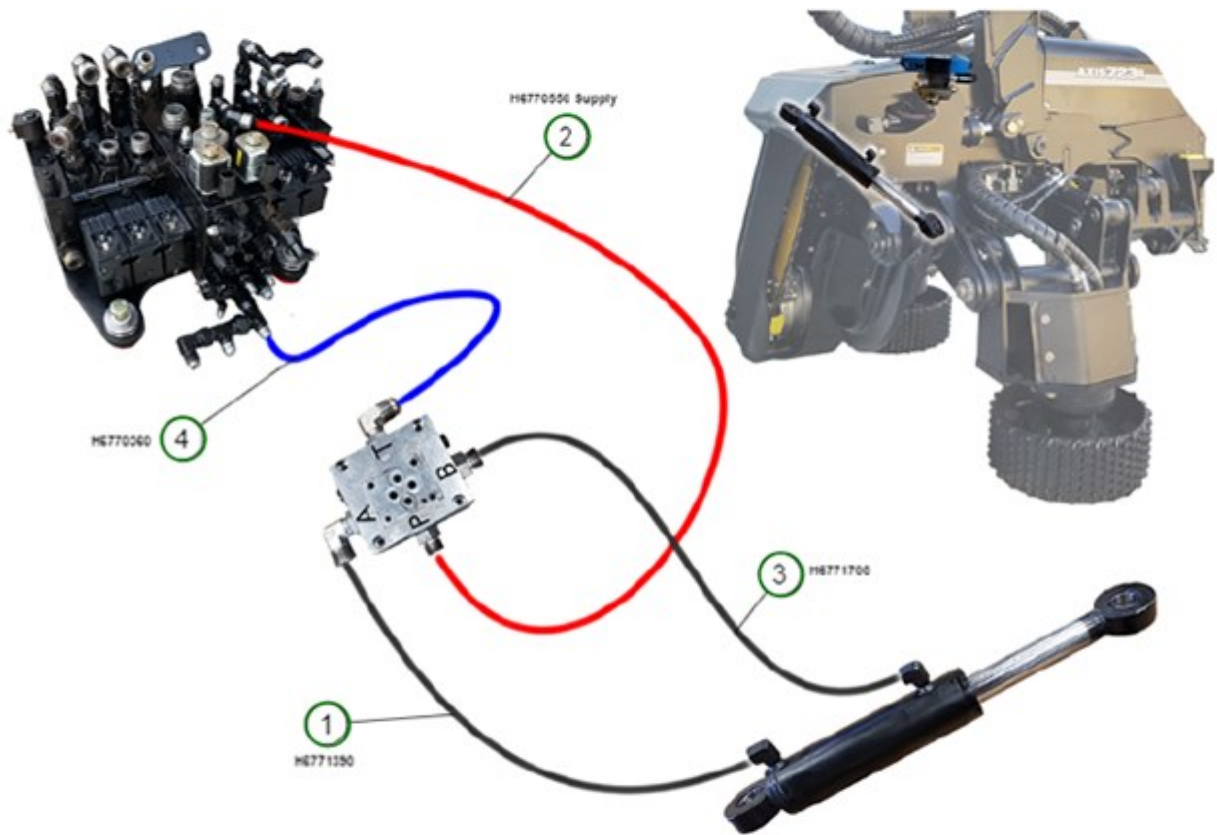
*All manufacturers names, numbers, marks, trademarks and symbols and descriptions are used for reference purposes only. Use of parts not supplied from the original manufacturer on machines under manufacturer warranty could potentially void your manufacturer warranty. Machined parts are built by Axis, not the original manufacturer.

623C Delimb Cylinder Hoses

No.	Axis Part No	Qty	Description	Notes
1	H6771145	1	DELIMB A PORT	1145mm OAL, #8 4 WIRE, #8 ORFS FEM X #8 ORFS FEM 90
2	H6771225	1	DELIMB B PORT	1225mm OAL, #8 4 WIRE, #8 ORFS FEM X #8 ORFS FEM 90

*All manufacturers names, numbers, marks, trademarks and symbols and descriptions are used for reference purposes only. Use of parts not supplied from the original manufacturer on machines under manufacturer warranty could potentially void your manufacturer warranty. Machined parts are built by Axis, not the original manufacturer.

623C Lower Delimb Cylinder Hoses Serial 039 to 490



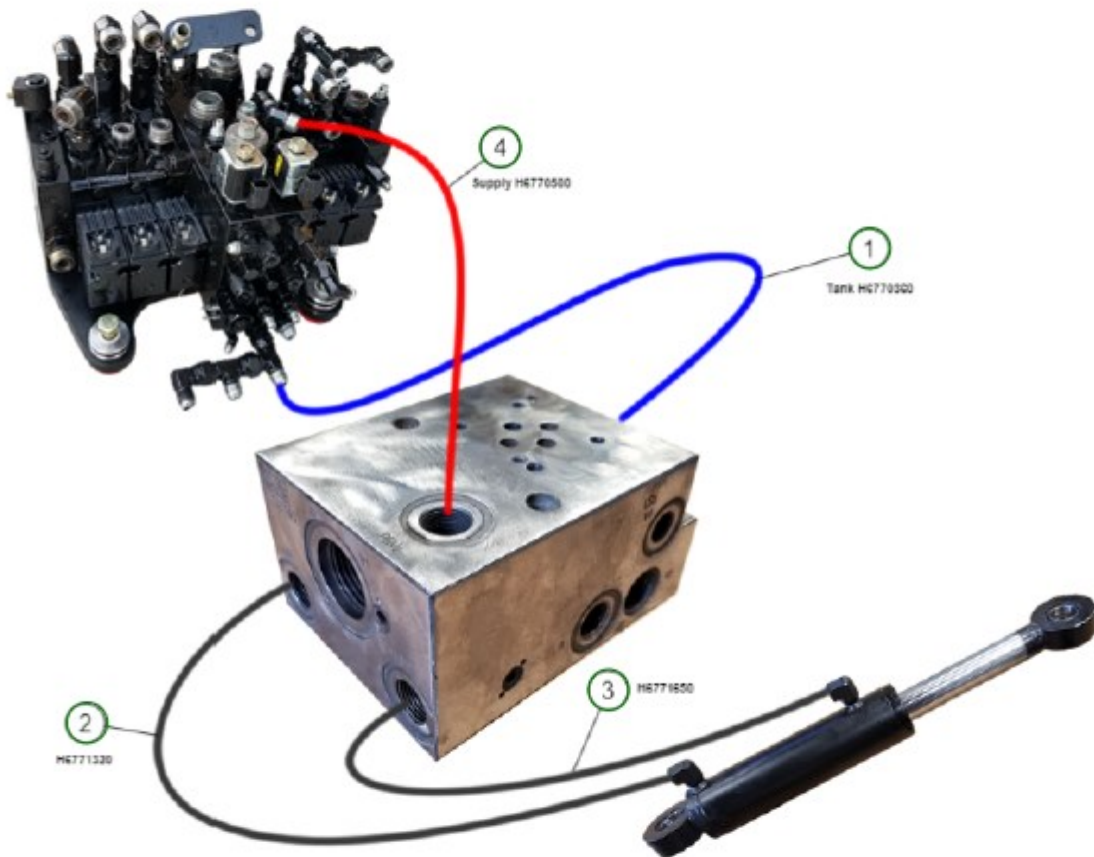
*All manufacturers names, numbers, marks, trademarks and symbols and descriptions are used for reference purposes only. Use of parts not supplied from the original manufacturer on machines under manufacturer warranty could potentially void your manufacturer warranty. Machined parts are built by Axis, not the original manufacturer.

623C Lower Delimb Cylinder Hoses Serial 039 to 490

No.	Axis Part No	Qty	Description	Notes
1	H6771390	1	HYDRAULIC HOSE	1390mm OAL, #6 2 WIRE, #6 ORFS FEM X #6 ORFS FEM
2	H6770550	1	HYDRAULIC HOSE - SUPPLY	550mm OAL, #8 2 WIRE, #8 ORFS FEM X #8 ORFS FEM 90
3	H6771700	1	HYDRAULIC HOSE	1700mm OAL, #6 2 WIRE, #6 ORFS FEM X #6 ORFS FEM
4	H6770360	1	HYDRAULIC HOSE	360mm OAL, #8 2 WIRE, #8 JIC FEM X #8 JIC FEM 90

*All manufacturers names, numbers, marks, trademarks and symbols and descriptions are used for reference purposes only.
Use of parts not supplied from the original manufacturer on machines under manufacturer warranty could potentially void your
manufacturer warranty. Machined parts are built by Axis, not the original manufacturer.

623C Lower Delimb Cylinder Hoses Serial 491 and up



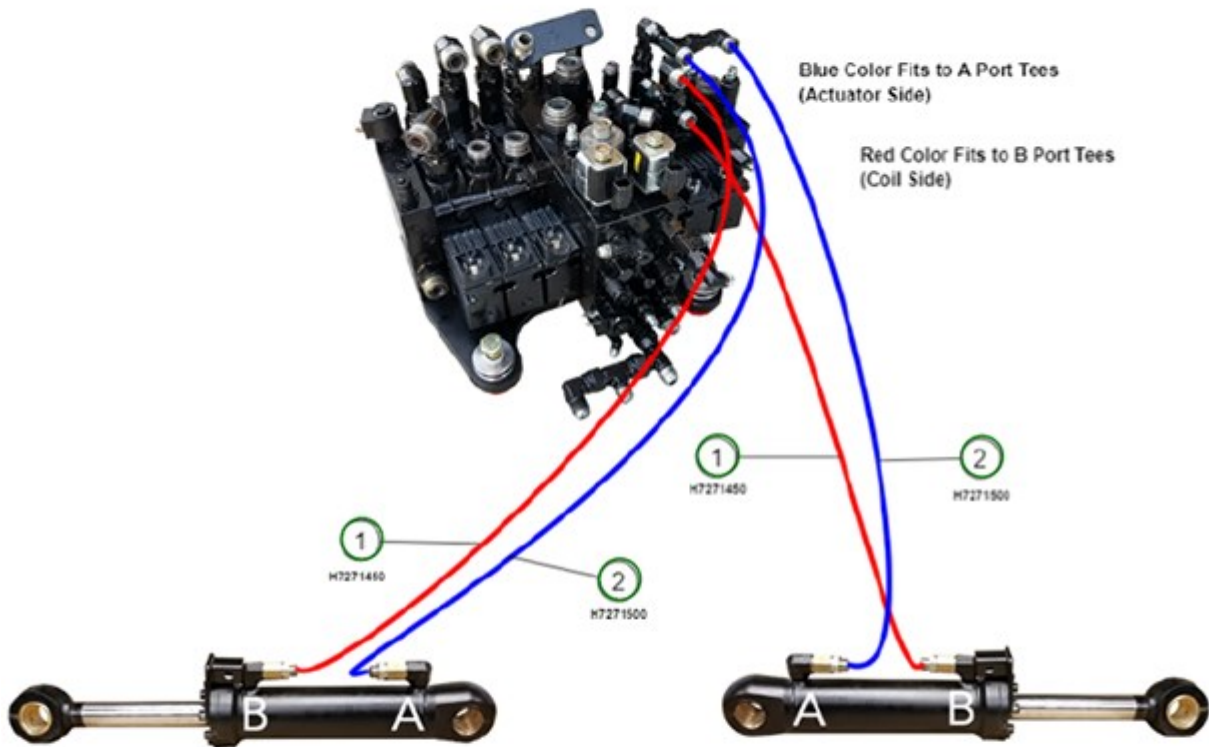
*All manufacturers names, numbers, marks, trademarks and symbols and descriptions are used for reference purposes only. Use of parts not supplied from the original manufacturer on machines under manufacturer warranty could potentially void your manufacturer warranty. Machined parts are built by Axis, not the original manufacturer.

623C Lower Delimb Cylinder Hoses Serial 491 and up

No.	Axis Part No	Qty	Description	Notes
1	H6770360	1	HYDRAULIC HOSE - TANK	360mm OAL, #8 2 WIRE, #8 JIC FEM X #8 JIC FEM 90
2	H6771320	1	HYDRAULIC HOSE	1320mm OAL, #8 2 WIRE, #8 ORFS FEM X #8 ORFS FEM
3	H6771650	1	HYDRAULIC HOSE	1650mm OAL, #8 2 WIRE, #8 ORFS FEM X #8 ORFS FEM
4	H6770500	1	HYDRAULIC HOSE - SUPPLY	500mm OAL, #8 2 WIRE, #8 ORFS FEM X #8 ORFS FEM 90

*All manufacturers names, numbers, marks, trademarks and symbols and descriptions are used for reference purposes only. Use of parts not supplied from the original manufacturer on machines under manufacturer warranty could potentially void your manufacturer warranty. Machined parts are built by Axis, not the original manufacturer.

623C Feed Arm Cylinder Hoses



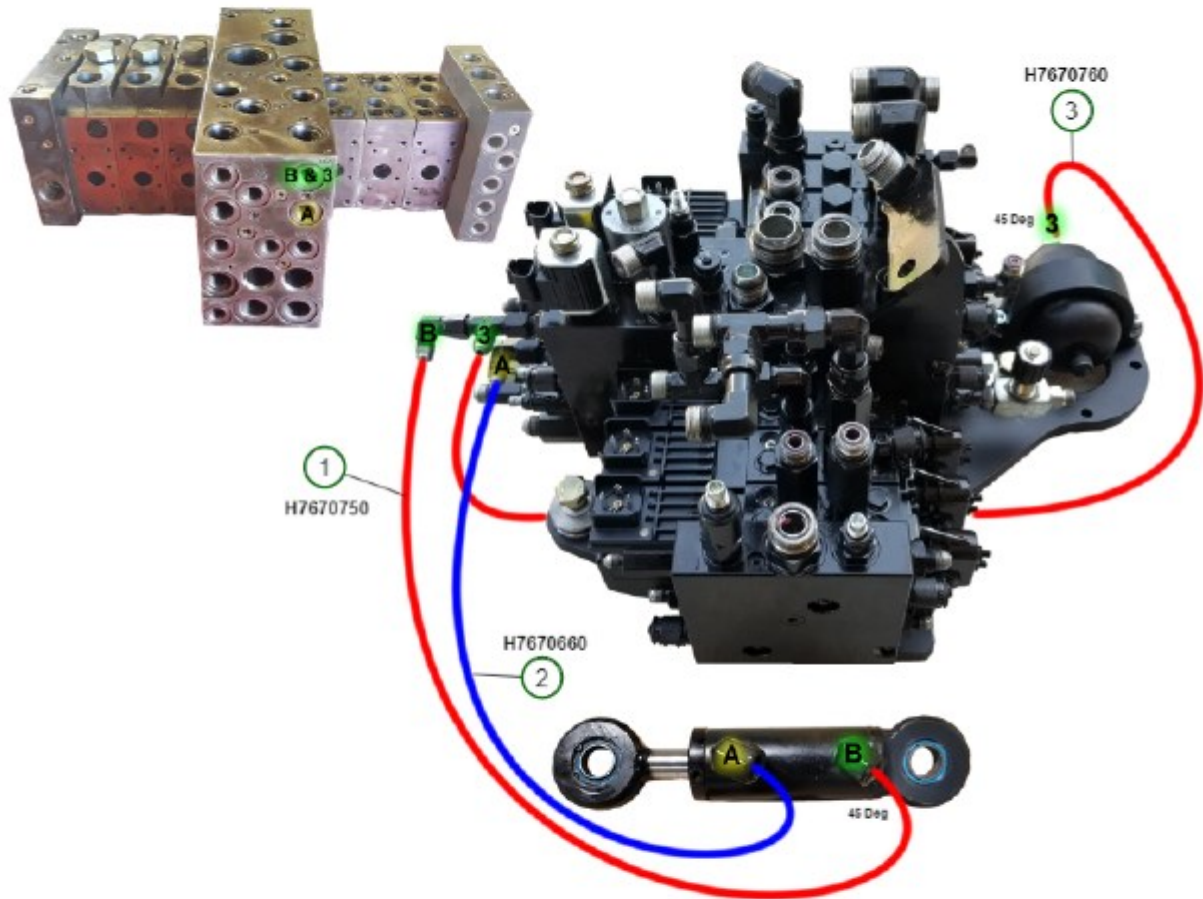
*All manufacturers names, numbers, marks, trademarks and symbols and descriptions are used for reference purposes only. Use of parts not supplied from the original manufacturer on machines under manufacturer warranty could potentially void your manufacturer warranty. Machined parts are built by Axis, not the original manufacturer.

623C Feed Arm Cylinder Hoses

No.	Axis Part No	Qty	Description	Notes
1	H7271450	1	HYDRAULIC HOSE - RH FEED CYL	1450mm OAL, #8 2 WIRE, #8 ORFS FEM X #8 ORFS FEM 90
2	H7271500	1	HYDRAULIC HOSE - LH FEED CYL	1500mm OAL, #8 2 WIRE, #8 ORFS FEM X #8 ORFS FEM 90

*All manufacturers names, numbers, marks, trademarks and symbols and descriptions are used for reference purposes only. Use of parts not supplied from the original manufacturer on machines under manufacturer warranty could potentially void your manufacturer warranty. Machined parts are built by Axis, not the original manufacturer.

623C Measure Cylinder Hoses



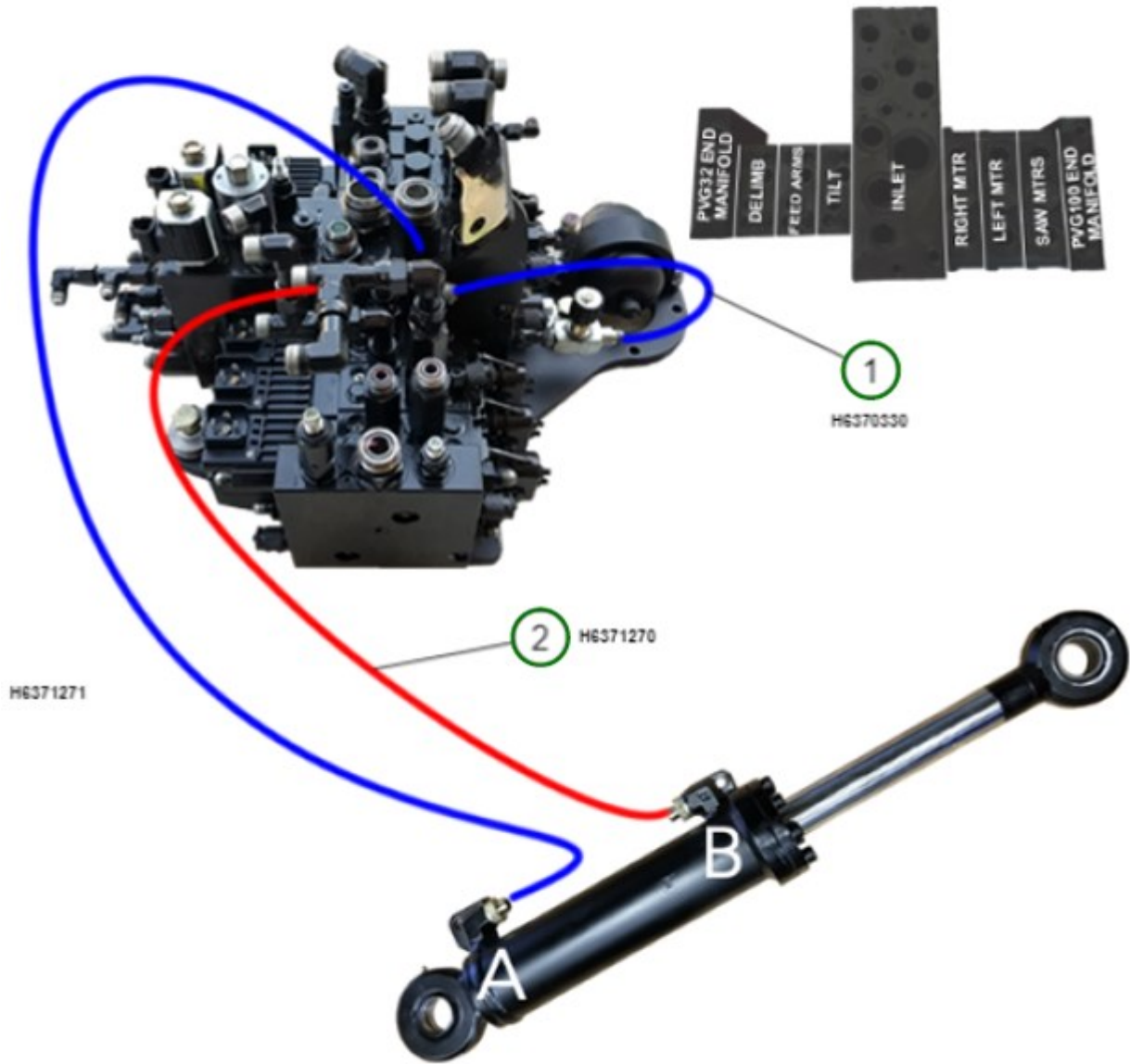
*All manufacturers names, numbers, marks, trademarks and symbols and descriptions are used for reference purposes only. Use of parts not supplied from the original manufacturer on machines under manufacturer warranty could potentially void your manufacturer warranty. Machined parts are built by Axis, not the original manufacturer.

623C Measure Cylinder Hoses

No.	Axis Part No	Qty	Description	Notes
1	H7670750	1	HYDRAULIC HOSE	750mm OAL, #6 2 WIRE, #6 JIC FEM X #6 JIC FEM
2	H7670660	1	HYDRAULIC HOSE	660mm OAL, #6 2 WIRE, #6 JIC FEM X #6 JIC FEM 45
3	H7670760	1	HYDRAULIC HOSE	760mm OAL, #6 2 WIRE, #6 JIC FEM X #6 JIC FEM 45

*All manufacturers names, numbers, marks, trademarks and symbols and descriptions are used for reference purposes only. Use of parts not supplied from the original manufacturer on machines under manufacturer warranty could potentially void your manufacturer warranty. Machined parts are built by Axis, not the original manufacturer.

623C Tilt Cylinder Hoses. Serial up to 566



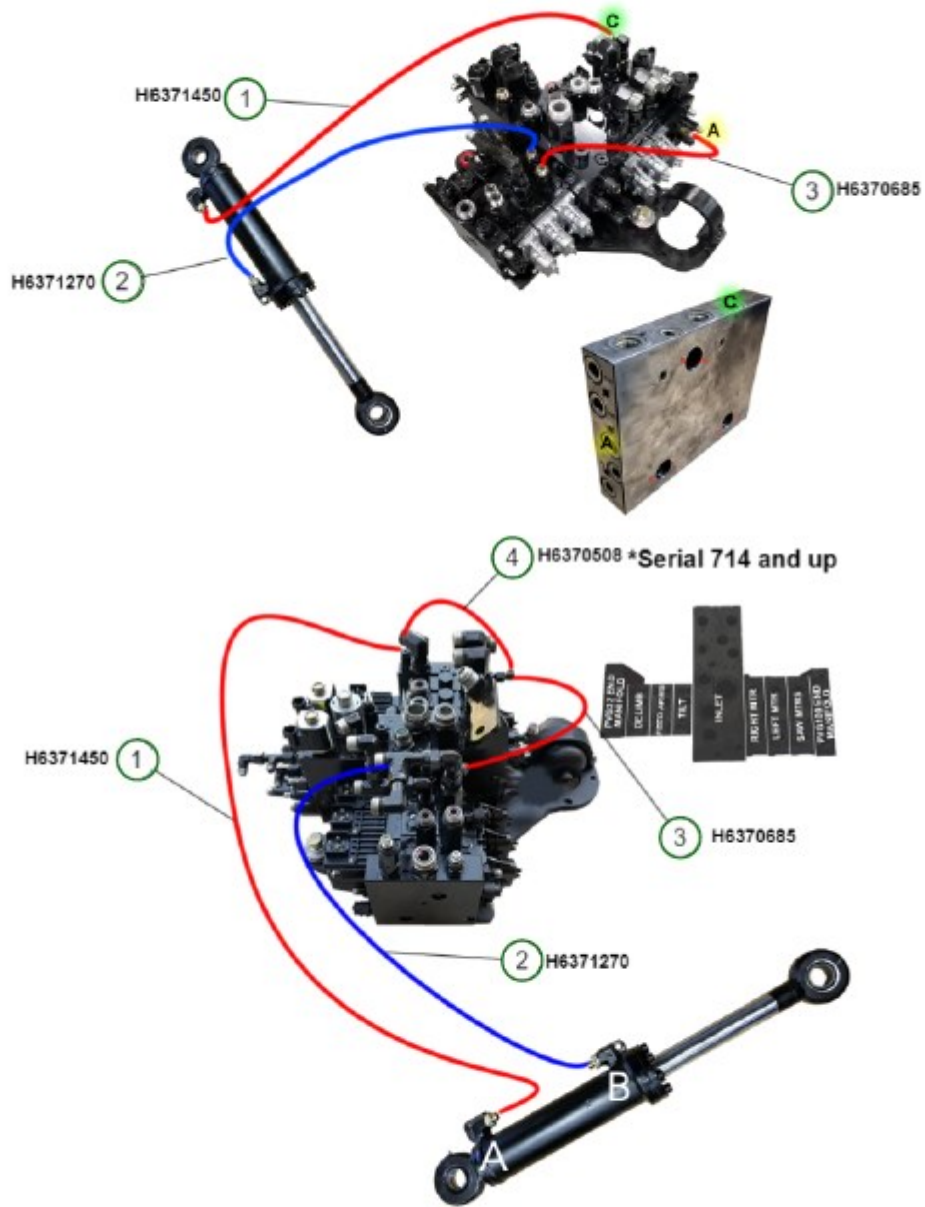
*All manufacturers names, numbers, marks, trademarks and symbols and descriptions are used for reference purposes only. Use of parts not supplied from the original manufacturer on machines under manufacturer warranty could potentially void your manufacturer warranty. Machined parts are built by Axis, not the original manufacturer.

623C Tilt Cylinder Hoses. Serial up to 566

No.	Axis Part No	Qty	Description	Notes
1	H6370330	1	HYDRAULIC HOSE	330mm OAL, #6 2 WIRE, #6 JIC FEM X #6 JIC FEM 90
2	H6371270	1	HYDRAULIC HOSE	1270mm OAL, #6 2 WIRE, #6 JIC FEM X #6 JIC FEM 90
3	H6371271	1	HYDRAULIC HOSE	1271mm OAL, #6 2 WIRE, #6 JIC FEM X #6 JIC FEM

*All manufacturers names, numbers, marks, trademarks and symbols and descriptions are used for reference purposes only. Use of parts not supplied from the original manufacturer on machines under manufacturer warranty could potentially void your manufacturer warranty. Machined parts are built by Axis, not the original manufacturer.

623C Tilt Cylinder Hoses. Serial 567 and up



*All manufacturers names, numbers, marks, trademarks and symbols and descriptions are used for reference purposes only. Use of parts not supplied from the original manufacturer on machines under manufacturer warranty could potentially void your manufacturer warranty. Machined parts are built by Axis, not the original manufacturer.

623C Tilt Cylinder Hoses. Serial 567 and up

No.	Axis Part No	Qty	Description	Notes
1	H6371450	1	HYDRAULIC HOSE	1450mm OAL, #6 2 WIRE, #6 JIC FEM X #6 JIC FEM 90
2	H6371270	1	HYDRAULIC HOSE	1270mm OAL, #6 2 WIRE, #6 JIC FEM X #6 JIC FEM 90
3	H6370685	1	HYDRAULIC HOSE	685mm OAL, #6 2 WIRE, #6 JIC FEM X #6 JIC FEM 90
4	H6370508	1	HYDRAULIC HOSE	508mm OAL, #6 2 WIRE, #6 JIC FEM X #6 JIC FEM 90

*All manufacturers names, numbers, marks, trademarks and symbols and descriptions are used for reference purposes only. Use of parts not supplied from the original manufacturer on machines under manufacturer warranty could potentially void your manufacturer warranty. Machined parts are built by Axis, not the original manufacturer.

623C Tilt Pin Greasing



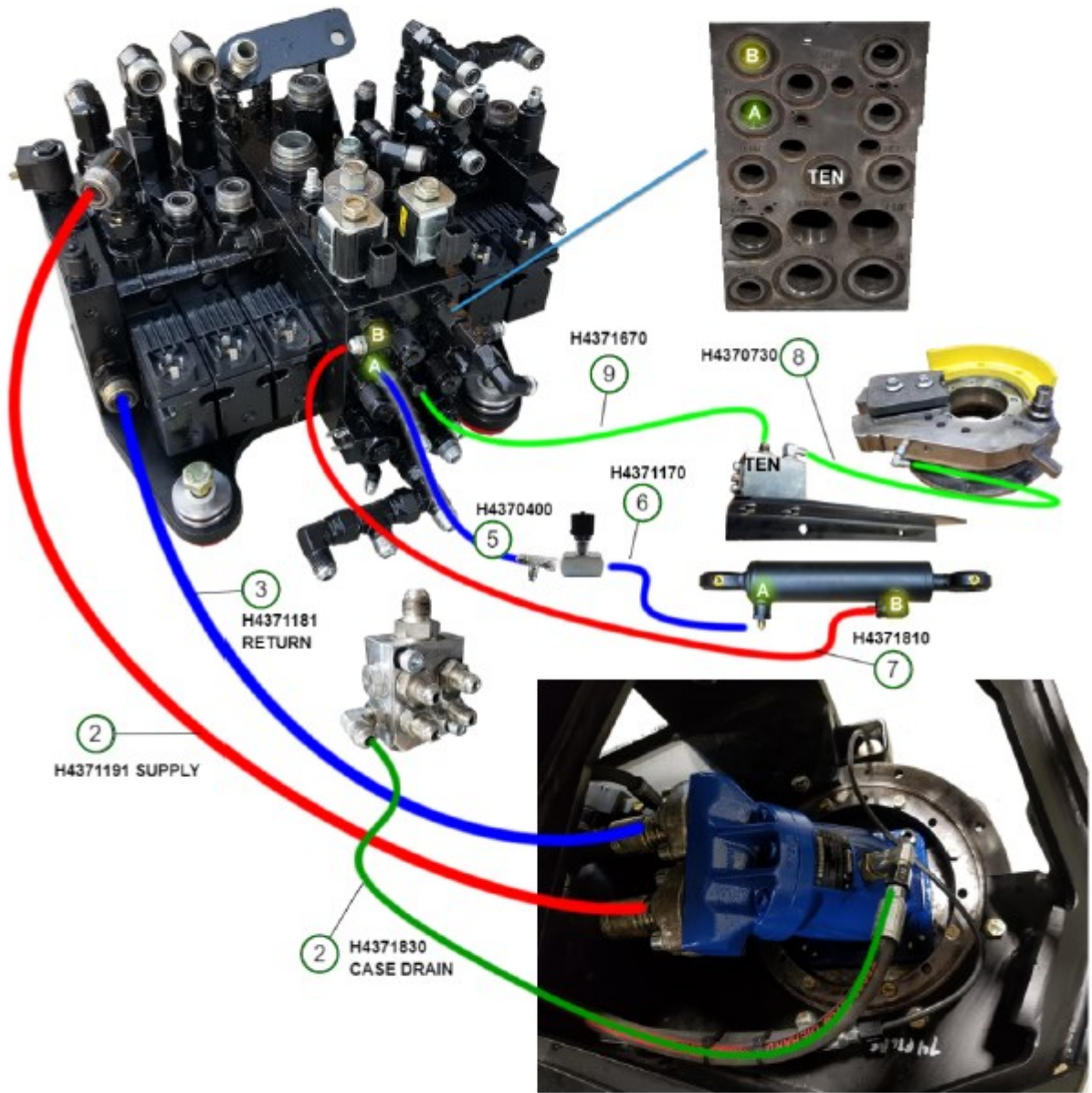
*All manufacturers names, numbers, marks, trademarks and symbols and descriptions are used for reference purposes only. Use of parts not supplied from the original manufacturer on machines under manufacturer warranty could potentially void your manufacturer warranty. Machined parts are built by Axis, not the original manufacturer.

623C Tilt Pin Greasing

No.	Axis Part No	Qty	Description	Notes
1	MS180160	1	BANJO SCREW	
2	HF180803	1	LUBE HOSE BANJO X #4 JIC FEMALE	
3	HF2040-4-2	1	FITTING - #4 JIC MALE X #2 BSP MALE	
4	BSP2	3	BONDED SEAL - #2 (1/8")	
5	GFZ6	1	M6 GREASE FITTING	

*All manufacturers names, numbers, marks, trademarks and symbols and descriptions are used for reference purposes only. Use of parts not supplied from the original manufacturer on machines under manufacturer warranty could potentially void your manufacturer warranty. Machined parts are built by Axis, not the original manufacturer.

623C Main Saw Hoses



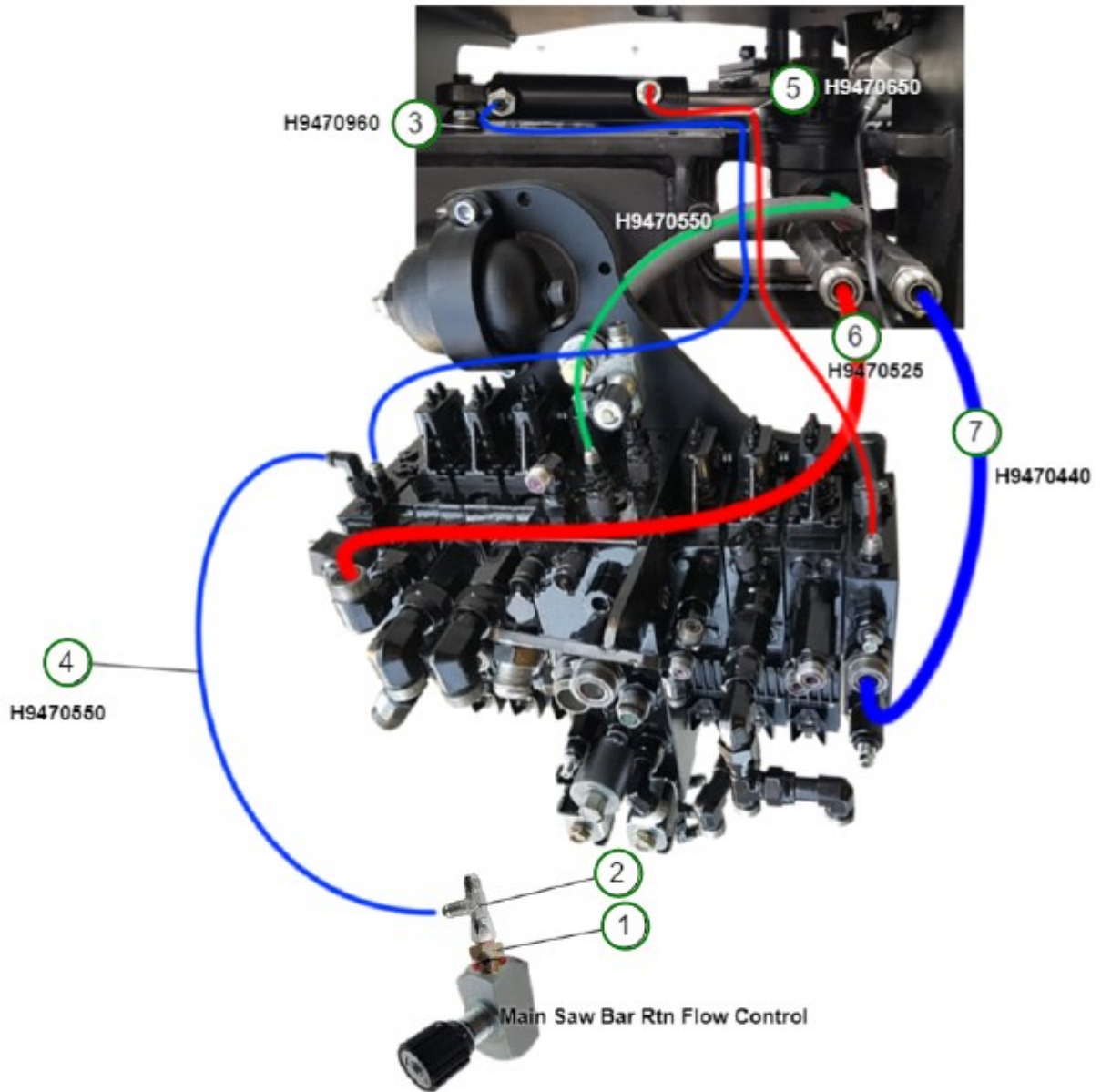
*All manufacturers names, numbers, marks, trademarks and symbols and descriptions are used for reference purposes only. Use of parts not supplied from the original manufacturer on machines under manufacturer warranty could potentially void your manufacturer warranty. Machined parts are built by Axis, not the original manufacturer.

623C Main Saw Hoses

No.	Axis Part No	Qty	Description	Notes
1	HV995006	1	THROTTLE VALVE	
2	H4371191	1	HYDRAULIC HOSE	1191mm OAL, #12 4 WIRE, #12 CODE 62 X #12 ORFS FEM
3	H4371181	1	HYDRAULIC HOSE	1181mm OAL, #12 4 WIRE, #12 CODE 62 X #12 ORFS FEM
4	H4371830	1	HYDRAULIC HOSE	1830mm OAL, #6 2 WIRE, #6 JIC FEM X #6 JIC FEM
5	H4370400	1	HYDRAULIC HOSE	400mm OAL, #6 2 WIRE, #6 JIC FEM X #6 JIC FEM 90
6	H4371170	1	HYDRAULIC HOSE	1170mm OAL, #6 2 WIRE, #6 JIC FEM X #6 JIC FEM 45
7	H4371810	1	HYDRAULIC HOSE	1810mm OAL, #6 2 WIRE, #6 JIC FEM X #6 JIC FEM
8	H4370730	1	HYDRAULIC HOSE	730mm OAL, #4 BRAIDED FIBRE, #4 JIC FEM X #4 JIC FEM
9	H4371670	1	HYDRAULIC HOSE	1670mm OAL, #4 1 WIRE, #4 JIC FEM X #4 JIC FEM 90

*All manufacturers names, numbers, marks, trademarks and symbols and descriptions are used for reference purposes only. Use of parts not supplied from the original manufacturer on machines under manufacturer warranty could potentially void your manufacturer warranty. Machined parts are built by Axis, not the original manufacturer.

623C Top Saw Hoses



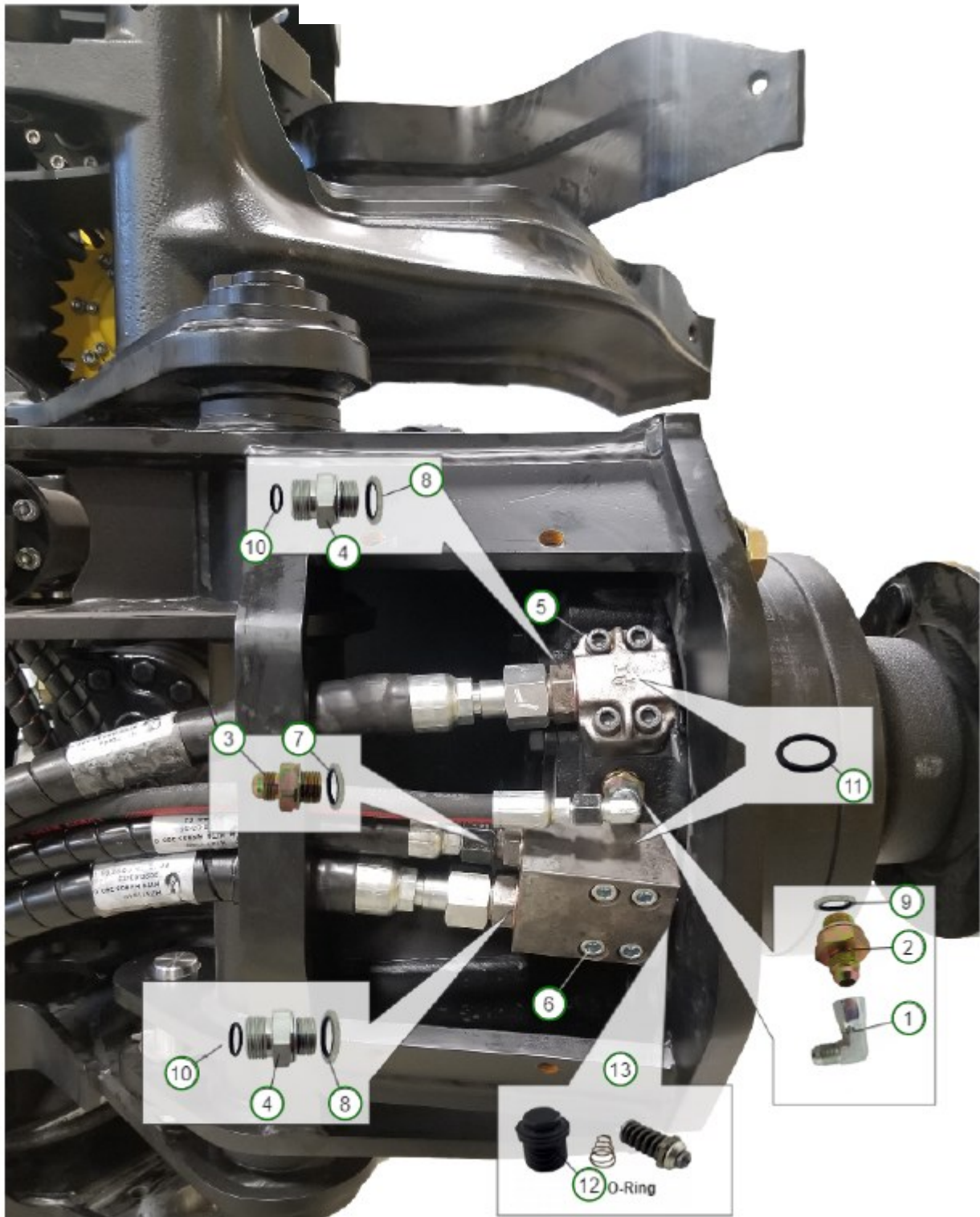
*All manufacturers names, numbers, marks, trademarks and symbols and descriptions are used for reference purposes only. Use of parts not supplied from the original manufacturer on machines under manufacturer warranty could potentially void your manufacturer warranty. Machined parts are built by Axis, not the original manufacturer.

623C Top Saw Hoses

No.	Axis Part No	Qty	Description	Notes
1	HF2040-6-4	1	FITTING - #6 JIC MLE X #4 BSP MALE	
2	HF202030-6-6-6	1	FITTING - TEE #6 JIC M/M/F	
3	H9470960	1	HYDRAULIC HOSE	960mm OAL, #6 2 WIRE, #6 JIC FEM X #6 JIC FEM 90
4	H9470550	1	HYDRAULIC HOSE	550mm OAL, #6 2 WIRE, #6 JIC FEM X #6 JIC FEM
5	H9470650	1	HYDRAULIC HOSE	650mm OAL, #6 2 WIRE, #6 JIC FEM X #6 JIC FEM 90
6	H9470525	1	HYDRAULIC HOSE	525mm OAL, #12 4 WIRE, #12 ORFS FEM X #12 ORFS FEM 90
7	H9470440	1	HYDRAULIC HOSE	440mm OAL, #12 2 WIRE, #12 ORFS FEM X #12 ORFS FEM 90

*All manufacturers names, numbers, marks, trademarks and symbols and descriptions are used for reference purposes only. Use of parts not supplied from the original manufacturer on machines under manufacturer warranty could potentially void your manufacturer warranty. Machined parts are built by Axis, not the original manufacturer.

623C Outer Feed Motor Fittings



*All manufacturers names, numbers, marks, trademarks and symbols and descriptions are used for reference purposes only. Use of parts not supplied from the original manufacturer on machines under manufacturer warranty could potentially void your manufacturer warranty. Machined parts are built by Axis, not the original manufacturer.

623C Outer Feed Motor Fittings

No.	Axis Part No	Qty	Description	Notes
1	HF2939-6-6	1	FITTING - #6 JIC MALE X #6 JIC FEMALE 90 DEG	
2	HF2091-6-18	1	FITTING - #6 JIC MALE X M18 X 1.5 MALE	
3	HF2040-8-8	1	FITTING - #8 JIC MALE X #8 BSP MALE	
4	HF4060-12-12	1	FITTING - #12 BSP MALE X #12 ORFS MALE	
5	GFB81045	4	BOLT - M10 X 45MM SOCKET HEAD	
6	GFB81055	4	BOLT - M10 X 55MM SOCKET HEAD	
7	BSP8	1	BONDED SEAL - #8 (1/2")	
8	BSP12	2	BONDED SEAL - #12 (3/4")	
9	BSP18M	1	BONDED SEAL - M18	
10	R24327C	1	O-RING	
11	R24523C	1	O-RING	
12	T235395C	1	O-RING	
13	HV292320	1	SHOCK VALVE - 320 BAR	

*All manufacturers names, numbers, marks, trademarks and symbols and descriptions are used for reference purposes only. Use of parts not supplied from the original manufacturer on machines under manufacturer warranty could potentially void your manufacturer warranty. Machined parts are built by Axis, not the original manufacturer.

623C Fixed Motor Fittings



- 1 Fitting
- 4 O-Ring
- 5 Bonded Seal
- 2 90 Deg Fitting
- 4 O-Ring
- 7 O-Ring to fit BSP threads
- 3 Fitting
- 6 O-Ring



- 1 Fitting
- 4 O-Ring
- 5 Bonded Seal
- 2 Fitting
- 4 O-Ring
- 7 O-Ring to fit BSP threads
- 3 Fitting
- 6 O-Ring

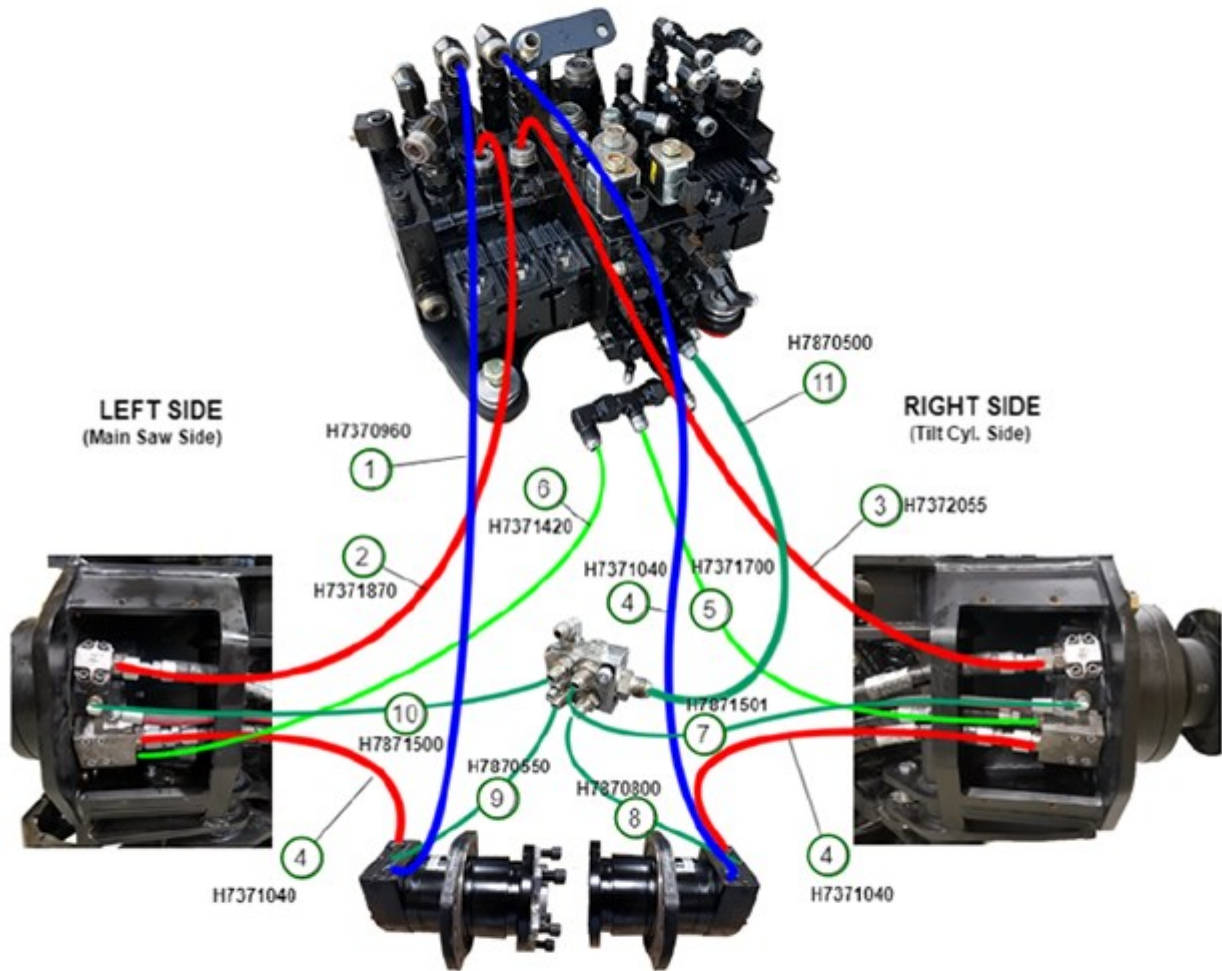
*All manufacturers names, numbers, marks, trademarks and symbols and descriptions are used for reference purposes only. Use of parts not supplied from the original manufacturer on machines under manufacturer warranty could potentially void your manufacturer warranty. Machined parts are built by Axis, not the original manufacturer.

623C Fixed Motor Fittings

No.	Axis Part No	Qty	Description	Notes
1	HF4060-16-12	1	FITTING - #16 BSP MALE X #12 ORFS MALE	
2	HF4969-16-12	1	FITTING - #16 BSP MALE X #12 ORFS MALE 90	
3	HF2949-6-4	1	FITTING - #6 JIC X #4 MBSP 90 DEGREE	
4	R24327C	2	O-RING	
5	BSP16	1	BONDED SEAL - #6 (1")	
6	R24420C	1	O-RING	
7	R24526C	2	O-RING	

*All manufacturers names, numbers, marks, trademarks and symbols and descriptions are used for reference purposes only. Use of parts not supplied from the original manufacturer on machines under manufacturer warranty could potentially void your manufacturer warranty. Machined parts are built by Axis, not the original manufacturer.

623C Feed Motor Hoses

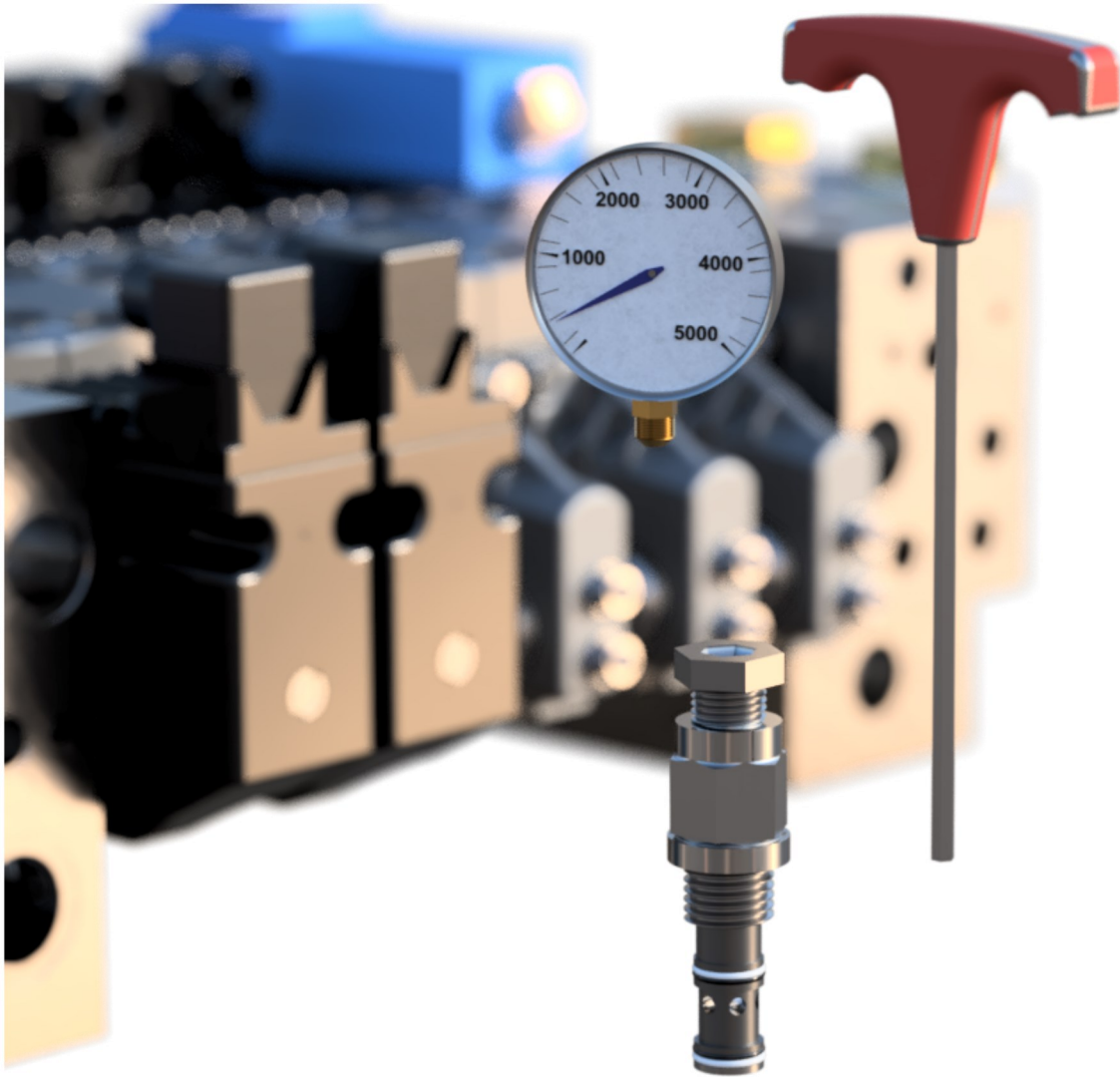


*All manufacturers names, numbers, marks, trademarks and symbols and descriptions are used for reference purposes only. Use of parts not supplied from the original manufacturer on machines under manufacturer warranty could potentially void your manufacturer warranty. Machined parts are built by Axis, not the original manufacturer.

623C Feed Motor Hoses

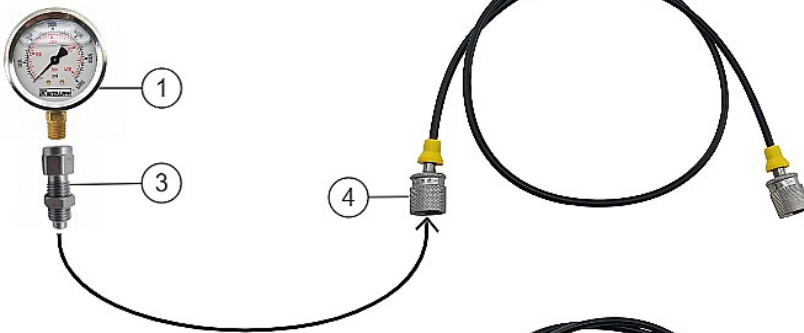
No.	Axis Part No	Qty	Description	Notes
1	H7370960	1	HYDRAULIC HOSE	960mm OAL, #12 4 WIRE, #12 ORFS FEM X #12 ORFS FEM 90
2	H7371870	1	HYDRAULIC HOSE	1870mm OAL, #12 4 WIRE, #12 ORFS FEM X #12 ORFS FEM 90
3	H7372055	1	HYDRAULIC HOSE	2055mm OAL, #12 4 WIRE, #12 ORFS FEM X #12 ORFS FEM 90
4	H7371040	1	HYDRAULIC HOSE	1040mm OAL, #12 4 WIRE, #12 ORFS FEM X #12 ORFS FEM 90
5	H7371501	1	HYDRAULIC HOSE	1501mm OAL, #6 2 WIRE, #6 JIC FEM X #6 JIC FEM 90
6	H7371420	1	HYDRAULIC HOSE	1420mm OAL, #8 2 WIRE, #8 JIC FEM X #8 JIC FEM
7	H7871501	1	HYDRAULIC HOSE	1501mm OAL, #6 2 WIRE, #6 JIC FEM X #6 JIC FEM 90
8	H7870800	1	HYDRAULIC HOSE	800mm OAL, #6 2 WIRE, #6 JIC FEM X #6 JIC FEM 90
9	H7870550	1	HYDRAULIC HOSE	550mm OAL, #6 2 WIRE, #6 JIC FEM X #6 JIC FEM 90
10	H7871500	1	HYDRAULIC HOSE	1500mm OAL, #6 2 WIRE, #6 JIC FEM X # 6 JIC FEM
11	H7870500	1	HYDRAULIC HOSE	500mm OAL, #8 2 WIRE, #8 JIC FEM X #8 JIC FEM 90

*All manufacturers names, numbers, marks, trademarks and symbols and descriptions are used for reference purposes only. Use of parts not supplied from the original manufacturer on machines under manufacturer warranty could potentially void your manufacturer warranty. Machined parts are built by Axis, not the original manufacturer.

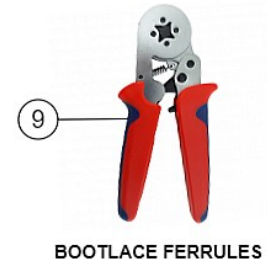
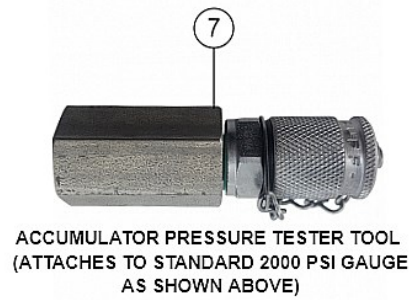
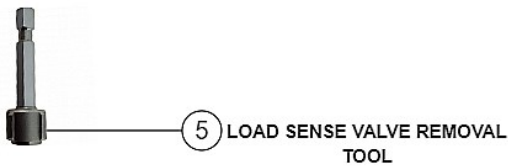
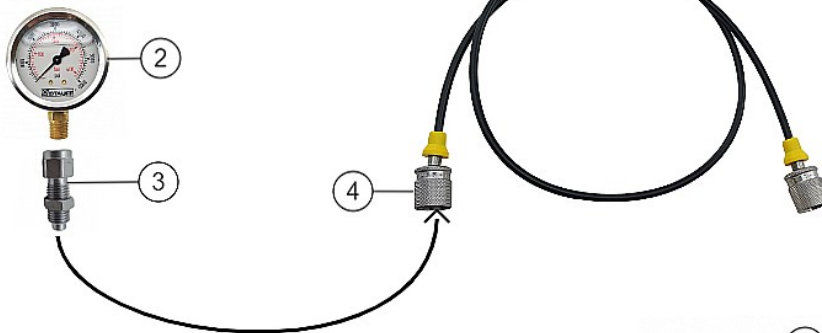


TOOLS & KITS

2000 PSI



6000 PSI



*All manufacturers names, numbers, marks, trademarks and symbols and descriptions are used for reference purposes only. Use of parts not supplied from the original manufacturer on machines under manufacturer warranty could potentially void your manufacturer warranty. Machined parts are built by Axis, not the original manufacturer.

Axis Tools



No.	Axis Part No	Qty	Description	Notes
1	HF14TP-2000	1	2000 PSI GAUGE	
2	HF14TP-6000	1	6000 PSI GAUGE	
3	HF14TPA	1	TEST PORT HOSE ADAPTER TO #4 FNPT	
4	HF14TPH	1	TEST PORT HOSE 36"	
5	HV290905T	1	LOAD SENSE VALVE REMOVAL TOOL	
6	MS345149	1	CHECK VALVE ALLEN KEY	
7	MW103538	1	GAUGE ADAPTER FITTING	
8	MS345011	1	TOOL - SUPERCUT MAIN SAW CHECK VALVE REMOVAL	
9	EP750100	1	CRIMP TOOL - BOOTLACE FERRULES	
10	EP910150	1	DEUTSCH CRIMP TOOL 16 GAUGE	
11	EP905005	1	DEUTSCH PULLER RED	
12	EP910151	1	DEUTSCH CRIMP TOOL 20 GAUGE	

*All manufacturers names, numbers, marks, trademarks and symbols and descriptions are used for reference purposes only. Use of parts not supplied from the original manufacturer on machines under manufacturer warranty could potentially void your manufacturer warranty. Machined parts are built by Axis, not the original manufacturer.

Axis Kits



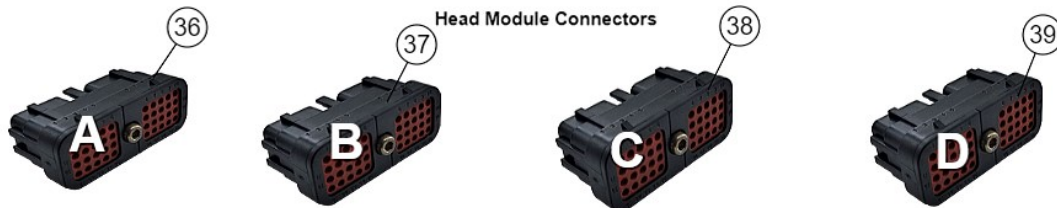
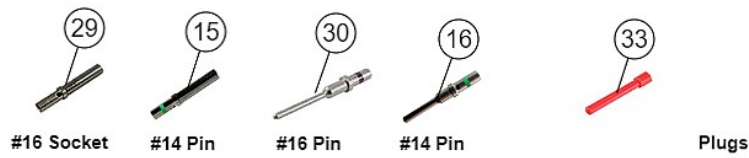
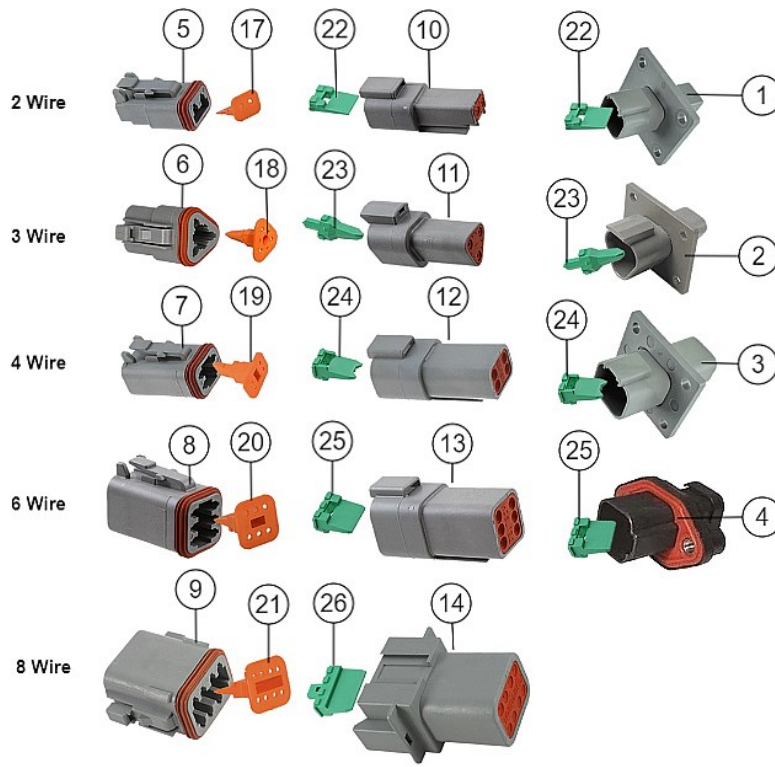
*All manufacturers names, numbers, marks, trademarks and symbols and descriptions are used for reference purposes only. Use of parts not supplied from the original manufacturer on machines under manufacturer warranty could potentially void your manufacturer warranty. Machined parts are built by Axis, not the original manufacturer.

Axis Kits

No.	Axis Part No	Qty	Description	Notes
1	EP910152	1	DEUTSCH SERVICE KIT	
2	ORK2016	1	COMMON O-RING KIT	
3	HP480100	1	HANDLE KIT - DANFOSS HANDLES	INCLUDES POTENTIOMETER
4	HP480101	1	HANDLE KIT - DANFOSS HANDLES	LESS POTENTIOMETER
5	GFW100	1	ANTI-VIBRATION LOCKWASHER KIT 1/4"-3/4"	

*All manufacturers names, numbers, marks, trademarks and symbols and descriptions are used for reference purposes only.
Use of parts not supplied from the original manufacturer on machines under manufacturer warranty could potentially void your
manufacturer warranty. Machined parts are built by Axis, not the original manufacturer.

Deutsch Parts



*All manufacturers names, numbers, marks, trademarks and symbols and descriptions are used for reference purposes only. Use of parts not supplied from the original manufacturer on machines under manufacturer warranty could potentially void your manufacturer warranty. Machined parts are built by Axis, not the original manufacturer.

Deutsch Parts

No.	Axis Part No	Qty	Description	Notes
1	EP100215	1	2 WIRE FLANGE MOUNT RECEPTACLE	
2	EP100209	1	3 WIRE FLANGE MOUNT RECEPTACLE	
3	EP100210	1	4 WIRE FLANGE MOUNT RECEPTACLE	
4	EP100211	1	6 WIRE FLANGE MOUNT RECEPTACLE	
5	EP910172	1	2 WIRE PLUG	
6	EP910173	1	3 WIRE PLUG	
7	EP910174	1	4 WIRE PLUG	
8	EP910176	1	6 WIRE PLUG	
9	EP910178	1	8 WIRE PLUG	
10	EP910132	1	2 WIRE RECEPTACLE	
11	EP910133	1	3 WIRE RECEPTACLE	
12	EP910134	1	4 WIRE RECEPTACLE	
13	EP910136	1	6 WIRE RECEPTACLE	
14	EP910138	1	8 WIRE RECEPTACLE	
15	EP910208	1	DEUTSCH SOCKER TERMINAL #14	FOR LARGER GAUGE WIRES
16	EP910209	1	DEUTSCH SOCKER TERMINAL #14	FOR LARGER GAUGE WIRES
17	EP920201	1	ORANGE WEDGELOCK FOR 2 WIRE PLUG	
18	EP920301	1	ORANGE WEDGELOCK FOR 3 WIRE PLUG	
19	EP920401	1	ORANGE WEDGELOCK FOR 4 WIRE PLUG	
20	EP920601	1	ORANGE WEDGELOCK FOR 6 WIRE PLUG	
21	EP920801	1	ORANGE WEDGELOCK FOR 8 WIRE PLUG	
22	EP920202	1	GREEN WEDGELOCK FOR 2 WIRE RECEPTACLE	
23	EP920302	1	GREEN WEDGELOCK FOR 3 WIRE RECEPTACLE	
24	EP920402	1	GREEN WEDGELOCK FOR 4 WIRE RECEPTACLE	
25	EP920602	1	GREEN WEDGELOCK FOR 6 WIRE RECEPTACLE	
26	EP920802	1	GREEN WEDGELOCK FOR 8 WIRE RECEPTACLE	
27	EP910220	1	SOCKET TERMINAL #20	
28	EP910221	1	PIN TERMINAL #20	
29	EP910210	1	SOCKET TERMINAL #16	
30	EP910211	1	PIN TERMINAL #16	
31	EP910151	1	CRIMP TOOL 20 GAUGE	
32	EP910150	1	CRIMP TOOL 16 GAUGE	
33	EP910320	1	SEAL PLUG #20 RED	
34	EP910316	1	SEAL PLUG #16 WHITE	
35	EP905005	1	DEUTSCH PULLER RED	
36	EP910326A	1	DEUTSCH PLUG "A KEY"	
37	EP910326B	1	DEUTSCH PLUG "B KEY"	
38	EP910326C	1	DEUTSCH PLUG "C KEY"	
39	EP910326D	1	DEUTSCH PLUG "D KEY"	

*All manufacturers names, numbers, marks, trademarks and symbols and descriptions are used for reference purposes only. Use of parts not supplied from the original manufacturer on machines under manufacturer warranty could potentially void your manufacturer warranty. Machined parts are built by Axis, not the original manufacturer.

O-Rings

							
FITTING SIZE	ORFS FLAT FACE	ORB O-RING BOSS	BSP BONDED SEAL	BSP CAPTIVE SEAL	BSP O-RING W/BACKNUT	CODE 61 FLANGE	CODE 62 FLANGE
1/8" -2			BSP2	ED2	T154417C		
1/4" -4	R24320C	ORB3-904	BSP4	ED4	R24420C		
3/8" -6	R24321C	ORB3-906	BSP6	ED6	R24422C		
1/2" -8	R24323C	ORB3-908	BSP8	ED8	R249479C		
5/8" -10	R24325C	ORB3-910	BSP10	ED10	ORB3-910		
3/4" -12	R24327C	ORB3-912	BSP12	ED12	T314479C		R24523C
1" -16	R24330C	ORB3-916	BSP16	ED16	R24526C		R24528C
1-1/4" -20	R24334C		BSP20	ED20		R24531C	

METRIC

M6			BSP6M				
M18			BSP18M				

Plugs and Caps



ORFS FLAT FACE

ORB O-RING BOSS

BSPP

JIC

	ORFS FLAT FACE		ORB O-RING BOSS		BSPP		JIC	
1/8" -2			PLUG	HF80-2				
1/4" -4	CAP	HF70-4	PLUG	HF80-4	CAP	HF50-4	CAP	HF30-4
	PLUG	HF60-4			PLUG	HF40-4	PLUG	HF20-4
3/8" -6	CAP	HF70-6	PLUG	HF80-6	CAP	HF50-6	CAP	HF30-6
	PLUG	HF60-6			PLUG	HF40-6	PLUG	HF20-6
1/2" -8	CAP	HF70-8	PLUG	HF80-8	CAP	HF50-8	CAP	HF30-8
	PLUG	HF60-8			PLUG	HF40-8	PLUG	HF20-8
5/8" -10	CAP	HF70-10	PLUG	HF80-10	CAP	HF50-10	CAP	HF30-10
	PLUG	HF60-10			PLUG	HF40-10	PLUG	HF20-10
3/4" -12	CAP	HF70-12	PLUG	HF80-12	CAP	HF50-12	CAP	HF30-12
	PLUG	HF60-12			PLUG	HF40-12	PLUG	HF20-12
1" -16	CAP	HF70-16			CAP	HF50-16	CAP	HF30-16
	PLUG	HF60-16			PLUG	HF40-16	PLUG	HF20-16
1-1/4"	CAP	HF70-20					CAP	HF30-20
	PLUG	HF60-20					PLUG	HF20-20

623C/616C MASTER KIT SK227623

UPDATED June 19, 2023

Serial 616C -471, 623C -566

PART No.	TOTAL	PVG100 END MANIFOLD	PVG100 SECTIONS	INLET MANIFOLDS - 566	PVG32 SECTIONS	PVG32 END MANIFOLD	NOTES
SK228002	1			1			TIE ROD & BETWEEN SEC SEAL KIT FOR PVG32
SK280023	1			1			TIE ROD & BETWEEN SEC SEAL KIT FOR PVG100
PK816232A	1	1					PLUG KIT PVG100 END MANIFOLD
PK816231A	1					1	PLUG KIT PVG32 END MANIFOLD
PK816230A	1			1			PLUG KIT INLET MANIFOLD
BSP12	11	1	8	1		1	BONDED SEAL #12 FOR FITTING
BSP16	1			1			BONDED SEAL #16 FOR SUPPLY FITTING
BSP20	1			1			BONDED SEAL #20 FOR RETURN FITTING
BSP4	10	2		5		3	BONDED SEAL #4 FOR FITTING
BSP6	5	2		2		1	BONDED SEAL #6 FOR FITTING
BSP8	20			6	14		BONDED SEAL #8 FOR FITTING
ED4	18	4		10		4	CONICAL SEAL FOR TEST PORTS 1/4" BSP
ORB3-910	3		3				PVG100 MANIFOLD COMPENSATOR HEX PLUG
R24321C	8			3	5		#6 O-RING FACE
R24323C	12			2	10		#8 O-RING FACE
R24327C	13	2	10			1	#12 ORING FACE
R24329C	1			1			O-RING MAIN PRV
R24330C	1			1			#16 O-RING FACE
R24420C	2			2			O-RING, 90 DEGREE FITTINGS
SK223173	6		3		3		MANUAL ACTUATOR CAPS
SK224033	6		3		3		COILS
SK224033-B	6		3		3		COILS INTERNAL, SERIES 4 TYPE ONLY (BLACK PLASTIC CASE)
SK350792	3			3			MEASURING PRV, PILOT PRV, TENSION PRV
SK350824	0						SHUTTLE VALVE SEAL KIT
SK350826	0						SEAL KIT FCFLT, TLTREL
SK351714	2			1		1	TOP SAW BAR SPEED VALVE, TILT LOCK VALVE,
SK351715	2	1		1			TOP SAW RTN, PULSE OILER,
SK351716	2			2			MAIN SAWBAR PROPORTIONAL, SECONDARY PRV,
SK351717	3			2		1	OILER DIRECTION VALVE, M.SAW CYLINDER, MEASURING ON/OFF
SK700341	6				6		LOAD SENSE VALVE SEAL KIT
T264367C	3				3		COMPENSATOR O-RING PVG32 MANIFOLDS
T235395C	12		6		6		PVG100 & TILT SHOCK VALVES

623C/616C MASTER KIT SK227623				UPDATED June 19, 2023			
Serial 616C 472+, 623C 567+							
PART No.	TOTAL	PVG100 END MAN. 567+	PVG100 SECTIONS	INLET MANIFOLDS 567+	PVG32 SECTIONS	PVG32 END MAN. 567+	NOTES
SK228002	1			1			TIE ROD & BETWEEN SEC SEAL KIT FOR PVG32
SK280023	1			1			TIE ROD & BETWEEN SEC SEAL KIT FOR PVG100
BSP12	11	1	8	1		1	BONDED SEAL #12 FOR FITTING
BSP16	1			1			BONDED SEAL #16 FOR SUPPLY FITTING
BSP20	1			1			BONDED SEAL #20 FOR RETURN FITTING
BSP4	22	5		12		5	BONDED SEAL #4 FOR FITTING
BSP6	4	2		1		1	BONDED SEAL #6 FOR FITTING
BSP8	20			6	14		BONDED SEAL #8 FOR FITTING
ED2	1			1			CONICAL SEAL FOR TEST PORTS 1/8" BSP
ED4	11	2		7		2	CONICAL SEAL FOR TEST PORTS 1/4" BSP
ORB3-910	3		3				PVG100 MANIFOLD COMPENSATOR HEX PLUG
R24321C	8	3			5		#6 O-RING FACE
R24323C	11			1	10		#8 O-RING FACE
R24327C	12	1	10			1	#12 O-RING FACE
R24329C	1			1			O-RING MAIN PRV
R24330C	1			1			#16 O-RING FACE
SK223173	6		3		3		MANUAL ACTUATOR CAPS
SK224033	6		3		3		COILS
SK224033-B	6		3		3		COILS INTERNAL, SERIES 4 TYPE ONLY (BLACK PLASTIC CASE)
SK350792	3			3			MEASURING PRV, PILOT PRV, TENSION PRV
SK350824	1			1			SHUTTLE VALVE SEAL KIT
SK350826	2	2					SEAL KIT FCFLT, TLTREL
SK351714	2	1				1	TOP SAW BAR SPEED VALVE, TILT LOCK VALVE,
SK351715	2	1		1			TOP SAW RTN, PULSE OILER,
SK351716	2			2			MAIN SAWBAR PROPORTIONAL, SECONDARY PRV,
SK351717	3			2		1	OILER DIRECTION VALVE, M.SAW CYLINDER, MEASURING ON/OFF
SK700341	6				6		LOAD SENSE VALVE SEAL KIT
T264367C	3				3		COMPENSATOR O-RING PVG32 MANIFOLDS
T235395C	12		6		6		PVG100 & TILT SHOCK VALVES
T259417A	1			1			O-RING FOR ZERO LEAK PLUG

AXIS

FORESTRY INC

Axis Forestry Inc.

Kamloops, BC, Canada

Post Falls, ID, U.S.A.

Toll Free North America: 1-888-678-2947

Local: 1-778-471-2947

www.axisforestry.com

Email: parts@axisforestry.com